

US00D782338S

(12) **United States Design Patent**
White et al.

(10) **Patent No.:** **US D782,338 S**
(45) **Date of Patent:** **** Mar. 28, 2017**

(54) **WATCH**
(71) Applicant: **Nixon, Inc.**, Encinitas, CA (US)
(72) Inventors: **Tyson White**, Encinitas, CA (US); **Joe Babcock**, Encinitas, CA (US); **Franck Juvin**, Encinitas, CA (US)
(73) Assignee: **NIXON, INC.**, Encinitas, CA (US)

D698,268 S * 1/2014 Mijatovic D10/32
8,689,446 B2 * 4/2014 Cataldo G04B 37/22
29/896.33
D705,671 S * 5/2014 Mijatovic D10/32
D710,730 S * 8/2014 Delhotal D10/124
D743,827 S * 11/2015 Prince D10/122
D748,995 S * 2/2016 Babcock D10/30
D750,505 S * 3/2016 Cerrato D10/30
D764,318 S * 8/2016 Kauffmann D10/30

(**) Term: **15 Years**
(21) Appl. No.: **29/547,560**
(22) Filed: **Dec. 4, 2015**

(51) **LOC (10) Cl.** **10-02**
(52) **U.S. Cl.**
USPC **D10/39**
(58) **Field of Classification Search**
USPC D10/1-29, 30-39, 122-132
CPC .. G04B 37/18; G04B 37/081; G04B 37/0058;
G04B 37/0008; G04B 37/082; G04B
19/06; G04B 19/065; G04B 19/10; G04B
19/12; G04B 19/24; G04B 19/26; G04B
19/268; G04B 19/30; G04G 17/08; G04G
17/083

See application file for complete search history.

(56) **References Cited**

U.S. PATENT DOCUMENTS

D519,851 S * 5/2006 Seyr D10/31
D555,519 S * 11/2007 Borraccino D10/39
D562,156 S * 2/2008 Pozzan D10/39
D614,510 S * 4/2010 Cooney D10/22
D656,044 S * 3/2012 Favre D10/38
D685,280 S * 7/2013 Muller D10/126
D694,656 S * 12/2013 Inoue D10/38

FOREIGN PATENT DOCUMENTS

CH 695469 A5 * 5/2006 G04B 5/08
CH EP 2138323 A1 * 12/2009 B21J 1/006

* cited by examiner

Primary Examiner — Sheryl Lane
Assistant Examiner — Samantha Wood
(74) *Attorney, Agent, or Firm* — Torrey Pines Law Group, PC; Kevin Buckley

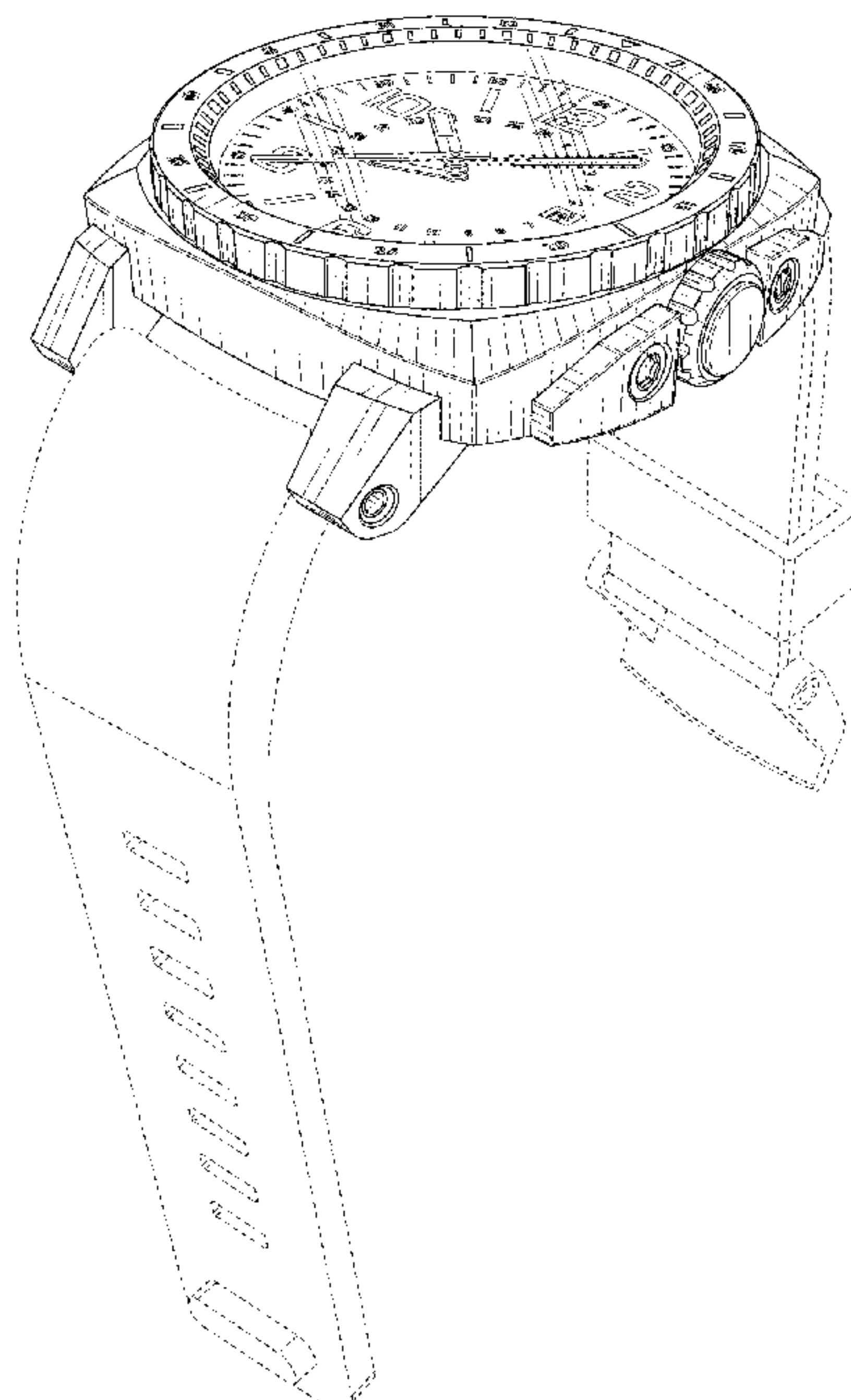
(57) **CLAIM**

What is claimed is the ornamental design for a watch, as shown and described.

DESCRIPTION

FIG. 1 is a front right perspective view of a watch showing our new design;
FIG. 2 is a front elevated view thereof;
FIG. 3 is a back elevated view thereof;
FIG. 4 is a left side view thereof;
FIG. 5 is a right side view thereof;
FIG. 6 is a top view thereof; and,
FIG. 7 is a bottom view thereof.
The broken line showing of the watch band is included for the purpose of illustrating the environmental structure and forms no part of the claimed design.

1 Claim, 5 Drawing Sheets



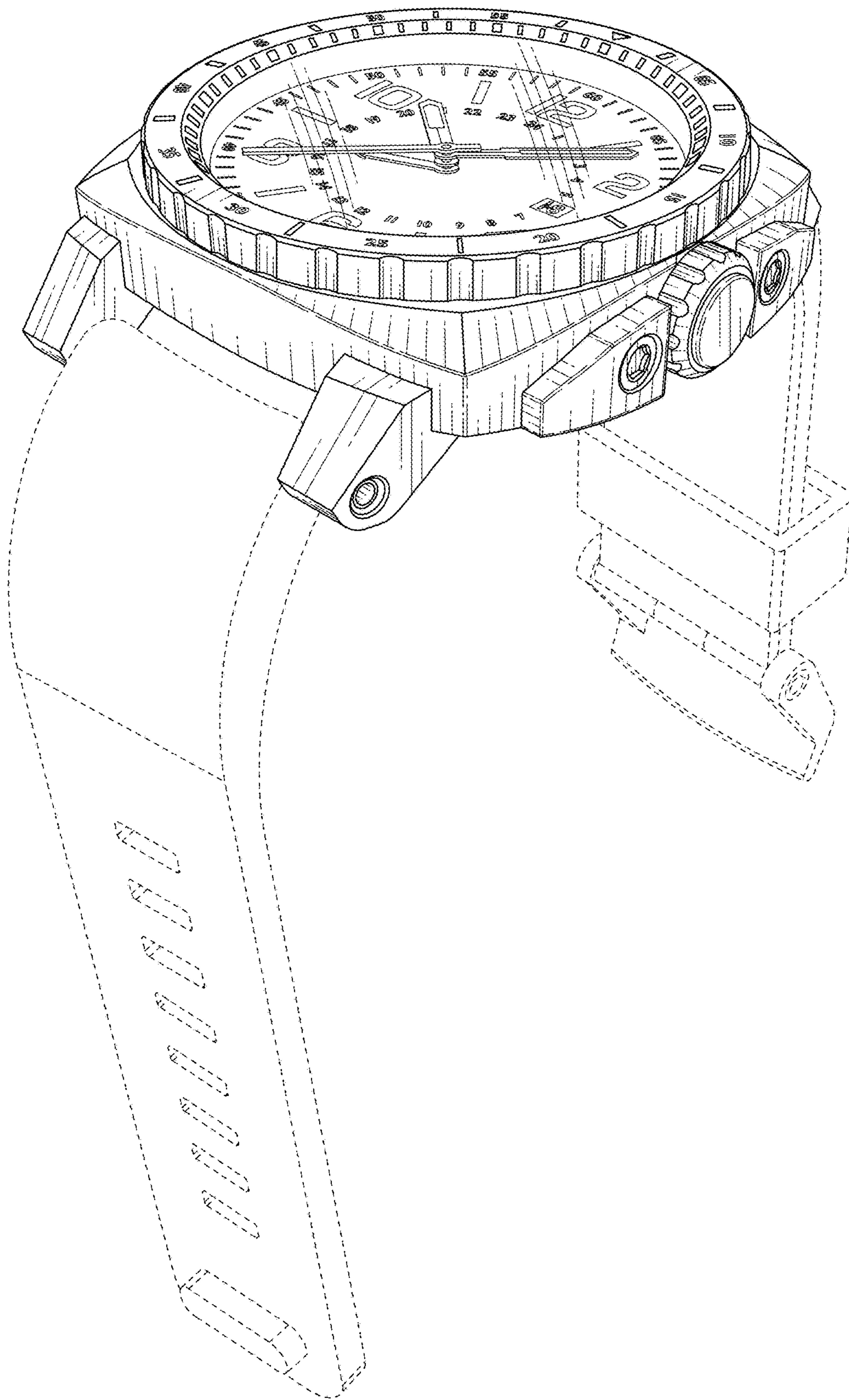


FIG. 1

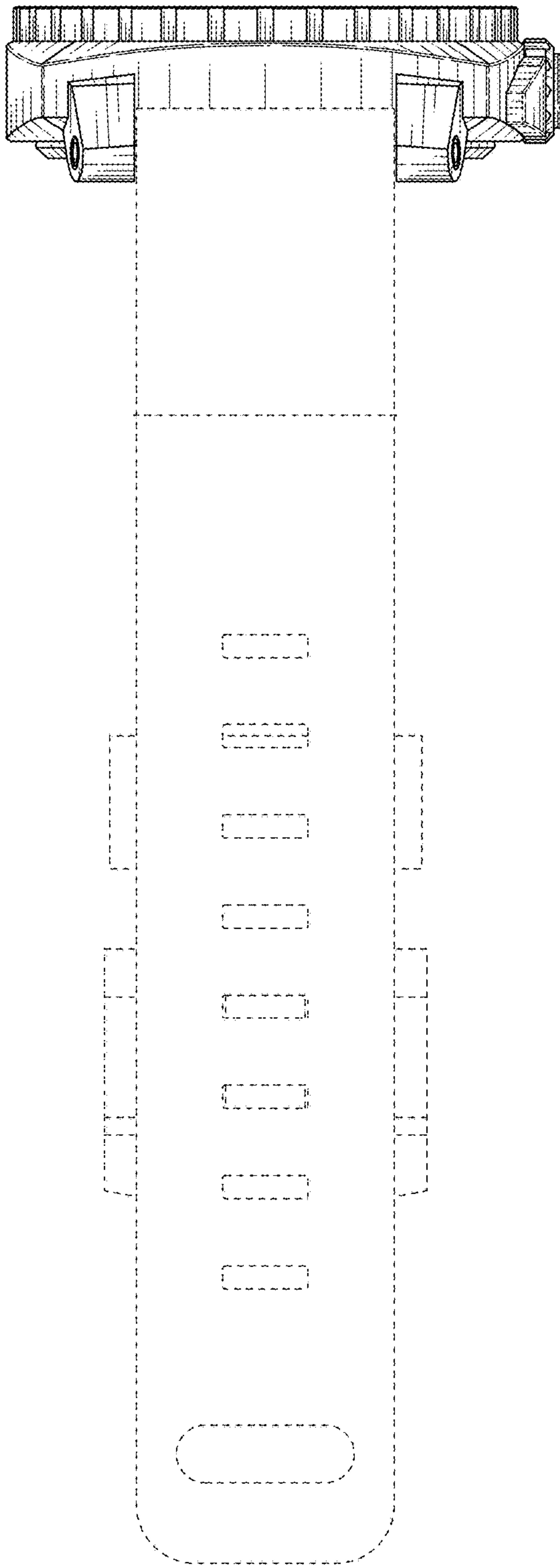


FIG. 2

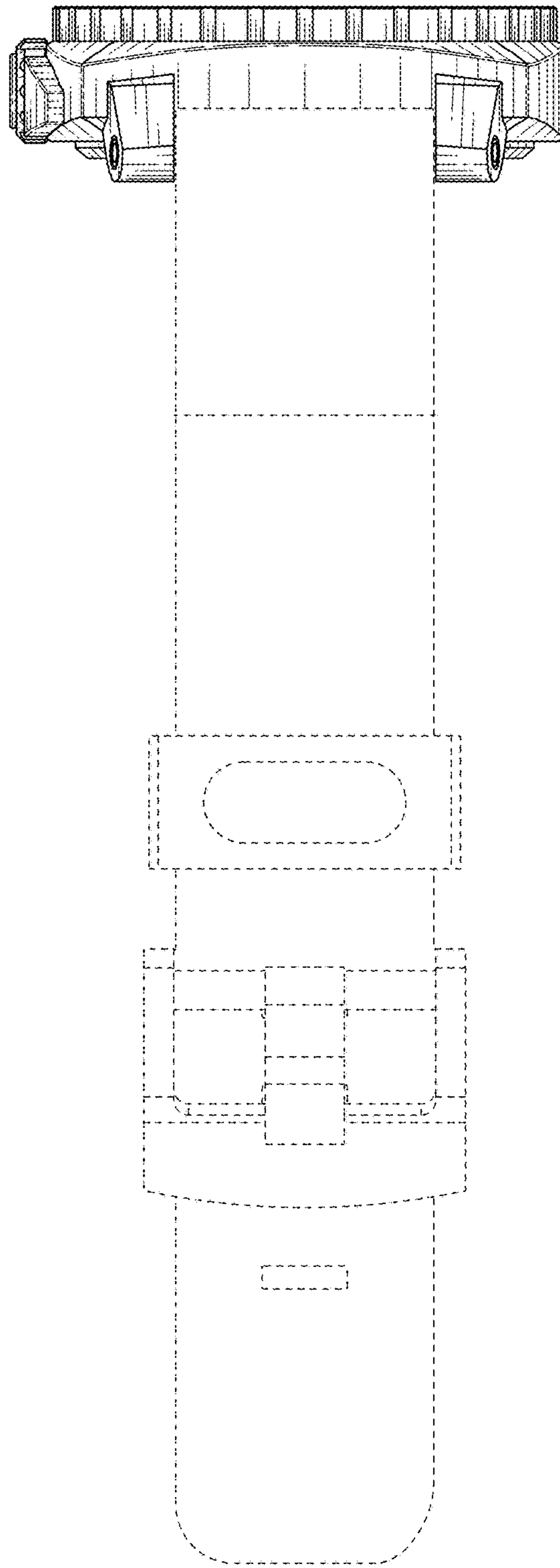


FIG. 3

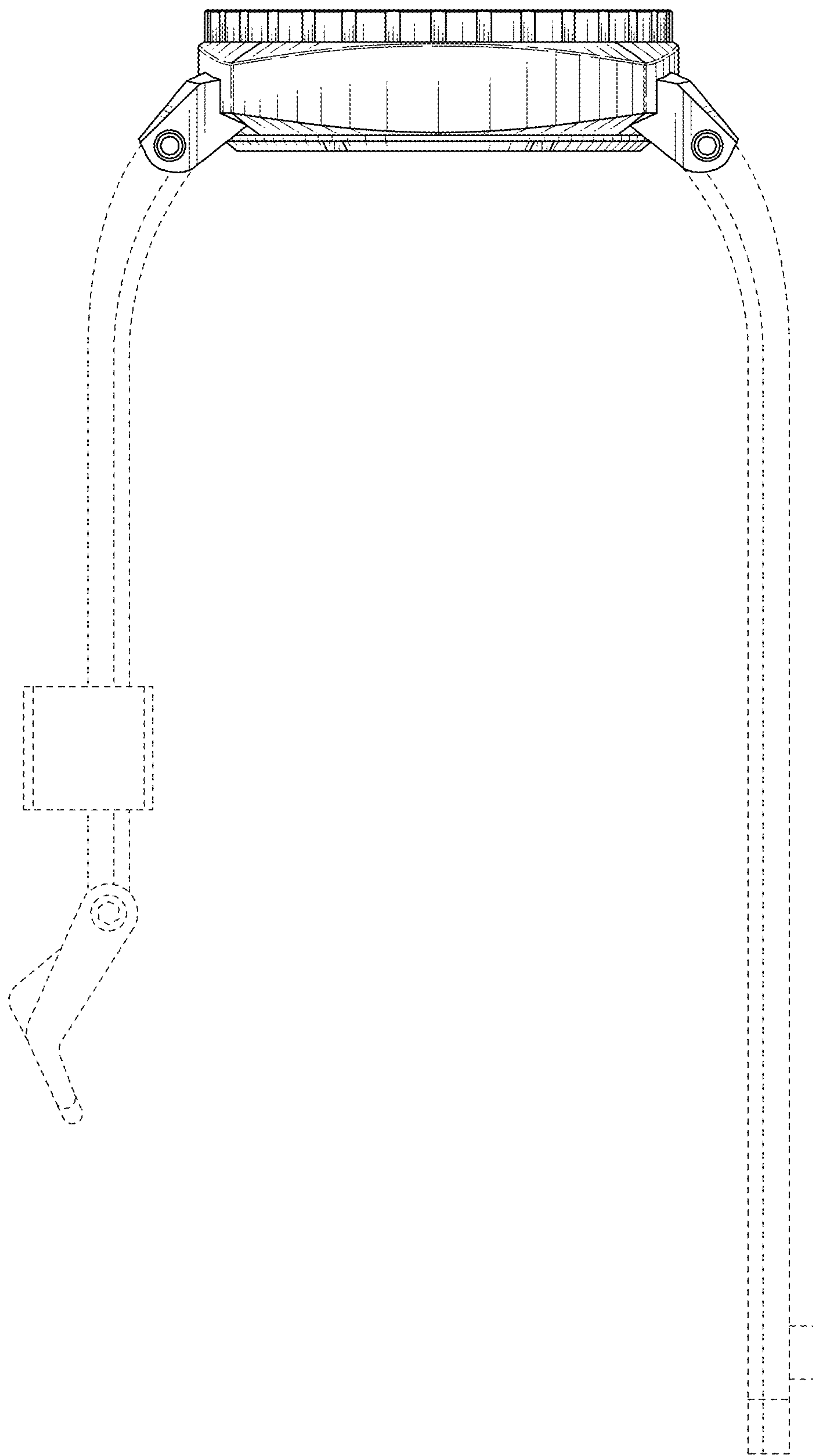


FIG. 4

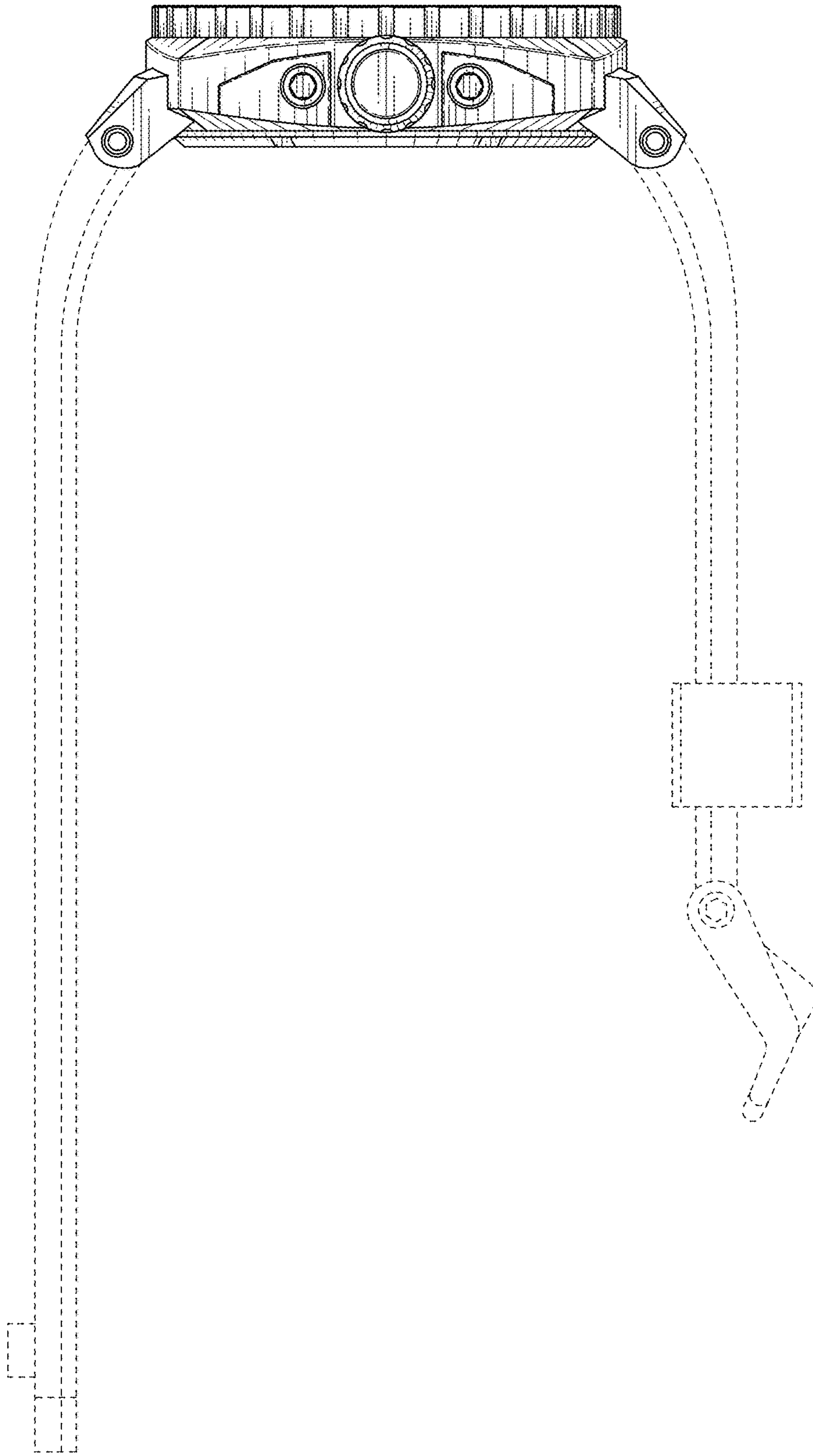


FIG. 5

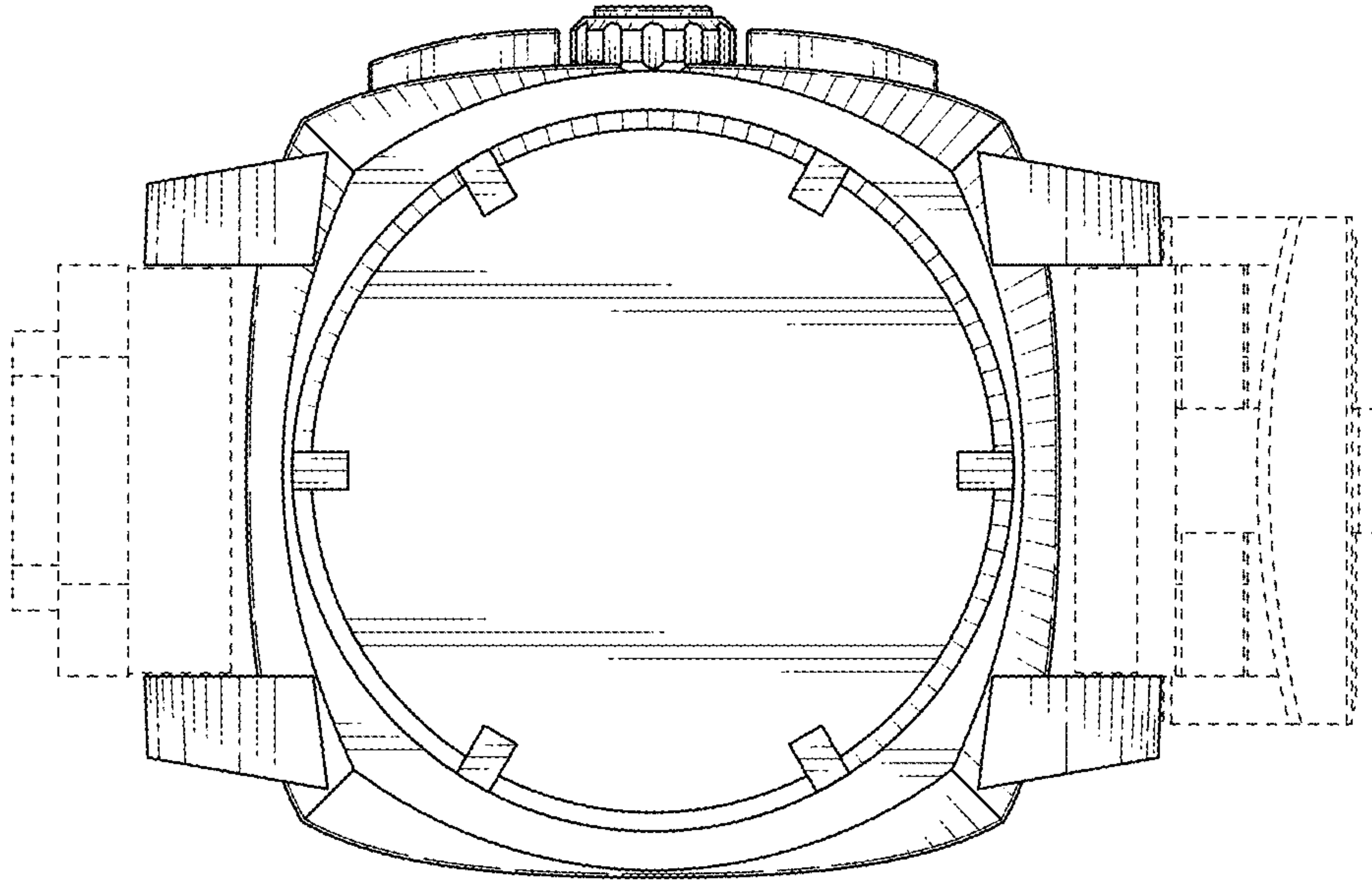


FIG. 7

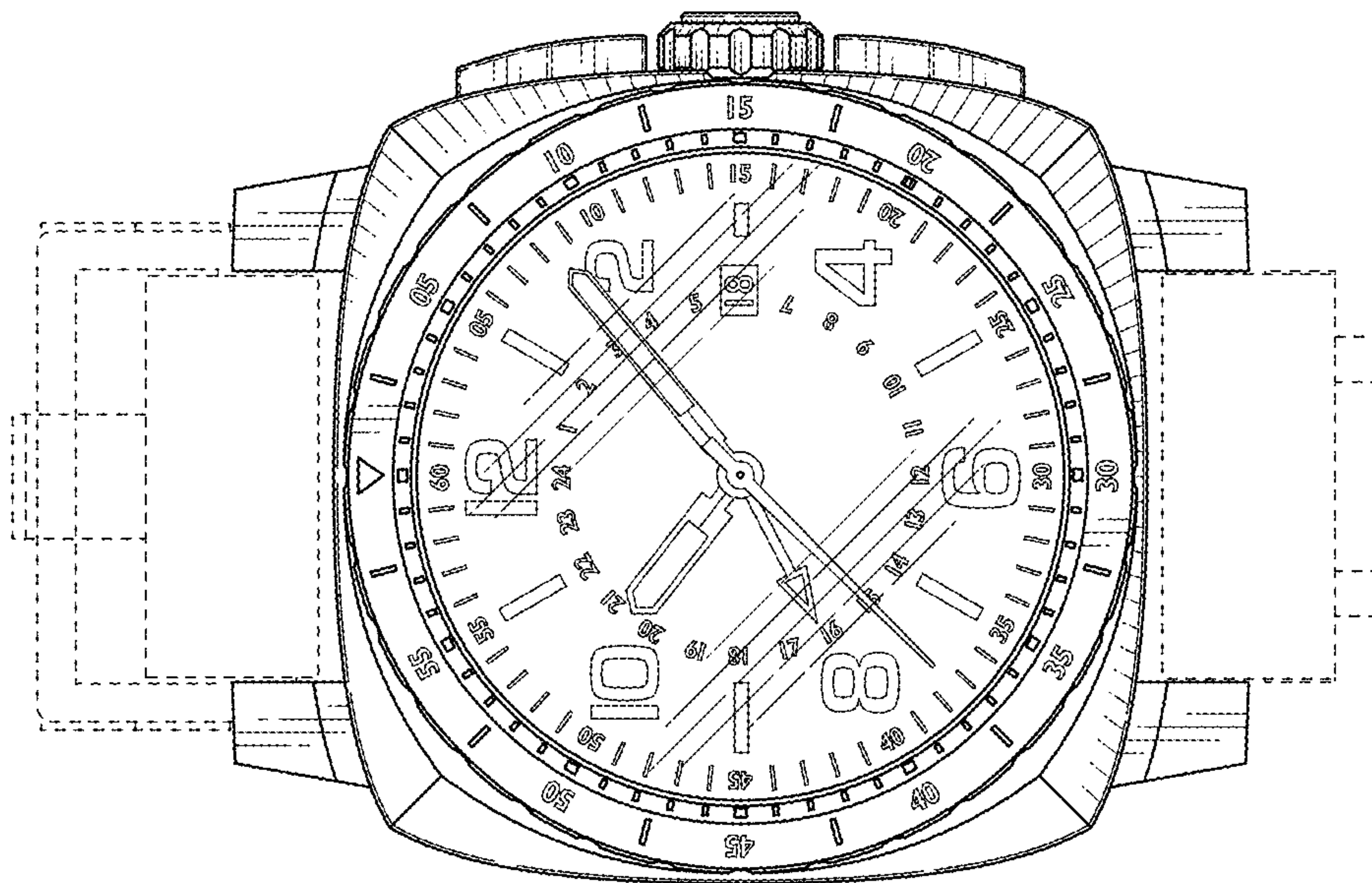


FIG. 6