



US00D782336S

(12) **United States Design Patent** (10) **Patent No.:** **US D782,336 S**  
**White et al.** (45) **Date of Patent:** **\*\* Mar. 28, 2017**

(54) **WATCH** D748,995 S \* 2/2016 Babcock ..... D10/30  
D750,505 S \* 3/2016 Cerrato ..... D10/30  
(71) Applicant: **Nixon, Inc.**, Encinitas, CA (US) D764,318 S \* 8/2016 Kauffmann ..... D10/30

(72) Inventors: **Tyson White**, Encinitas, CA (US); **Joe Babcock**, Encinitas, CA (US); **Franck Juvin**, Encinitas, CA (US)

FOREIGN PATENT DOCUMENTS

CH 695469 A5 \* 5/2006 ..... G04B 5/08  
EP 2138323 A1 \* 12/2009 ..... B21J 1/006

(73) Assignee: **NIXON INC.**, Encinitas, CA (US)

OTHER PUBLICATIONS

(\*\*) Term: **15 Years**

Amazon, Nixon Unisex Quartz Watch, posted on Dec. 8, 2012, [online], [site visited on Oct. 25, 2016]. Available from Internet: <URL: [https://www.amazon.co.uk/gp/product/B008Z9WHTK/ref=s9\\_dcacsd\\_bhz\\_bw\\_c\\_x\\_1](https://www.amazon.co.uk/gp/product/B008Z9WHTK/ref=s9_dcacsd_bhz_bw_c_x_1)>.\*

(21) Appl. No.: **29/547,537**

\* cited by examiner

(22) Filed: **Dec. 4, 2015**

(51) **LOC (10) Cl.** ..... **10-02**

(52) **U.S. Cl.**

USPC ..... **D10/39**

(58) **Field of Classification Search**

USPC ..... D10/1-29, 30-39, 122-132

CPC ..... G04B 37/0008; G04B 37/081; G04B 37/0058; G04B 37/18; G04B 37/082; G04B 17/08; G04B 17/083

See application file for complete search history.

*Primary Examiner* — Sheryl Lane

*Assistant Examiner* — Samantha Wood

(74) *Attorney, Agent, or Firm* — Torrey Pines Law Group, PC; Kevin Buckley

(57) **CLAIM**

What is claimed is the ornamental design for a watch, as shown and described.

(56) **References Cited**

**DESCRIPTION**

U.S. PATENT DOCUMENTS

D390,789 S \* 2/1998 Sugita ..... D10/30  
D452,449 S \* 12/2001 Hegi ..... D10/32  
D510,282 S \* 10/2005 Modolo ..... D10/32  
D533,088 S \* 12/2006 Bedat ..... D10/39  
D555,518 S \* 11/2007 Borraccino ..... D10/39  
D555,519 S \* 11/2007 Borraccino ..... D10/39  
D566,585 S \* 4/2008 Belamich ..... D10/39  
D566,586 S \* 4/2008 Lalo ..... D10/39  
D656,044 S \* 3/2012 Favre ..... D10/38  
D694,656 S \* 12/2013 Inoue ..... D10/38  
D695,637 S \* 12/2013 Jacquerye ..... D10/39  
D698,268 S \* 1/2014 Mijatovic ..... D10/32  
D705,671 S \* 5/2014 Mijatovic ..... D10/32  
D742,254 S \* 11/2015 Greusel ..... D10/30

FIG. 1 is a front right perspective view of a watch showing our new design;

FIG. 2 is a front elevated view thereof;

FIG. 3 is a back elevated view thereof;

FIG. 4 is a left side view thereof;

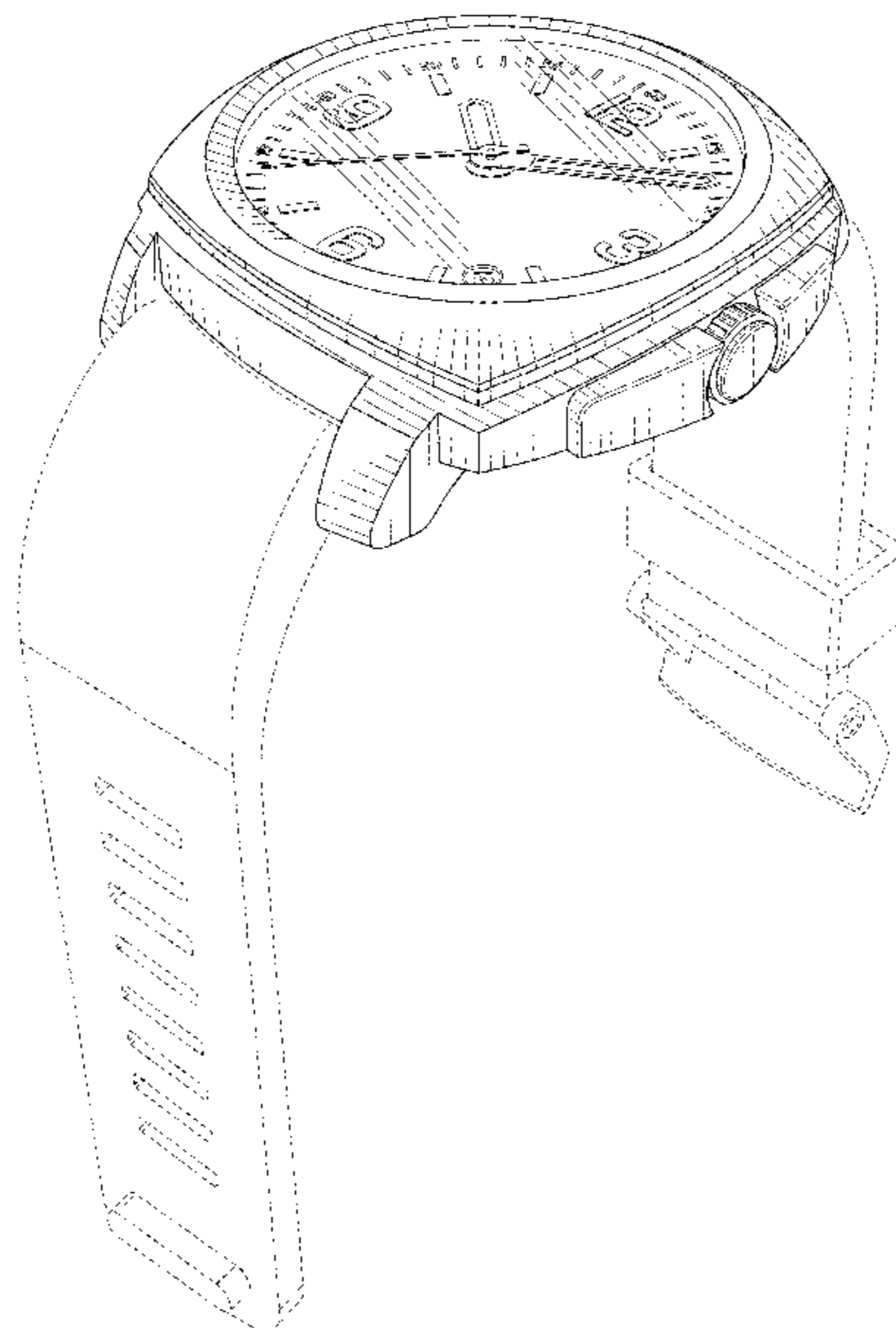
FIG. 5 is a right side view thereof;

FIG. 6 is a top view thereof; and,

FIG. 7 is a bottom view thereof.

The broken line showing of the watch band is included for the purpose of illustrating the environmental structure and forms no part of the claimed design.

**1 Claim, 5 Drawing Sheets**



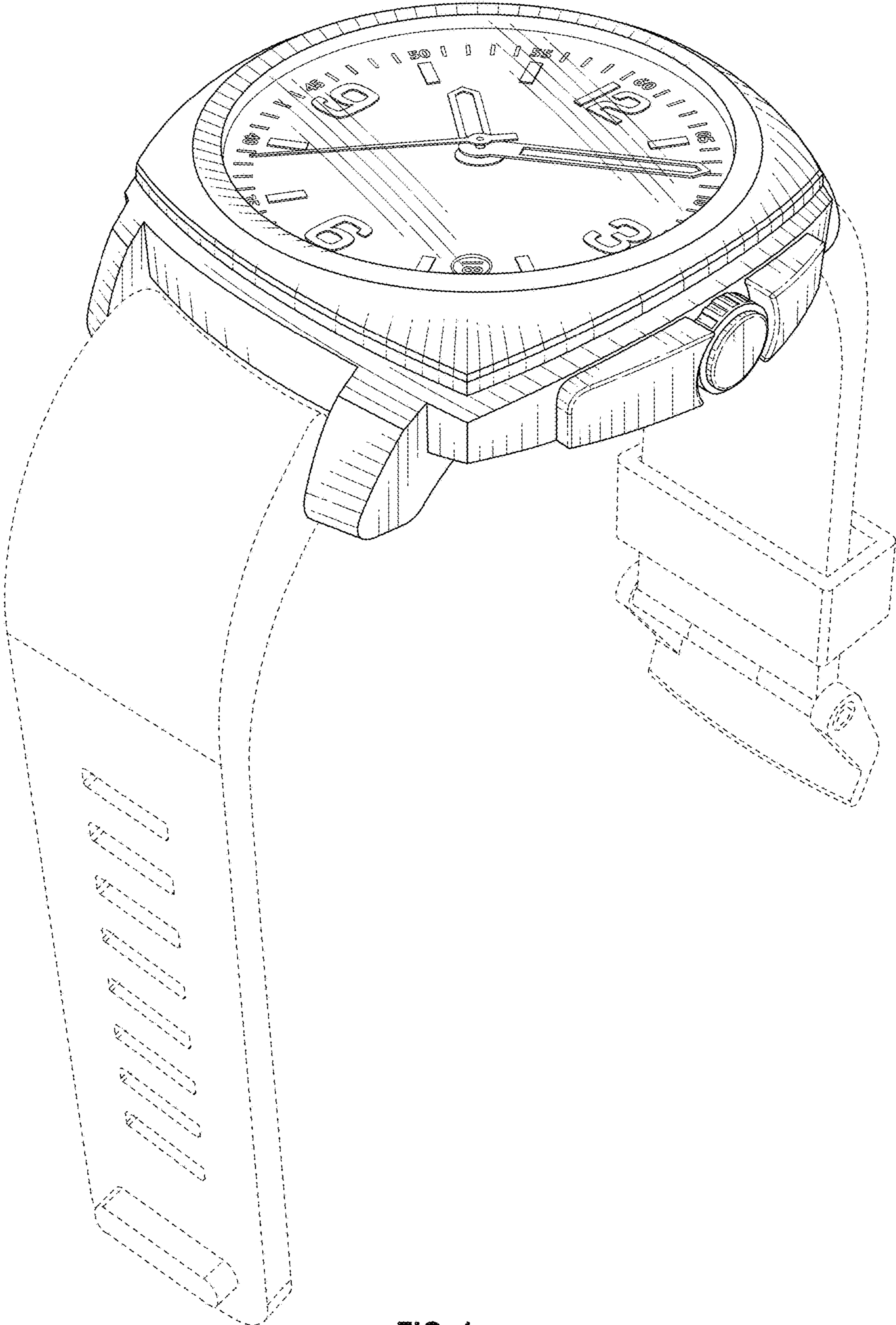


FIG. 1

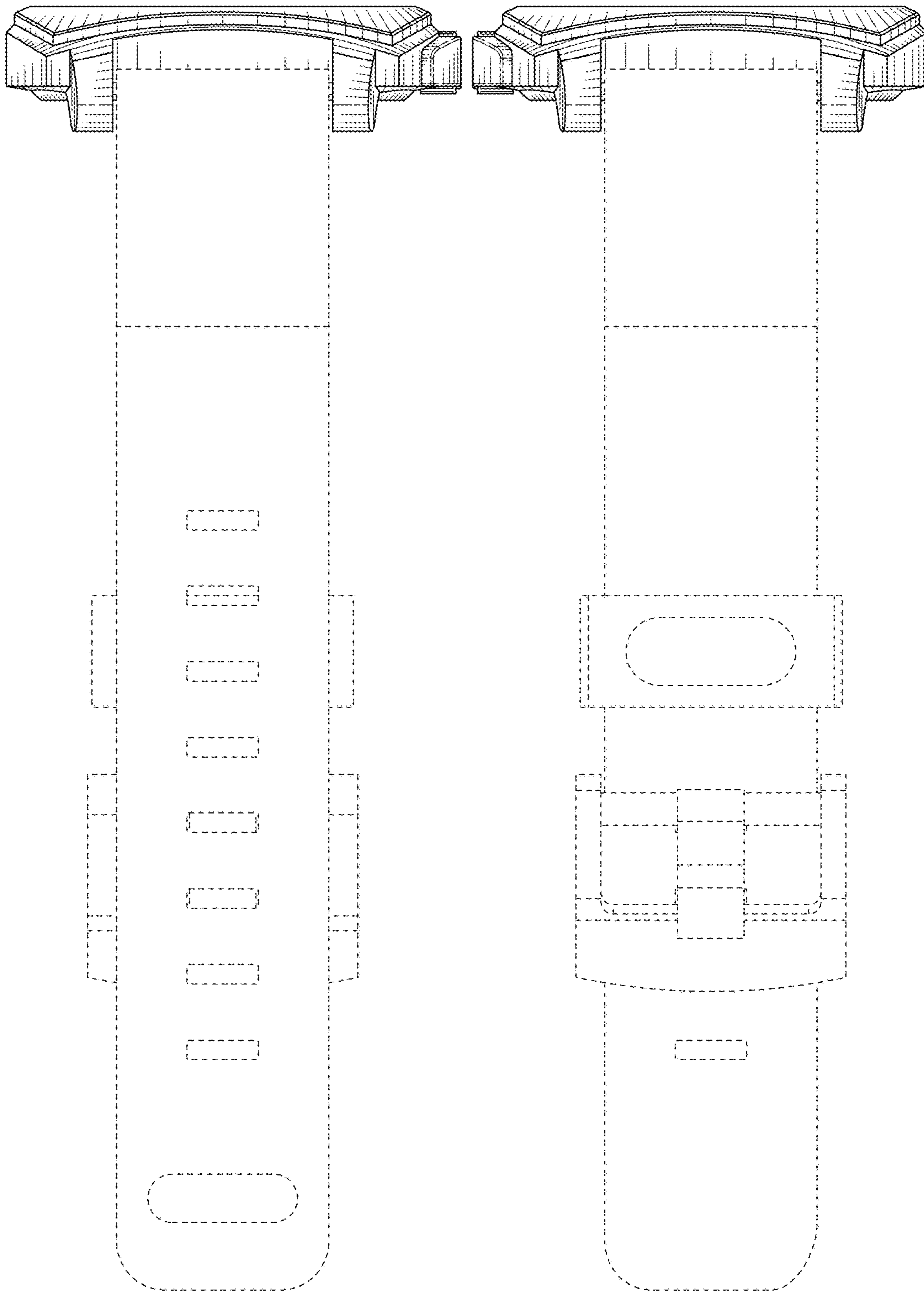


FIG. 2

FIG. 3

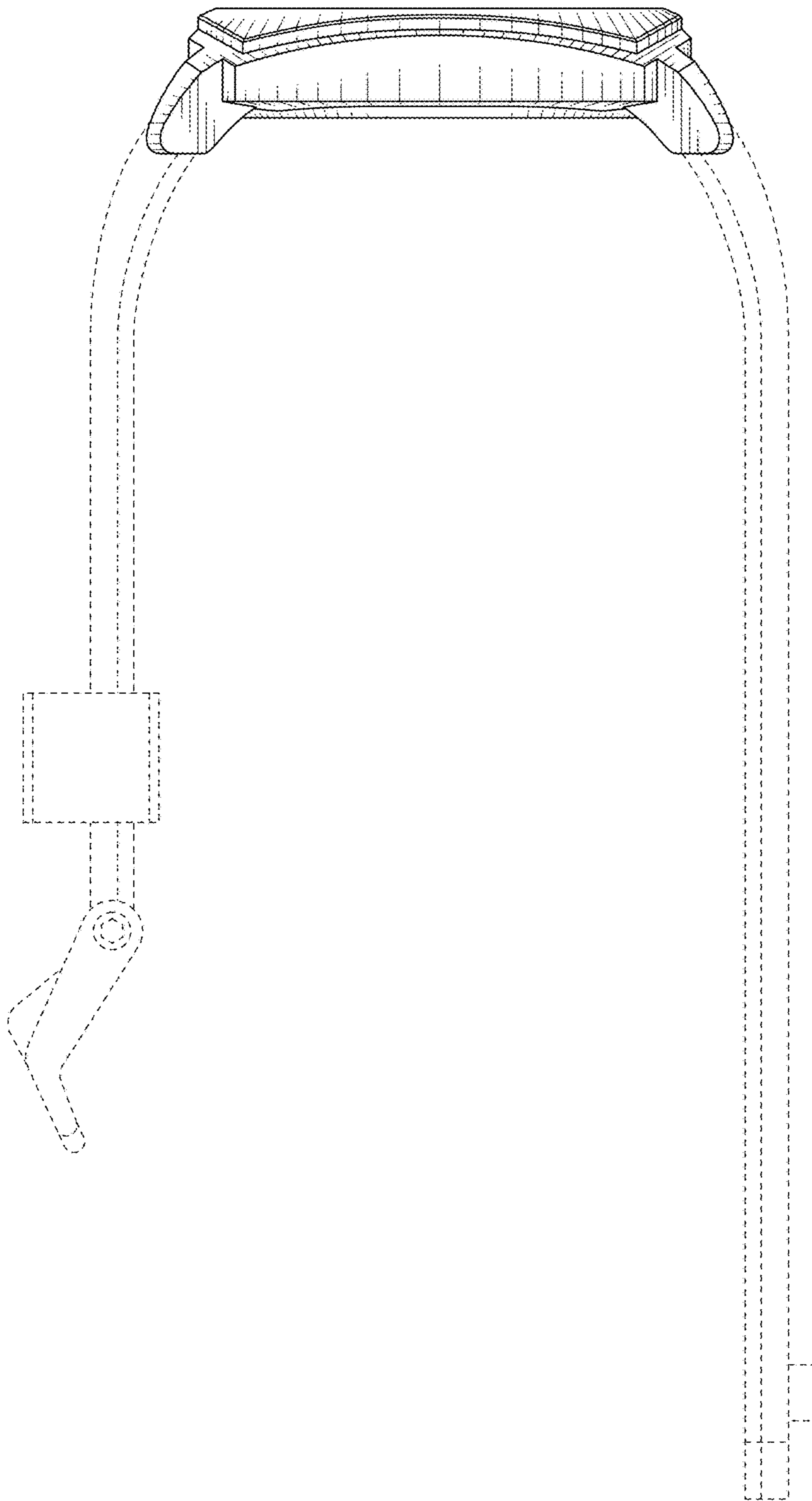


FIG. 4

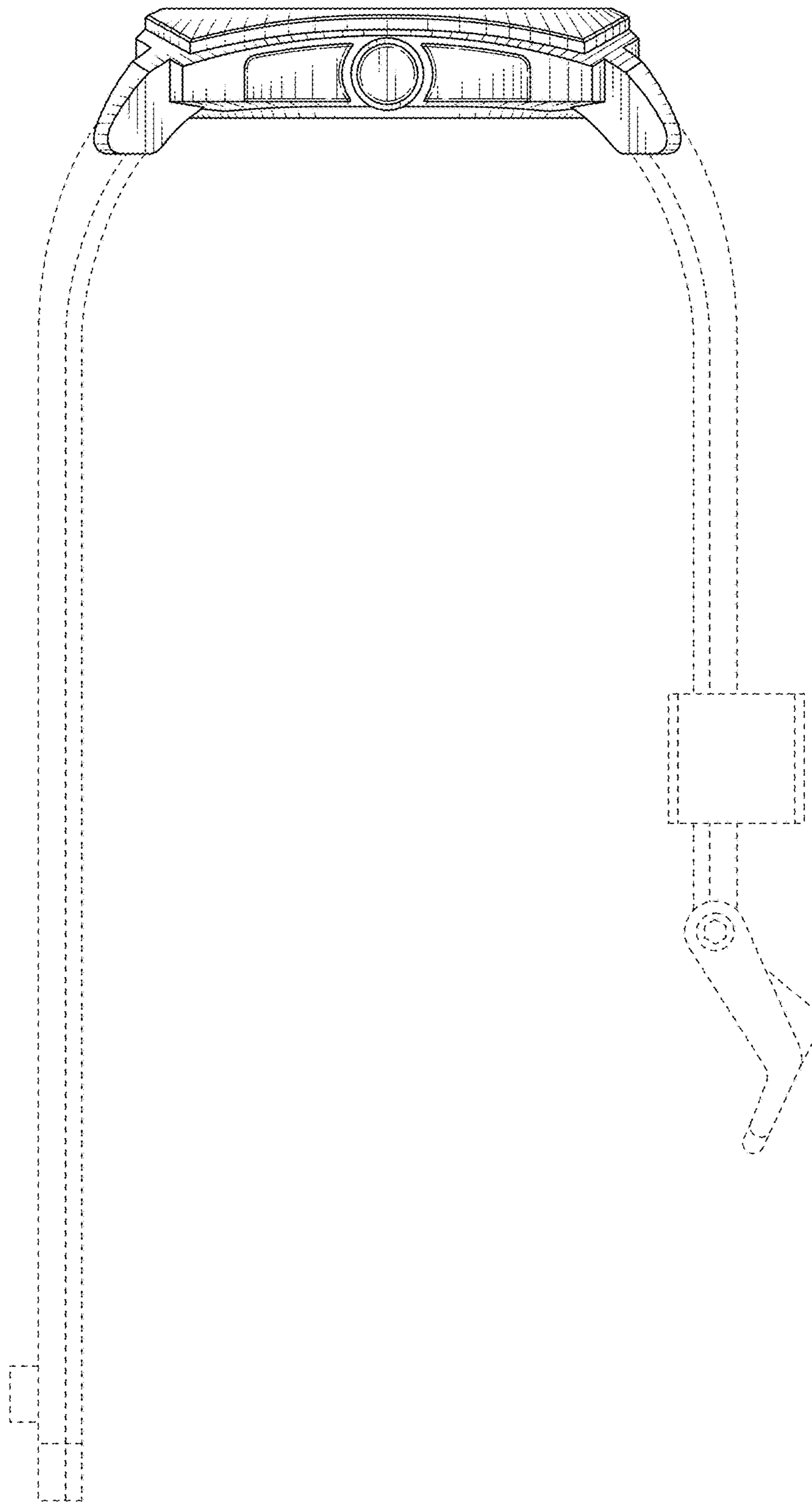


FIG. 5

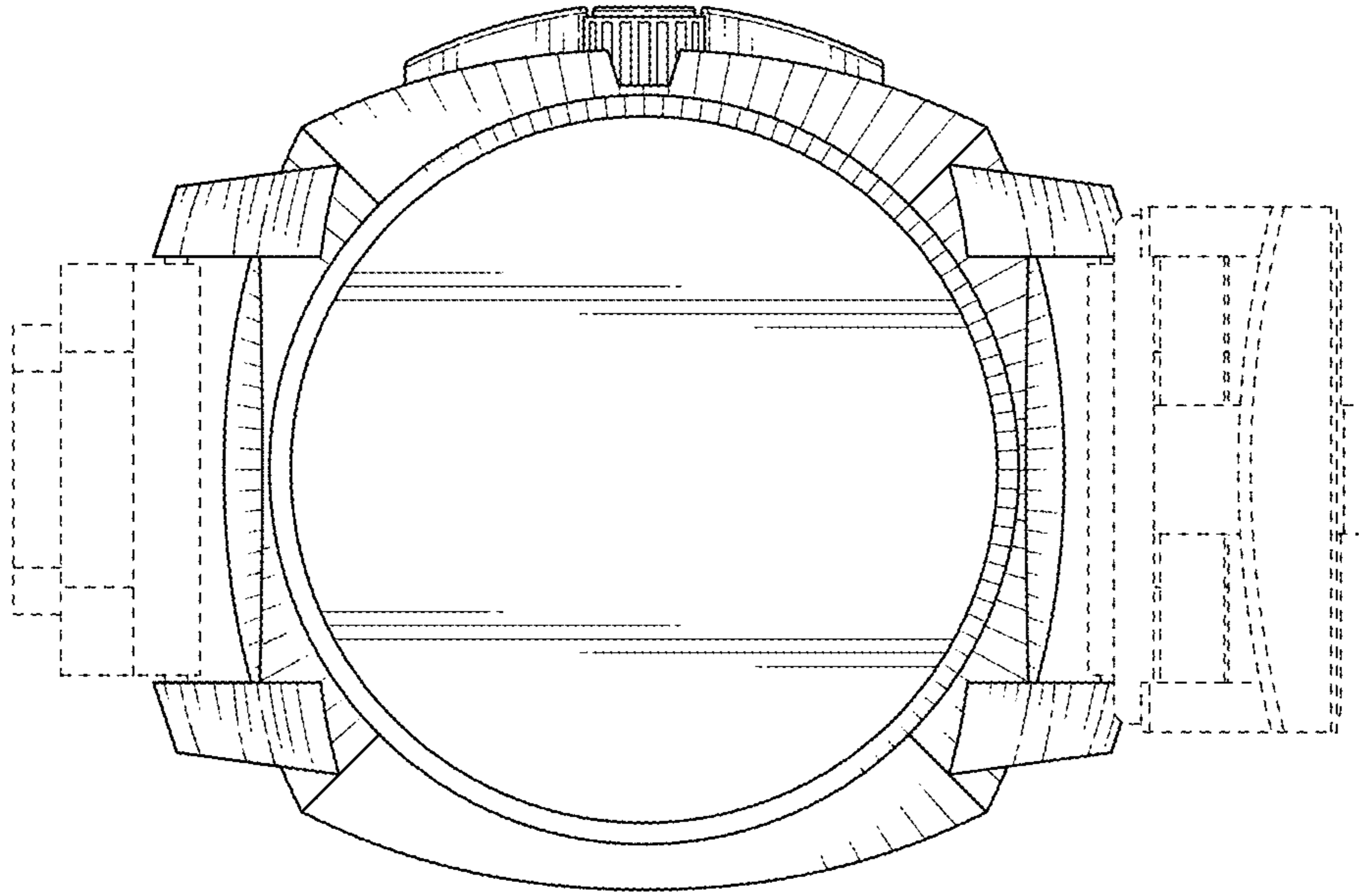


FIG. 6

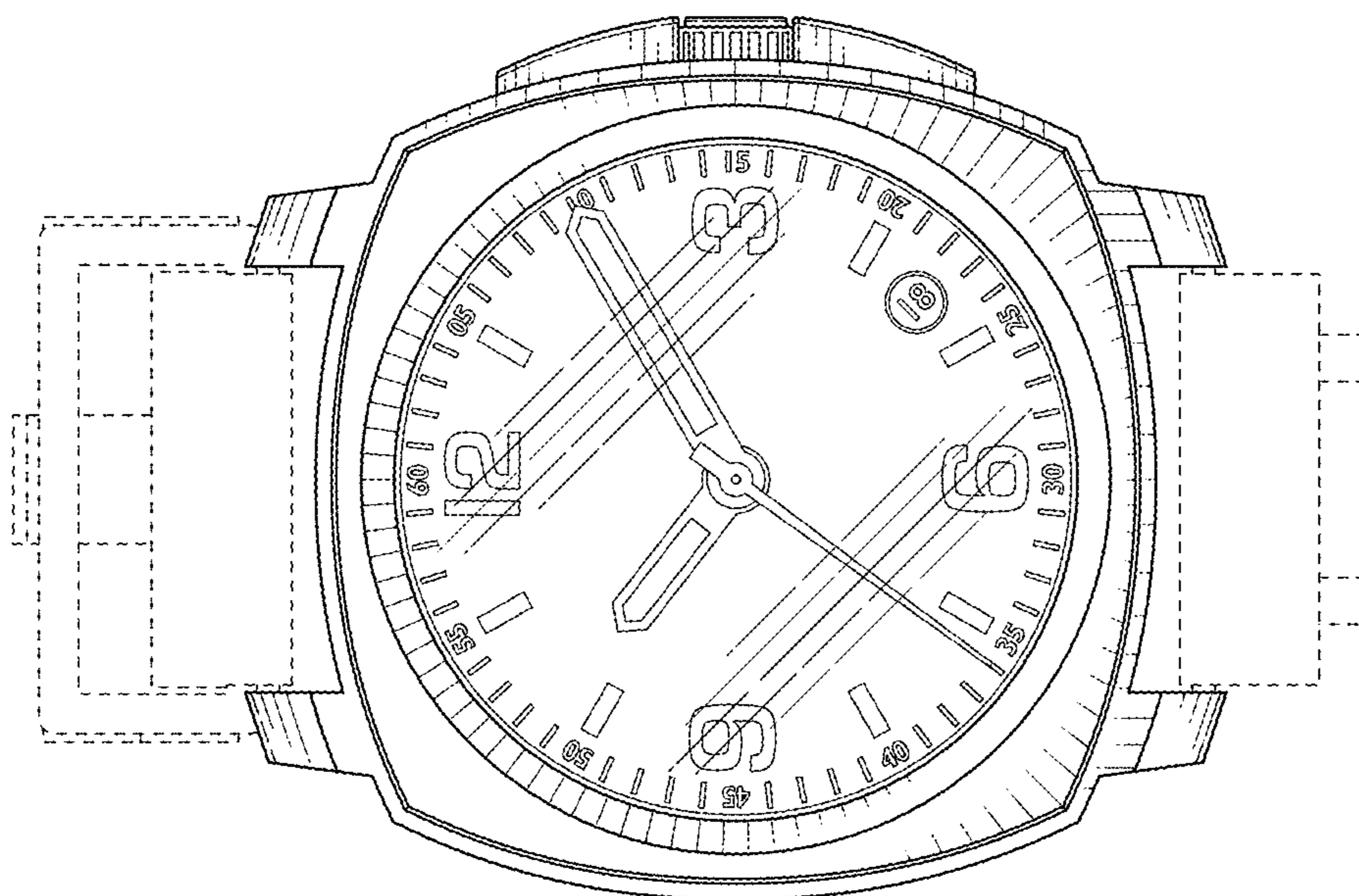


FIG. 7