

US00D782335S

(12) **United States Design Patent** (10) **Patent No.:** **US D782,335 S**
White et al. (45) **Date of Patent:** **** Mar. 28, 2017**

(54) **WATCH**
(71) Applicant: **Nixon, Inc.**, Encinitas, CA (US)
(72) Inventors: **Tyson White**, Encinitas, CA (US); **Joe Babcock**, Encinitas, CA (US); **Jenny Sehic**, Encinitas, CA (US)
(73) Assignee: **NIXON, INC.**, Encinitas
(**) Term: **15 Years**

D614,512 S * 4/2010 Monachon D10/32
D723,946 S * 3/2015 Soares D10/32
D739,768 S * 9/2015 Hanshew D10/30
D746,714 S * 1/2016 Gueit D10/127
D752,996 S * 4/2016 Ebersold D10/30
D756,243 S * 5/2016 Giannini D10/125
D758,211 S * 6/2016 Maffioli D10/32
D762,126 S * 7/2016 Izuka D10/126
D762,488 S * 8/2016 Kishino D10/128
D766,752 S * 9/2016 Akana D10/30
2016/0037874 A1 * 2/2016 Webb A44C 5/24
224/267

(21) Appl. No.: **29/554,624**
(22) Filed: **Feb. 12, 2016**
(51) **LOC (10) Cl.** **10-02**
(52) **U.S. Cl.**
USPC **D10/32**
(58) **Field of Classification Search**
USPC D10/1-29, 30-39, 122-132
CPC A44C 5/025; A44C 5/027; A44C 11/00;
G04B 19/00; G04B 19/06; G04B 19/14;
G04B 19/18; G04B 37/0008; G04B
37/0058; G04B 37/1486
See application file for complete search history.

FOREIGN PATENT DOCUMENTS

CH 649695 A5 * 6/1985 A44C 5/025
EP 1136010 A1 * 9/2001 A44C 5/027
FR 1474672 A * 3/1967 A44C 5/025
WO WO 2012100833 A1 * 8/2012 A44C 5/025

* cited by examiner

Primary Examiner — Sheryl Lane
Assistant Examiner — Samantha Wood
(74) *Attorney, Agent, or Firm* — Torrey Pines Law Group, PC; Kevin Buckley

(56) **References Cited**

U.S. PATENT DOCUMENTS

D245,231 S * 8/1977 Kleiner D10/32
D444,715 S * 7/2001 Gueit D10/32
D473,470 S * 4/2003 Nussbaum D10/30
D473,802 S * 4/2003 Berliat D10/39
D476,582 S * 7/2003 Sugiura D10/32
D506,149 S * 6/2005 Junod D10/32
D517,928 S * 3/2006 Monachon D10/32
D568,181 S * 5/2008 Rabassa D10/39
D574,261 S * 8/2008 Dreyfuss D10/32
D575,656 S * 8/2008 Scholpp D11/3
D576,509 S * 9/2008 Scholpp D11/3
D592,977 S * 5/2009 Furetta D10/32

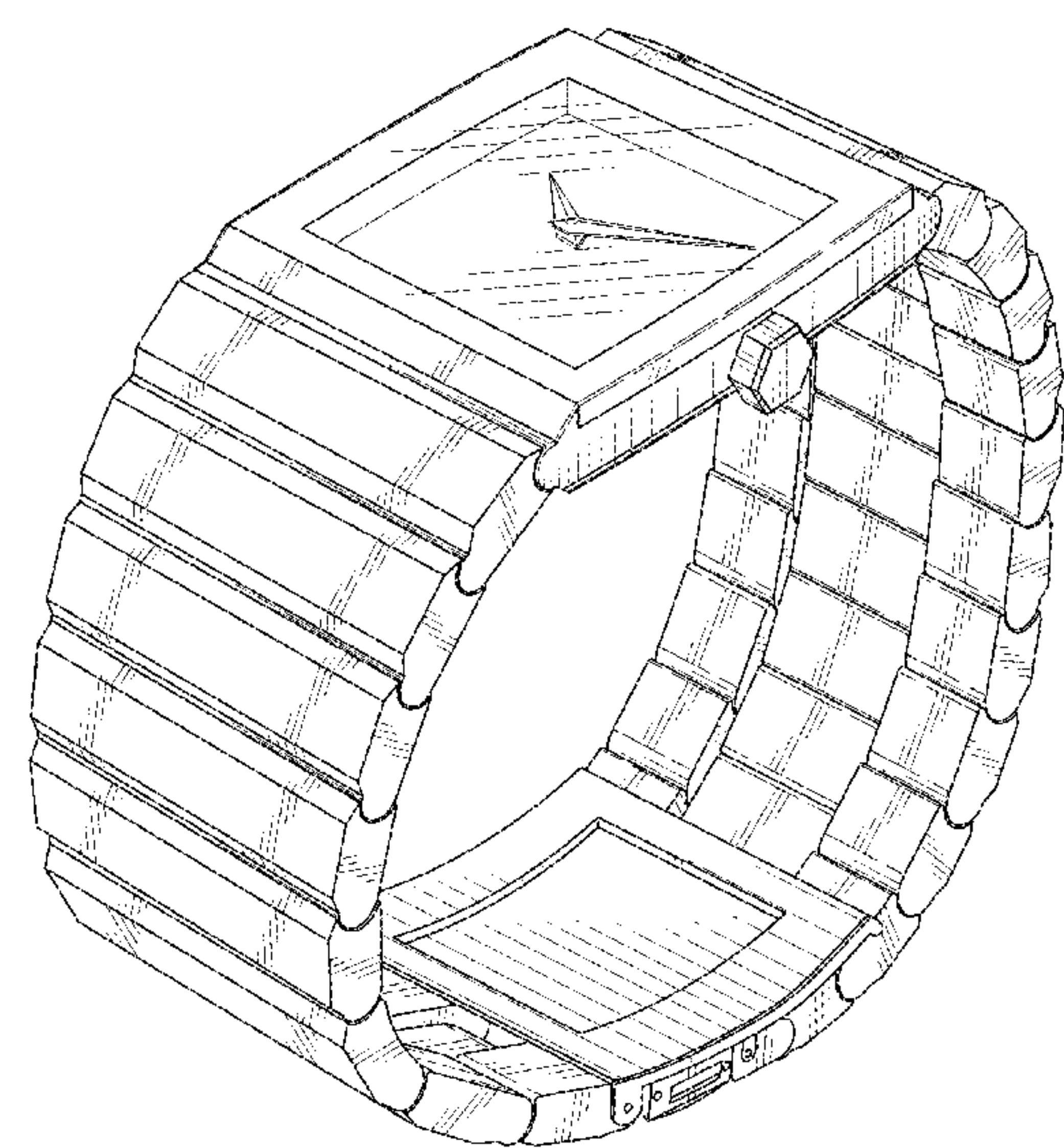
(57) **CLAIM**

What is claimed is the ornamental design for a watch, as shown and described.

DESCRIPTION

FIG. 1 is a front right perspective view of a watch showing our new design;
FIG. 2 is a front elevated view thereof;
FIG. 3 is a back elevated view thereof;
FIG. 4 is a left side view thereof;
FIG. 5 is a right side view thereof;
FIG. 6 is a top view thereof; and,
FIG. 7 is a bottom view thereof.

1 Claim, 7 Drawing Sheets



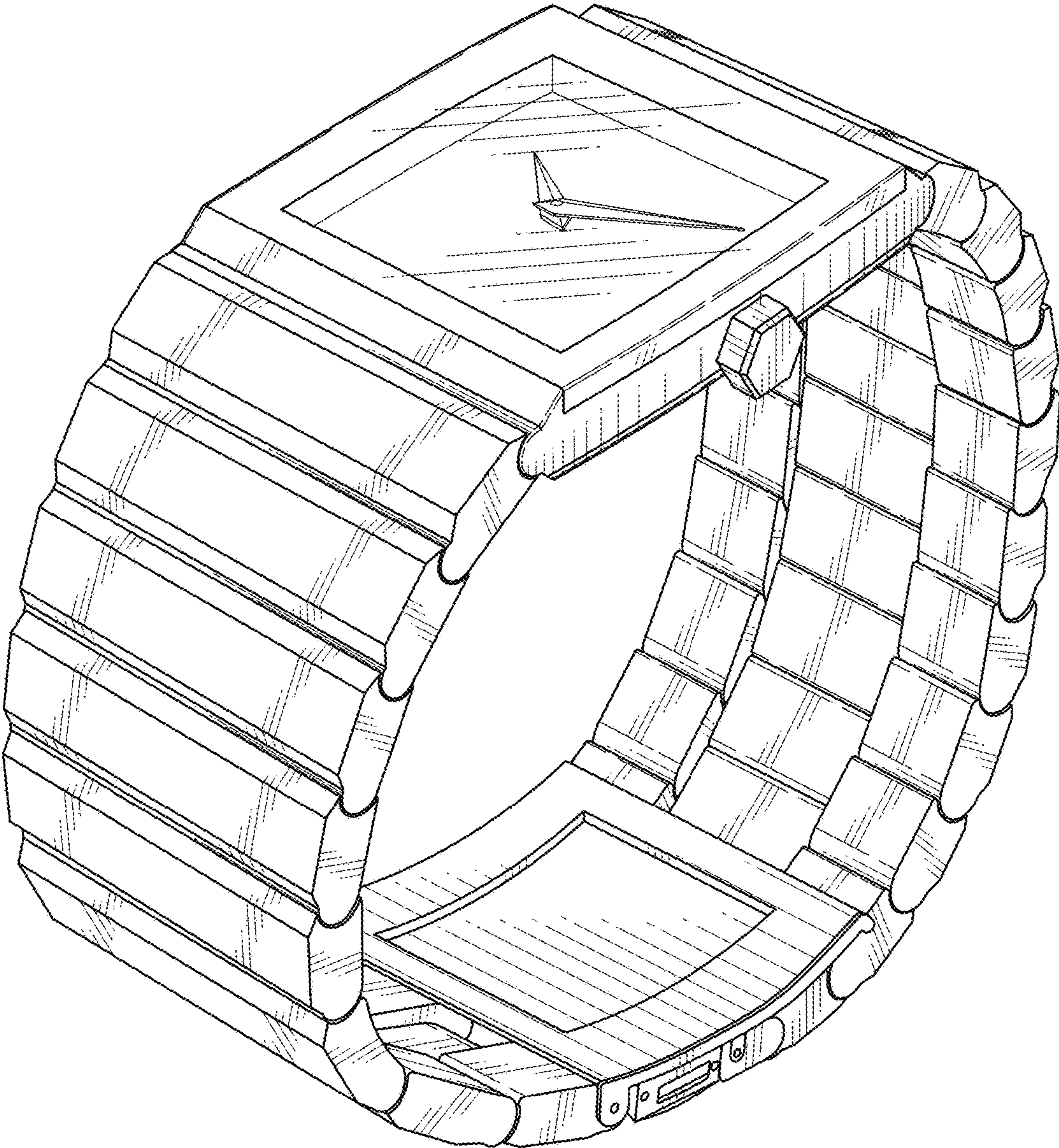


FIG. 1

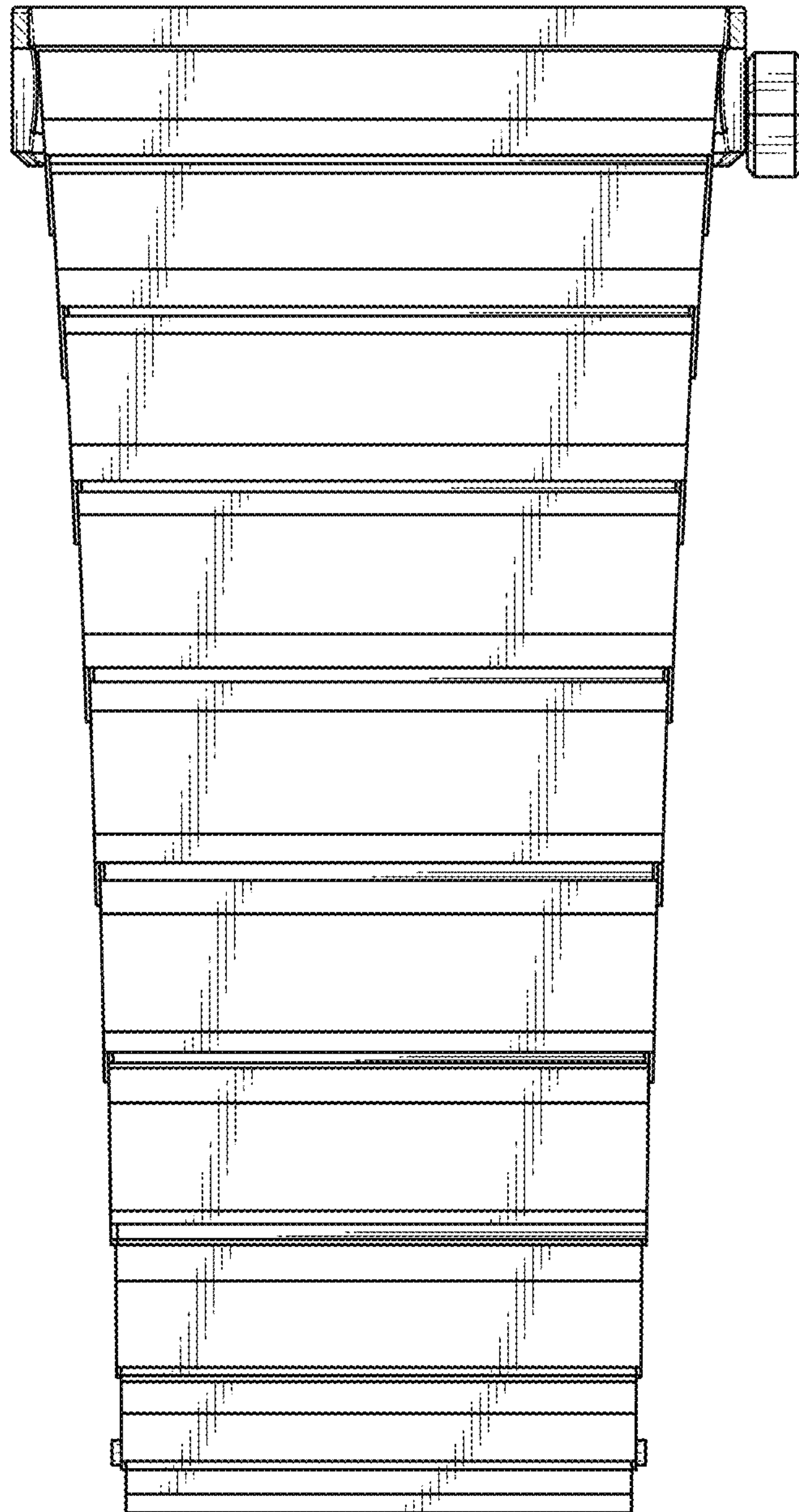


FIG. 2

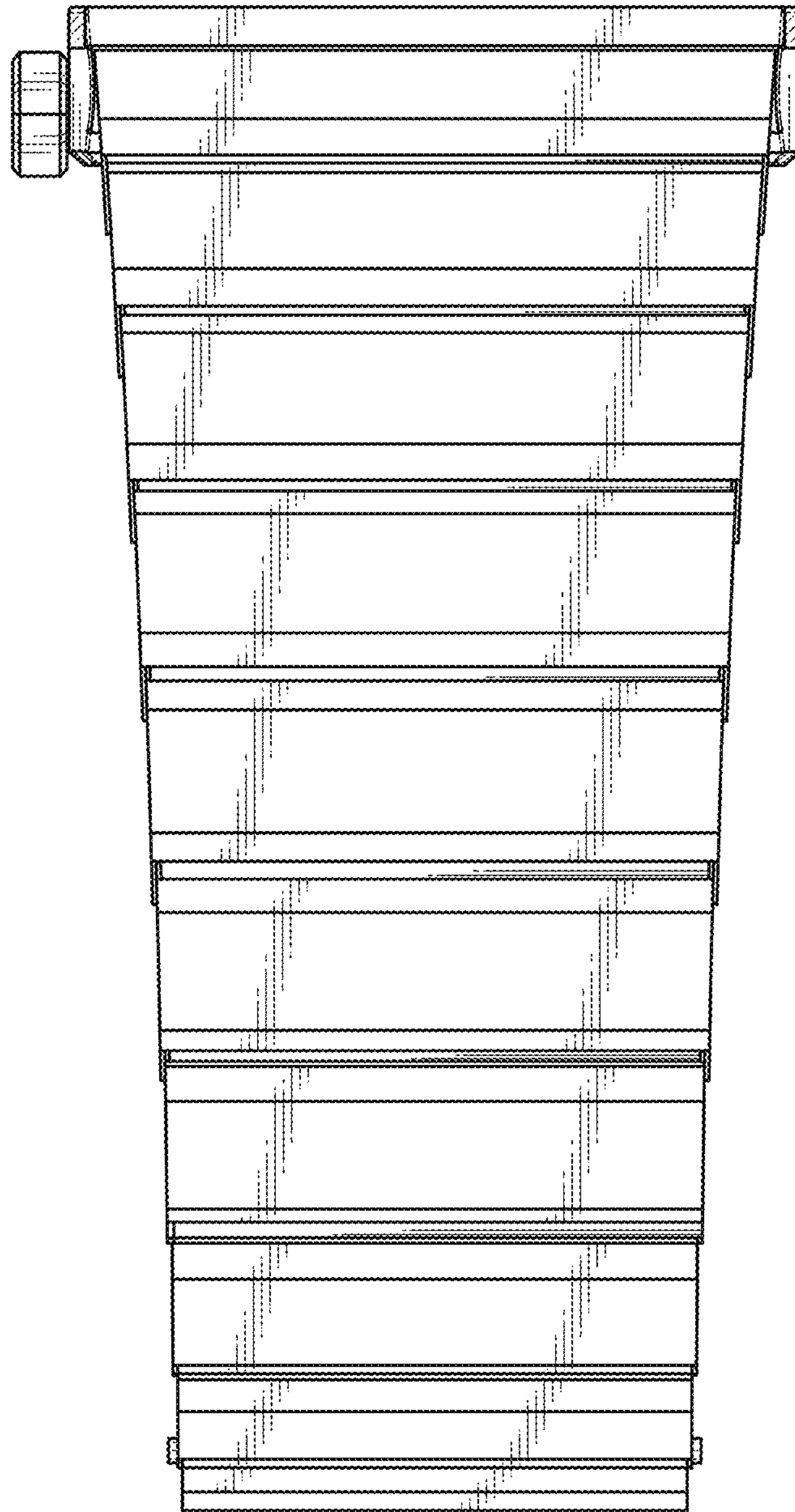


FIG. 3

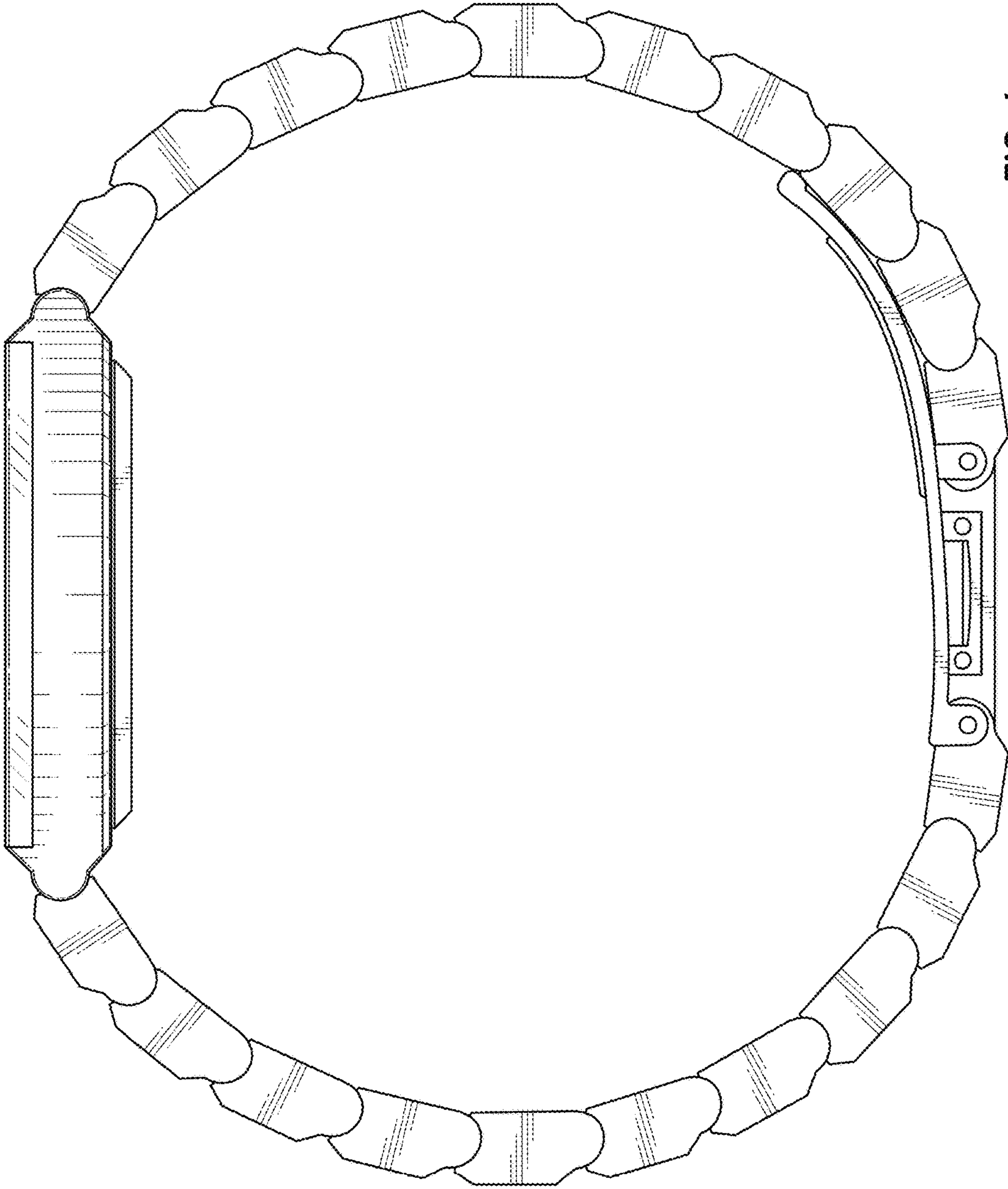


FIG. 4

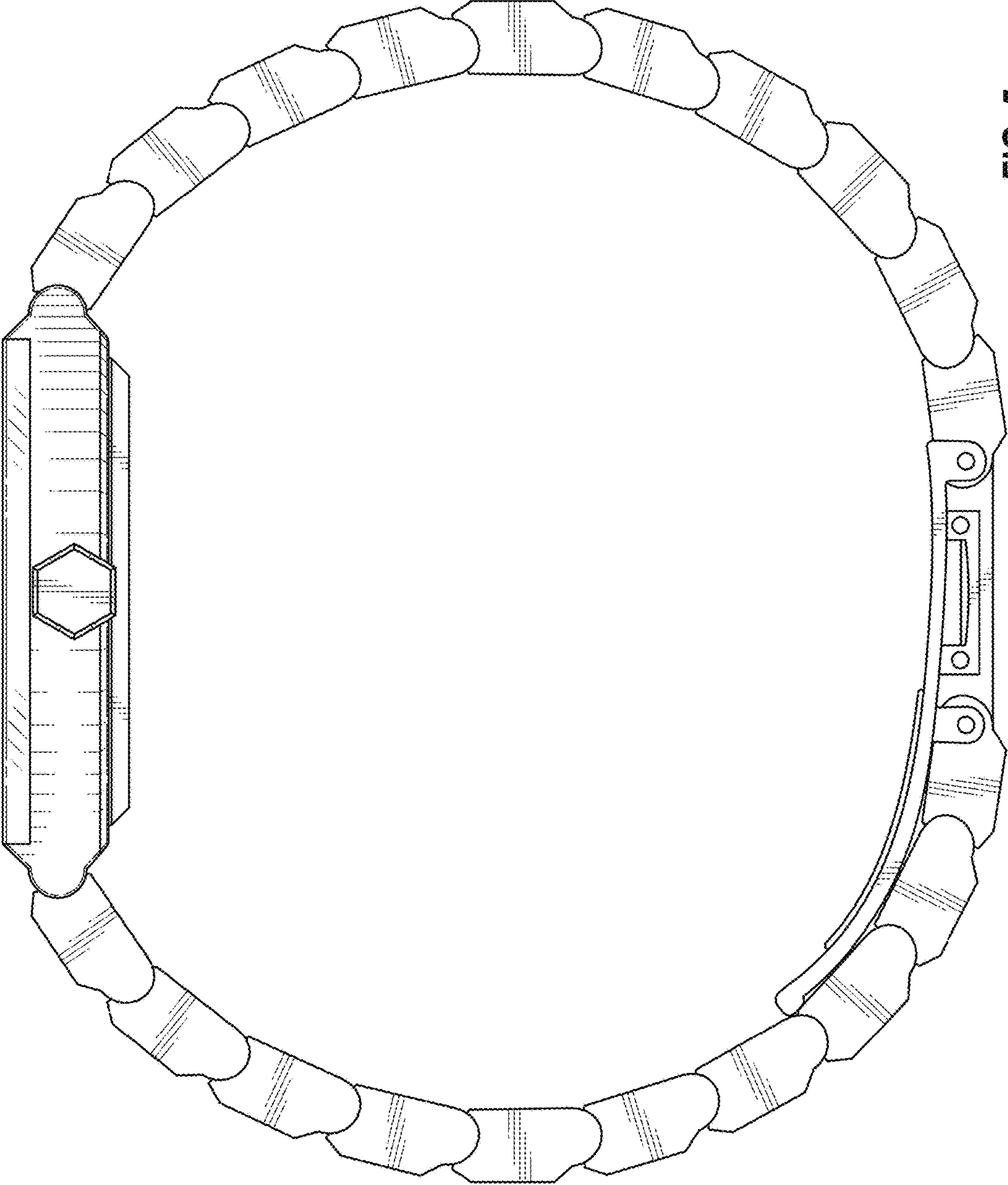


FIG. 5

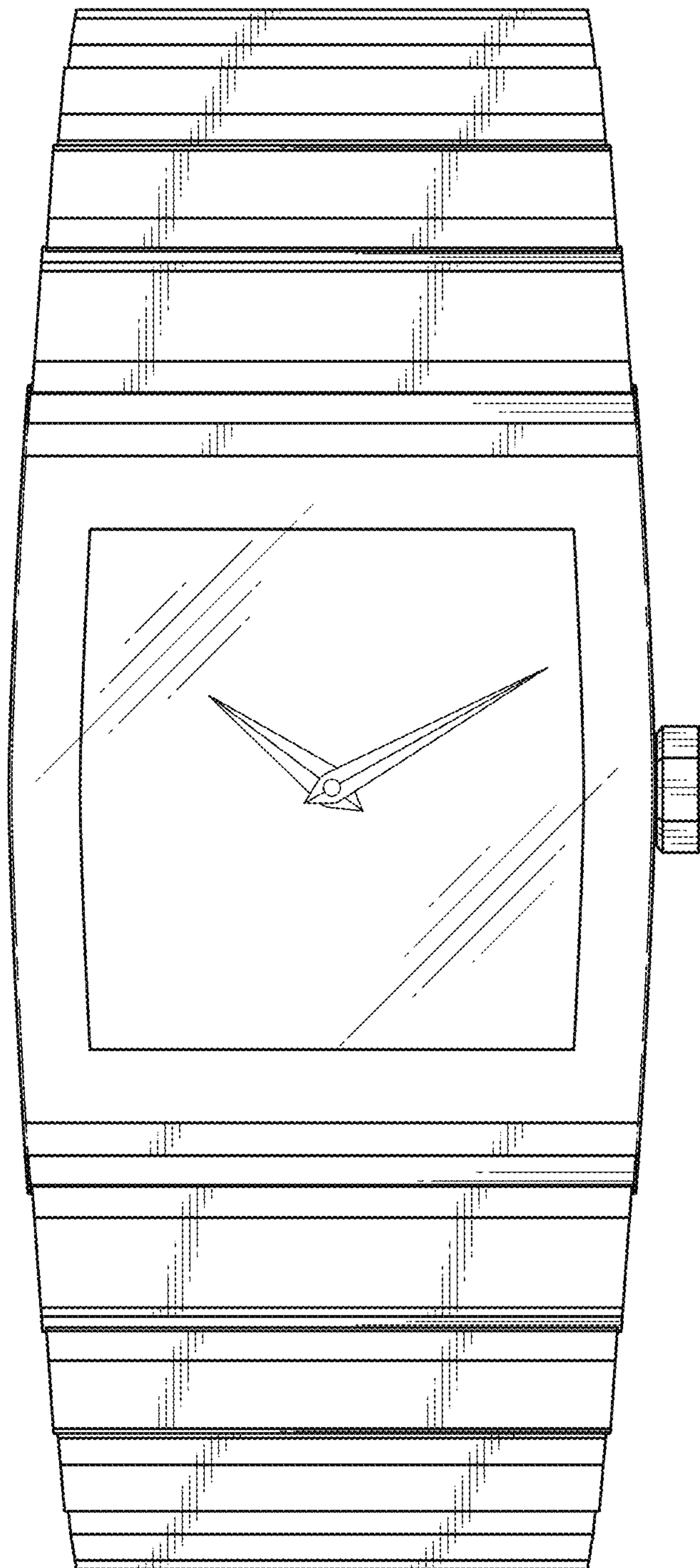


FIG. 6

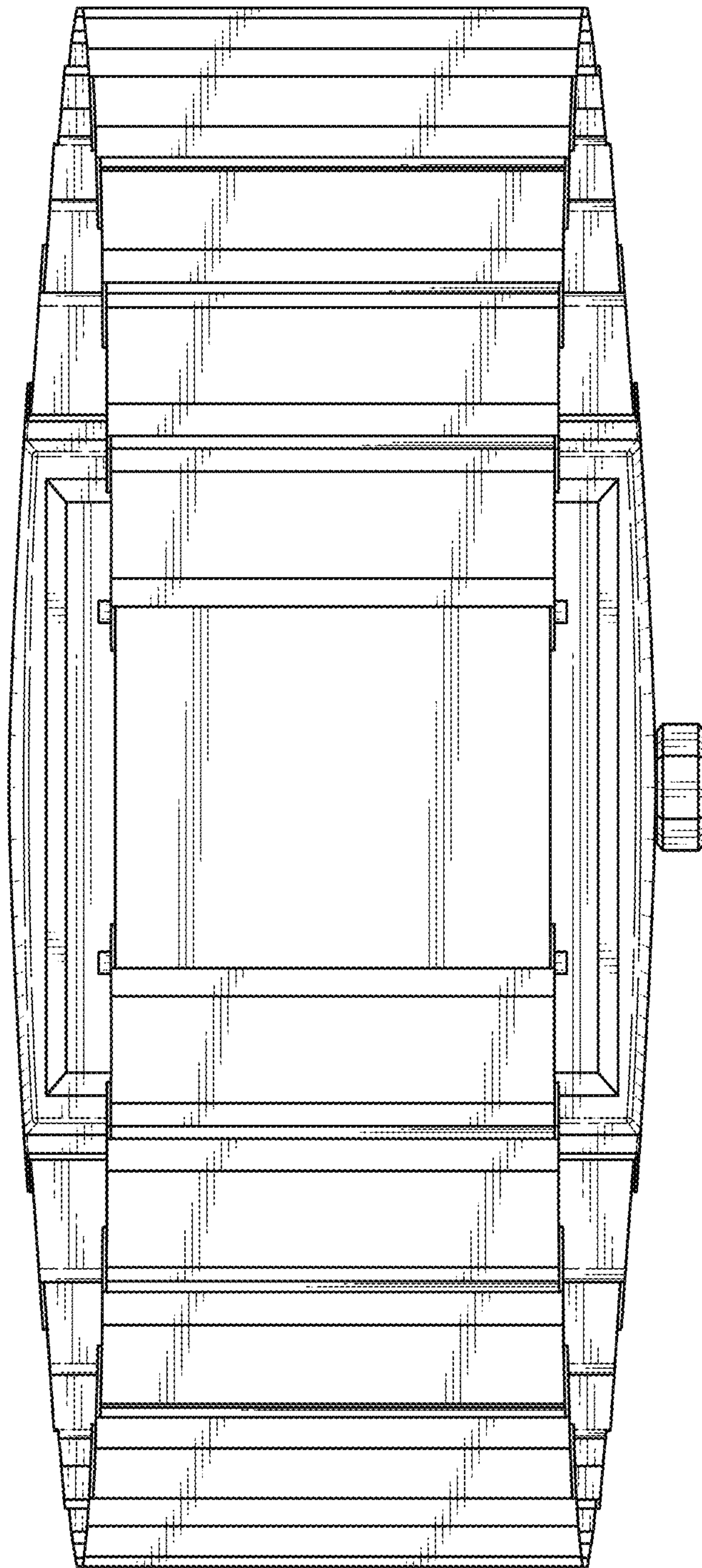


FIG. 7