



US00D782329S

(12) **United States Design Patent** (10) **Patent No.:** **US D782,329 S**  
**Sobel** (45) **Date of Patent:** **\*\* Mar. 28, 2017**

(54) **DISPENSER FOR TISSUES AND  
HAND-PULLED PAPER PRODUCTS**

(71) Applicant: **Ken Sobel**, Farmingdale, NY (US)

(72) Inventor: **Ken Sobel**, Farmingdale, NY (US)

(\*\*) Term: **15 Years**

(21) Appl. No.: **29/535,233**

(22) Filed: **Aug. 5, 2015**

(51) **LOC (10) Cl.** ..... **09-01**

(52) **U.S. Cl.**  
USPC ..... **D9/734**

(58) **Field of Classification Search**  
USPC ..... D9/414, 424, 430, 431, 499, 730, 734;  
D3/201, 304, 315; D6/515, 518, 519,  
D6/521, 522, 523; 206/205, 210, 216,  
206/233, 389, 395, 494, 581, 812;  
221/33, 36, 45, 46, 47, 48, 52, 199, 255,  
221/259, 305, 309; D7/601, 602, 631  
CPC ..... B65D 85/00; B65D 81/00; B65D 81/22;  
B65D 83/0805; A47K 2010/3266; A47K  
10/42; A47K 10/426; G07F 11/00  
See application file for complete search history.

(56) **References Cited**

U.S. PATENT DOCUMENTS

D185,626 S \* 7/1959 Craig ..... D6/515  
D208,671 S \* 9/1967 Lang ..... D9/734  
D308,146 S \* 5/1990 Speaker ..... D6/515  
5,390,821 A \* 2/1995 Markel ..... A47F 1/08  
206/427  
5,425,474 A \* 6/1995 Dalea ..... B65D 5/725  
206/499  
6,085,899 A \* 7/2000 Thorsbakken ..... A47K 10/32  
206/205  
D509,689 S \* 9/2005 Ho ..... D6/515

D537,734 S \* 3/2007 Wolpow ..... D9/733  
D669,348 S \* 10/2012 Bernstein ..... D9/416  
2007/0084737 A1\* 4/2007 Cook ..... A47K 10/3827  
206/223  
2009/0127276 A1\* 5/2009 Rippl ..... A47K 10/424  
221/45  
2016/0051100 A1\* 2/2016 Formon ..... A47K 10/44  
221/45

\* cited by examiner

*Primary Examiner* — Derrick Holland

*Assistant Examiner* — Lauren Calve

(74) *Attorney, Agent, or Firm* — John F. Vodopia

(57) **CLAIM**

The ornamental design for a dispenser for tissues and hand-pulled paper products, as shown and described.

**DESCRIPTION**

FIG. 1 is a front perspective view of a dispenser for tissues and hand-pulled paper products showing my design; FIG. 2 is a cross-sectional view taken along lines 2-2 as indicated in FIG. 1;

Fig. 3 is a bottom perspective view thereof;

FIG. 4 is a front elevational view thereof;

FIG. 5 is a back elevational view thereof;

FIG. 6 is a left side view thereof;

FIG. 7 is a right side view thereof;

FIG. 8 is a top plan view thereof;

FIG. 9 is a bottom plan view thereof;

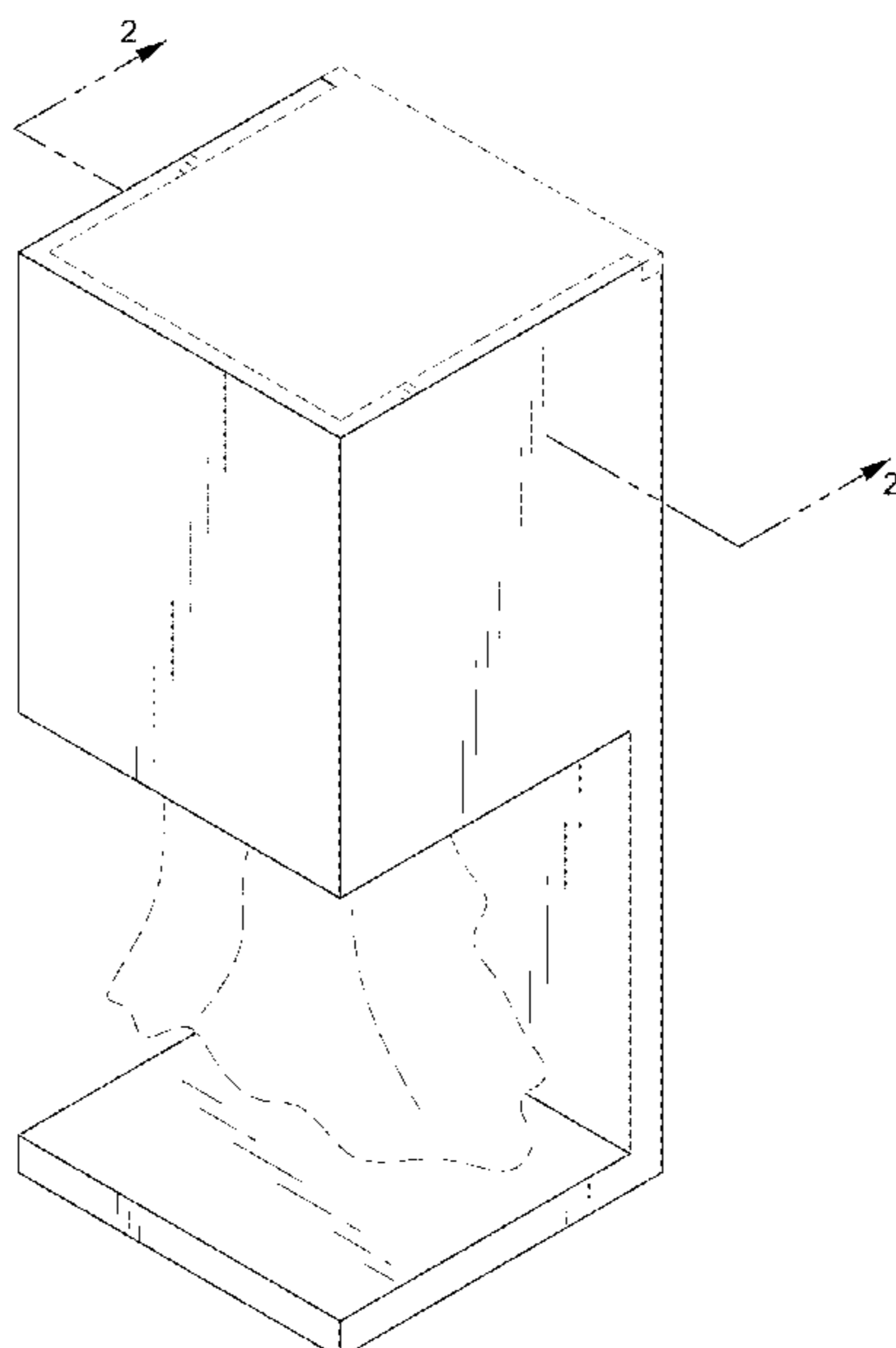
FIG. 10 is a front elevational view thereof shown in environmental use; and,

FIG. 11 is a front elevational view thereof shown in a second environmental use.

The broken lines shown represent unclaimed subject matter and form no part of the claimed design.

The short dash-long dash lines that indicate the plane upon which the cross-sectional view is taken form no part of the claimed design.

**1 Claim, 7 Drawing Sheets**



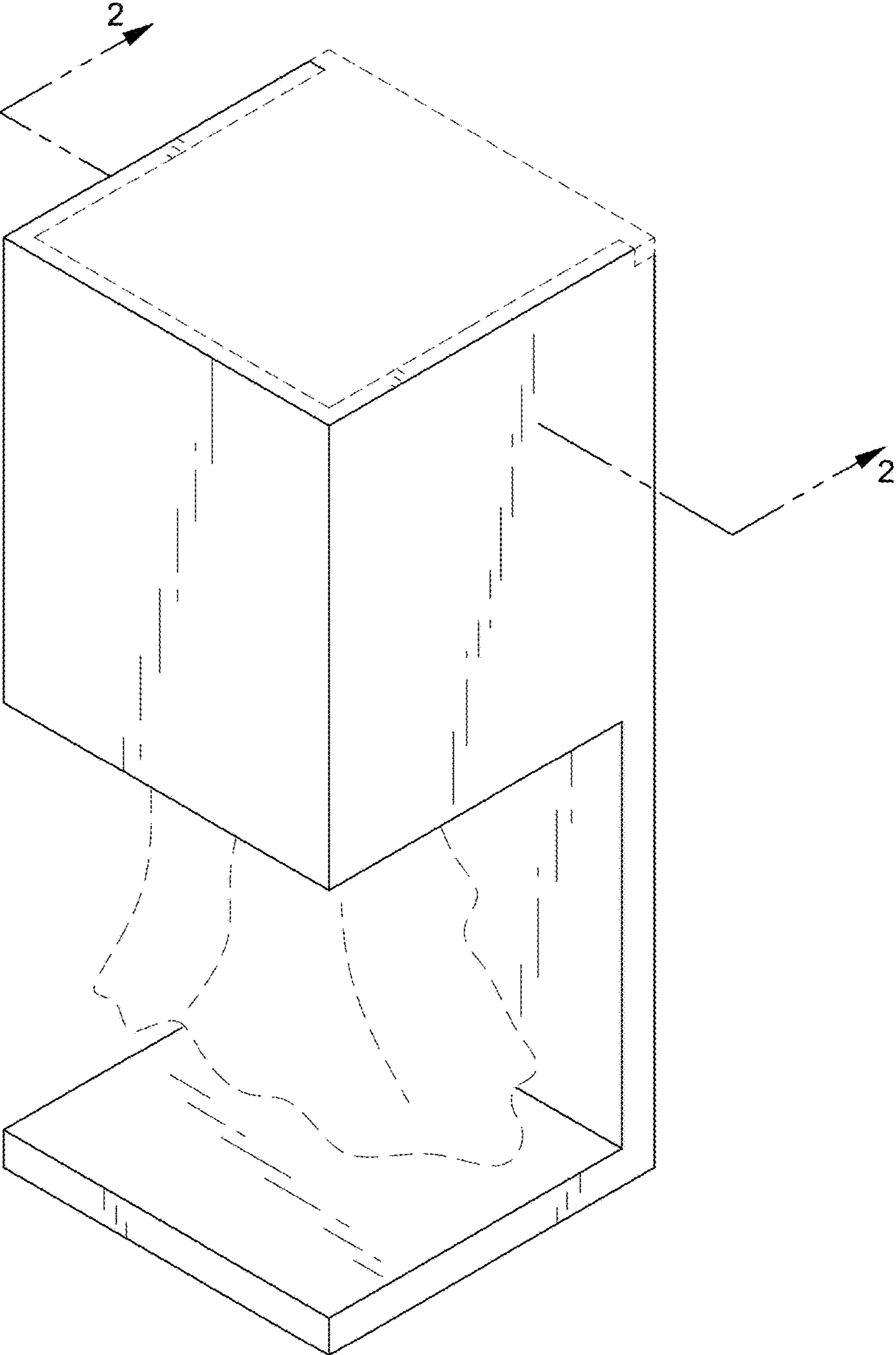


FIG. 1

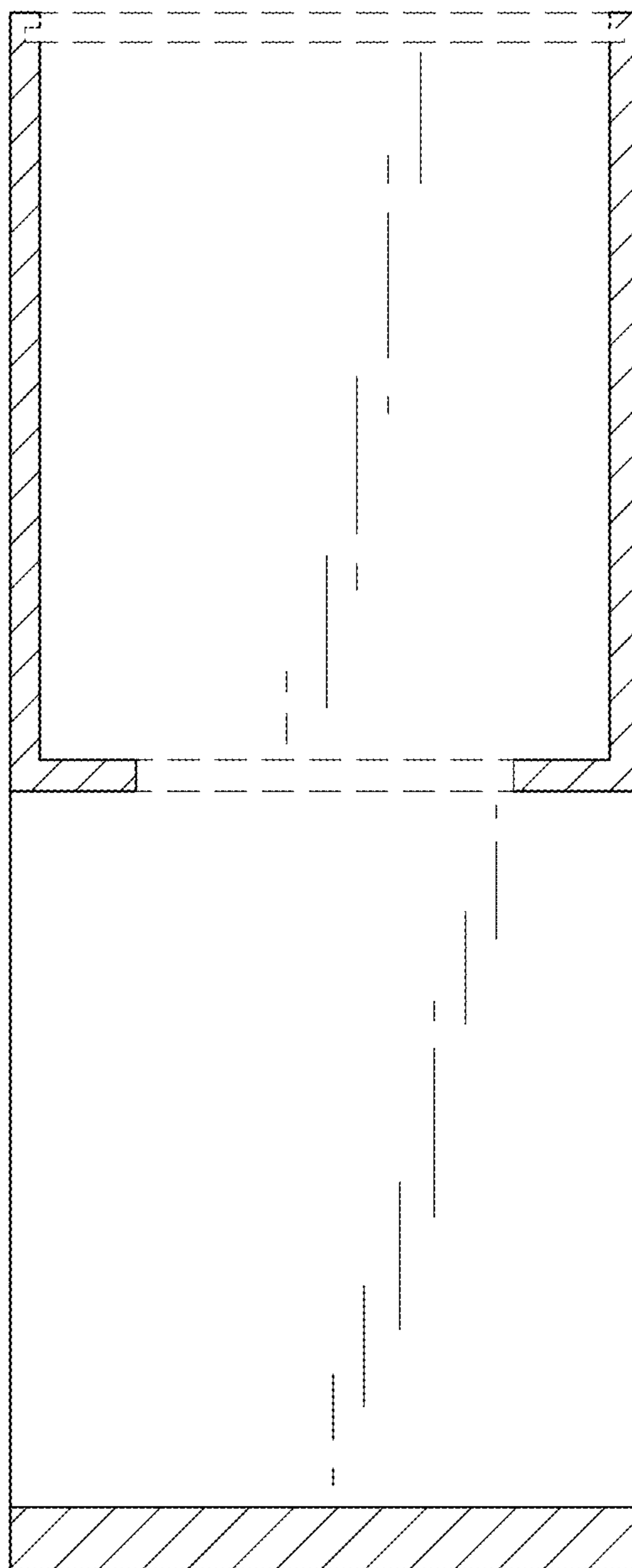


FIG. 2

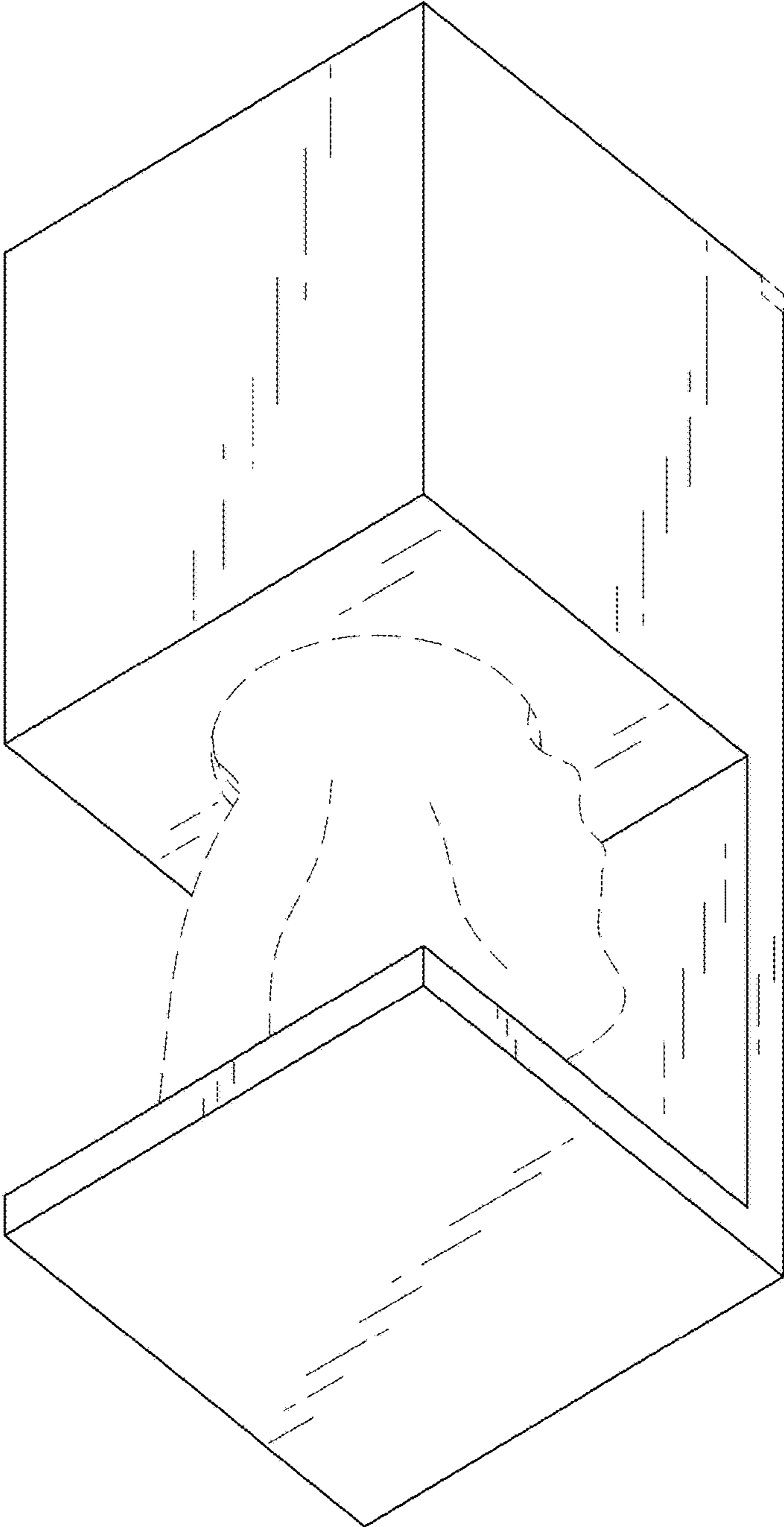


FIG. 3

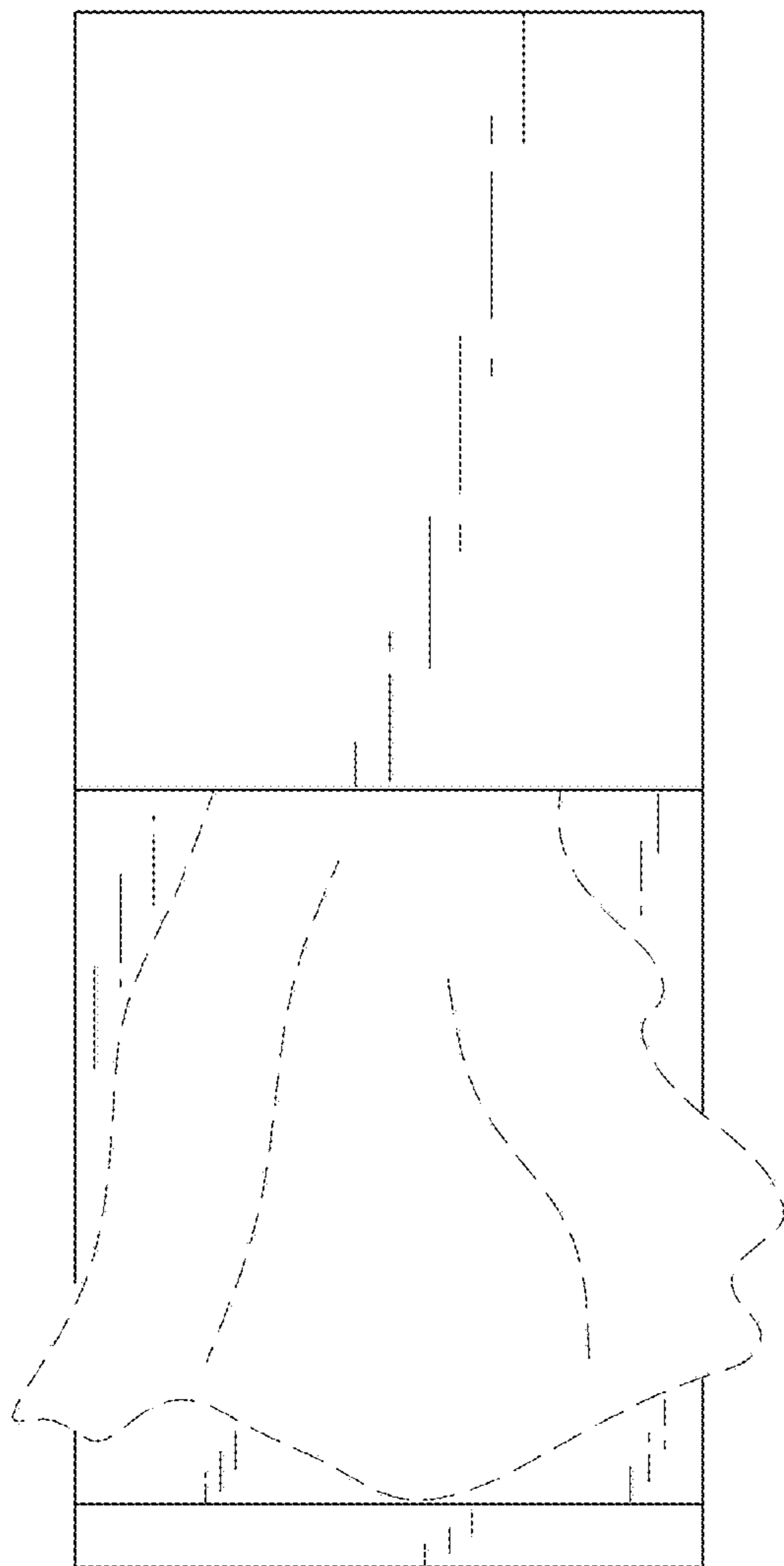


FIG. 4

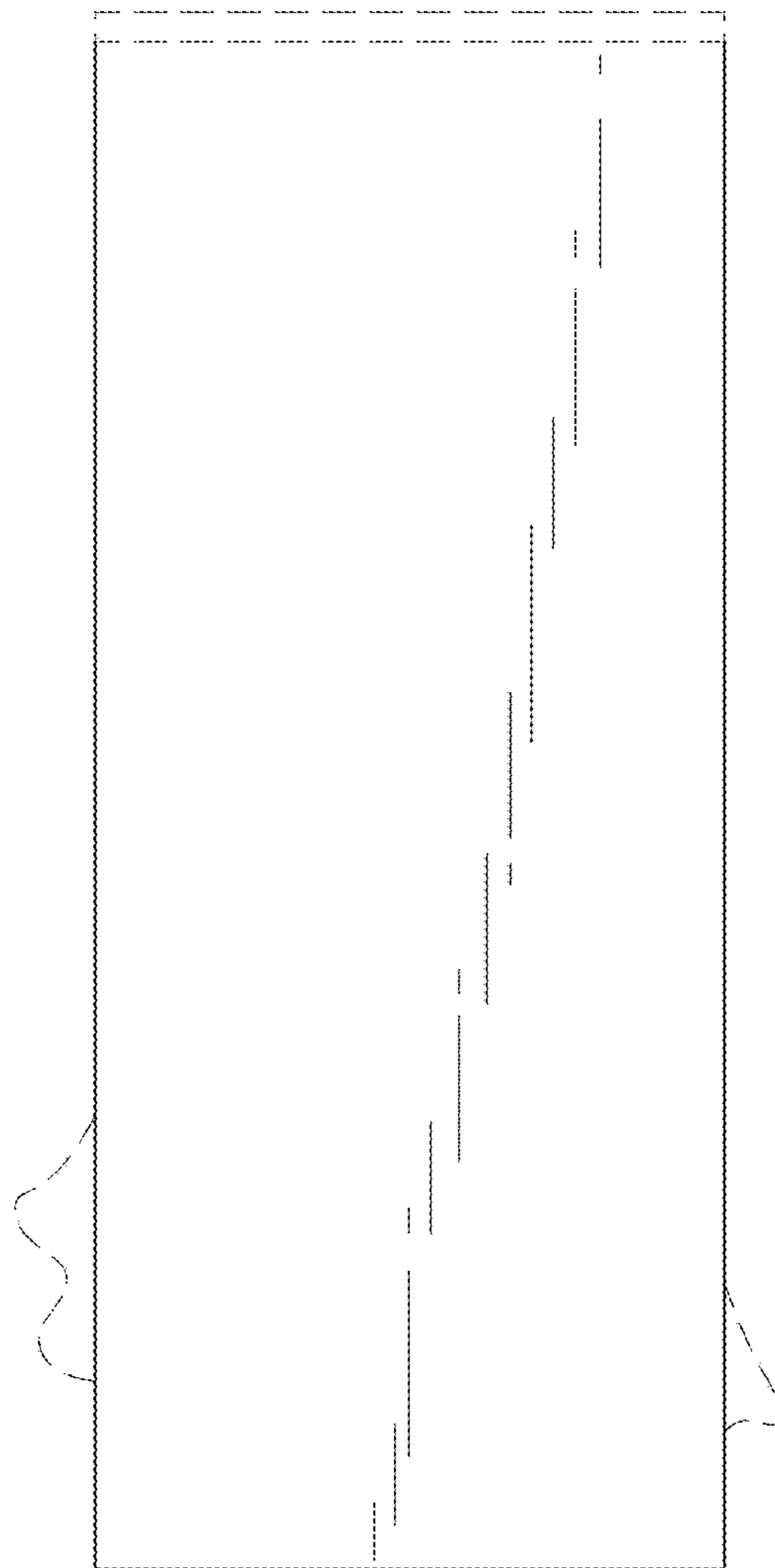


FIG. 5

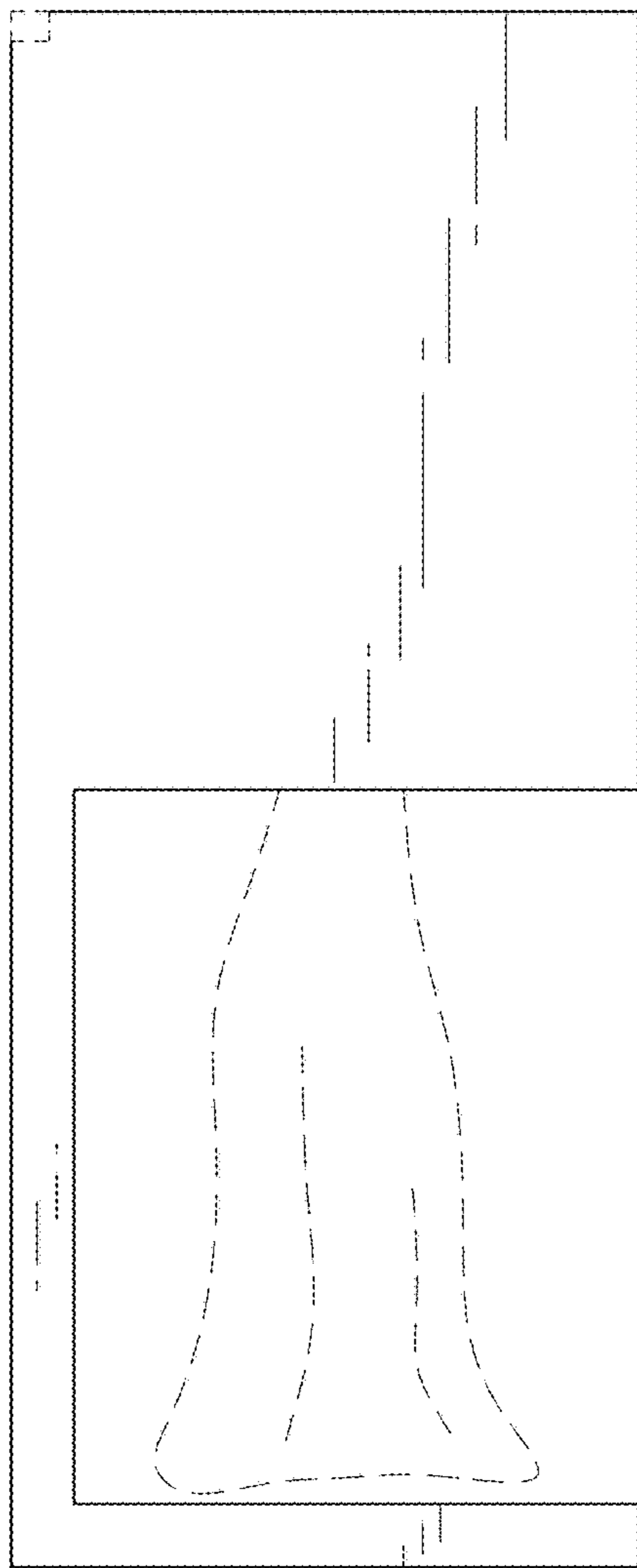


FIG. 6

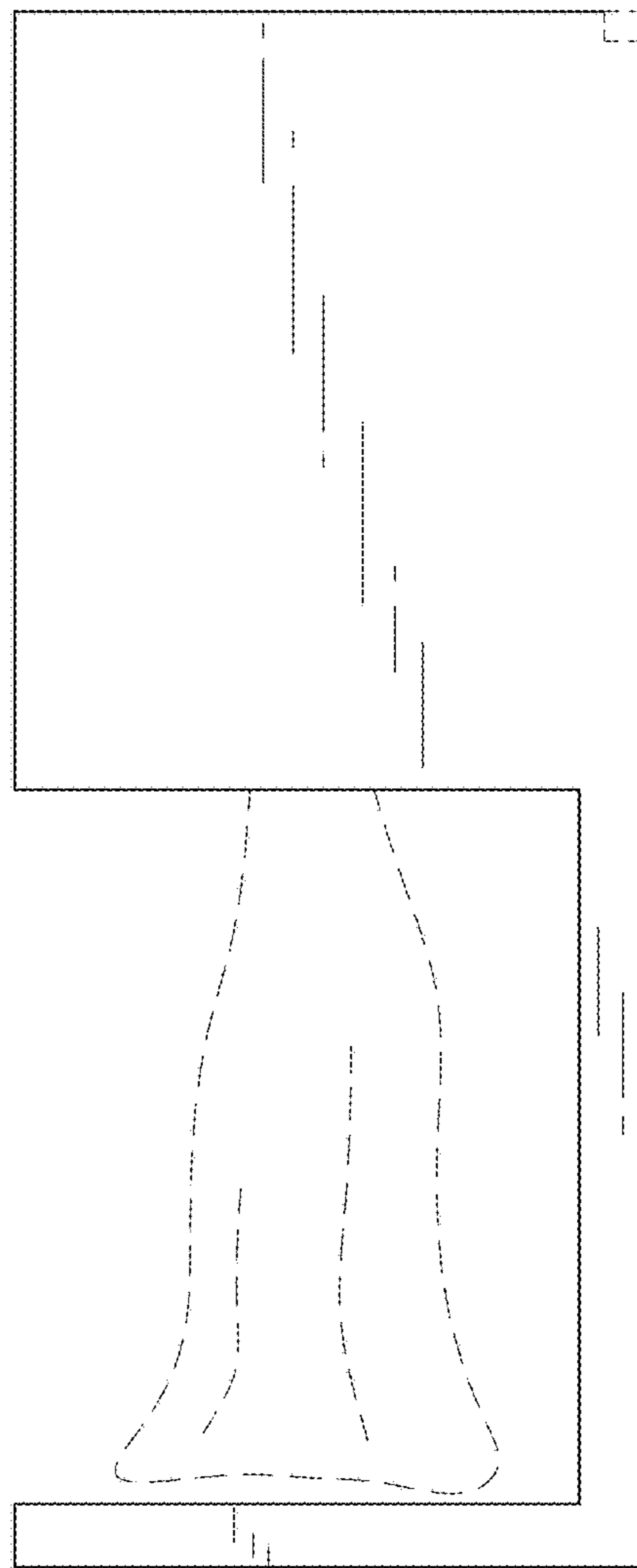


FIG. 7

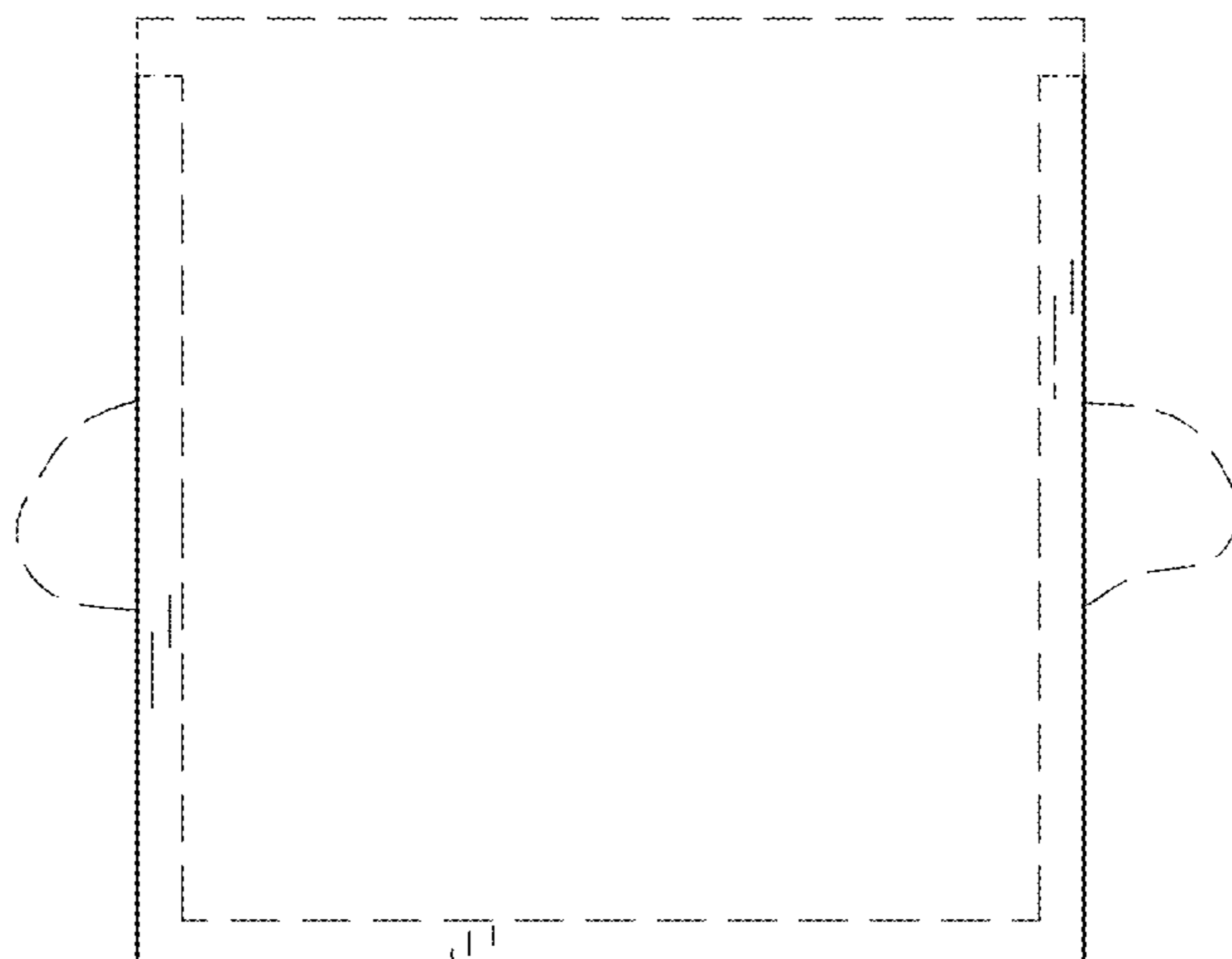


FIG. 8

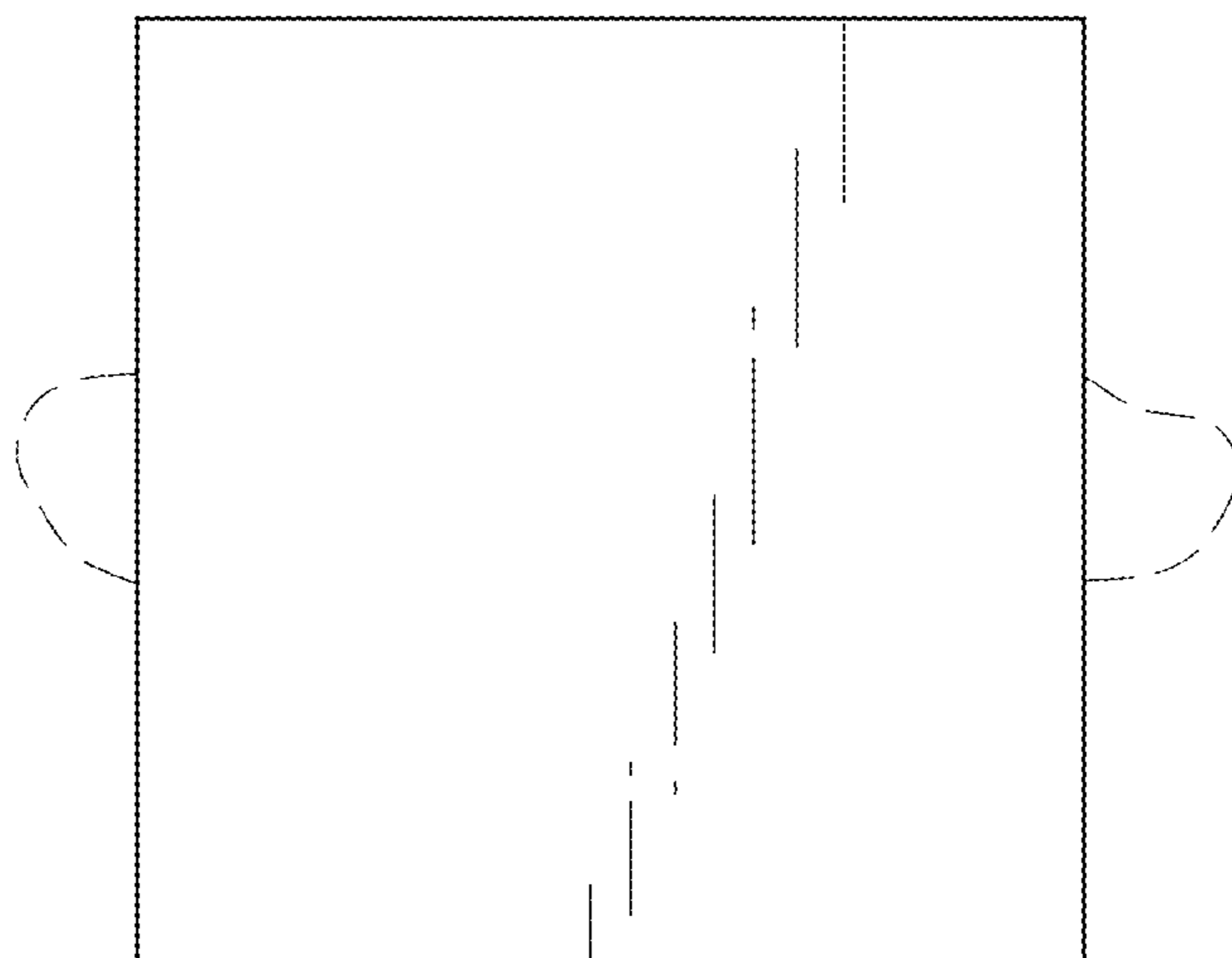


FIG. 9

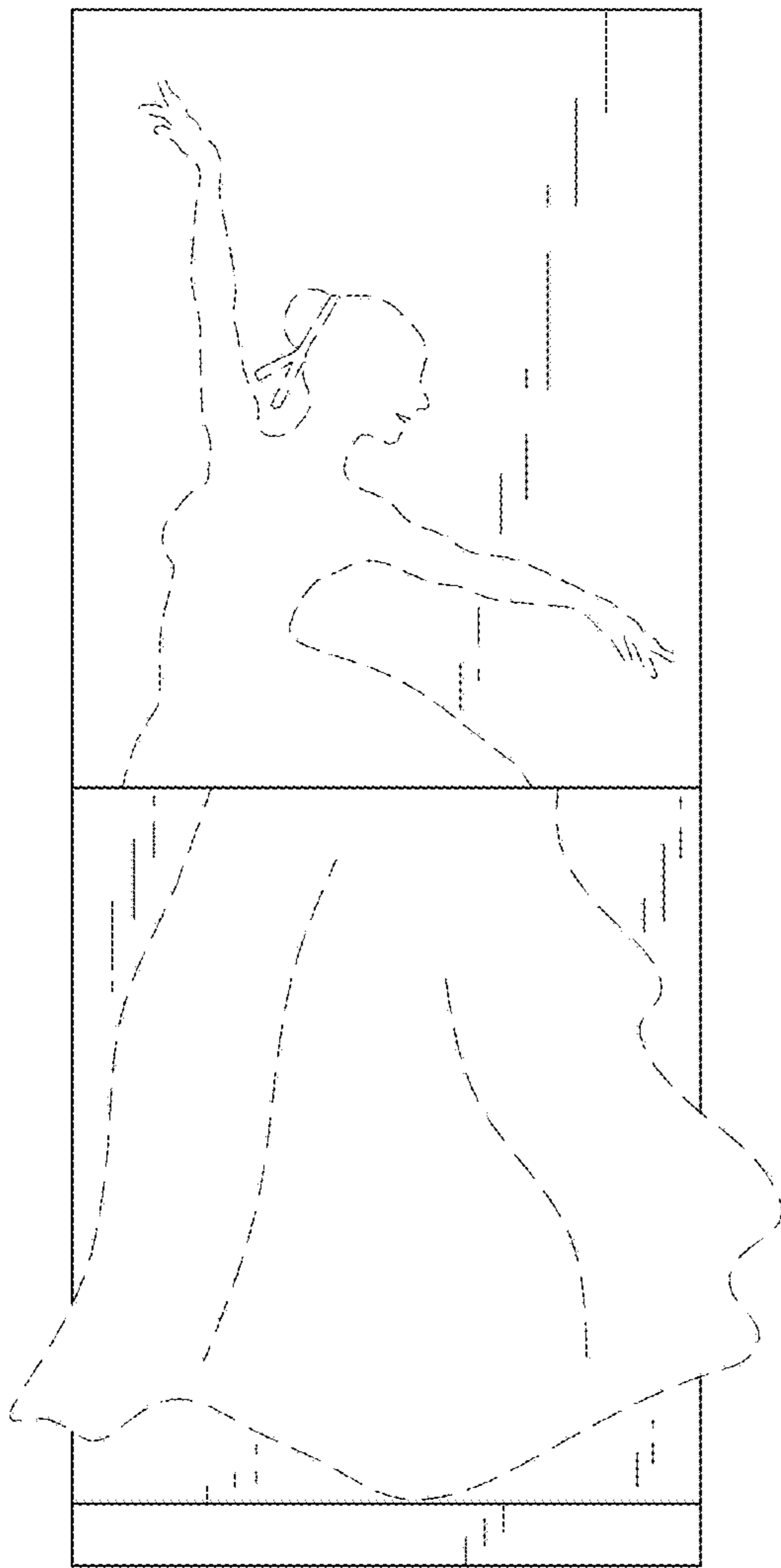


FIG. 10

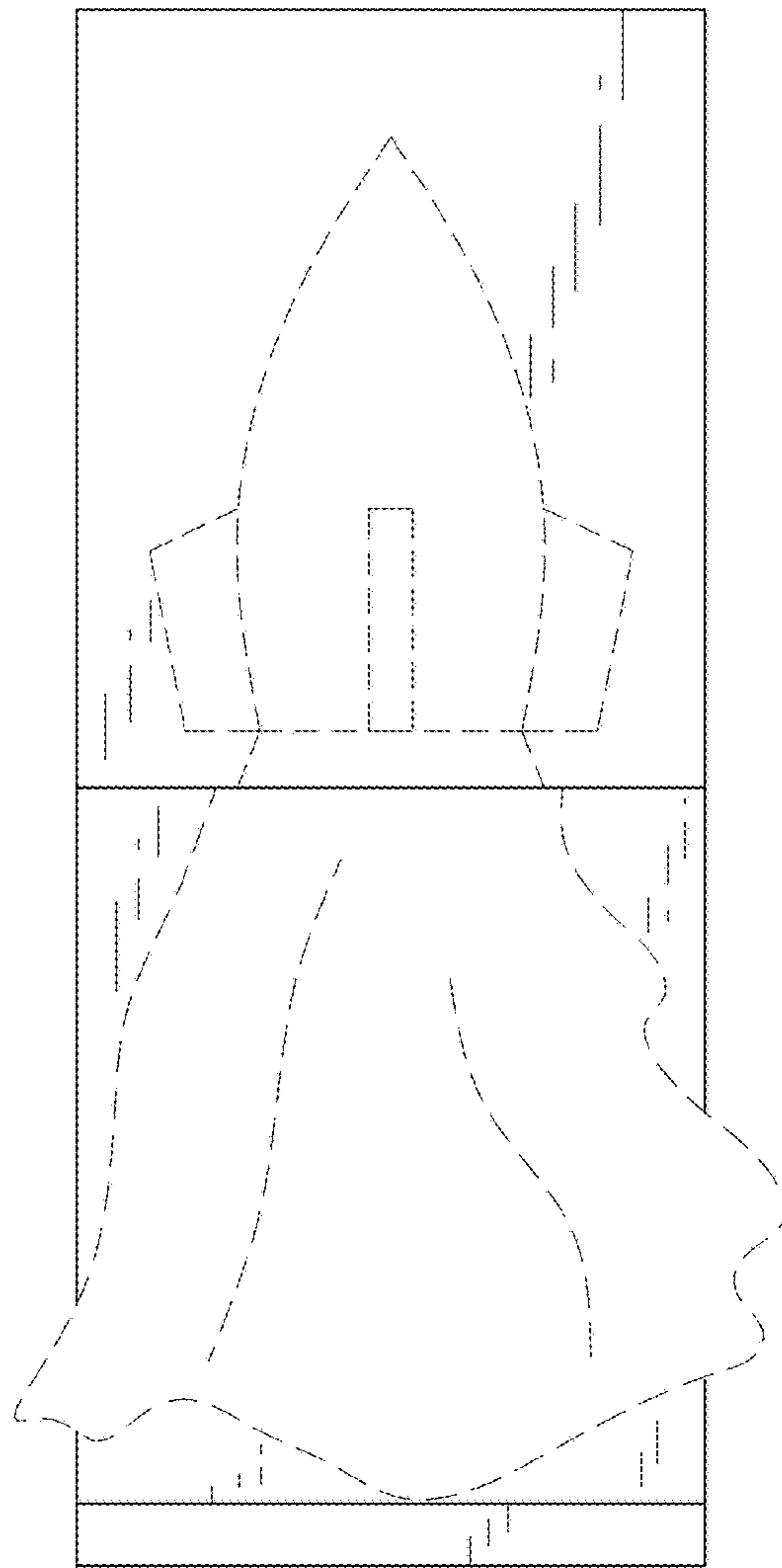


FIG. 11