



US00D782326S

(12) **United States Design Patent**
Fath et al.

(10) **Patent No.:** **US D782,326 S**
(45) **Date of Patent:** **** Mar. 28, 2017**

- (54) **PACKAGING SLEEVE**
- (71) Applicant: **Altria Client Services, Inc.**, Richmond, VA (US)
- (72) Inventors: **Scott A Fath**, Richmond, VA (US);
Ryan J Sousa, Mechanicsville, VA (US); **Steven R Rinehart**, Chesterfield, VA (US)
- (73) Assignee: **Altria Client Services LLC**, Richmond, VA (US)
- (**) Term: **14 Years**
- (21) Appl. No.: **29/515,679**
- (22) Filed: **Jan. 26, 2015**

Related U.S. Application Data

- (62) Division of application No. 29/481,522, filed on Feb. 6, 2014, now Pat. No. Des. 723,387, which is a division of application No. 29/450,161, filed on Mar. 15, 2013, now Pat. No. Des. 706,642.
- (51) **LOC (10) Cl.** **09-03**
- (52) **U.S. Cl.**
USPC **D9/715; D9/711**
- (58) **Field of Classification Search**
USPC D9/414, 418, 424, 432, 430, 433, 435, D9/436, 456, 702, 711, 713, 715; D27/186, 189; 206/216, 256, 389, 395, 206/396, 398, 461-471, 581, 736, 738, 206/756, 769, 779; 229/87.01, 87.05, 229/100, 101, 103.2, 106, 107, 108, 229/108.1, 125.01, 182.1, 200
CPC B65D 75/366; B65D 2571/0066; B65D 5/4204; B65D 2571/00141; B65D 75/32; B65D 2571/00728; B65D 5/4208; B65D 75/22; B65D 75/322; B65D 75/326; B65D 85/00; B65D 25/22; B65D 5/2033; B65D 5/4266; B65D 5/02; B65D 5/2047;

B65D 2543/00194; B65D 5/48014; B65D 5/5016; B65D 5/5035; B65D 75/20; B65D 75/04; B65D 77/003; B65D 25/04; B65D 25/20; Y10S 206/822; Y10S 206/804; Y10S 229/919

See application file for complete search history.

(56) **References Cited**

U.S. PATENT DOCUMENTS

1,844,066 A	2/1932	Hughes
2,064,590 A	12/1936	Cunningham
2,129,447 A	9/1938	Schuler
2,217,397 A	10/1940	Armitt
D159,872 S	8/1950	Skold

(Continued)

Primary Examiner — Derrick Holland

Assistant Examiner — Lauren Calve

(74) *Attorney, Agent, or Firm* — Buchanan Ingersoll & Rooney PC

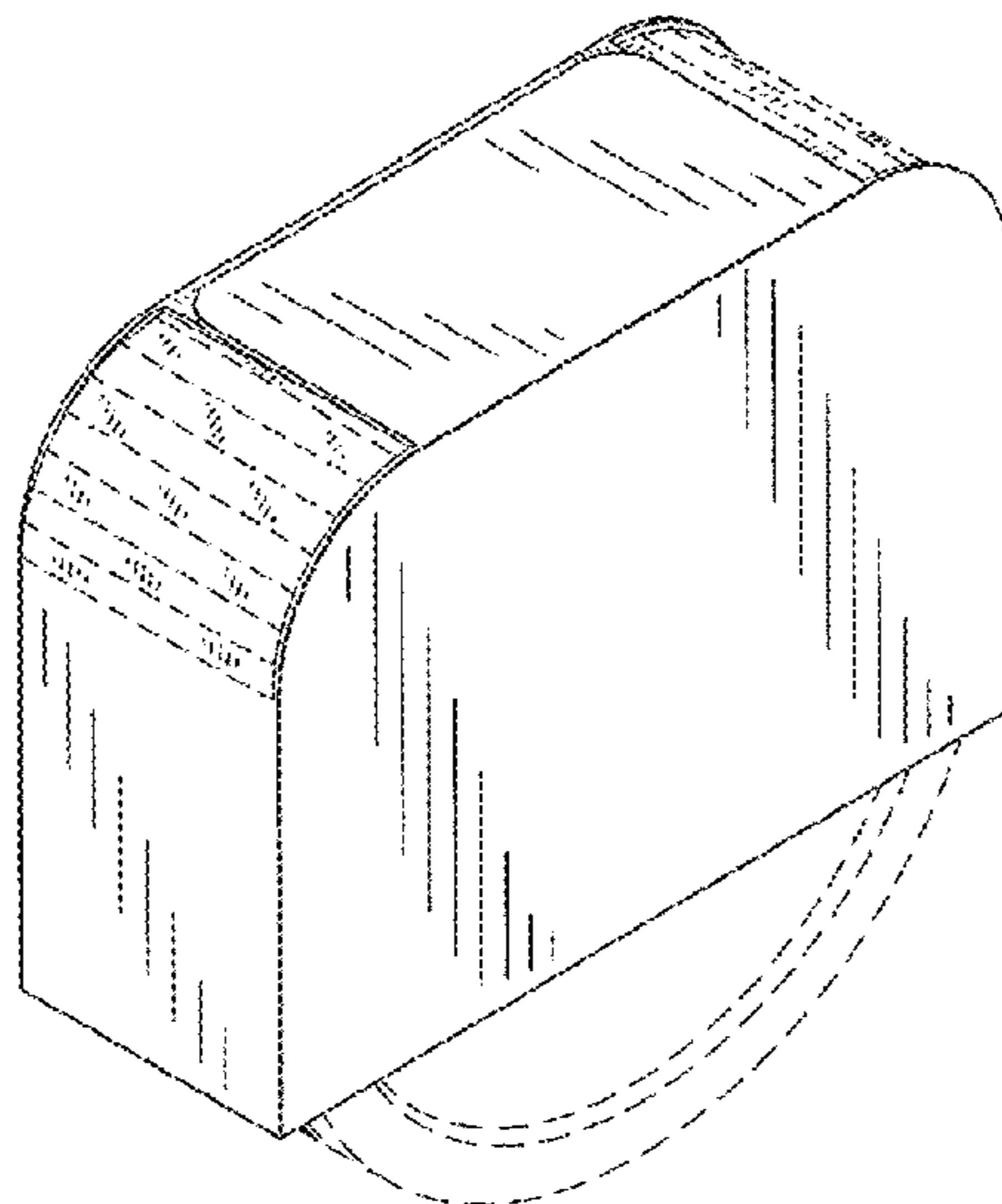
(57) **CLAIM**

The ornamental design for a packaging sleeve, as shown and described.

DESCRIPTION

FIG. 1 is a front, top perspective view of a packaging sleeve showing our new design.
FIG. 2 is a front, bottom perspective view thereof.
FIG. 3 is a front elevational view thereof.
FIG. 4 is a rear elevational view thereof.
FIG. 5 is a left side elevational view thereof.
FIG. 6 is a right side elevational view thereof.
FIG. 7 is a top plan view thereof; and,
FIG. 8 is a bottom plan view thereof.
The broken lines shown represent unclaimed subject matter and form no part of the claimed design.

1 Claim, 4 Drawing Sheets



(56)

References Cited

U.S. PATENT DOCUMENTS

2,610,781	A	9/1952	Metzger	
3,334,732	A	8/1967	Haffey et al.	
3,391,782	A *	7/1968	Kaspar	A47G 21/001 206/525
3,469,680	A	9/1969	Walz	
3,765,529	A	10/1973	Mueller	
D295,958	S	5/1988	Pugh	
4,844,373	A	7/1989	Fike, Sr.	
D302,948	S	8/1989	Blum et al.	
5,022,577	A	6/1991	Fike	
D319,179	S	8/1991	Holder	
D336,071	S	6/1993	Ottosen	
5,344,008	A	9/1994	DeBlasio et al.	
D360,528	S	7/1995	Caligiuri	
5,860,587	A	1/1999	Young	
D455,958	S	4/2002	Burrus	
D509,147	S	9/2005	Selby	
D591,902	S	5/2009	Bray et al.	
D603,090	S	10/2009	Bray et al.	
D607,319	S	1/2010	Collins	
D621,282	S	8/2010	Yagi	
D664,043	S	7/2012	Hofmann et al.	
8,225,985	B2	7/2012	Oliveira	
D694,623	S	12/2013	Bellamah	
D706,642	S	6/2014	Fath et al.	
8,915,365	B2 *	12/2014	Fath	B65D 77/0426 206/242
D723,387	S *	3/2015	Fath	D9/711
D751,417	S *	3/2016	Fan	D9/721
D751,418	S *	3/2016	Fan	D9/721
2003/0183542	A1 *	10/2003	Bordon	B65D 85/06 206/304.2
2007/0199980	A1 *	8/2007	Oliveira	B65D 5/02 229/107

* cited by examiner

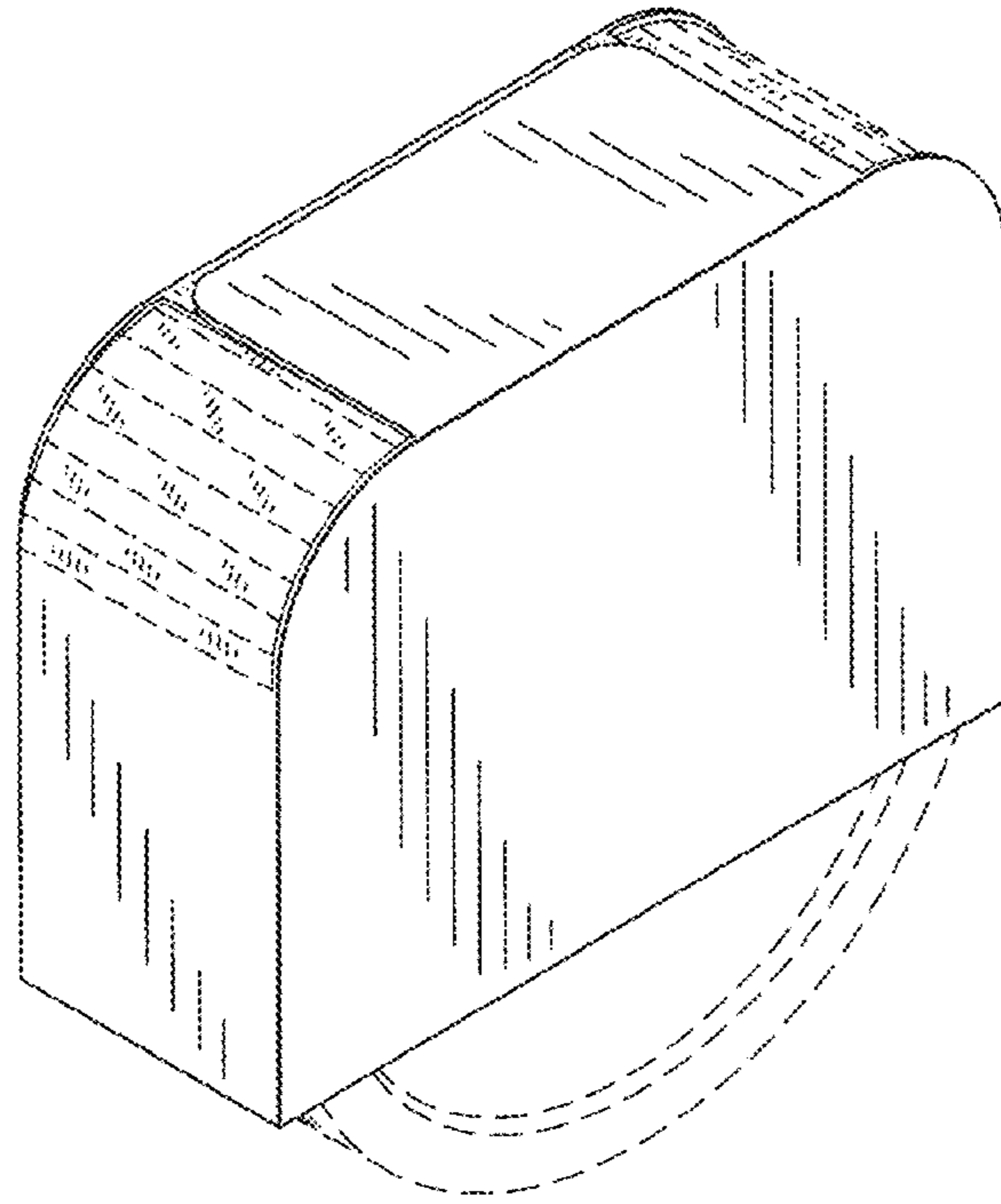


FIG. 1

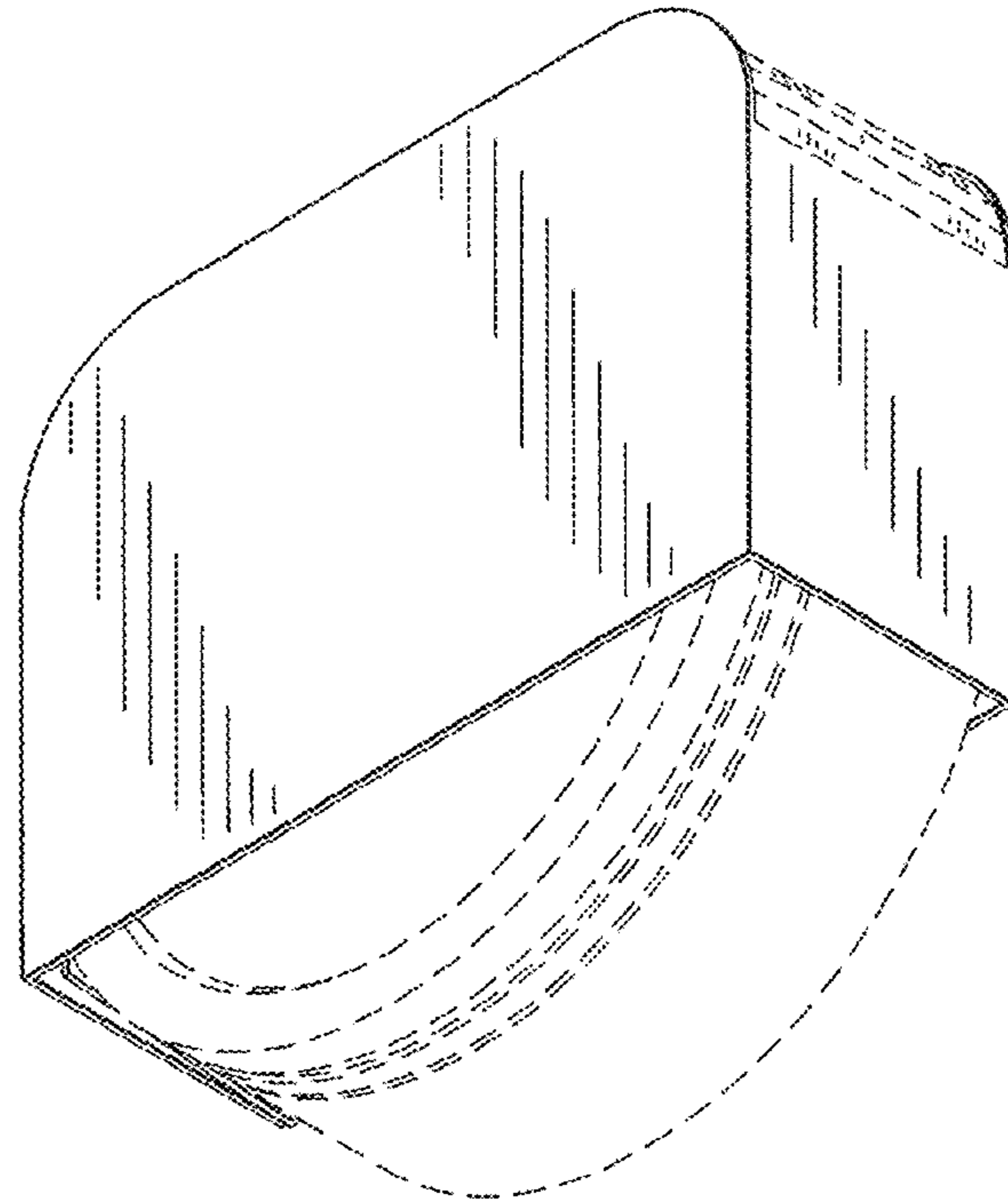


FIG. 2

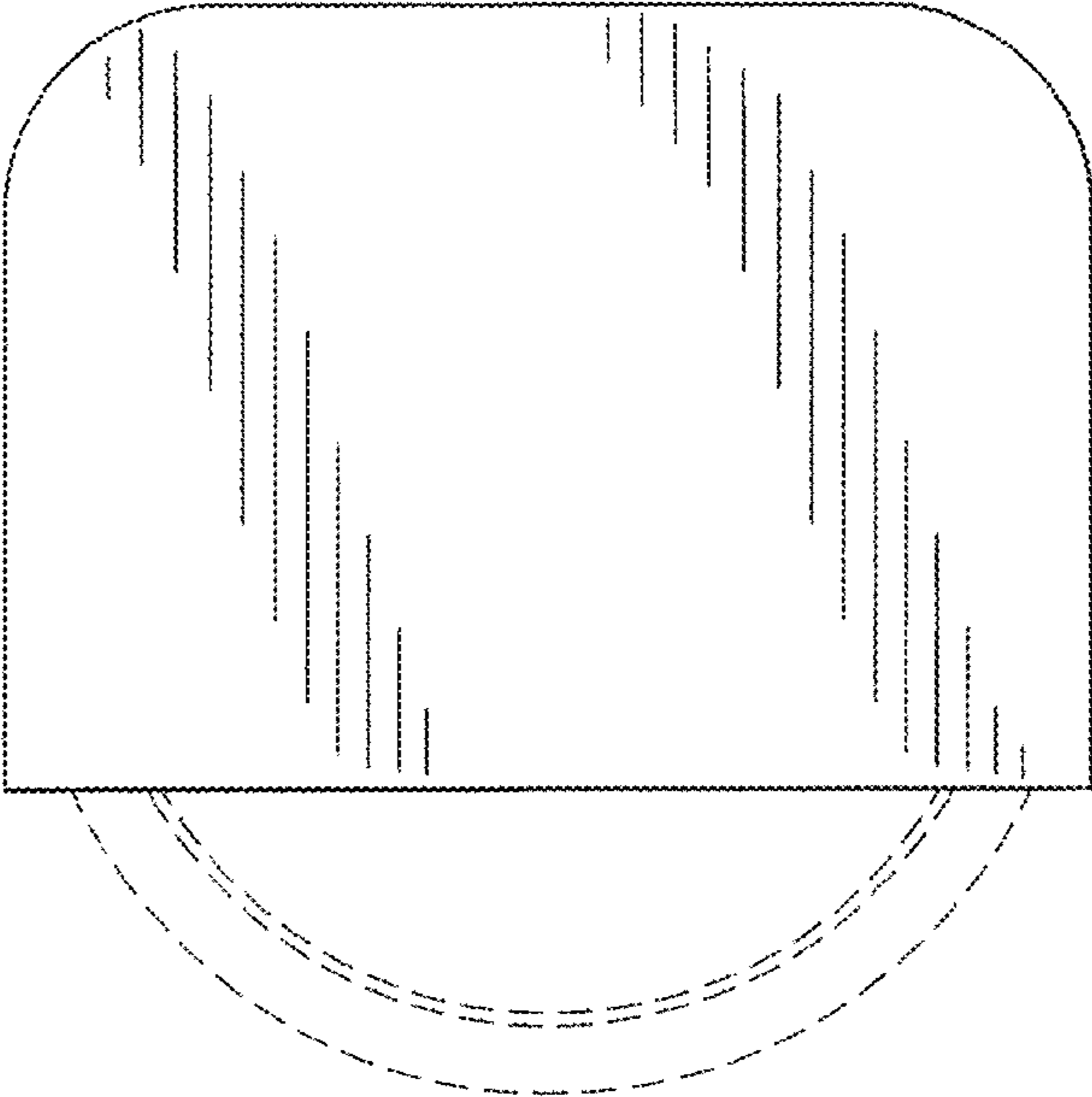


FIG. 3

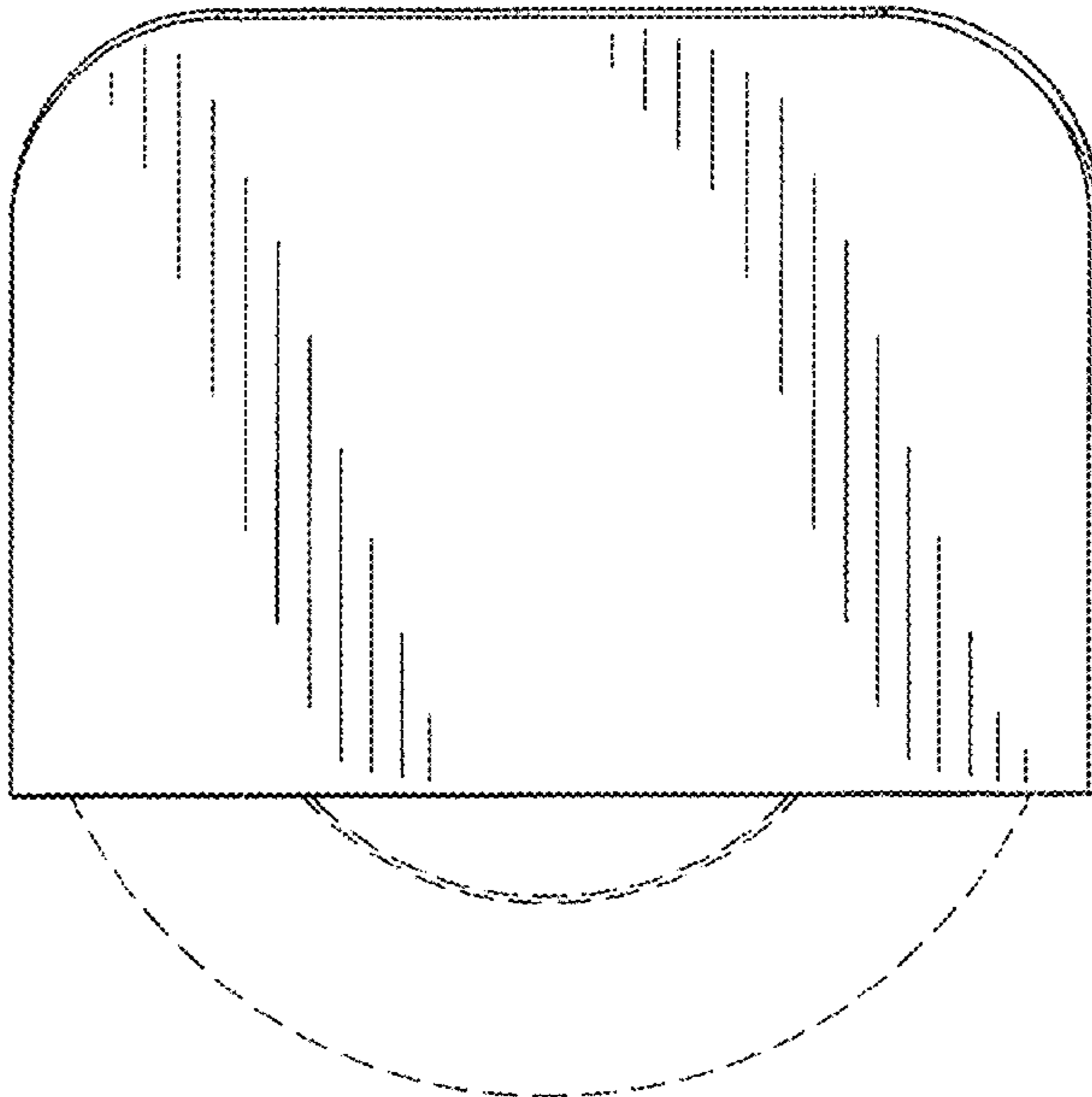


FIG. 4

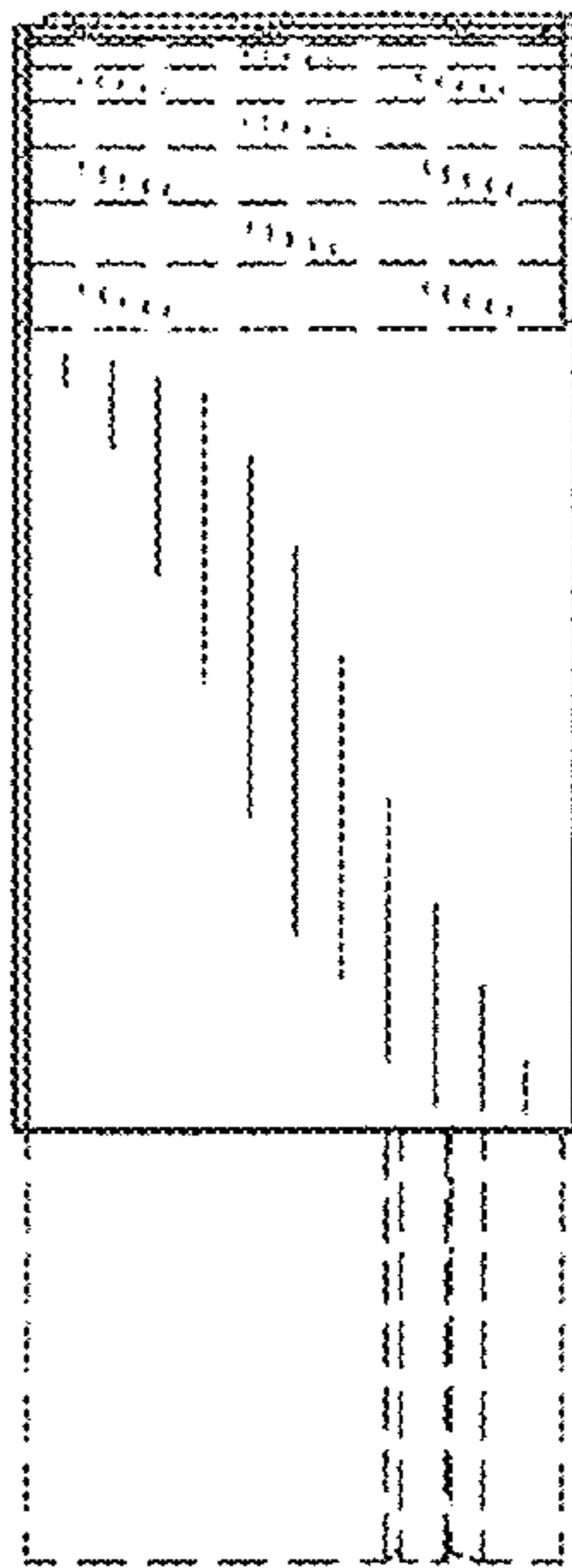


FIG. 5

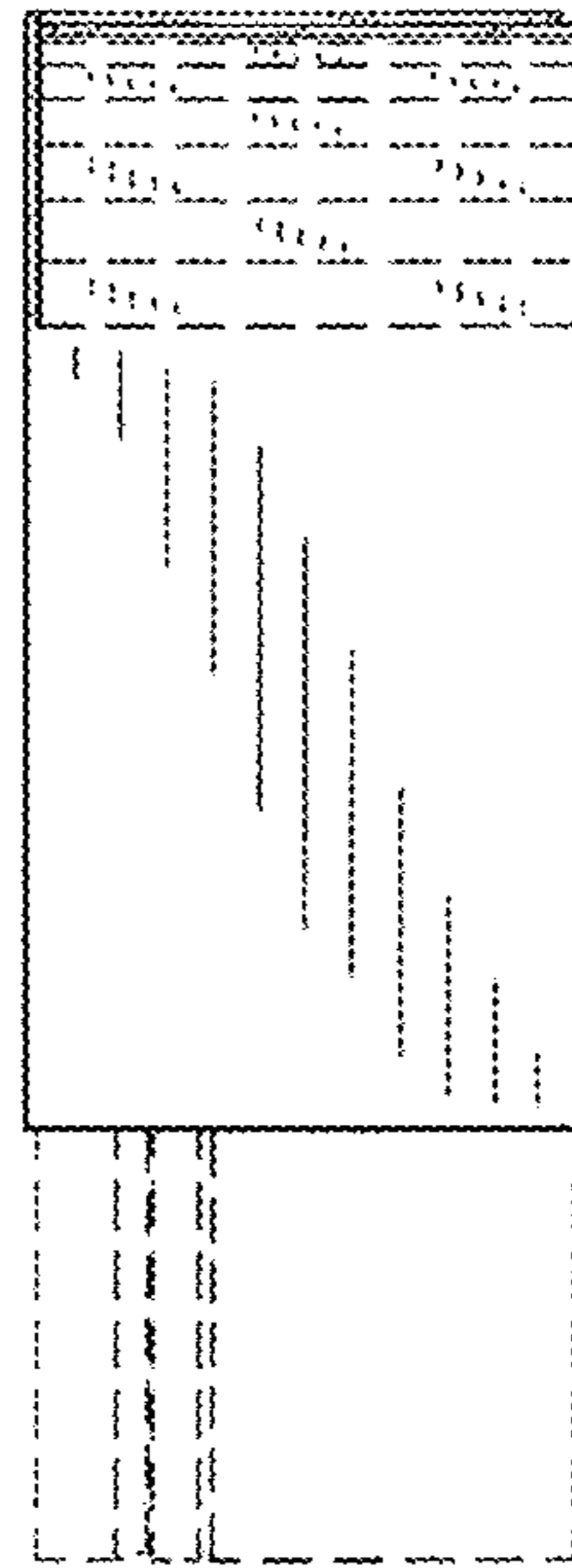


FIG. 6

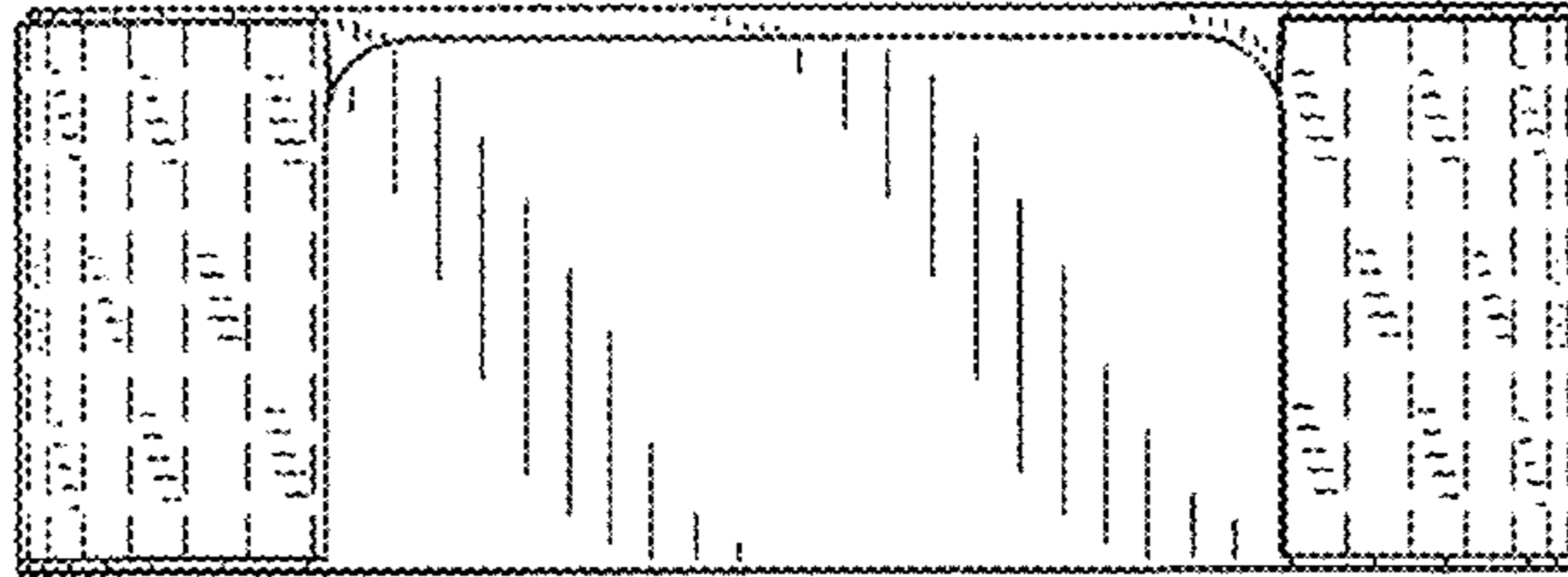


FIG. 7

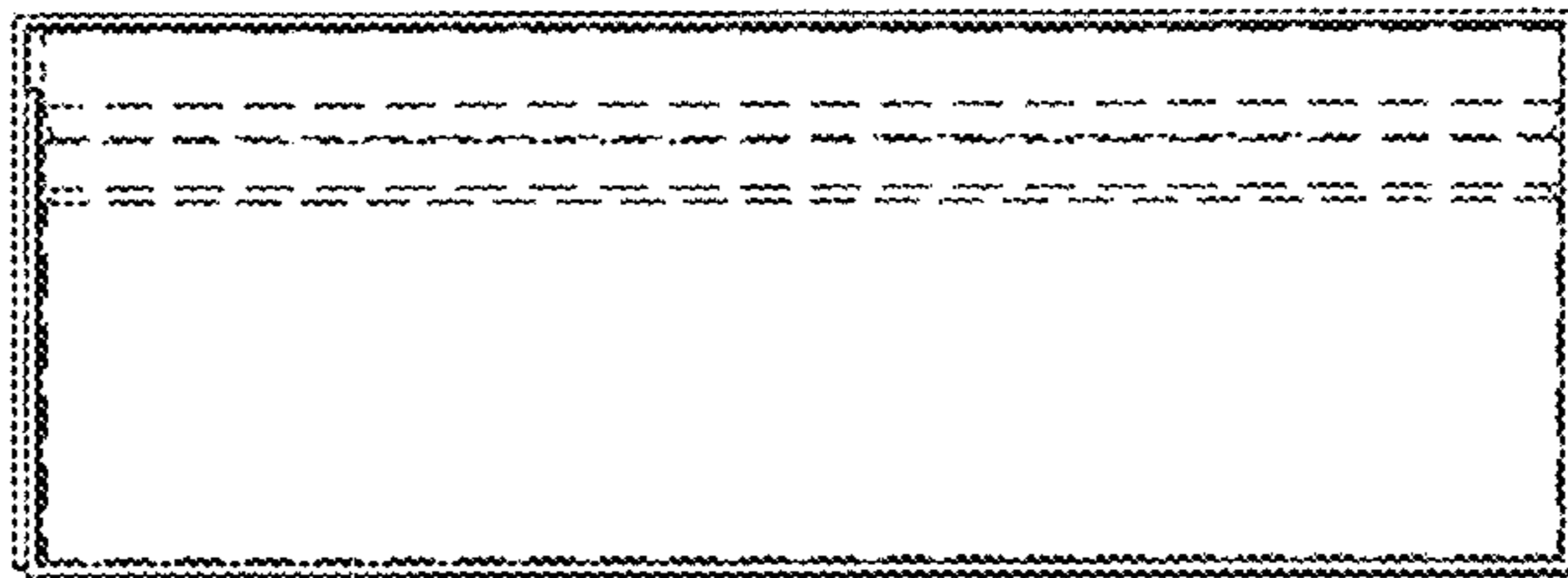


FIG. 8