



US00D782325S

(12) **United States Design Patent**
Gray

(10) **Patent No.:** **US D782,325 S**

(45) **Date of Patent:** **** Mar. 28, 2017**

(54) **CONDOM PACKAGE**

(71) Applicant: **William R. Gray**, Raleigh, NC (US)

(72) Inventor: **William R. Gray**, Raleigh, NC (US)

(**) Term: **15 Years**

(21) Appl. No.: **29/528,589**

(22) Filed: **May 29, 2015**

(51) **LOC (10) Cl.** **09-05**

(52) **U.S. Cl.**

USPC **D9/707**

(58) **Field of Classification Search**

USPC D9/702-714, 695-699, 720-722, 414,
D9/424, 426, 416, 428; 206/484, 438;
222/143, 92, 107; 383/127, 37, 38, 103,
383/107, 113, 61.1, 9, 15-16, 906;
68/17 R, 12.18, 207; D27/183, 185;
D24/115, 224, 118; 604/231, 217;
229/72, 200, 87.06, 87.08, 87.05;
D28/8.1; D7/601, 605, 608, 611
CPC B65D 2543/00296; B65D 2543/00685;
B65D 2543/00796; B65D 2543/0037;
B65D 1/00; B65D 1/0223; B65D 51/24;
B65D 75/008; B65D 75/5855; B65D
2101/0023; B65D 2101/0015; B65D
17/161; B65D 71/163; B65D 71/168;
A61F 2006/047; A61F 13/551; A61F
13/5511

See application file for complete search history.

(56) **References Cited**

U.S. PATENT DOCUMENTS

4,875,491 A * 10/1989 Parrone A61F 6/04
128/844
D362,972 S 10/1995 Wunsch
D368,026 S 3/1996 Fields

D447,942 S 9/2001 Hunter
D453,681 S 2/2002 Kursner
D462,900 S * 9/2002 Yamada D9/707
(Continued)

Primary Examiner — Abraham Bahta

(74) *Attorney, Agent, or Firm* — Brian B. Shaw, Esq.;
Harter Secrest & Emery LLP

(57) **CLAIM**

The ornamental design for a condom package, as shown and described.

DESCRIPTION

FIG. 1 is a perspective view of a first embodiment of a condom package showing the new design.

FIG. 2 is a top view thereof;

FIG. 3 is a left side view thereof;

FIG. 4 is a bottom view thereof;

FIG. 5 is a right side view thereof;

FIG. 6 is a top view thereof;

FIG. 7 is a bottom view thereof;

FIG. 8 is a perspective view of the second embodiment of the condom package;

FIG. 9 is a top view thereof;

FIG. 10 is a left side view thereof;

FIG. 11 is a bottom view thereof;

FIG. 12 is a right side view thereof;

FIG. 13 is a top view thereof;

FIG. 14 is a bottom view thereof;

FIG. 15 is a perspective view of the third embodiment of the condom package;

FIG. 16 is top view thereof;

FIG. 17 is a left side view thereof;

FIG. 18 is bottom view thereof;

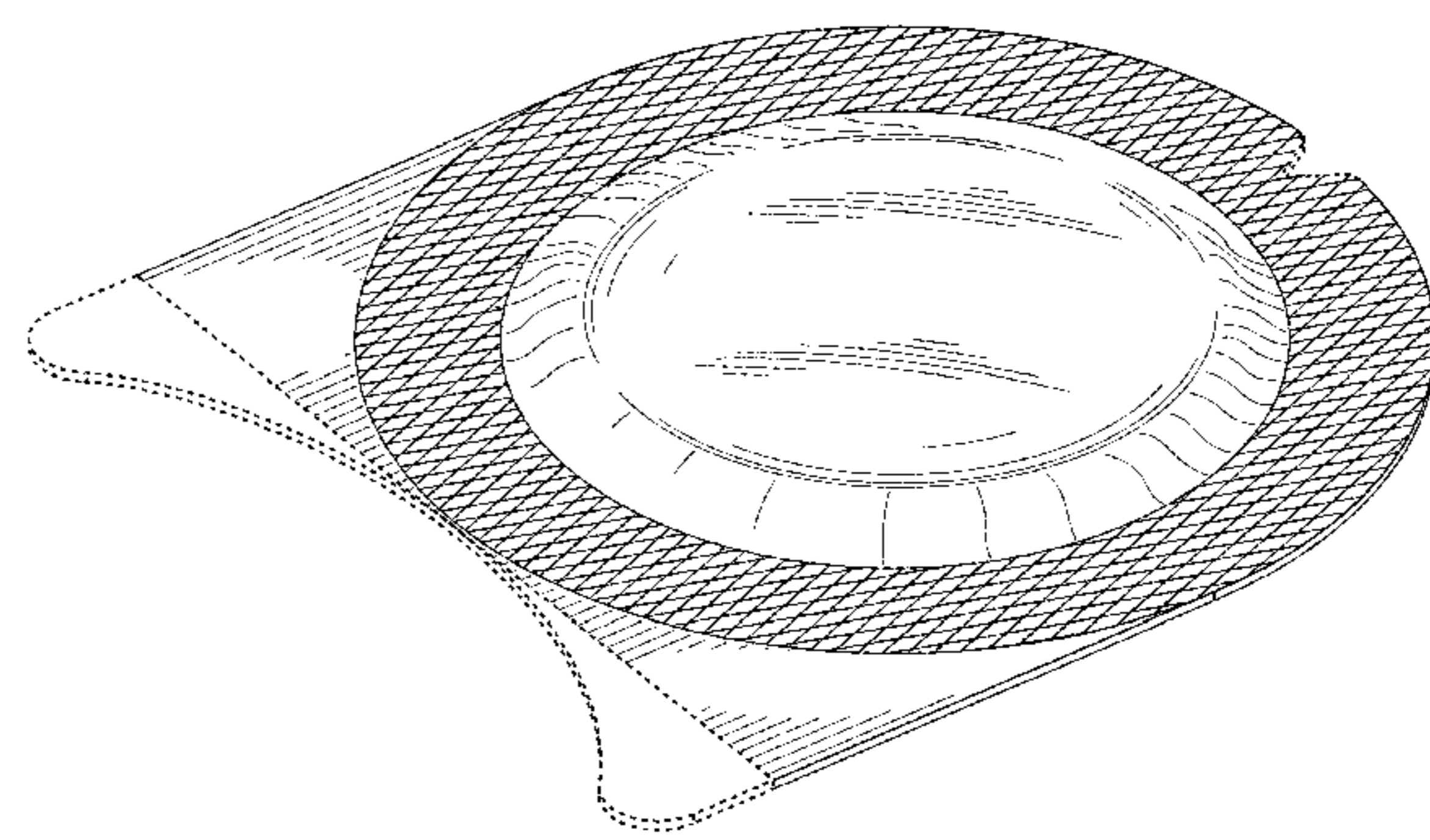
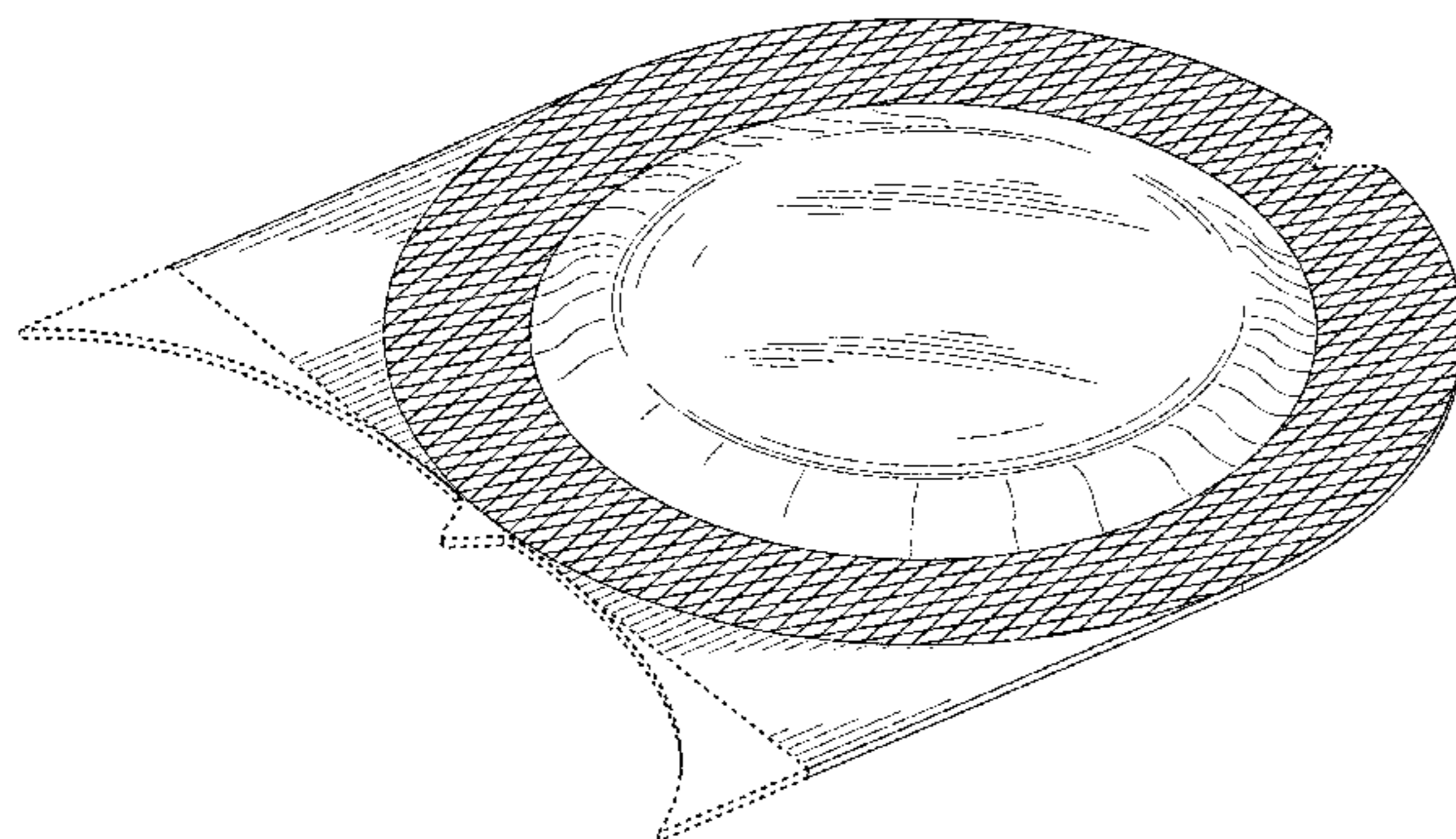
FIG. 19 is a right side view thereof;

FIG. 20 is a top view thereof; and,

FIG. 21 is a bottom view thereof.

The broken lines in the Figures show portions of the condom package which form no part of the claimed design.

1 Claim, 18 Drawing Sheets



(56)

References Cited

U.S. PATENT DOCUMENTS

D483,559 S	12/2003	Eldon, III et al.	
D538,157 S	3/2007	Boyner	
D614,042 S	4/2010	Mazzotta	
D720,213 S	12/2014	Lee	
D722,275 S *	2/2015	Lee	D9/703
D726,547 S *	4/2015	Lee	D9/629
2010/0078032 A1 *	4/2010	Sarros	A61F 6/00 128/844

* cited by examiner

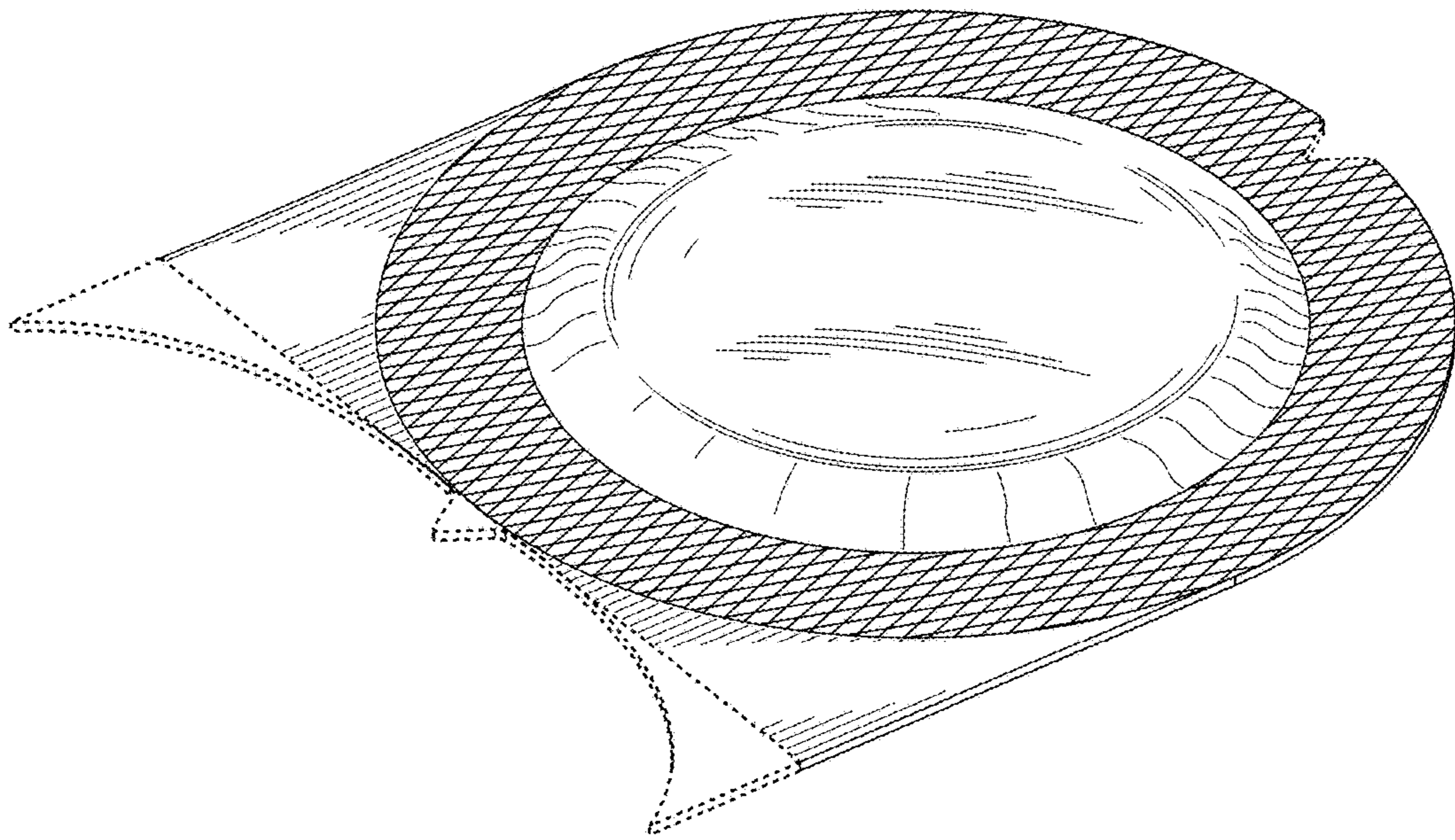


FIG. 1

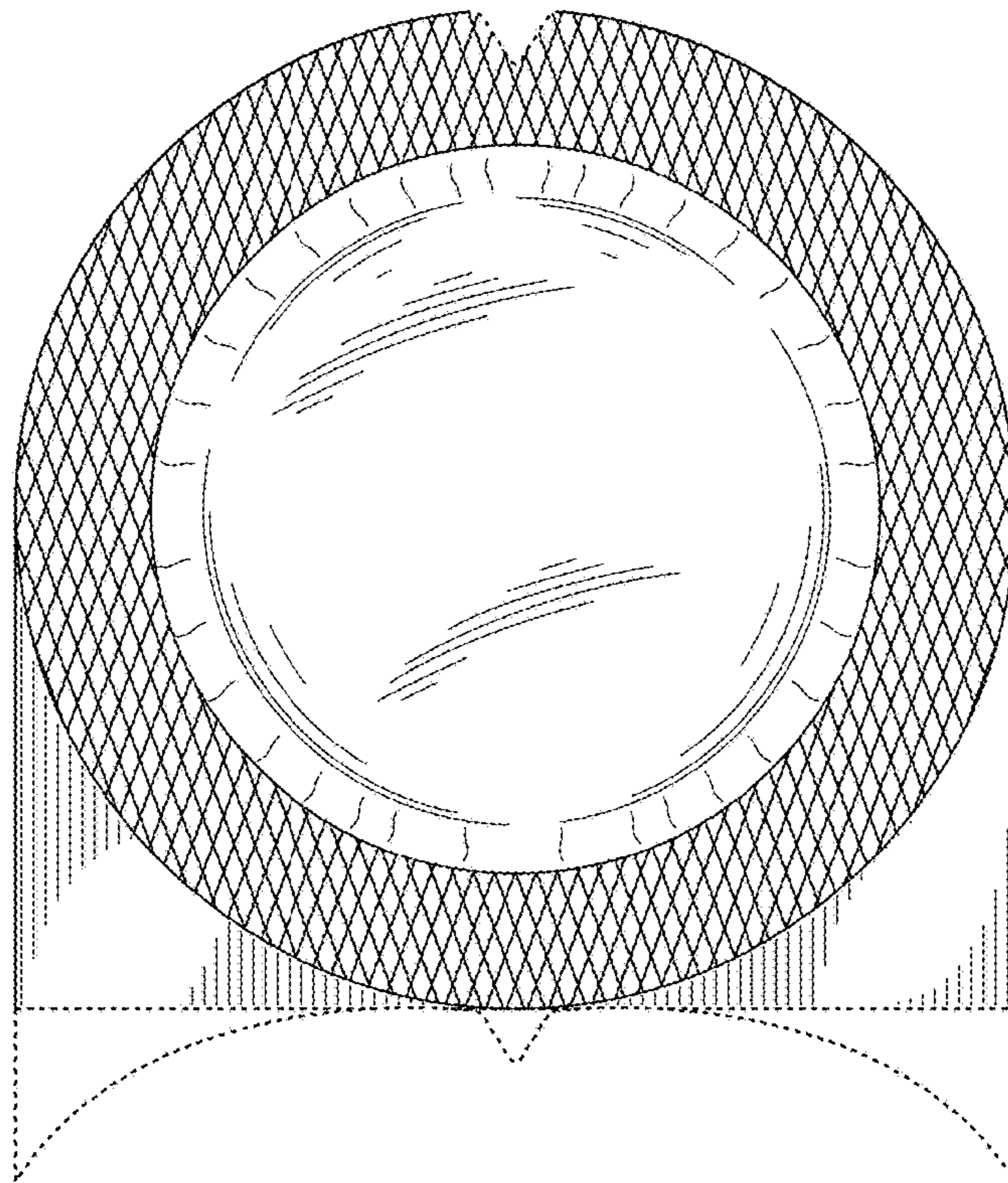


FIG. 2

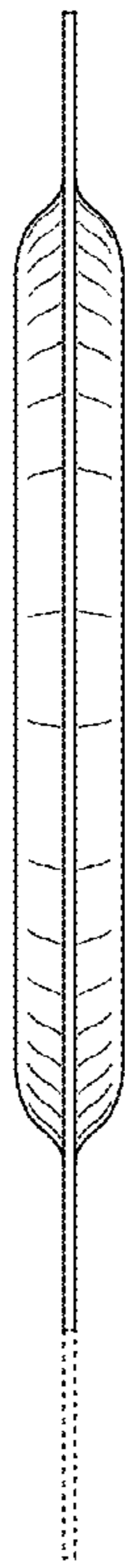


FIG. 3

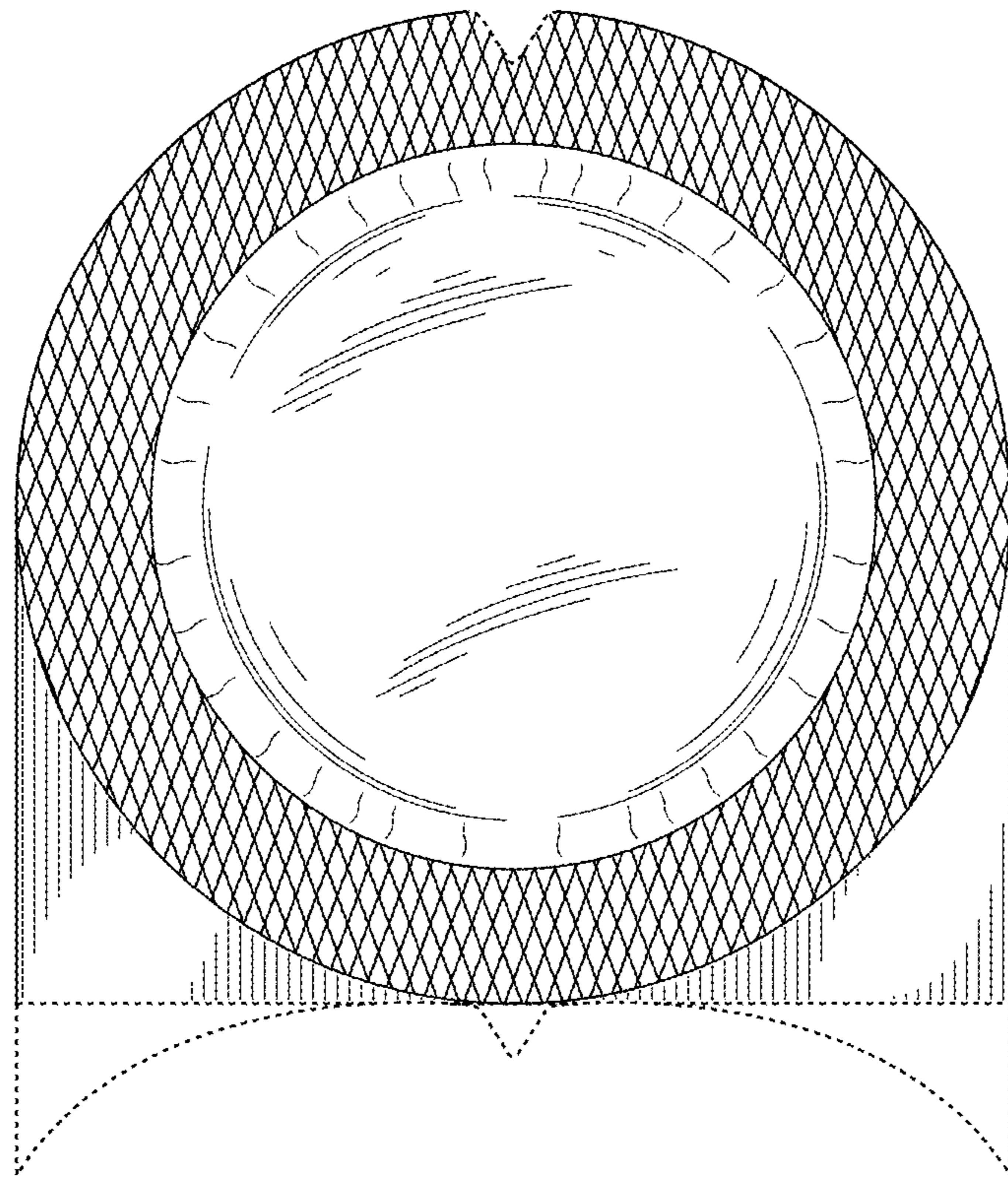


FIG. 4

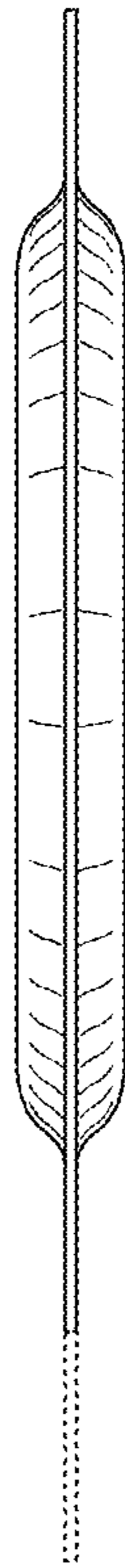


FIG. 5

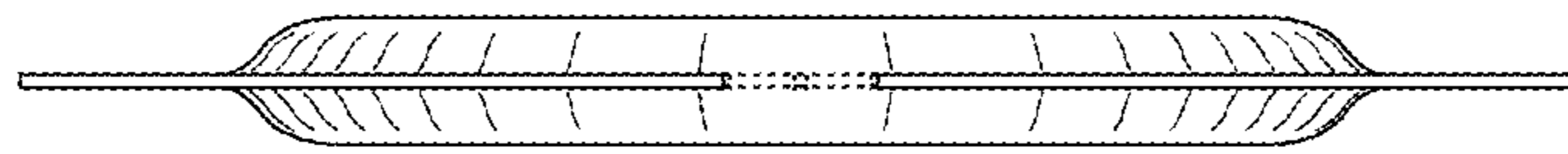


FIG. 6

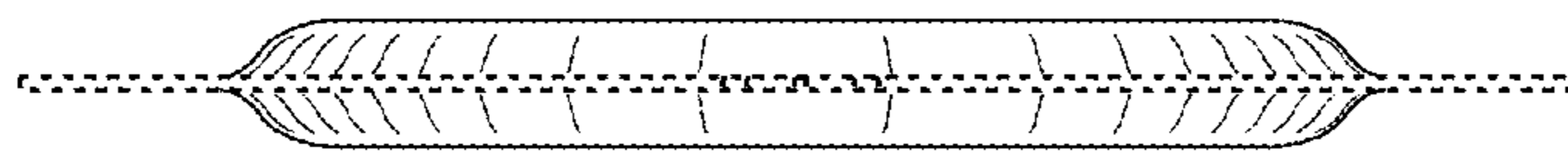


FIG. 7

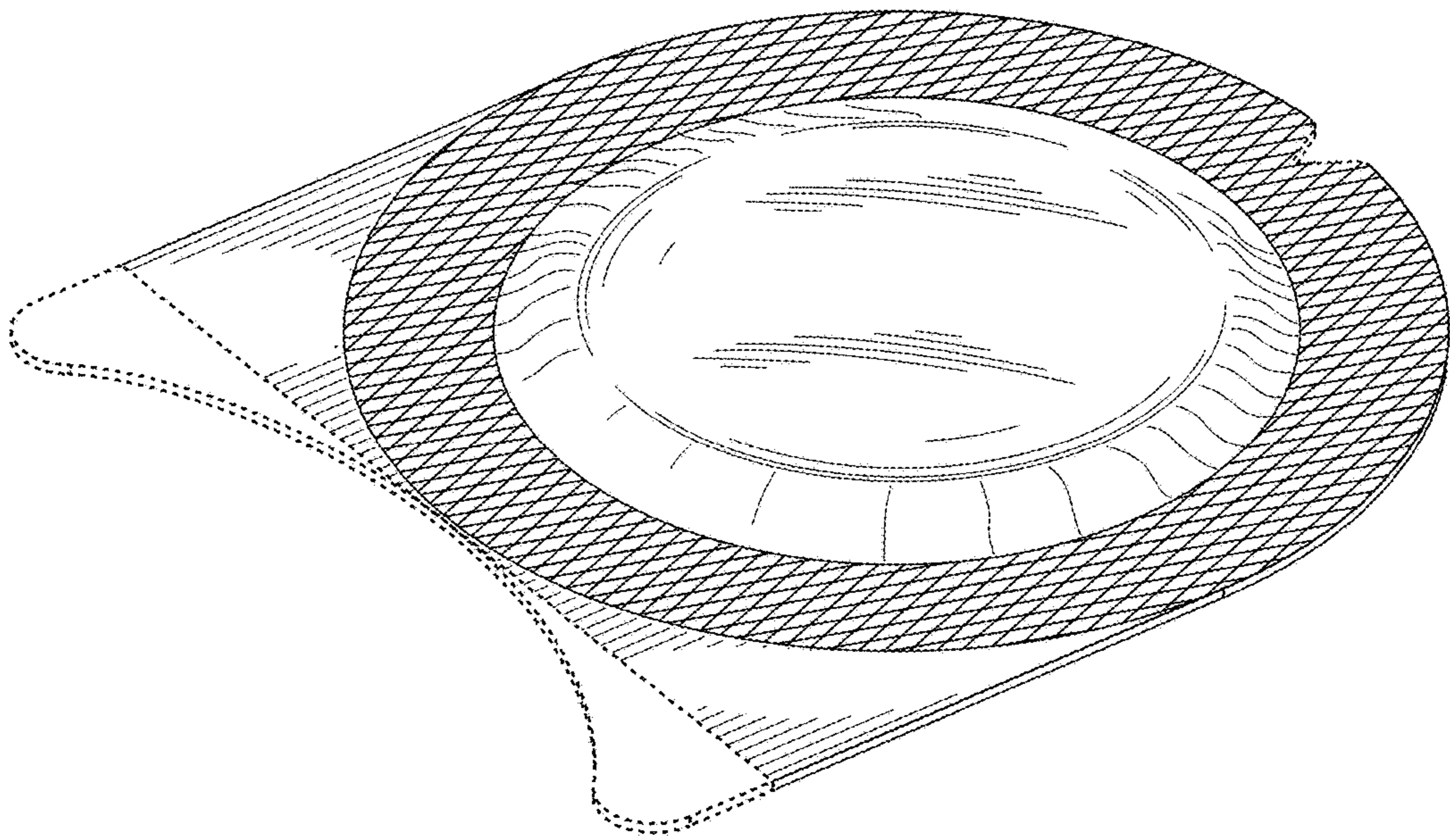


FIG. 8

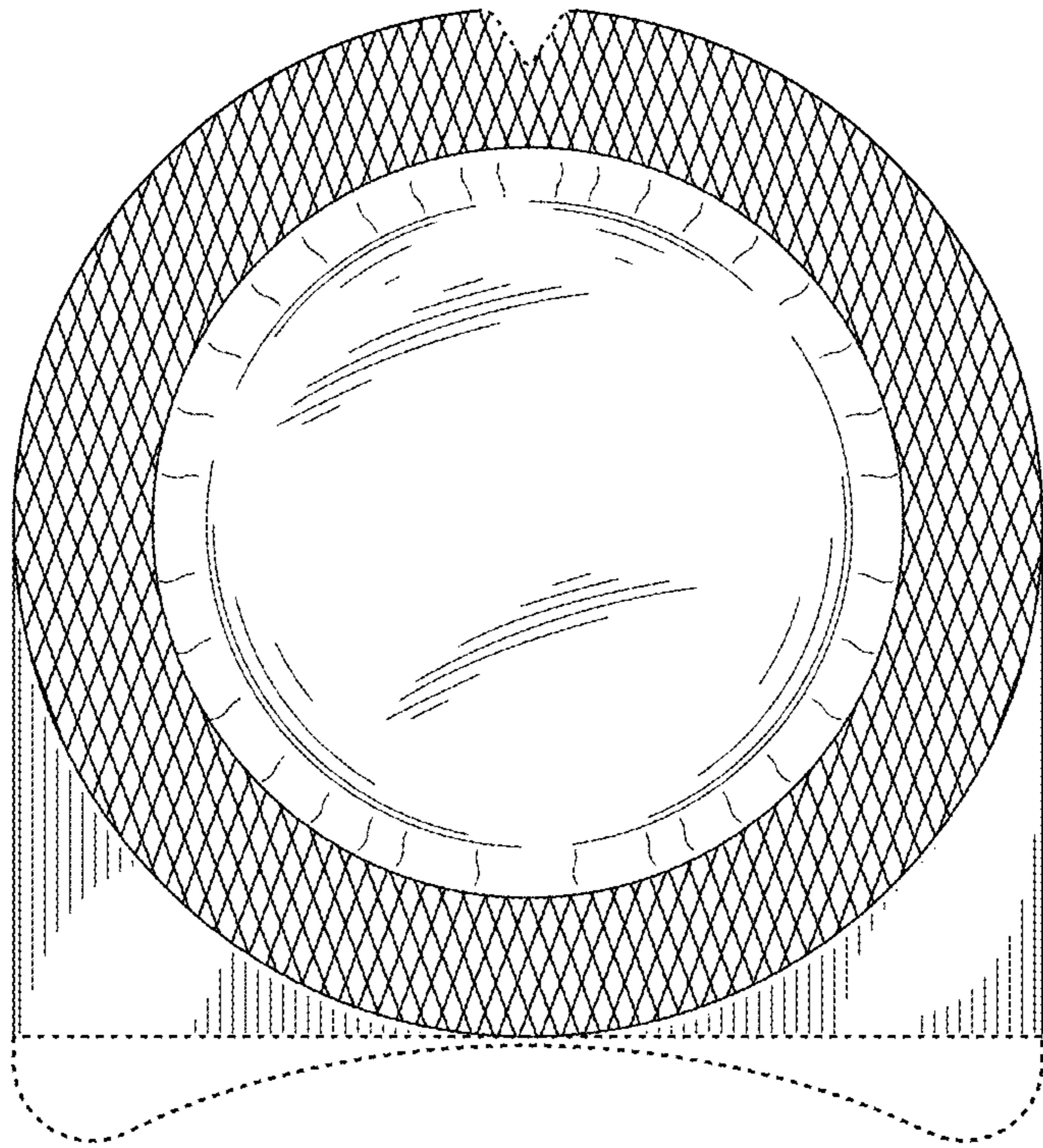


FIG. 9

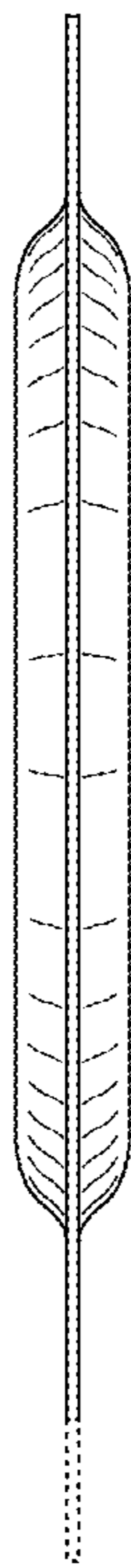


FIG. 10

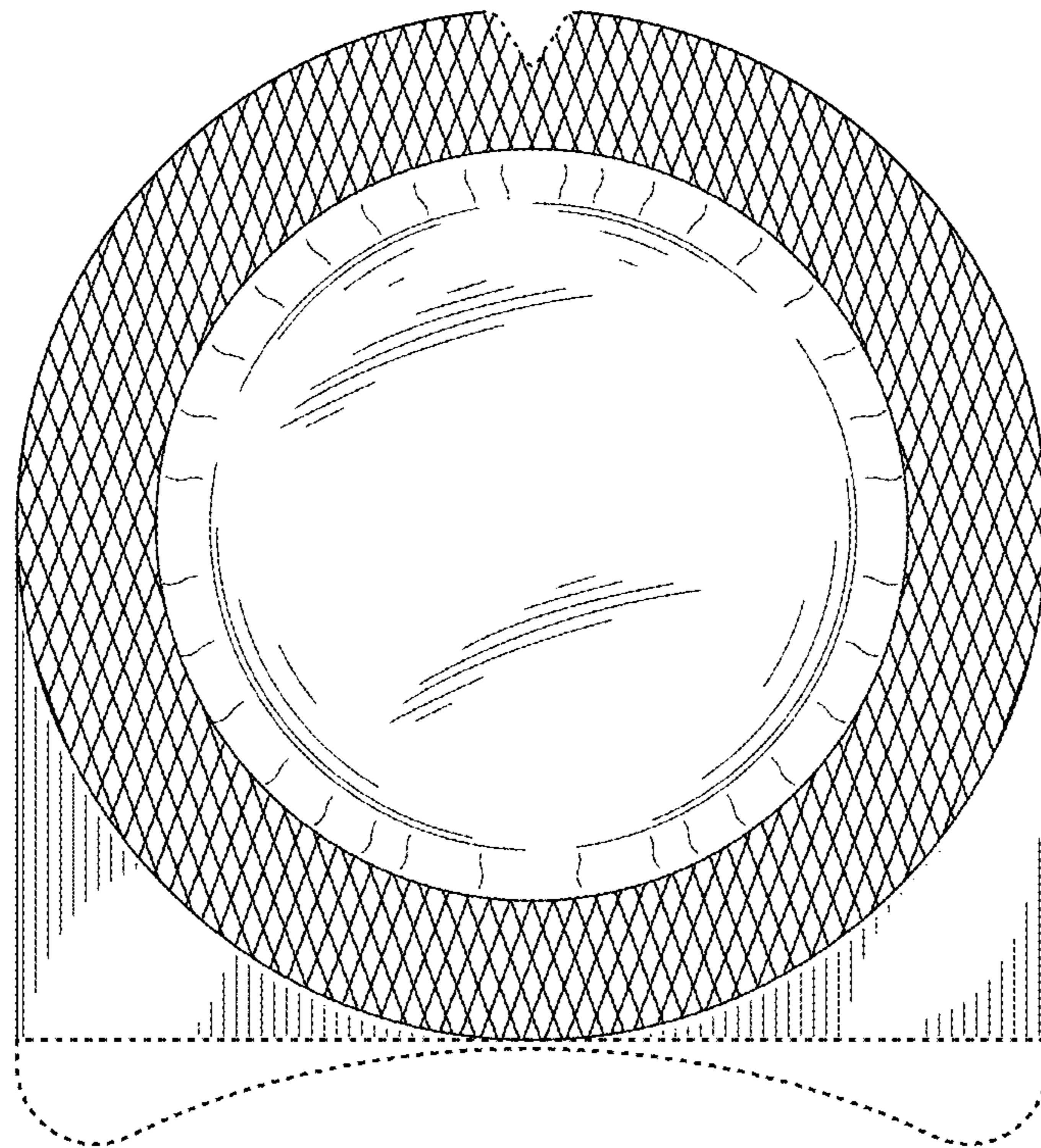


FIG. 11



FIG. 12

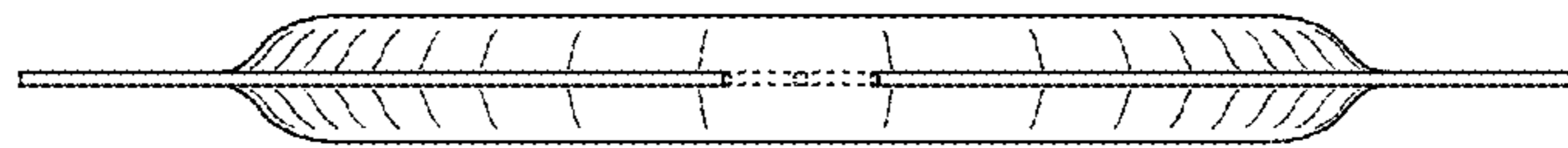


FIG. 13

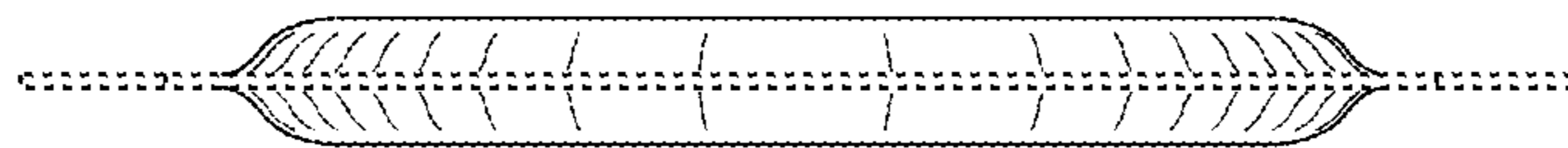


FIG. 14

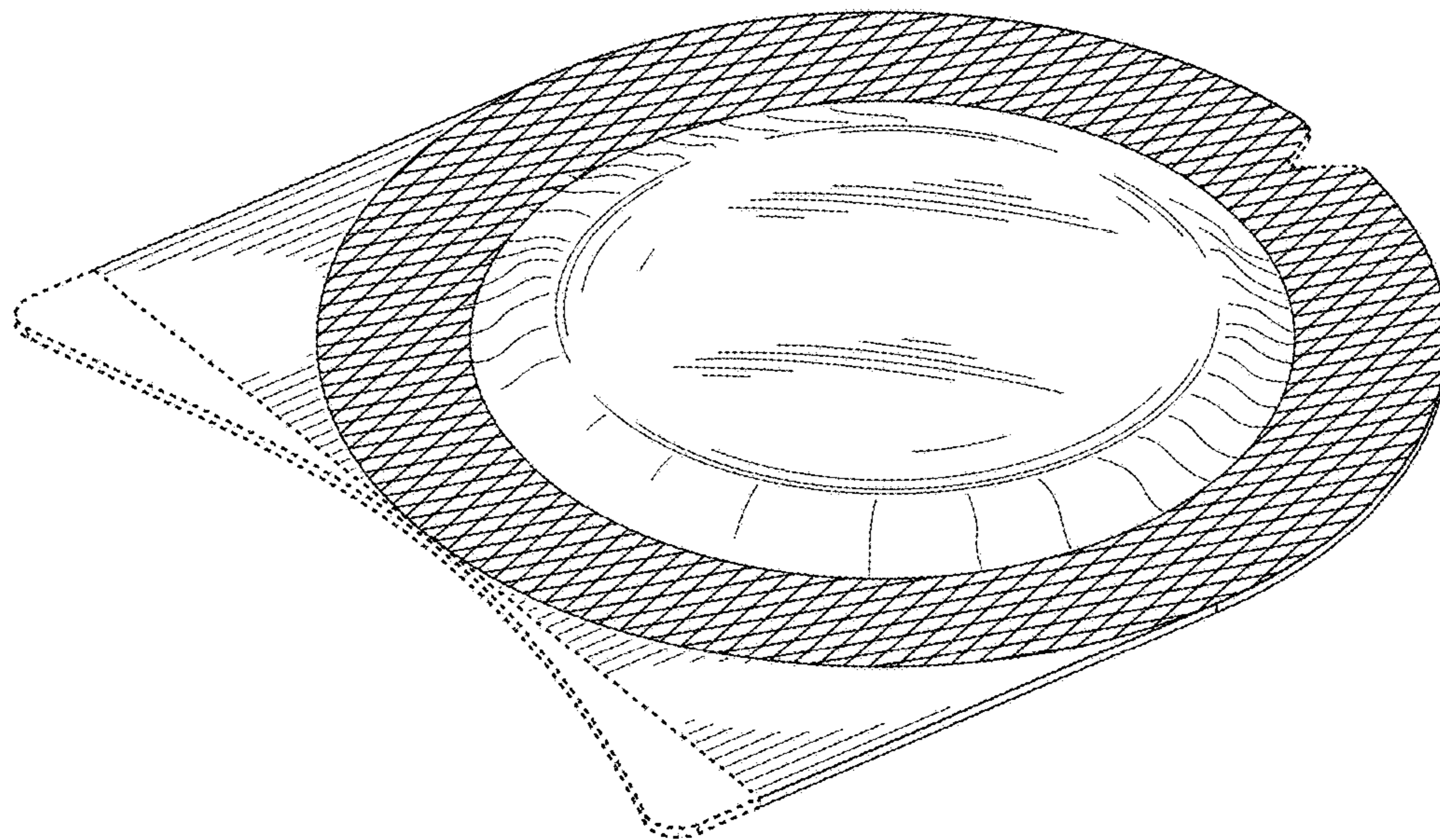


FIG. 15

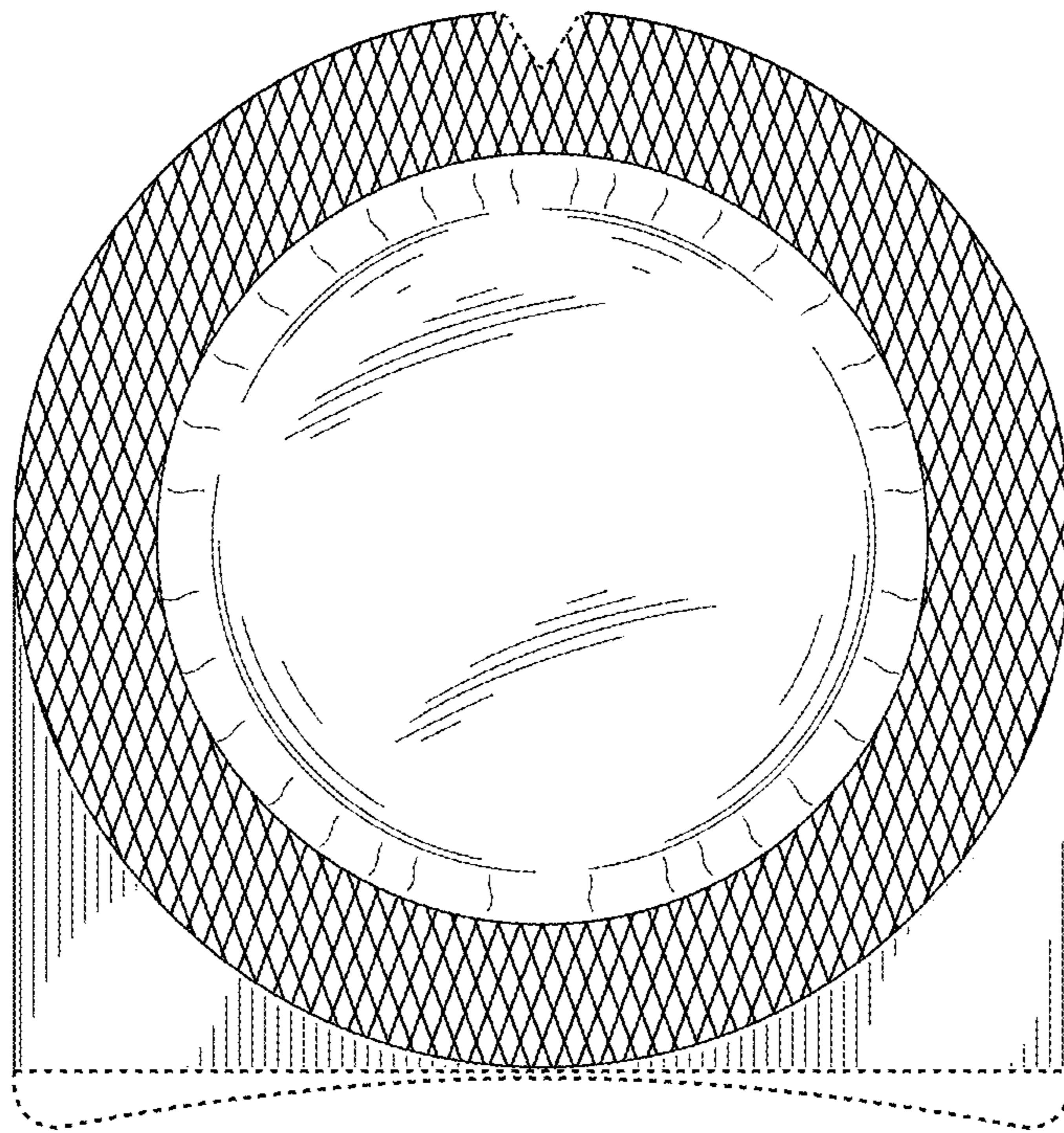


FIG. 16

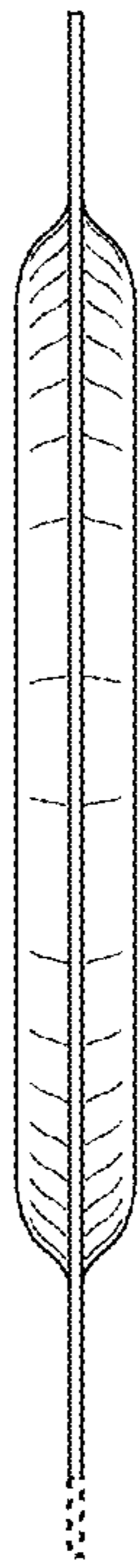


FIG. 17

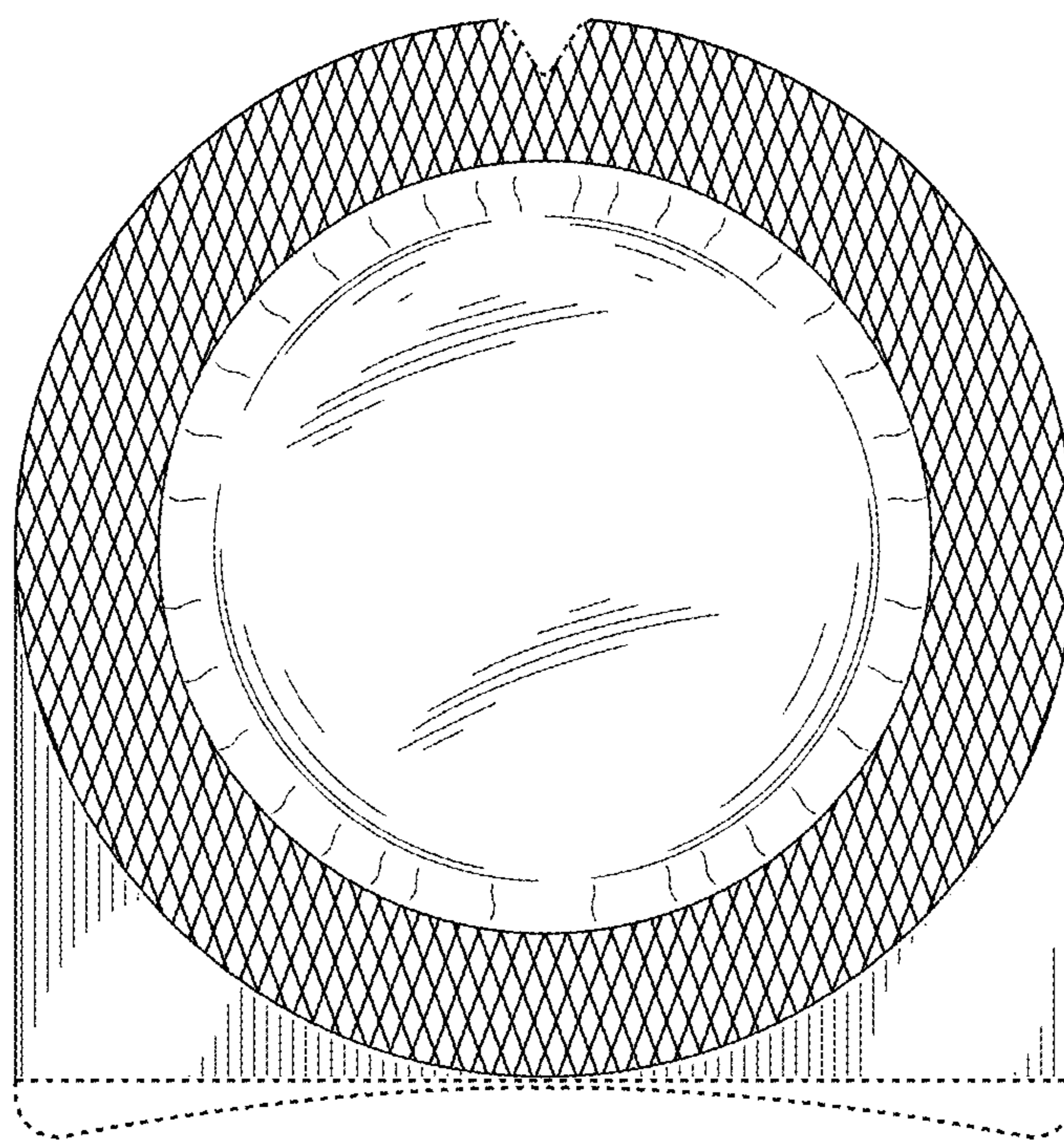


FIG. 18

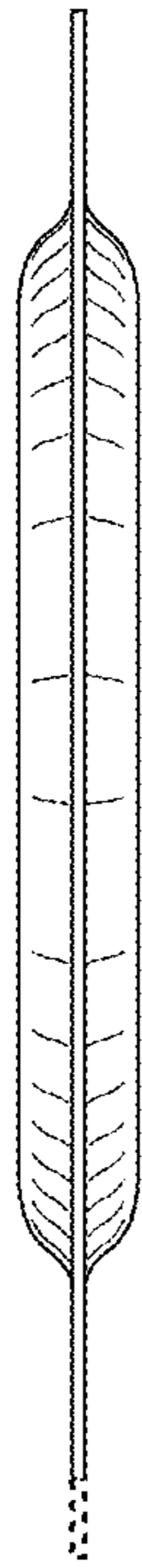


FIG. 19

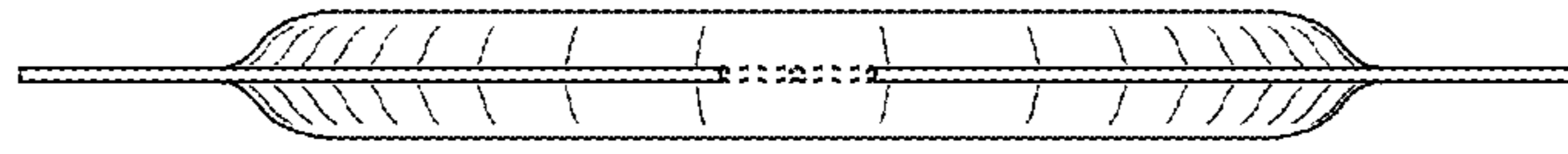


FIG. 20

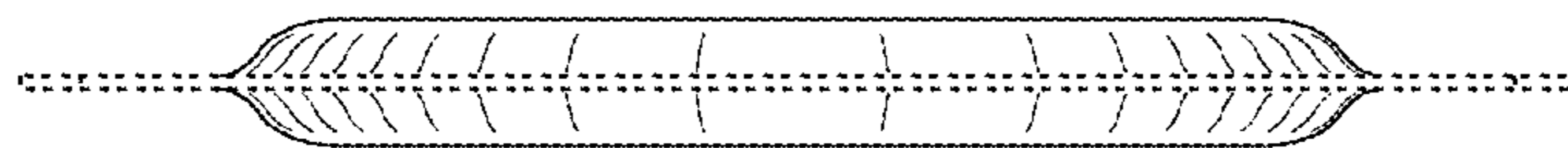


FIG. 21