



US00D782324S

(12) **United States Design Patent** (10) **Patent No.:** **US D782,324 S**
Ross (45) **Date of Patent:** **** *Mar. 28, 2017**

(54) **RECLOSABLE SHOPPING BAG**

5/06; A45C 1/00; A45C 1/02; A45C 3/06;
A45C 3/00; A45C 3/10

(71) Applicant: **Poly-America, L.P.**, Grand Prairie, TX (US)

See application file for complete search history.

(72) Inventor: **Michael A. Ross**, West Lake, TX (US)

(56) **References Cited**

(73) Assignee: **Poly-America, L.P.**, Grand Prairie, TX (US)

U.S. PATENT DOCUMENTS

(*) Notice: This patent is subject to a terminal disclaimer.

3,361,333 A	1/1968	Stuart	
3,402,749 A	9/1968	Kinzler	
4,125,220 A	11/1978	Suominen	
4,932,556 A	6/1990	Hui et al.	
5,135,464 A	8/1992	Buchanan	
5,350,240 A	9/1994	Billman	
5,547,284 A	8/1996	Imer	
D374,348 S *	10/1996	Sarver	D3/232
5,772,332 A	6/1998	Geller	
5,788,378 A	8/1998	Thomas	
D404,203 S *	1/1999	Maier-Aichen	D3/245
5,882,120 A	3/1999	Bell	

(**) Term: **15 Years**

(21) Appl. No.: **29/547,929**

(22) Filed: **Dec. 9, 2015**

(Continued)

Related U.S. Application Data

Primary Examiner — Abraham Bahta

(63) Continuation-in-part of application No. 14/956,628, filed on Dec. 2, 2015.

(74) *Attorney, Agent, or Firm* — Daniel J. Layden; Brandon J. Lee

(51) **LOC (10) Cl.** **09-05**

(57) **CLAIM**

(52) **U.S. Cl.**

The ornamental design for a “reclosable shopping bag,” as shown and described.

USPC **D9/705**

DESCRIPTION

(58) **Field of Classification Search**

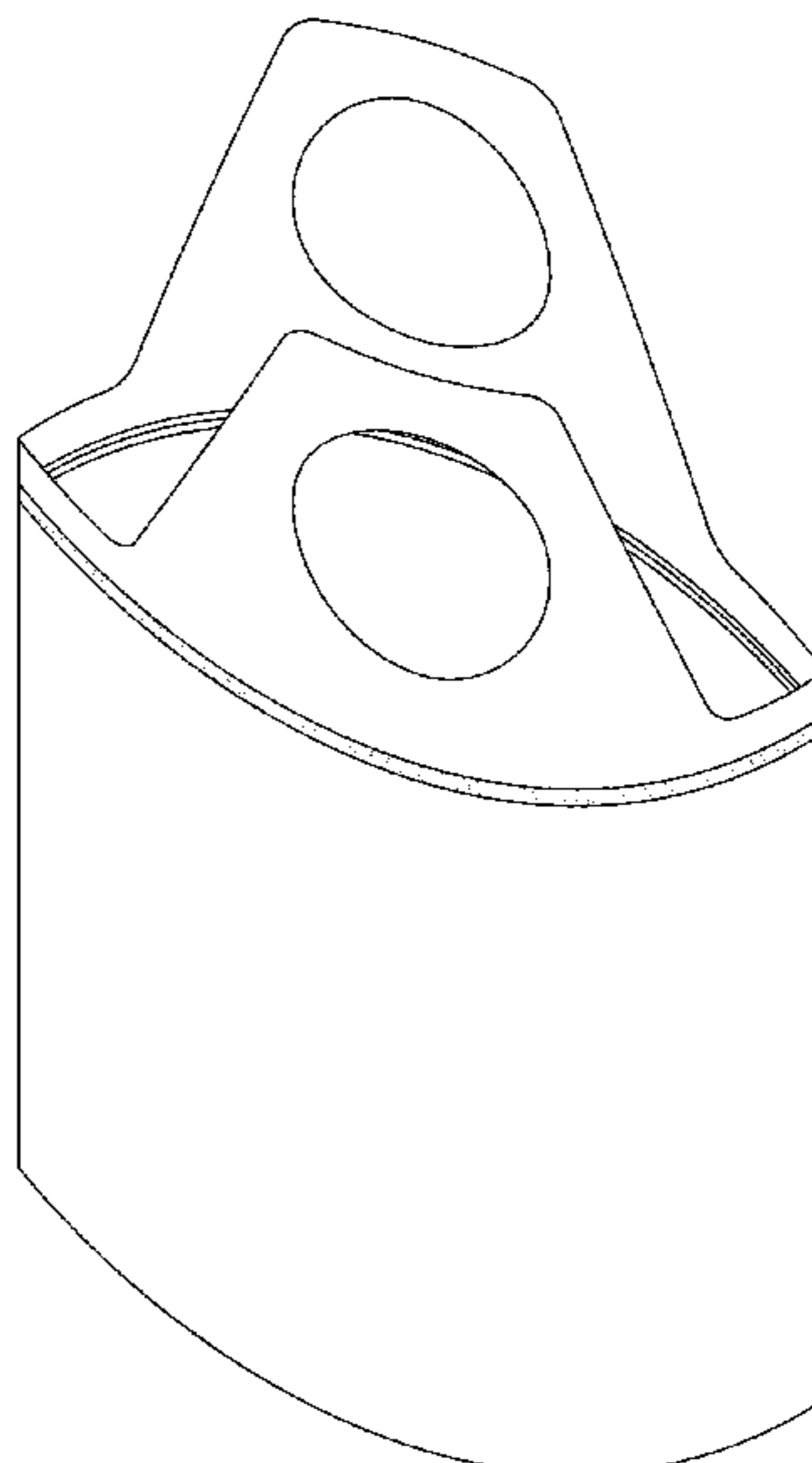
USPC D9/702–714, 430–434, 423, 499; D3/303, 202, 205, 221, 226, 246, 240, D3/274, 201, 276; 383/6, 105–120, 127, 383/10; 220/915.1, 915.2, 592.01, 773, 220/755; D7/601, 605–607, 709–710, D7/393, 394, 395, 602, 622, 624.2; 206/139, 428, 488, 427, 433, 434, 432; 229/117.19, 116.5, 923, 87.03, 87.18, 229/87.19, 117.09; 150/100, 107; 493/226; 215/399, 396

CPC ... B65D 1/00; B65D 1/22; B65D 1/44; B65D 33/00; B65D 33/12; B65D 33/16; B65D 31/00; B65D 31/10; B65D 5/00; B65D

FIG. 1 is a front perspective view of a reclosable shopping bag embodying my new design; FIG. 2 is a front plan view thereof; FIG. 3 is a rear plan view thereof; FIG. 4 is a left side view thereof; FIG. 5 is a right side view thereof; FIG. 6 is a top plan view thereof; and, FIG. 7 is a bottom plan view thereof.

The broken lines in the drawings are for illustrative purposes only and do not form a part of the claimed design. The stippling in the drawings disclose a contrasting surface.

1 Claim, 5 Drawing Sheets



(56)

References Cited

U.S. PATENT DOCUMENTS

D418,680	S	*	1/2000	du Sartel	D3/232
D451,794	S		12/2001	Ichikawa		
6,325,543	B1		12/2001	Ausnit		
6,332,712	B1		12/2001	Headley		
D458,121	S		6/2002	Ichikawa		
D521,728	S	*	5/2006	Legay	D3/246
D535,098	S	*	1/2007	Maier	D3/246
D604,042	S	*	11/2009	Lown	D3/229
D644,021	S	*	8/2011	Foster-Plummer	D3/226
D706,030	S	*	6/2014	Wang	D3/245
D755,510	S	*	5/2016	Haast	D3/232
D762,378	S	*	8/2016	Domotor	D3/233
D768,983	S	*	10/2016	Orilland	D3/232
D771,940	S	*	11/2016	Wei	D3/232
2002/0033396	A1		3/2002	Hupp et al.		
2004/0109617	A1		6/2004	Winiacki		
2004/0131284	A1		7/2004	Stolmeier		
2005/0041894	A1		2/2005	Hanson		
2005/0053315	A1		3/2005	Aasen		
2005/0238765	A1		10/2005	Weaver et al.		
2012/0292224	A1		11/2012	Matsushima et al.		
2013/0139473	A1		6/2013	Beer		

* cited by examiner

Fig 1

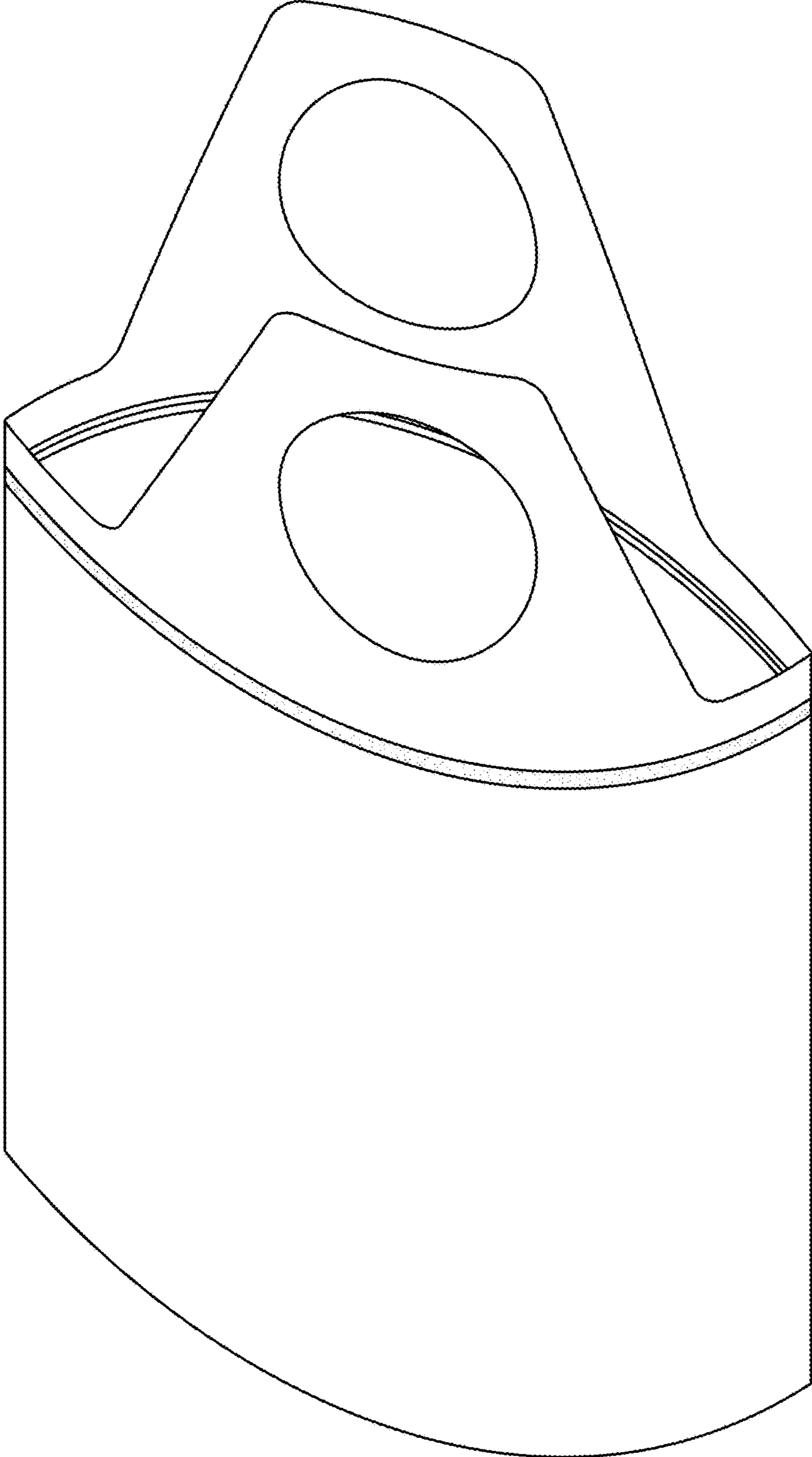


Fig 2

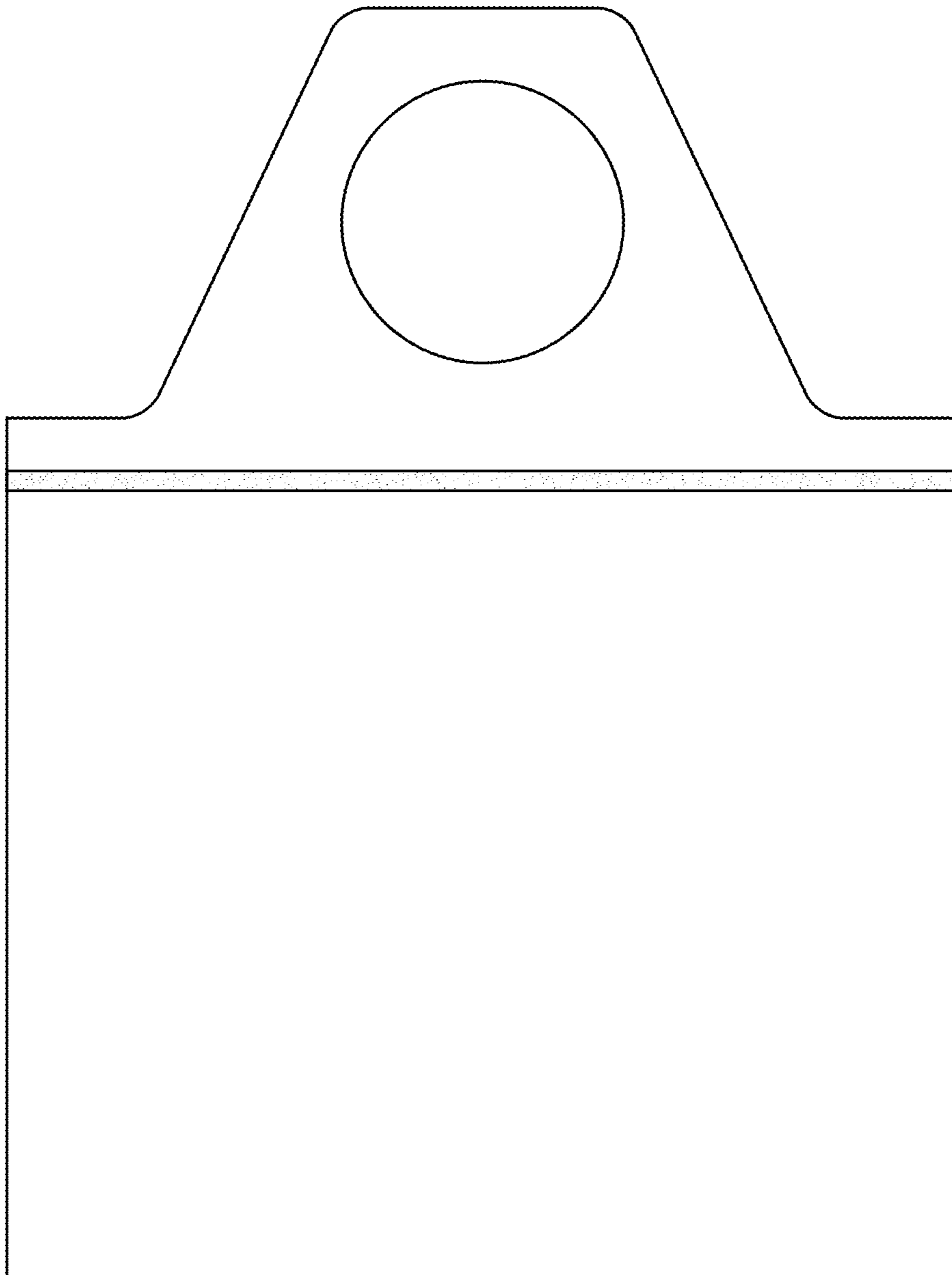


Fig 3

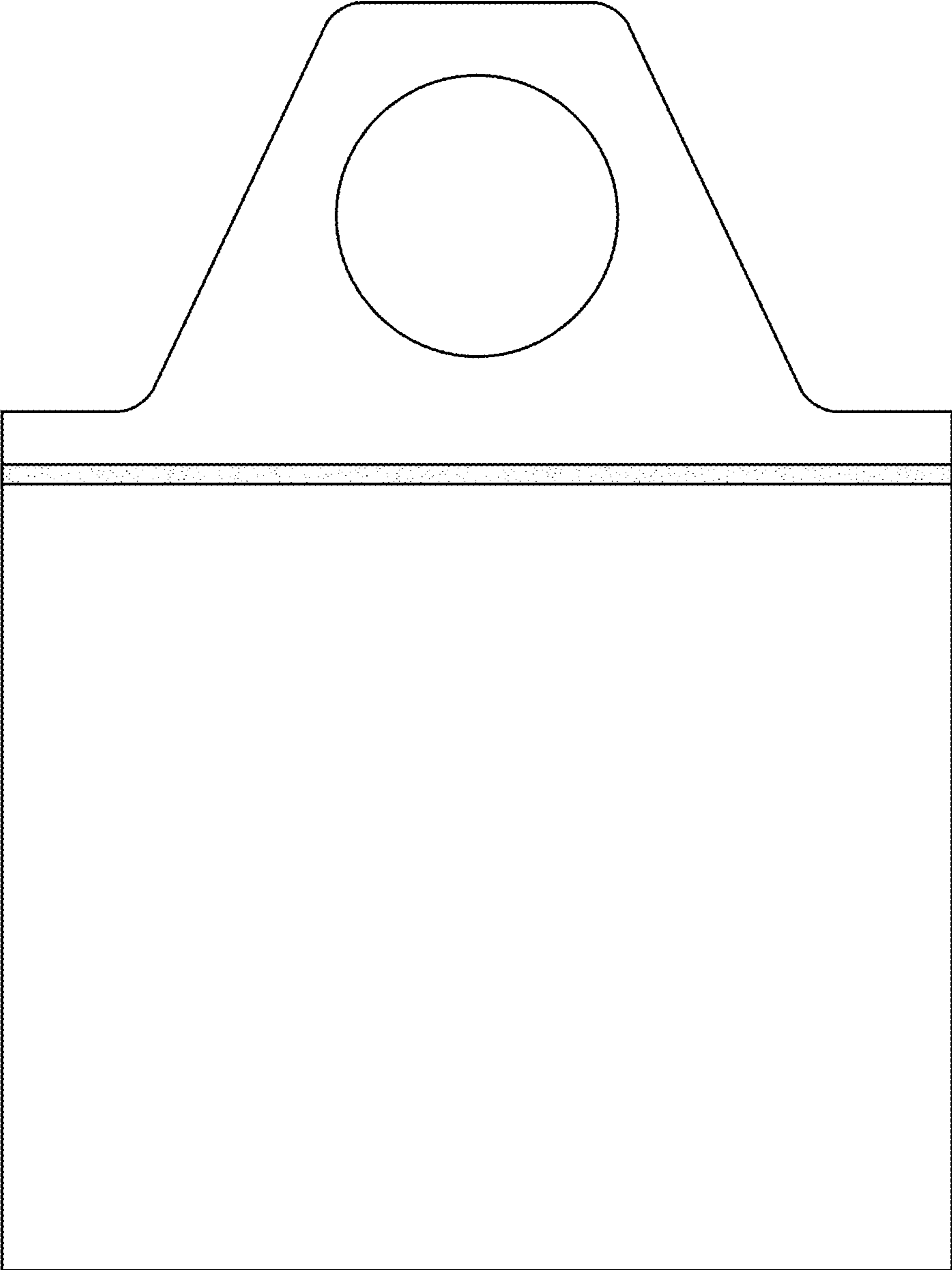


Fig 4

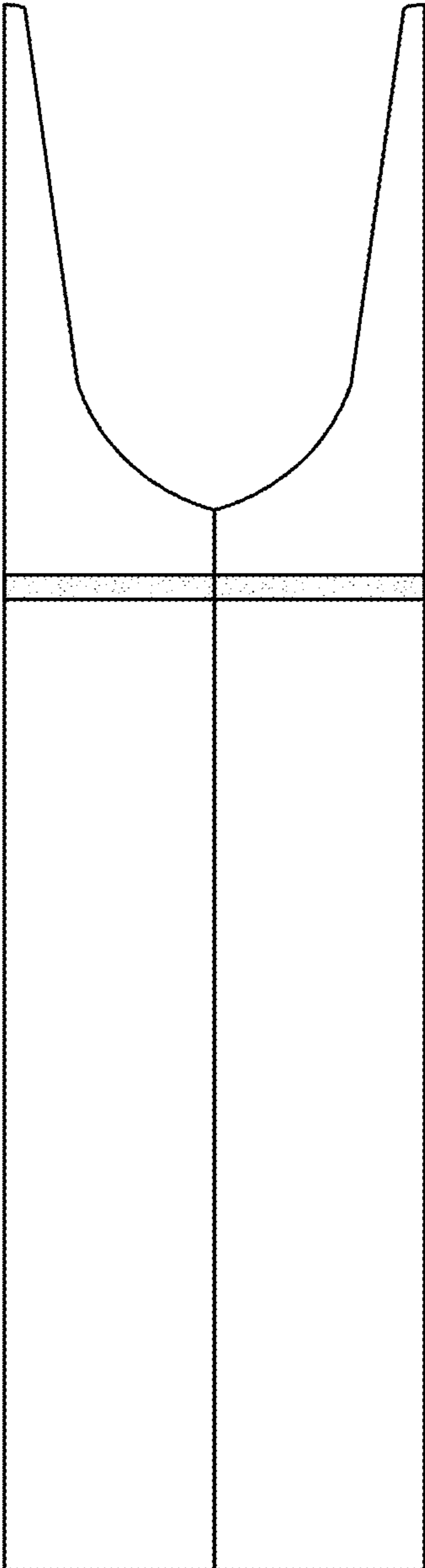


Fig 5

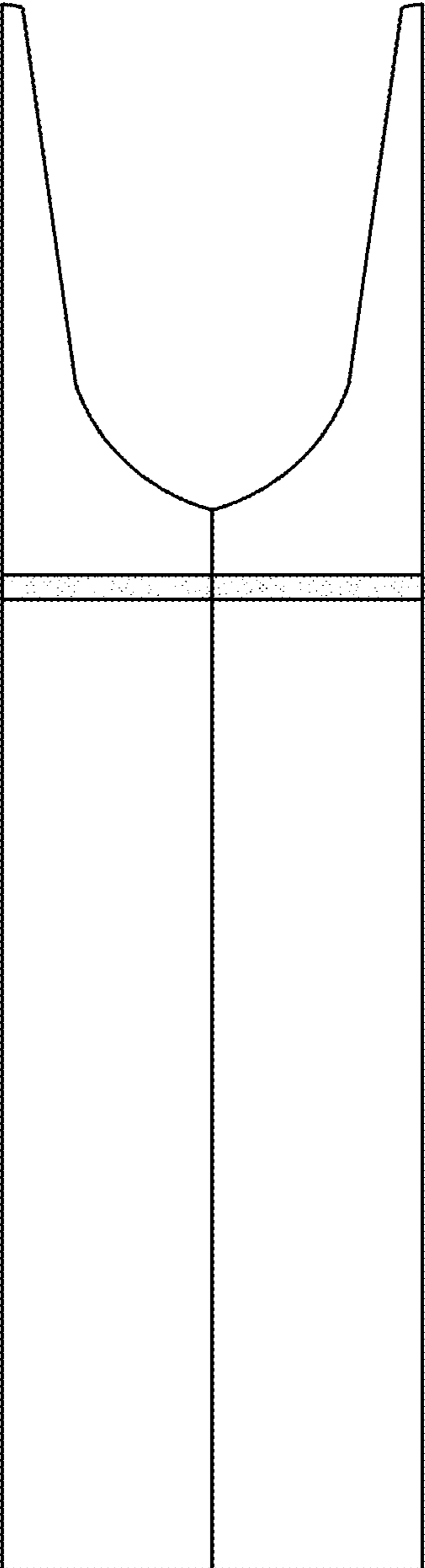


Fig 6

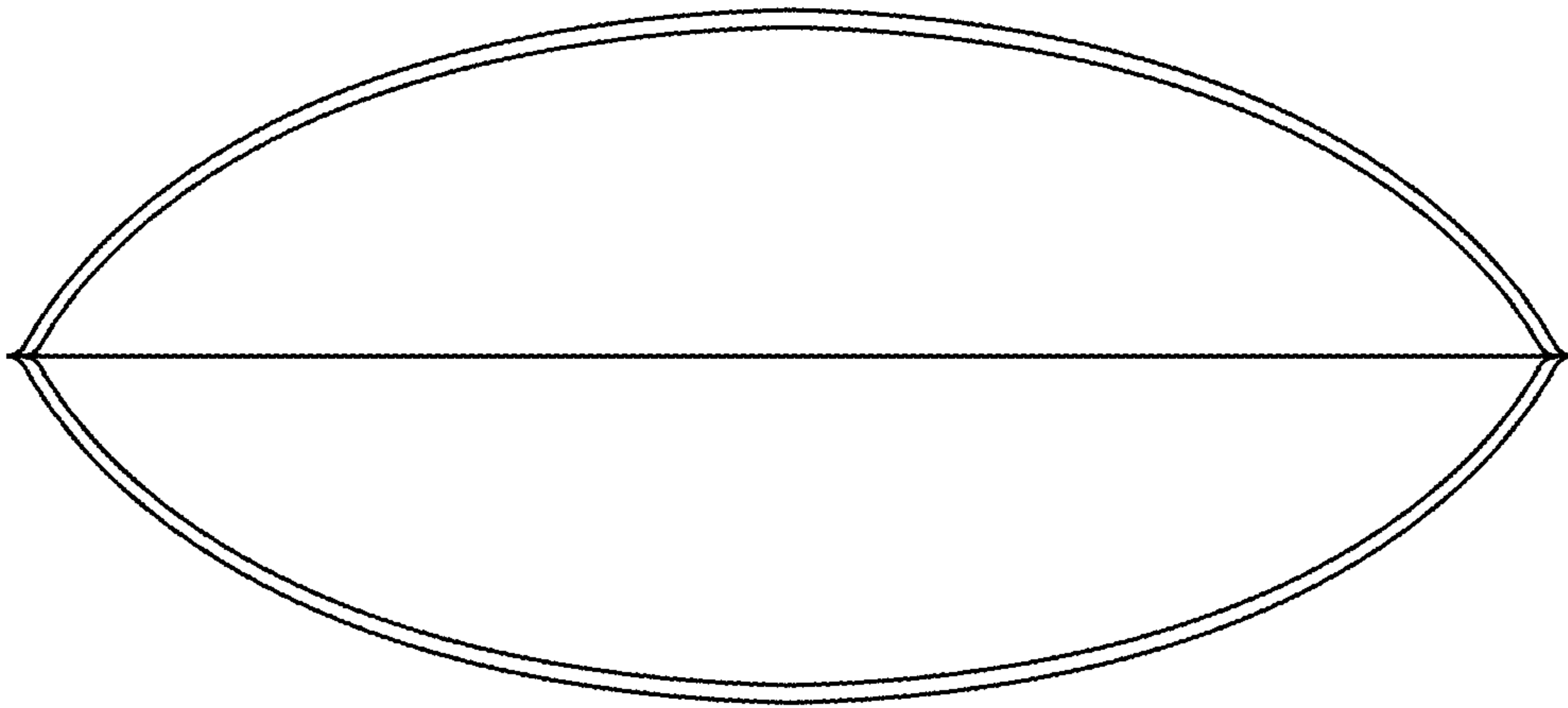


Fig 7

