



US00D782320S

(12) **United States Design Patent**  
**Juna**

(10) **Patent No.:** **US D782,320 S**  
(45) **Date of Patent:** **\*\* Mar. 28, 2017**

(54) **BOTTLE**

- (71) Applicant: **TricorBraun Inc.**, St. Louis, MO (US)
- (72) Inventor: **Samantha Juna**, Carol Stream, IL (US)
- (73) Assignee: **TricorBraun Inc.**, St. Louis, MO (US)
- (\*\*) Term: **15 Years**

(21) Appl. No.: **29/532,225**

(22) Filed: **Jul. 2, 2015**

(51) **LOC (10) Cl.** ..... **09-01**

(52) **U.S. Cl.**

USPC ..... **D9/571**

(58) **Field of Classification Search**

USPC ..... D9/435, 436, 440, 445, 447, 449, 450, D9/453, 452, 442, 500–505, 520–522, D9/529, 571, 550, 556, 546, 562–572, D9/512, 530, 532–543, 548, 516, 574, D9/575, 526, 558–561, 519, 726–729, D9/738, 740, 746, 764, 752, 759, 767, D9/772–783, 904; D3/202, 203.1–203.4, D3/203.7; D28/82, 4–8; D19/66, D19/115–179; D7/396.2, 509–511, 523, D7/590; D6/515, 542; D14/114, 485; D24/119, 197; D34/1, 2

CPC ..... B65D 88/54; B65D 83/00; B65D 83/04; B65D 11/04; B65D 11/00; B65D 90/02; B65D 90/12; B65D 23/102; B65D 21/024; B65D 1/42; B65D 1/46; B65D 1/02; B65D 1/0207; B65D 1/023; B65D 1/04; B65D 1/10; B65D 1/12; B65D 1/14; B65D 1/16; B65D 1/165; B65D 1/18; B65D 1/0246; B65D 1/0238; B65D 1/0223; B65D 1/0215; B65D 13/02; B65D 23/00; B65D 35/00; B65D 35/02; B65D 35/04; B65D 35/56; B65D 35/08; B65D 39/00; B65D 39/0005; B65D 39/0029; B65D 41/0428; B65D 41/04; B65D 41/0435; B65D 41/0442; B65B 7/28; A61J 9/00; A45F 5/00; B29C 33/005

See application file for complete search history.

(56) **References Cited**

U.S. PATENT DOCUMENTS

- 2,770,382 A \* 11/1956 Ritter ..... B65D 41/04 215/329
- D182,461 S \* 4/1958 Funkey ..... D9/538
- D188,134 S \* 6/1960 Neubauer ..... D9/502
- D322,753 S \* 12/1991 Sussman ..... D11/152

(Continued)

OTHER PUBLICATIONS

“5oz Clear Plastic Dietary Supplement Bottle, Unique Plastic Capsule Vitamin Bottles, Pet Medicine Packaging Manufacturer China” Apr. 16, 2012, alibaba.com, site visited Nov. 10, 2016 <[https://www.alibaba.com/product-detail/5oz-clear-plastic-dietary-supplement-bottle\\_60294600939.html](https://www.alibaba.com/product-detail/5oz-clear-plastic-dietary-supplement-bottle_60294600939.html)>.\*

*Primary Examiner* — Kevin Rudzinski

*Assistant Examiner* — Paul Bohannon

(74) *Attorney, Agent, or Firm* — Husch Blackwell LLP

(57) **CLAIM**

I claim the ornamental design for a bottle, as shown and described.

**DESCRIPTION**

FIG. 1 is a top perspective view of a bottle showing the new design;

FIG. 2 is a bottom perspective view thereof;

FIG. 3 is a front elevation view thereof;

FIG. 4 is a rear elevation view thereof;

FIG. 5 is a right side elevation view thereof;

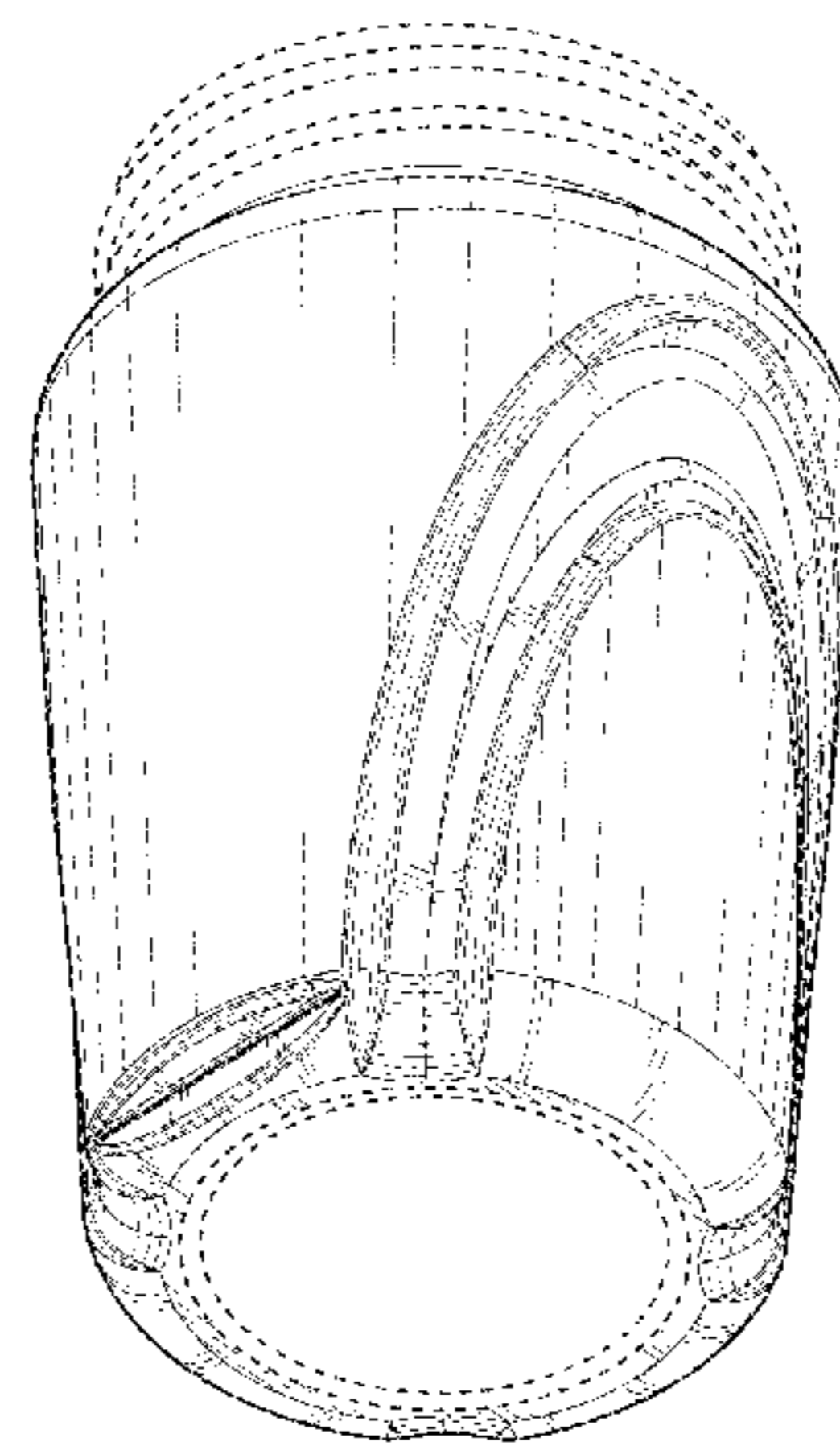
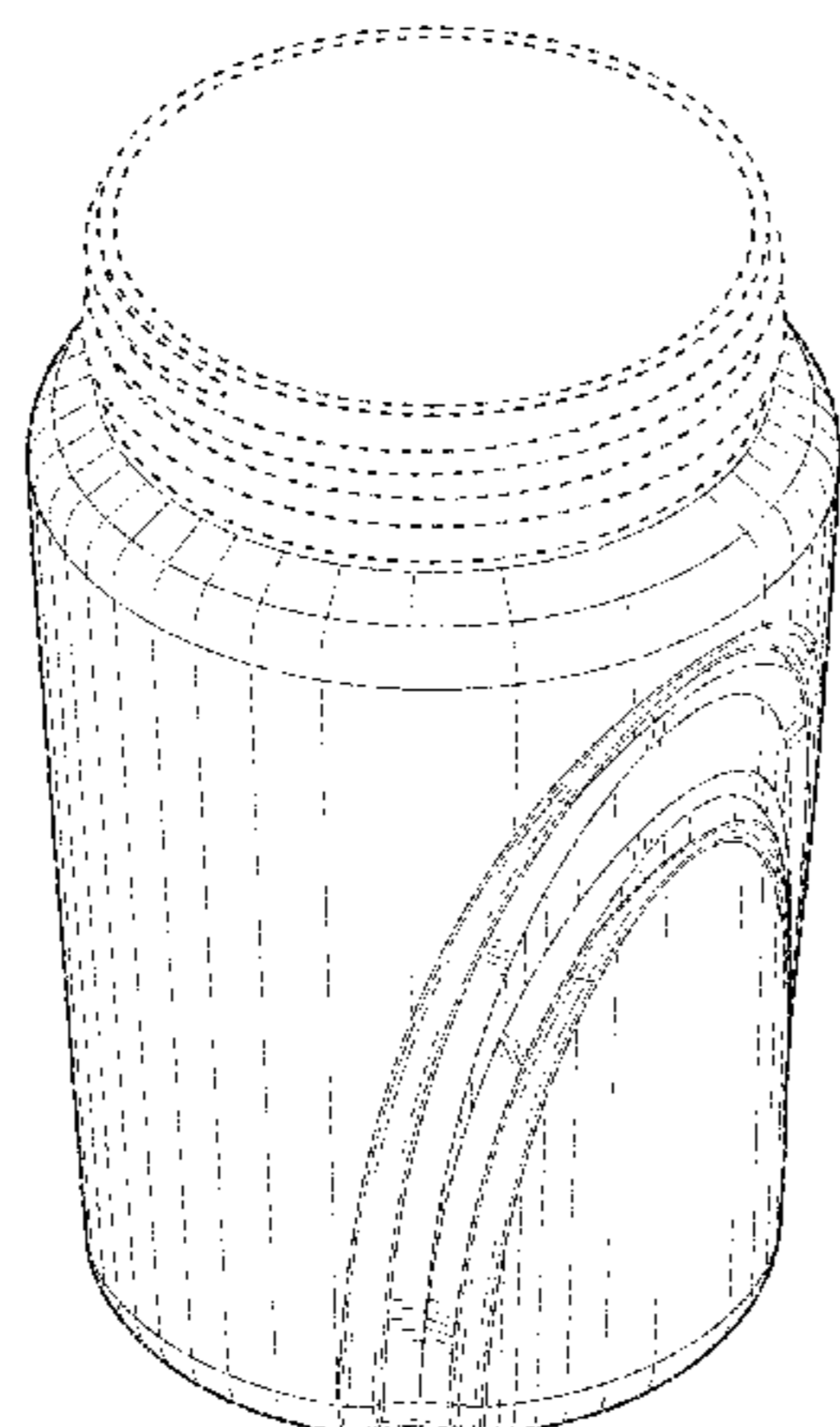
FIG. 6 is a left side elevation view thereof;

FIG. 7 is a top plan view thereof; and,

FIG. 8 is a bottom plan view thereof.

The broken lines shown in the drawing views are included for the purpose of showing portions of the article that form no part of the claimed design.

**1 Claim, 7 Drawing Sheets**



(56)

**References Cited**

U.S. PATENT DOCUMENTS

5,160,031	A *	11/1992	Palisin, Jr. ....	B21D 1/08 206/519
D535,151	S *	1/2007	Seum .....	D7/510
D592,518	S *	5/2009	Faulon .....	D9/500
D646,578	S *	10/2011	Marais .....	D9/540
D743,797	S *	11/2015	Delagrange .....	D9/522
D753,482	S *	4/2016	Serrano .....	D9/428
D759,500	S *	6/2016	Bell .....	D9/443
D766,090	S *	9/2016	Boroski .....	D7/509
2012/0152882	A1 *	6/2012	Tune .....	B65D 1/0223 215/40

\* cited by examiner

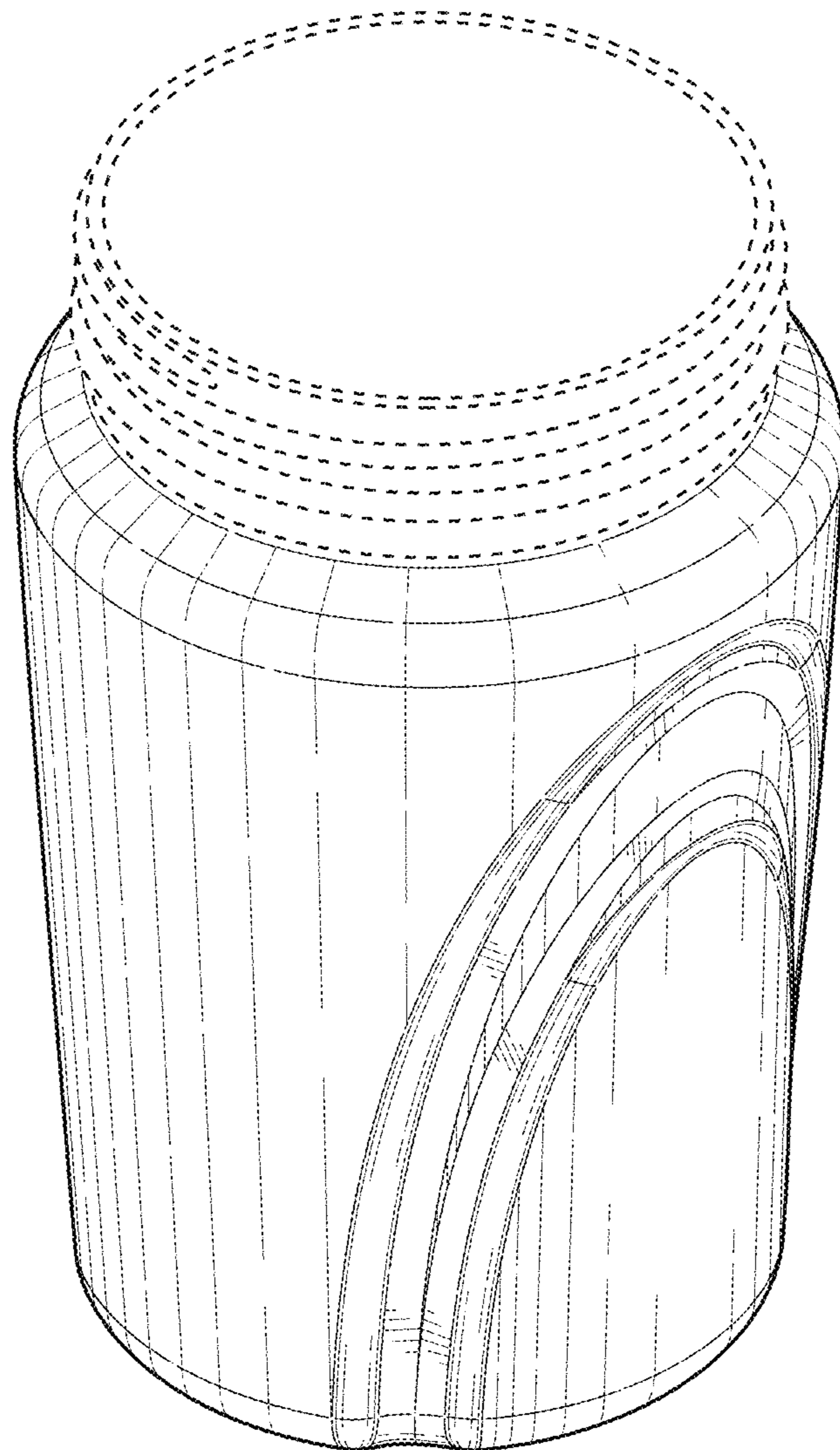


FIG. 1

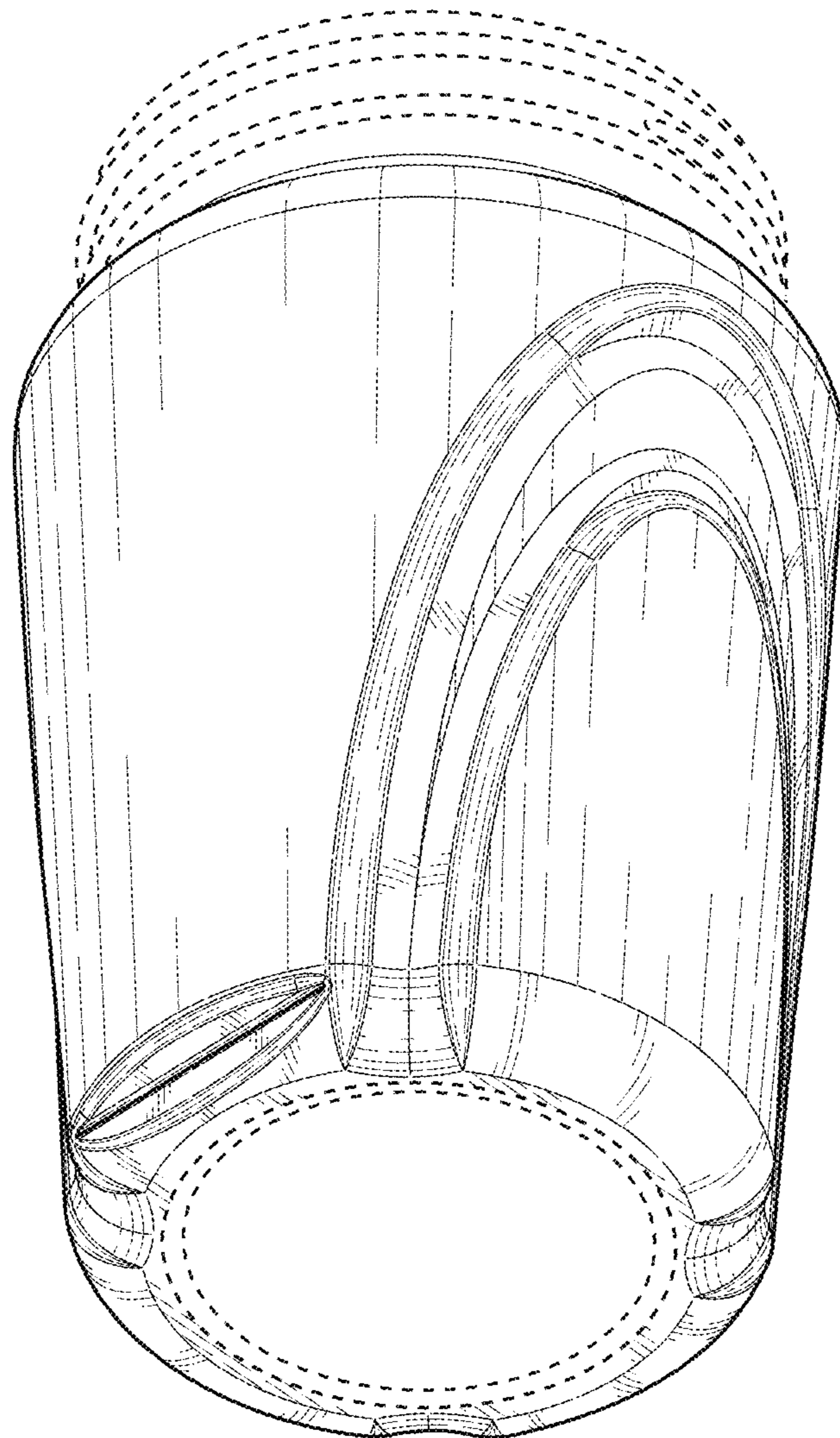


FIG. 2

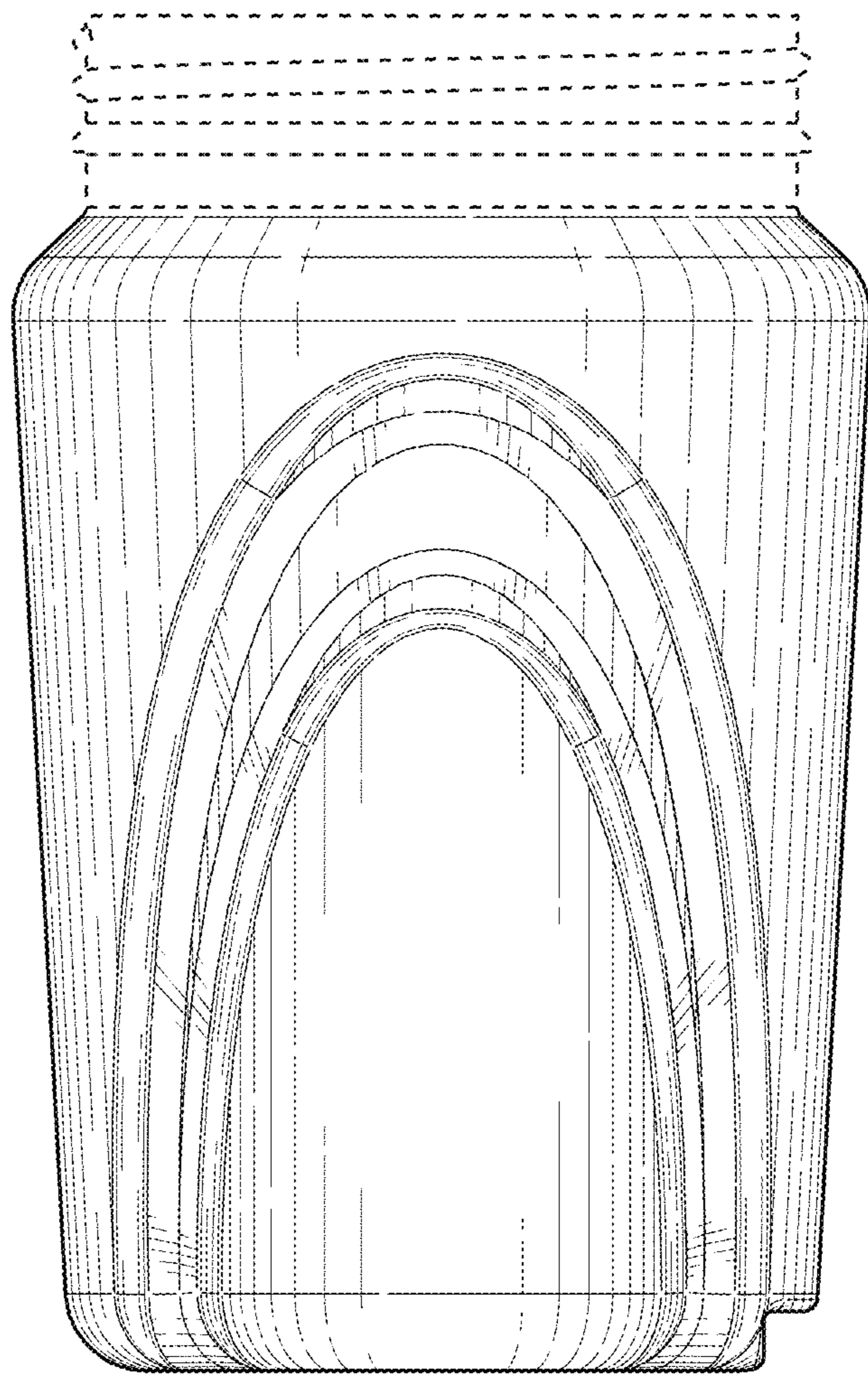


FIG. 3

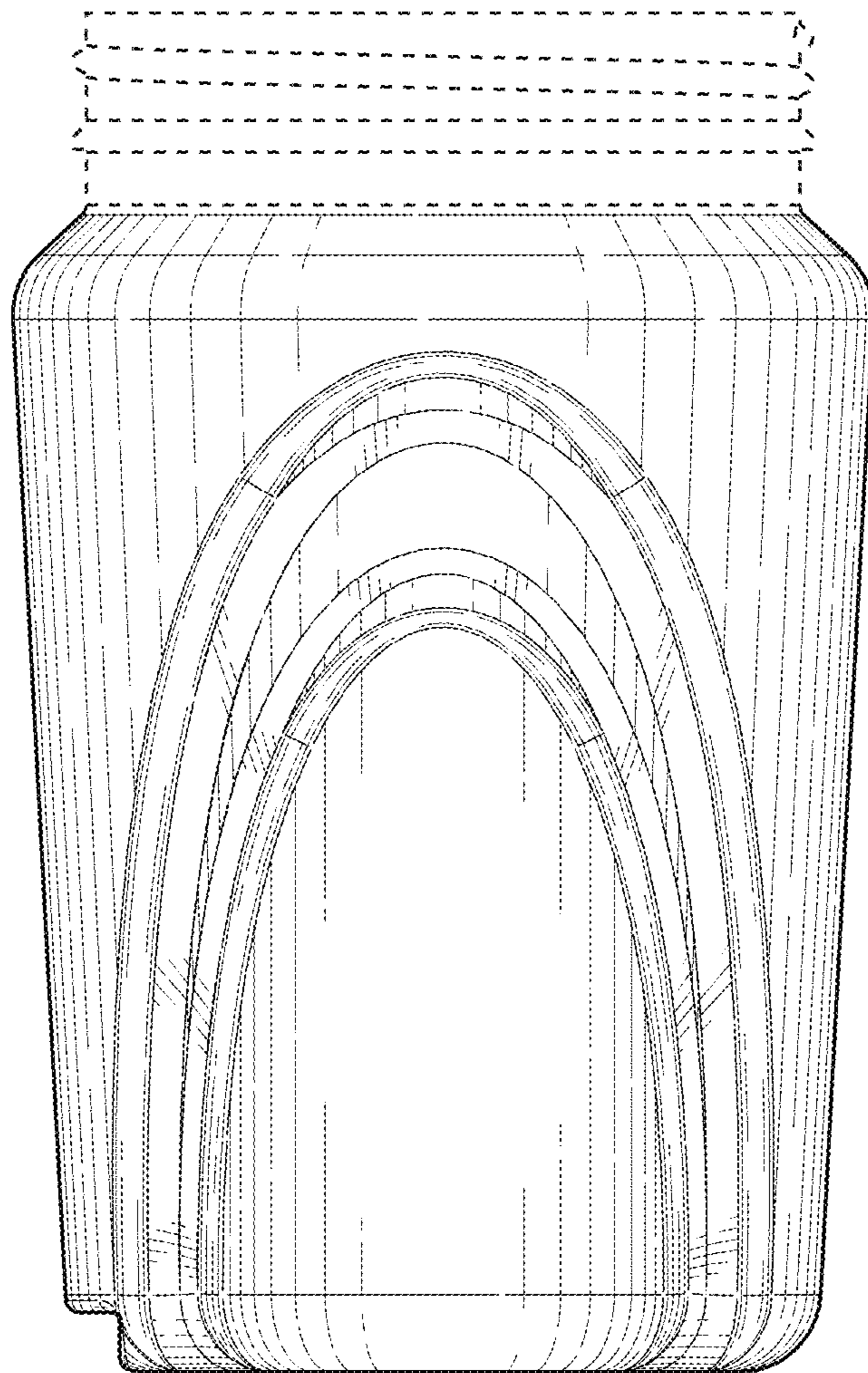


FIG. 4

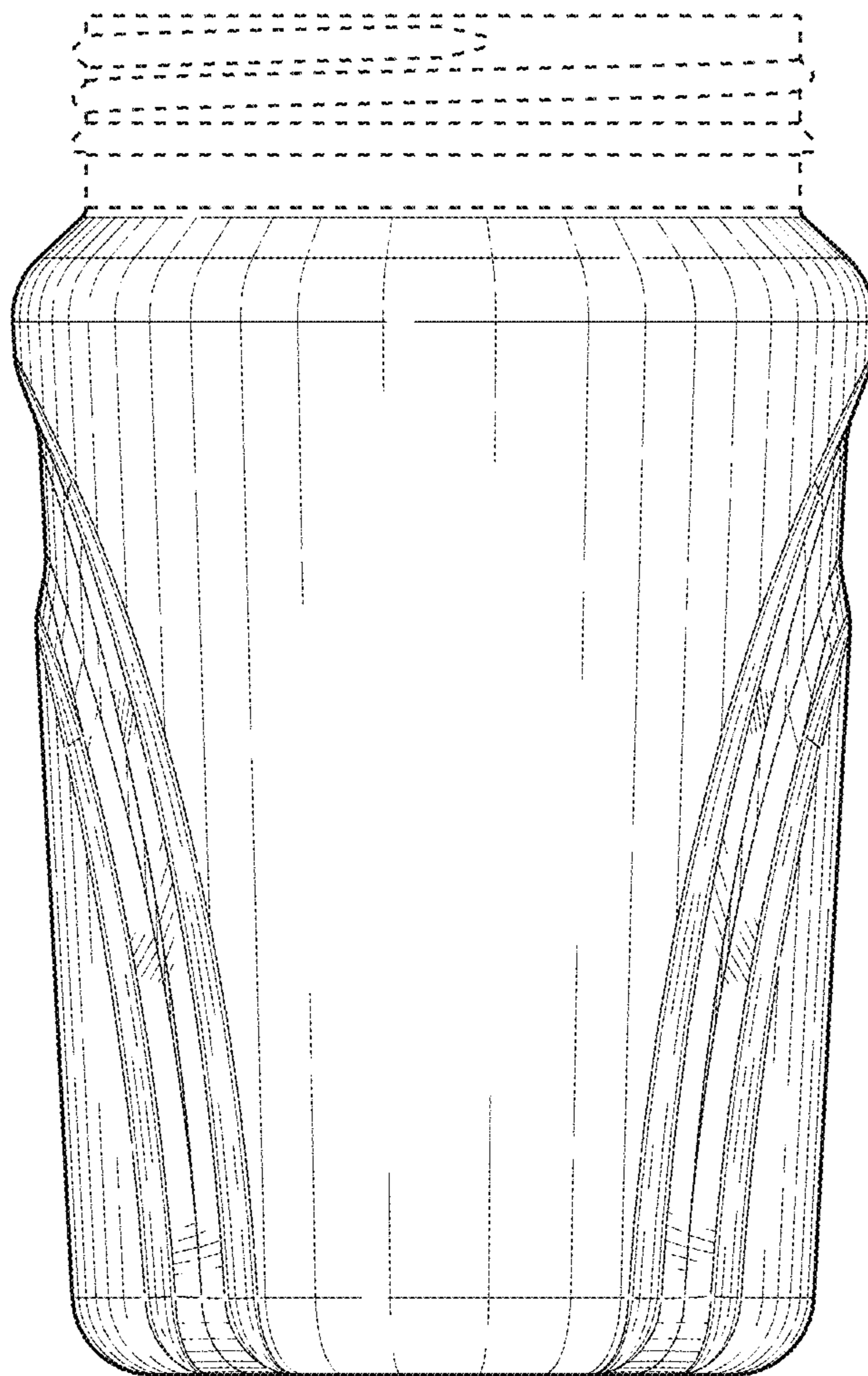


FIG. 5

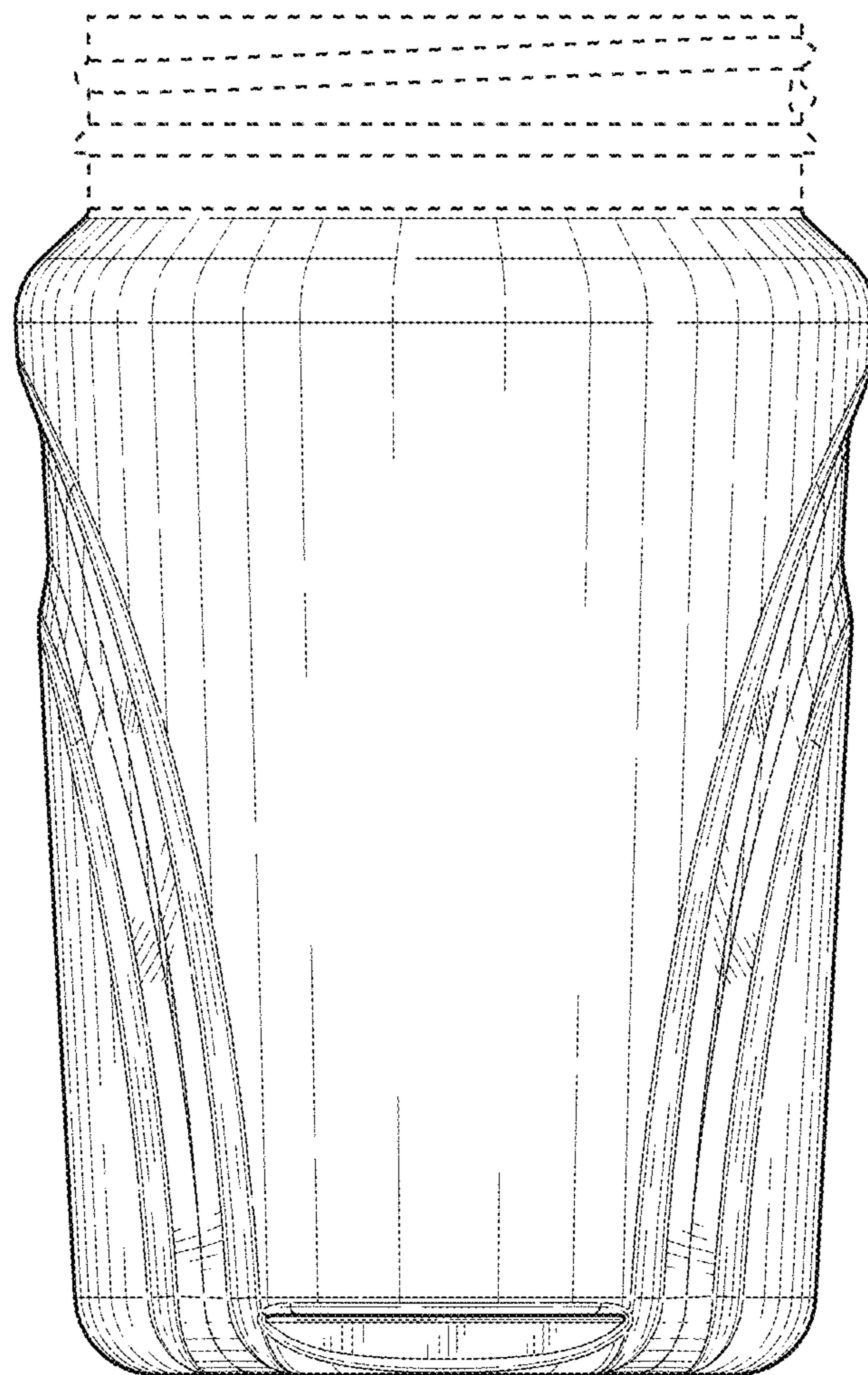


FIG. 6



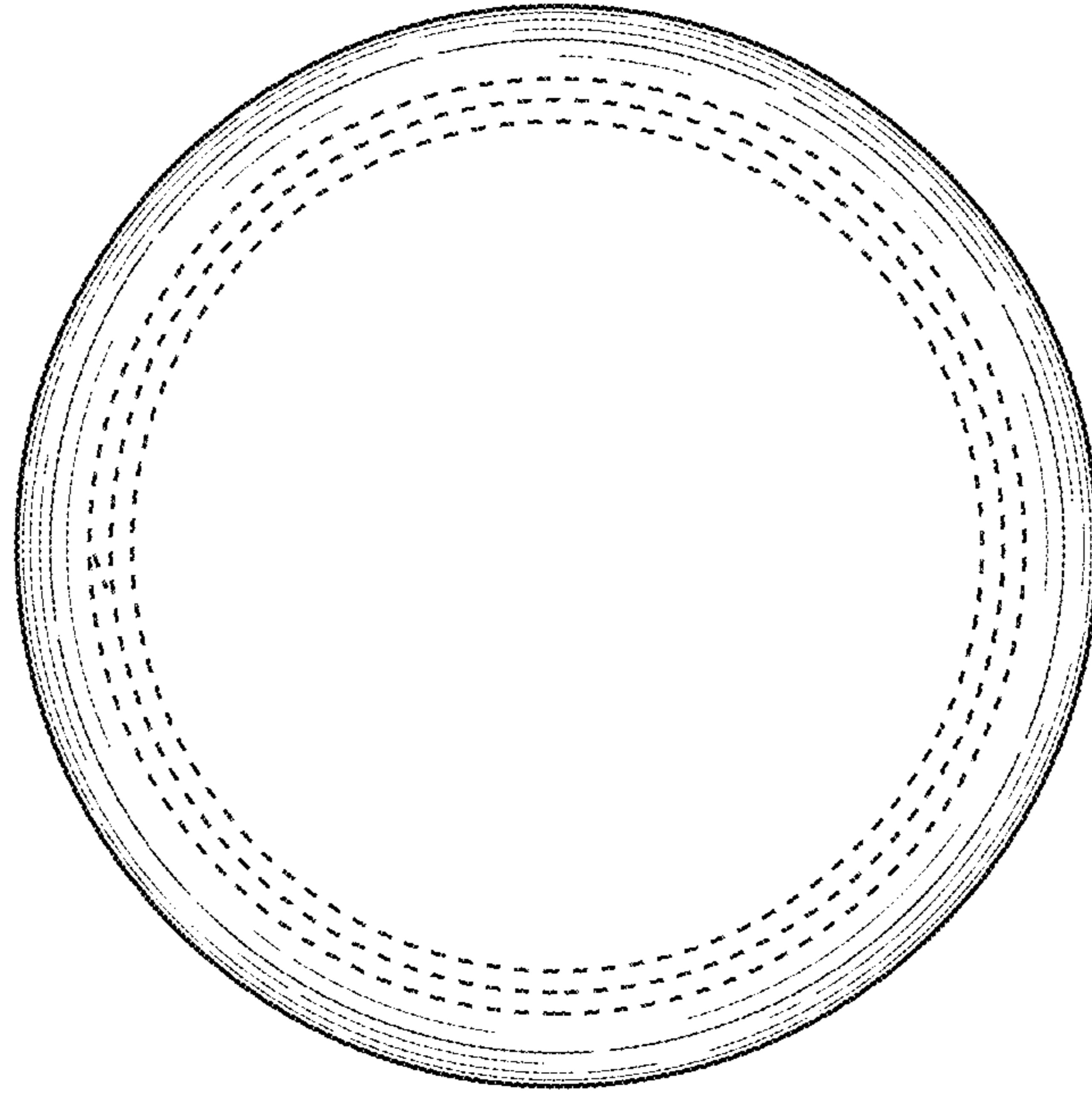


FIG. 7

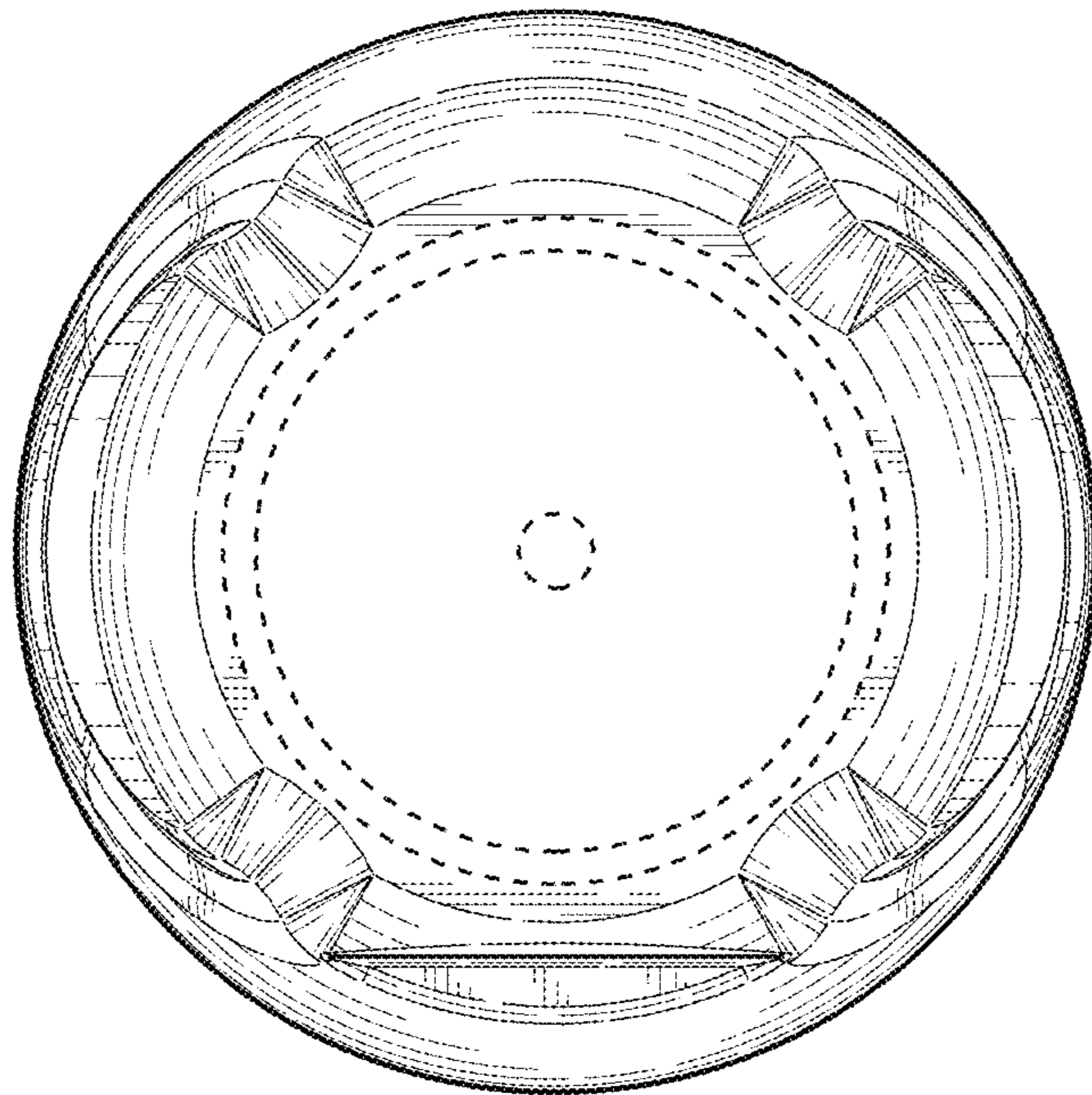


FIG. 8