



US00D782315S

(12) **United States Design Patent**  
**Mooney**

(10) **Patent No.:** **US D782,315 S**  
(45) **Date of Patent:** **\*\* Mar. 28, 2017**

(54) **CANISTER**

(71) Applicant: **Professional Disposables International, Inc.**, Orangeburg, NY (US)

(72) Inventor: **Michael Mooney**, Florida, NY (US)

(73) Assignee: **PROFESSIONAL DISPOSABLES INTERNATIONAL, INC.**, Orangeburg, NY (US)

(\*\*) Term: **14 Years**

(21) Appl. No.: **29/520,713**

(22) Filed: **Mar. 17, 2015**

(51) **LOC (10) Cl.** ..... **09-01**

(52) **U.S. Cl.**  
USPC ..... **D9/516; D9/530; D9/540**

(58) **Field of Classification Search**  
USPC ..... **D9/434, 435, 455, 516, 517, 530, 537, D9/538, 540, 541, 543, 549-550, 557,**  
(Continued)

(56) **References Cited**

**U.S. PATENT DOCUMENTS**

D233,385 S 10/1974 Freidman  
D251,684 S 4/1979 Wood et al.  
(Continued)

**OTHER PUBLICATIONS**

U.S. Appl. No. 29/520,705, filed Mar. 17, 2015.  
(Continued)

*Primary Examiner* — Ian Simmons

*Assistant Examiner* — Keith Frank

(74) *Attorney, Agent, or Firm* — Baker Botts L.L.P.

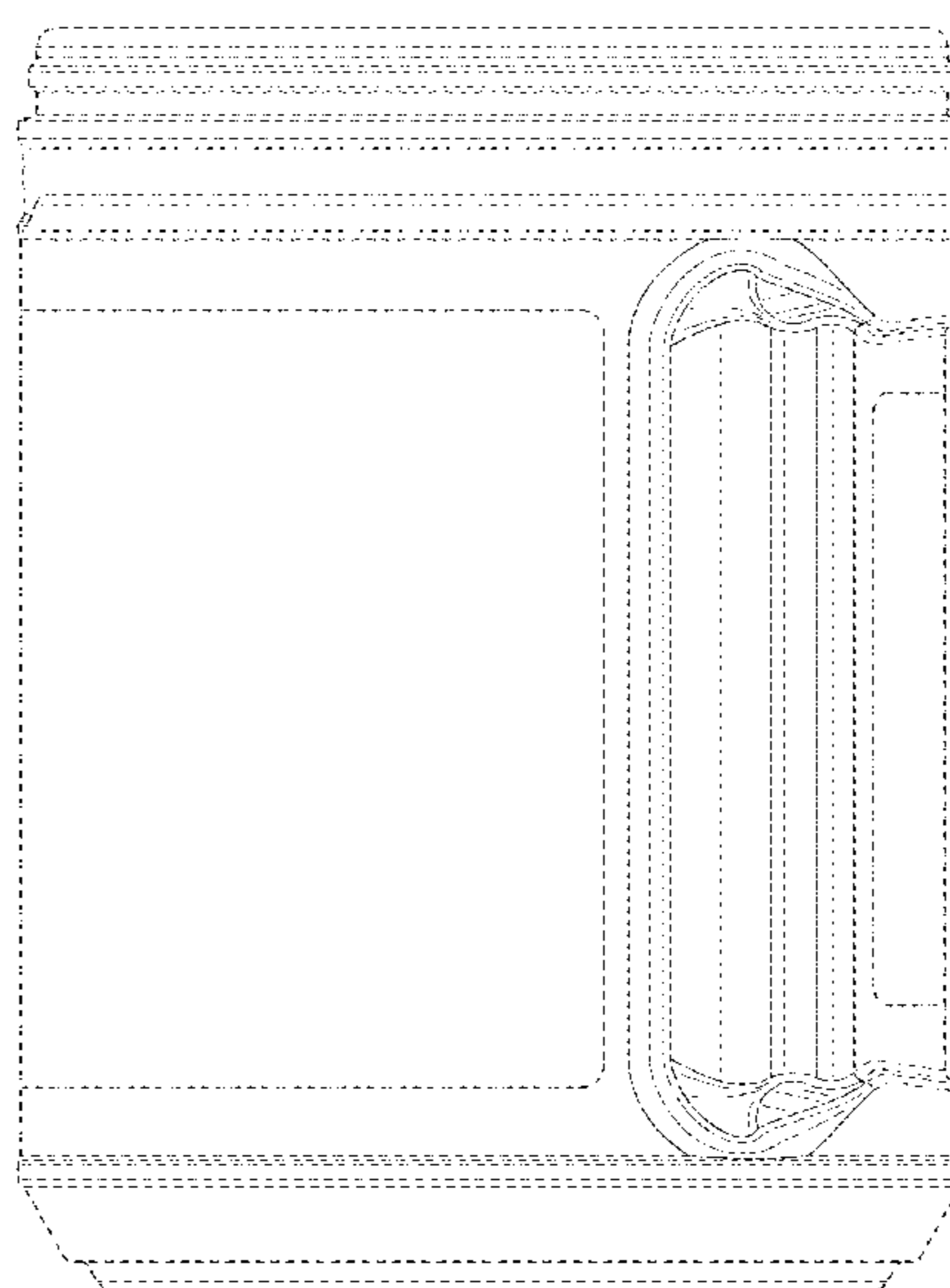
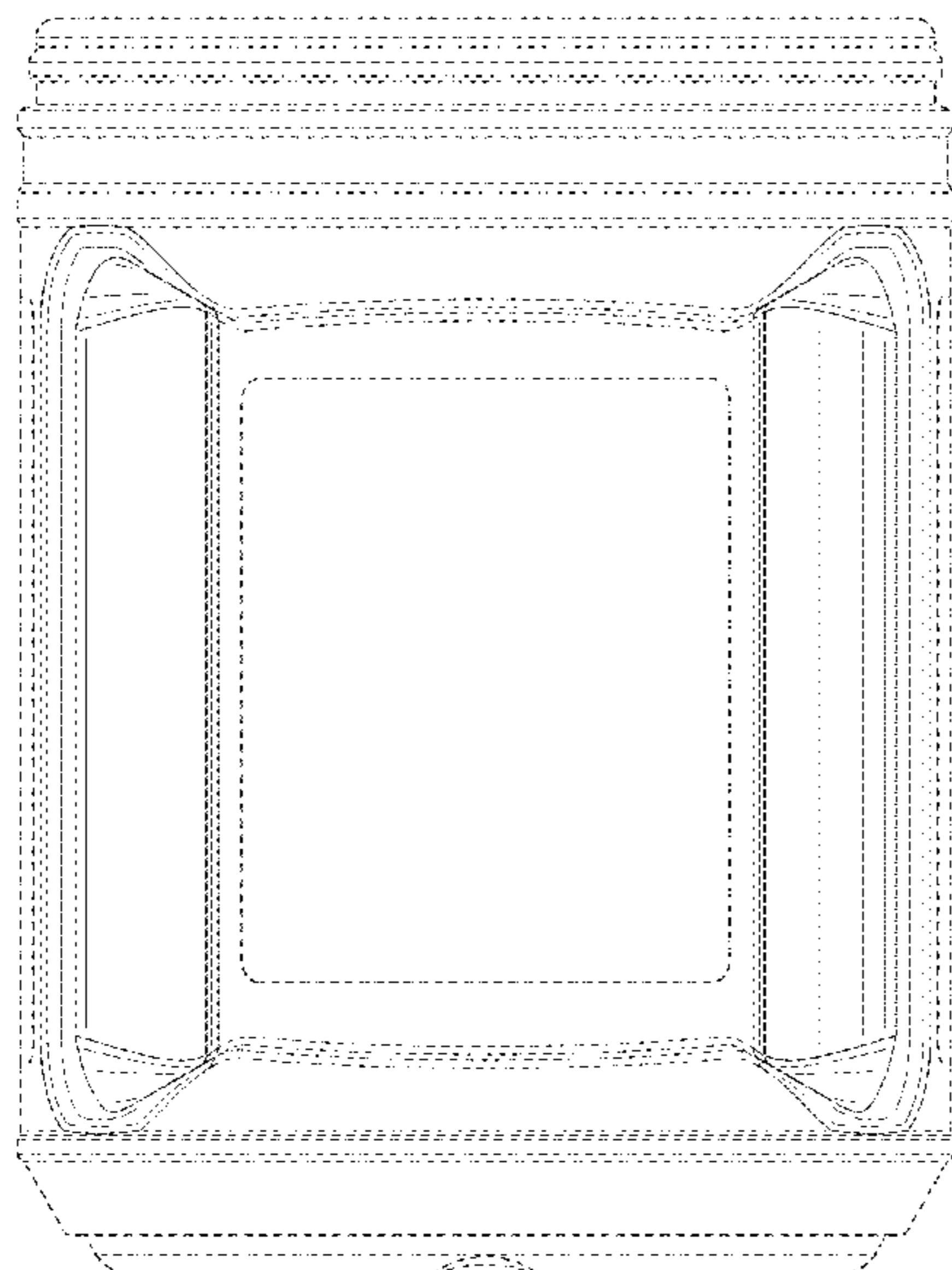
(57) **CLAIM**

The ornamental design for a canister, as shown and described.

**DESCRIPTION**

FIG. 1 is a perspective view of a canister, according to an embodiment of the disclosed subject matter.  
FIG. 2 is a rear view of the canister of FIG. 1, according to an embodiment of the disclosed subject matter.  
FIG. 3 is a front view of the canister of FIG. 1, according to an embodiment of the disclosed subject matter.  
FIG. 4 is a left side view of the canister of FIG. 1, according to an embodiment of the disclosed subject matter.  
FIG. 5 is a right side view of the canister of FIG. 1, according to an embodiment of the disclosed subject matter.  
FIG. 6 is a top plan view of the canister of FIG. 1, according to an embodiment of the disclosed subject matter.  
FIG. 7 is a bottom plan view of the canister of FIG. 1, according to an embodiment of the disclosed subject matter.  
FIG. 8 is a perspective view of a canister, according to an embodiment of the disclosed subject matter.  
FIG. 9 is a rear view of the canister of FIG. 8, according to an embodiment of the disclosed subject matter.  
FIG. 10 is a front view of the canister of FIG. 8, according to an embodiment of the disclosed subject matter.  
FIG. 11 is a left side view of the canister of FIG. 8, according to an embodiment of the disclosed subject matter.  
FIG. 12 is a right side view of the canister of FIG. 8, according to an embodiment of the disclosed subject matter.  
FIG. 13 is a top plan view of the canister of FIG. 8, according to an embodiment of the disclosed subject matter; and,  
FIG. 14 is a bottom plan view of the canister of FIG. 8, according to an embodiment of the disclosed subject matter.  
The broken lines in the drawings illustrate the portions of the canister that form no part of the claim.

**1 Claim, 14 Drawing Sheets**



(58) **Field of Classification Search**  
 USPC ..... D9/575, 715, 718, 722, 734; D7/601,  
                   D7/602, 612, 615, 629, 630  
 CPC ..... B65D 23/00; B65D 23/106; B65D  
                   2543/00092; B65D 2543/00351; B65D  
                   25/2897  
 See application file for complete search history.

(56) **References Cited**

U.S. PATENT DOCUMENTS

4,345,704	A	8/1982	Boughton	
D284,941	S	* 8/1986	Porteous .....	D9/418
D329,963	S	10/1992	Schneider	
D331,462	S	12/1992	Kraus et al.	
5,251,777	A	10/1993	McMahon	
D347,735	S	6/1994	Ziaylek, Jr. et al.	
D371,293	S	7/1996	Schoenmeyr	
D377,756	S	2/1997	Beardsley	
5,598,941	A	2/1997	Semersky et al.	
5,806,669	A	9/1998	Kim	
D417,612	S	12/1999	Jones	
D420,587	S	* 2/2000	Cheng .....	D9/434
6,059,245	A	5/2000	Hermansen et al.	
D429,152	S	* 8/2000	Lane .....	D9/434
6,231,019	B1	5/2001	Broste	
D444,069	S	* 6/2001	Bansal .....	D9/434
D448,672	S	* 10/2001	Cheng .....	D9/530
D448,674	S	* 10/2001	Mooney .....	D9/540
D472,813	S	* 4/2003	Wright .....	D9/530
D473,142	S	* 4/2003	Beaver .....	D9/530
D480,312	S	* 10/2003	Mungur .....	D9/537
D530,617	S	* 10/2006	Little .....	D9/543
D538,663	S	* 3/2007	Kamineni .....	D9/516
D586,223	S	2/2009	Little et al.	
D625,194	S	* 10/2010	Thierjung .....	D9/540
D627,612	S	11/2010	Falk et al.	
D636,266	S	4/2011	Walker et al.	
8,128,045	B2	3/2012	Skaggs	
D663,624	S	7/2012	Eble	

8,313,005	B2	* 11/2012	Scarola .....	B65D 23/102 215/382
D702,832	S	4/2014	Hadley	
D704,900	S	5/2014	Childs et al.	
8,720,841	B2	5/2014	Morren et al.	
D711,776	S	8/2014	Iannello et al.	
8,973,880	B2	3/2015	Goffman	
D727,656	S	4/2015	Lim	
D730,163	S	5/2015	Wu	
D739,612	S	9/2015	Kronebusch	
D742,213	S	11/2015	Sasanecki	
9,212,784	B2	12/2015	Frenal et al.	
D750,476	S	3/2016	Huang	
D750,773	S	3/2016	Eaton et al.	
2003/0057335	A1	3/2003	Roberts	
2004/0168996	A1	9/2004	Jones	
2006/0207963	A1	9/2006	Little et al.	
2007/0152120	A1	7/2007	Hostetler	
2011/0042537	A1	2/2011	Fahldiek	
2013/0043368	A1	2/2013	Hill	

OTHER PUBLICATIONS

U.S. Appl. No. 29/520,730, filed Mar. 17, 2015.  
 U.S. Appl. No. 29/520,705, Mar. 23, 2016 Restriction Requirement Filed.  
 U.S. Appl. No. 29/520,730, Apr. 11, 2016 Non-Final Office Action.  
 U.S. Appl. No. 29/520,705, Jul. 1, 2016 Non-Final Office Action.  
 U.S. Appl. No. 29/520,705, Apr. 29, 2016 Response to Restriction Requirement.  
 U.S. Appl. No. 29/520,730, Jul. 7, 2016 Response to Non-Final Office Action.  
 AutoZone. Ford Aspire 1994-1998 Repair Guide. 1998. Retrieved on [Sep. 28, 2016]. Retrieved from <URL: <http://www.autozone.com/repairguides/Ford-Aspire-1994-1998-RepairGuide/EMIS-SION-CONTROLS/Evaporative-Emission-Controls//P0900c15280079a8c>>; figures 3, 12; p. 5, "Removal and Installation".  
 International Search Report and Written Opinion mailed Apr. 7, 2016 in International Application No. PCT/US16/014907.

\* cited by examiner

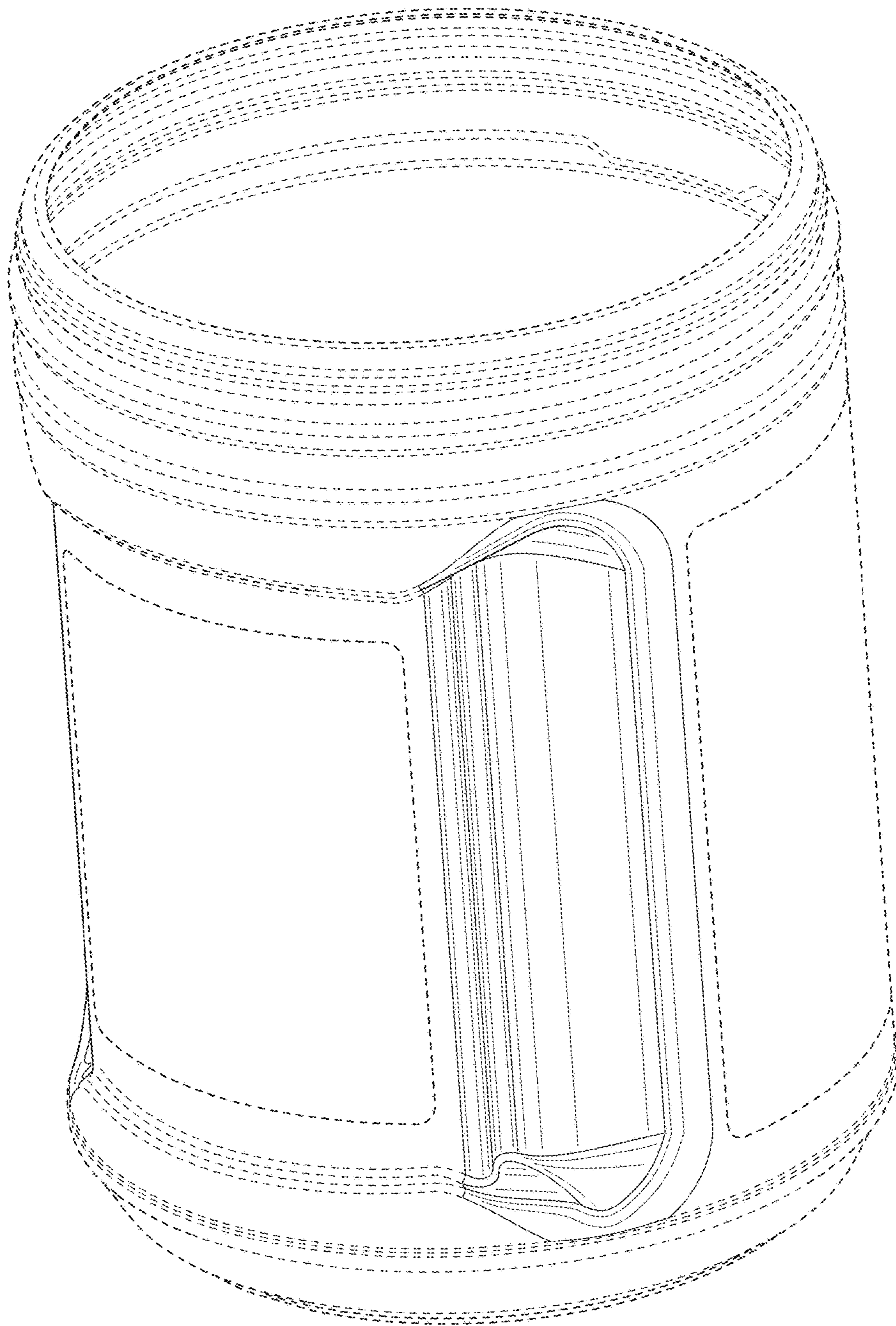


FIG. 1

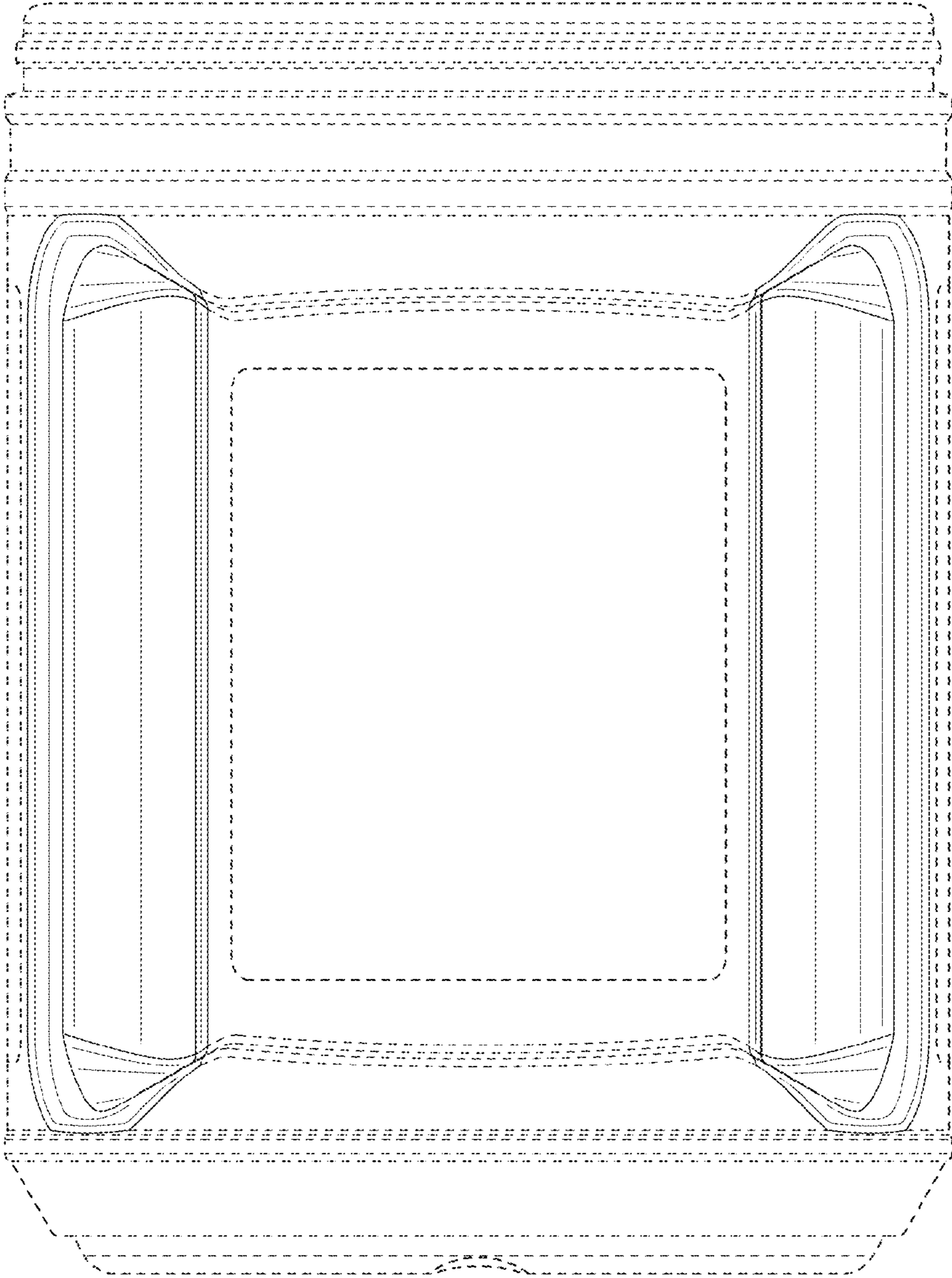


FIG. 2

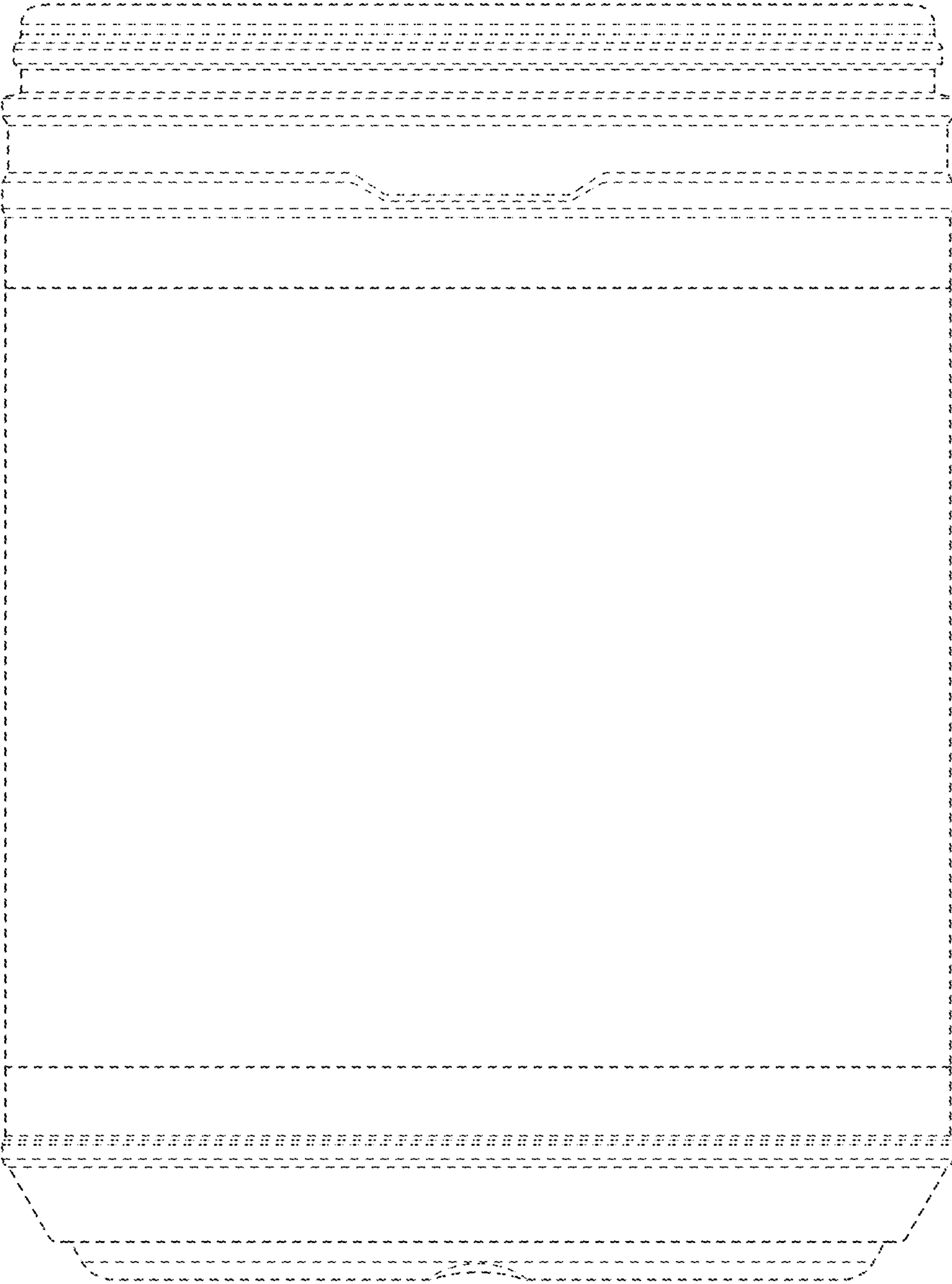


FIG. 3

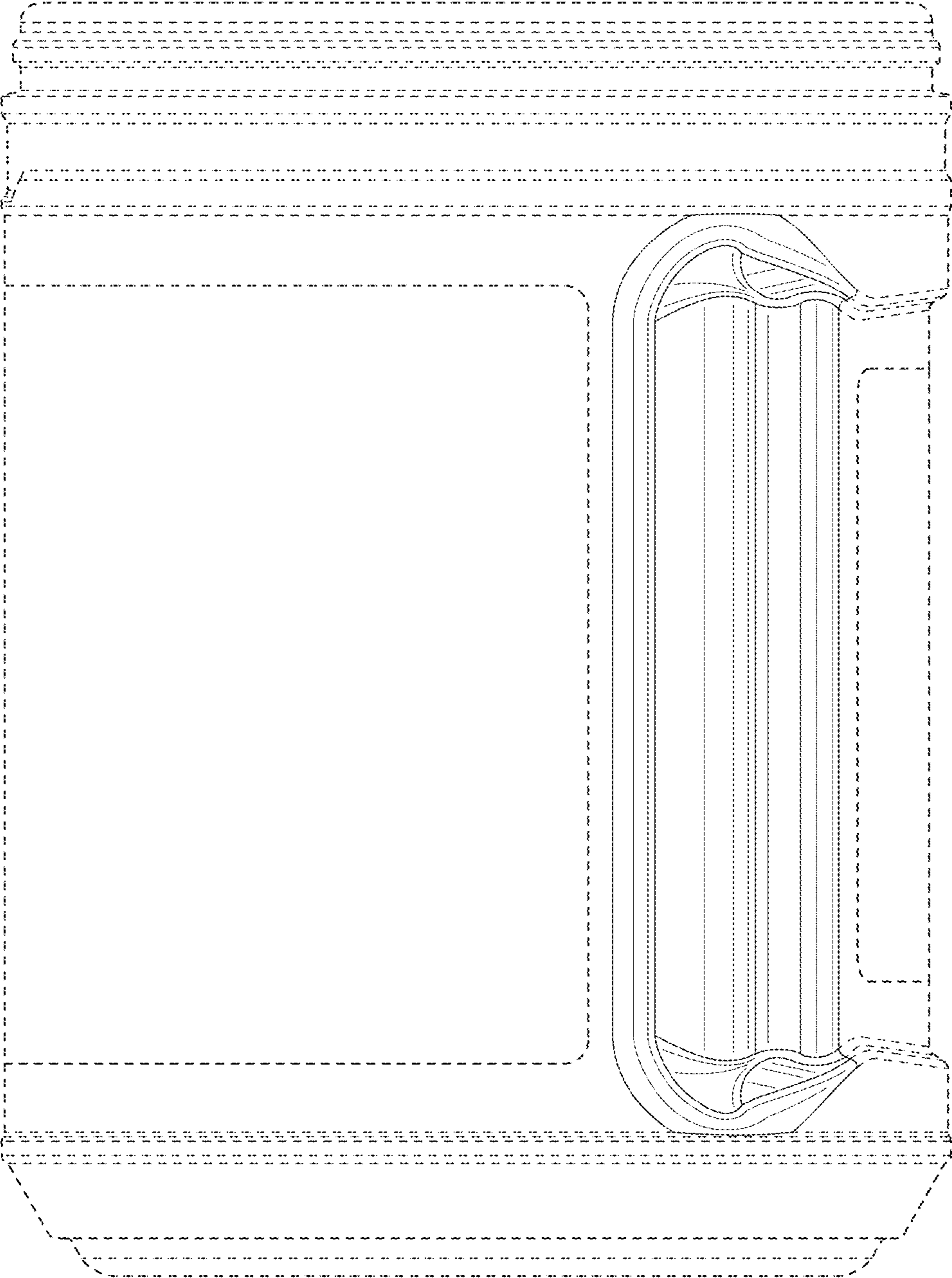


FIG. 4

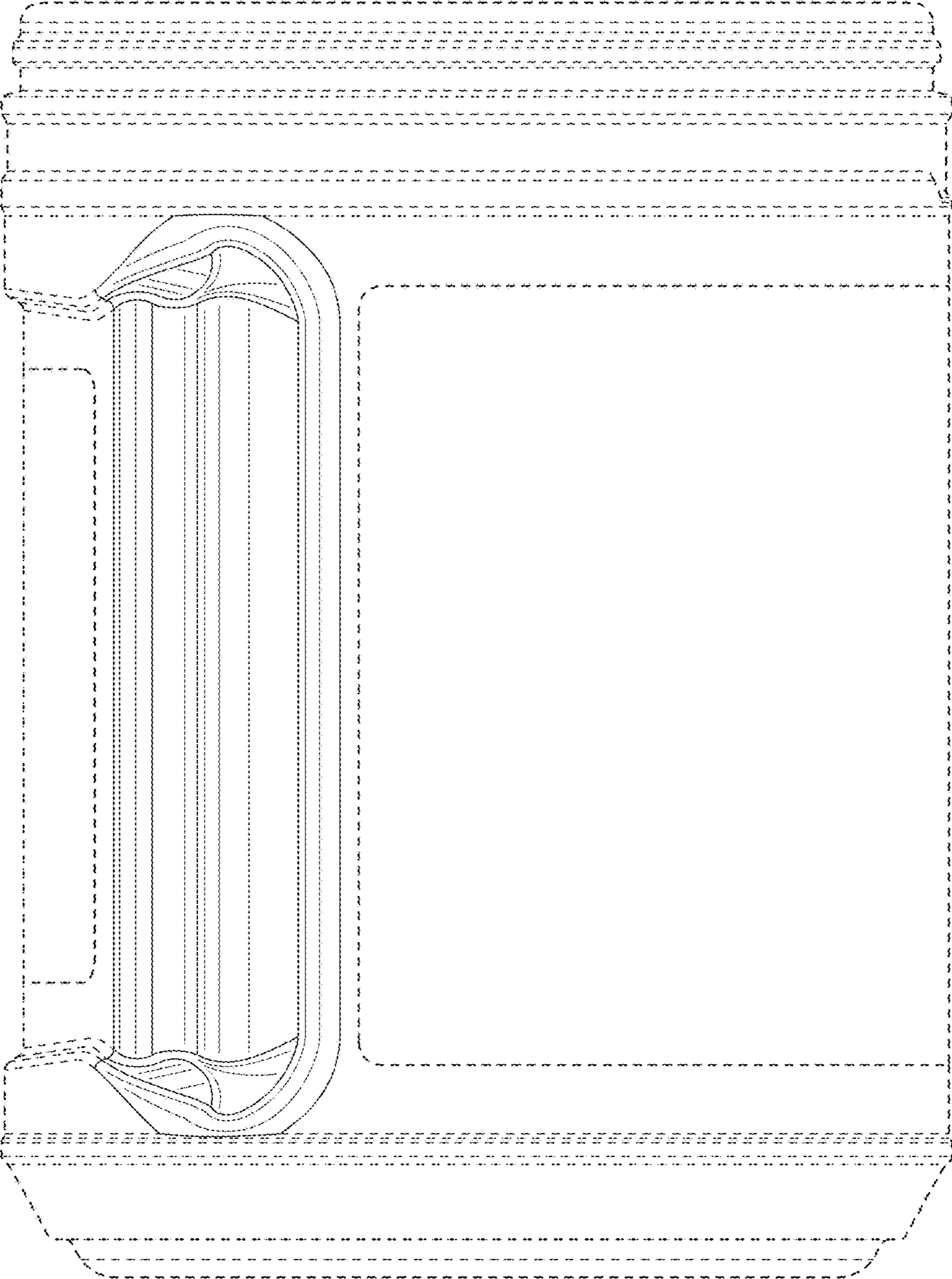


FIG. 5

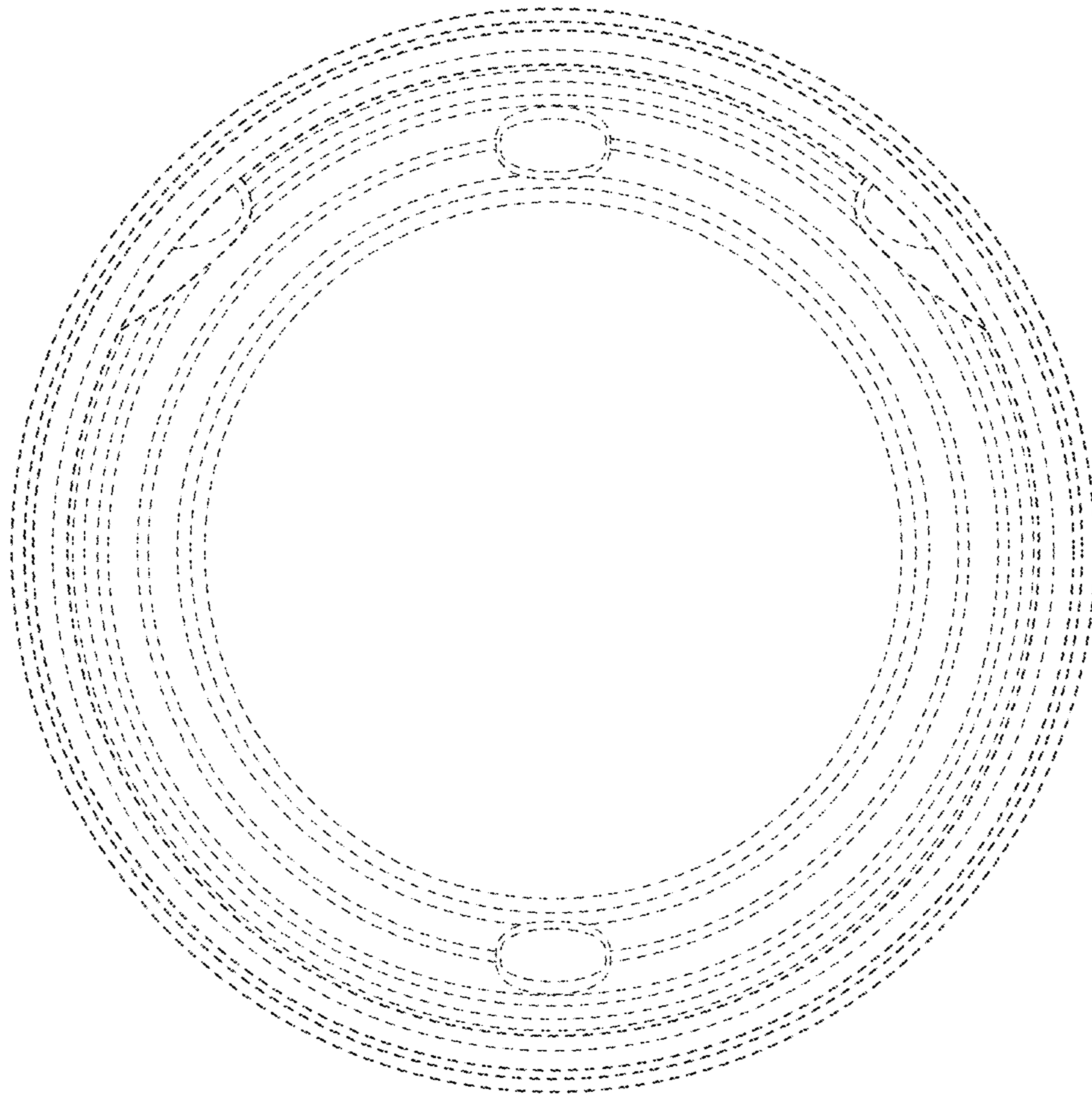


FIG. 6



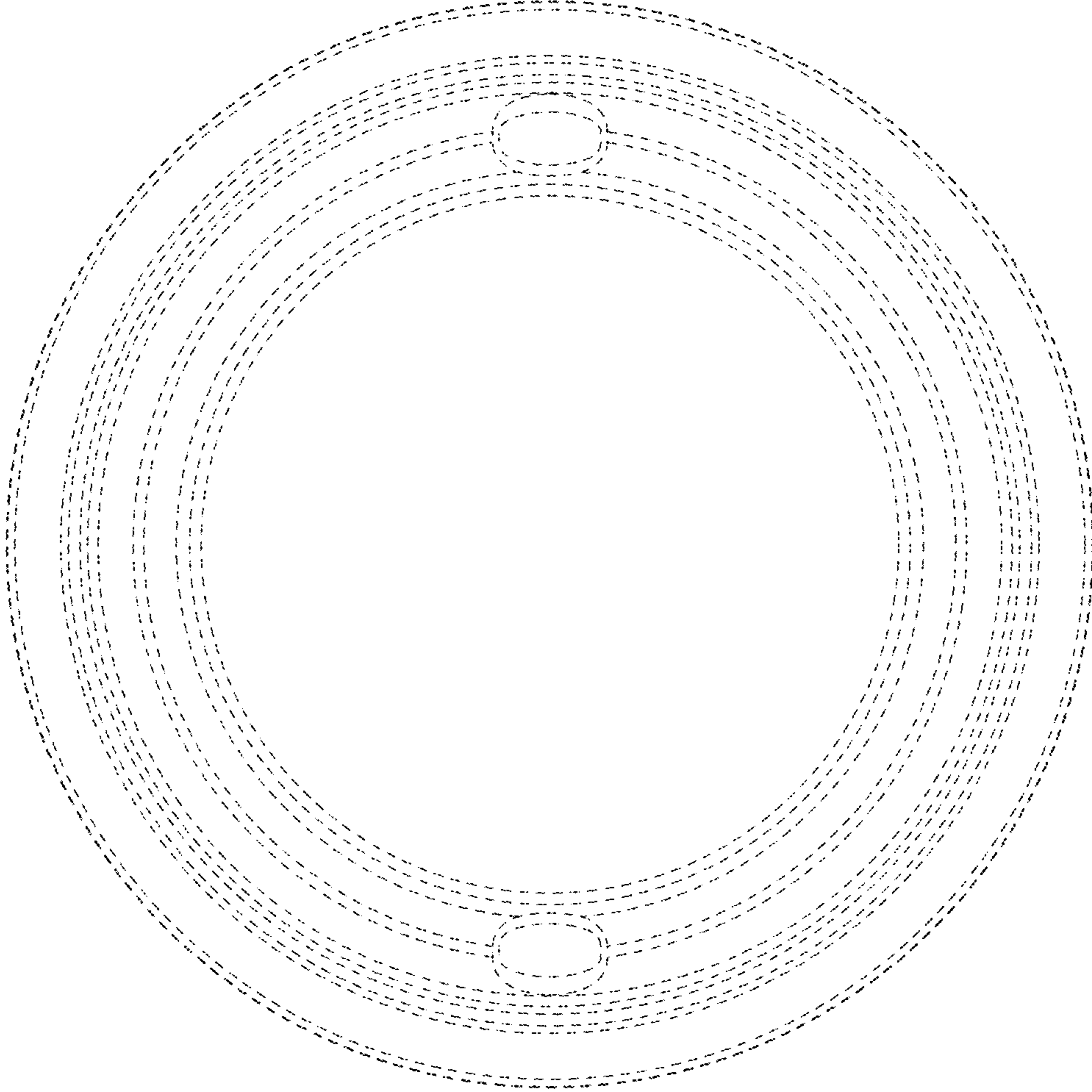


FIG. 7

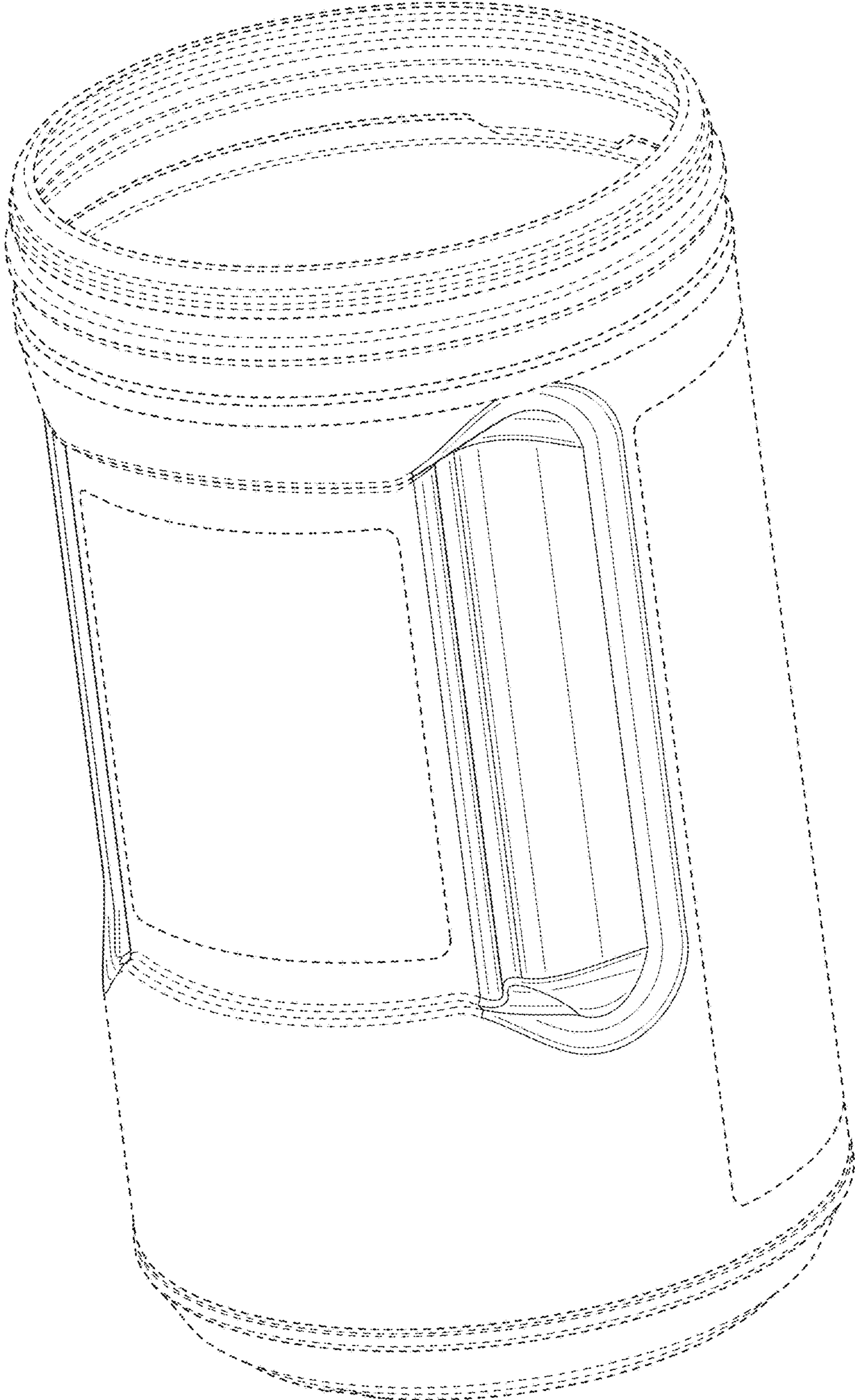


FIG. 8

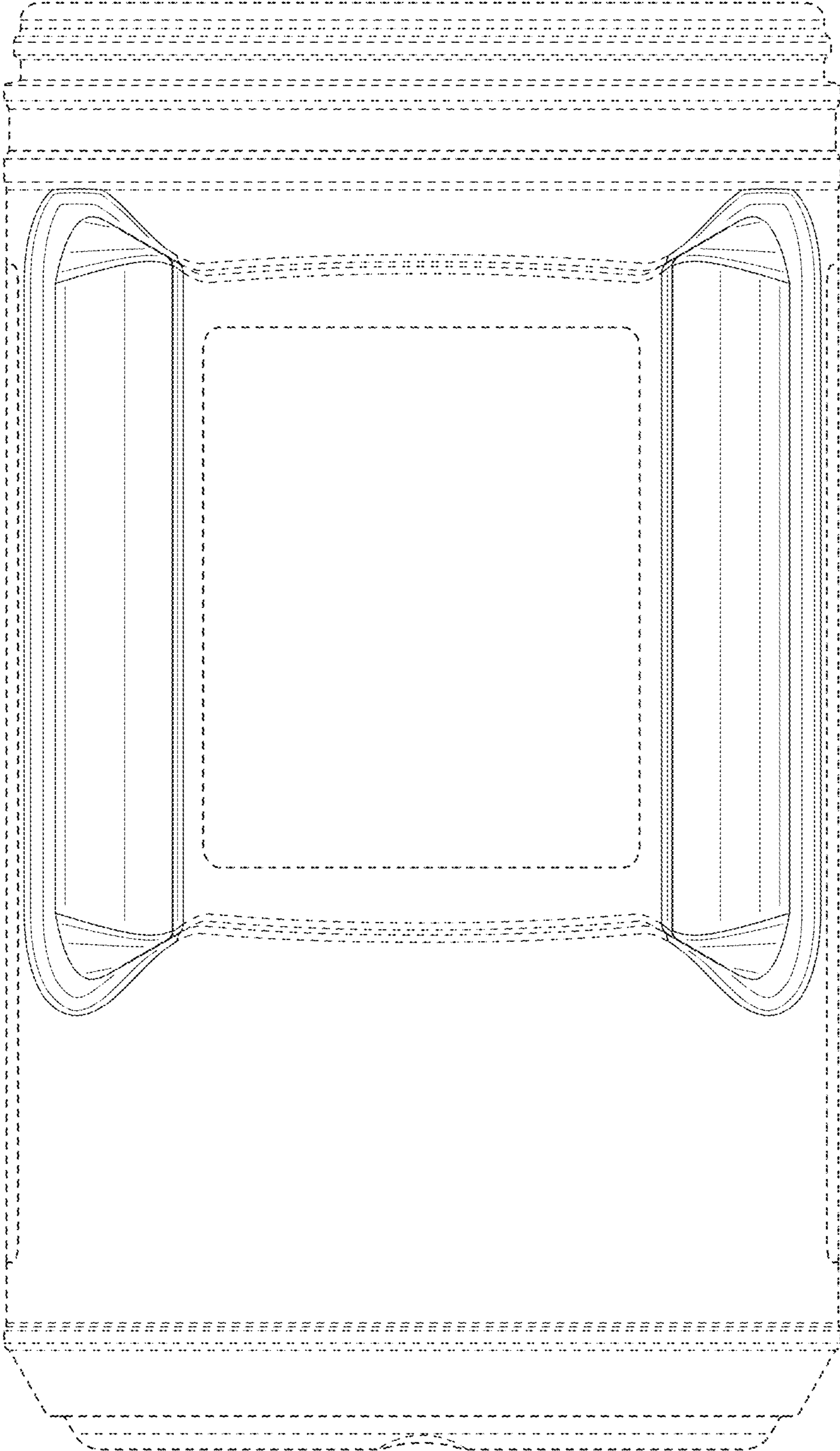


FIG. 9



FIG. 10

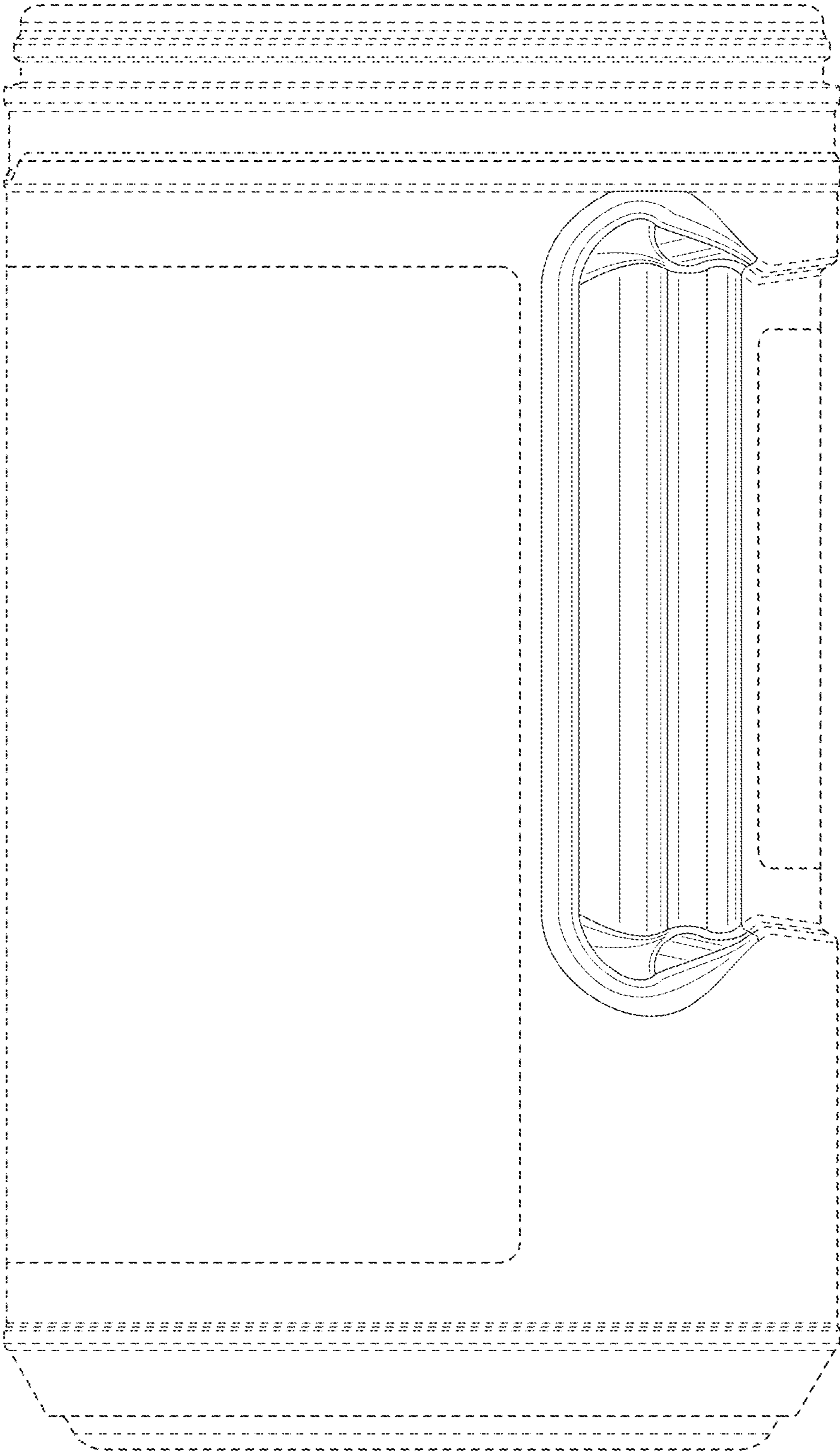


FIG. 11

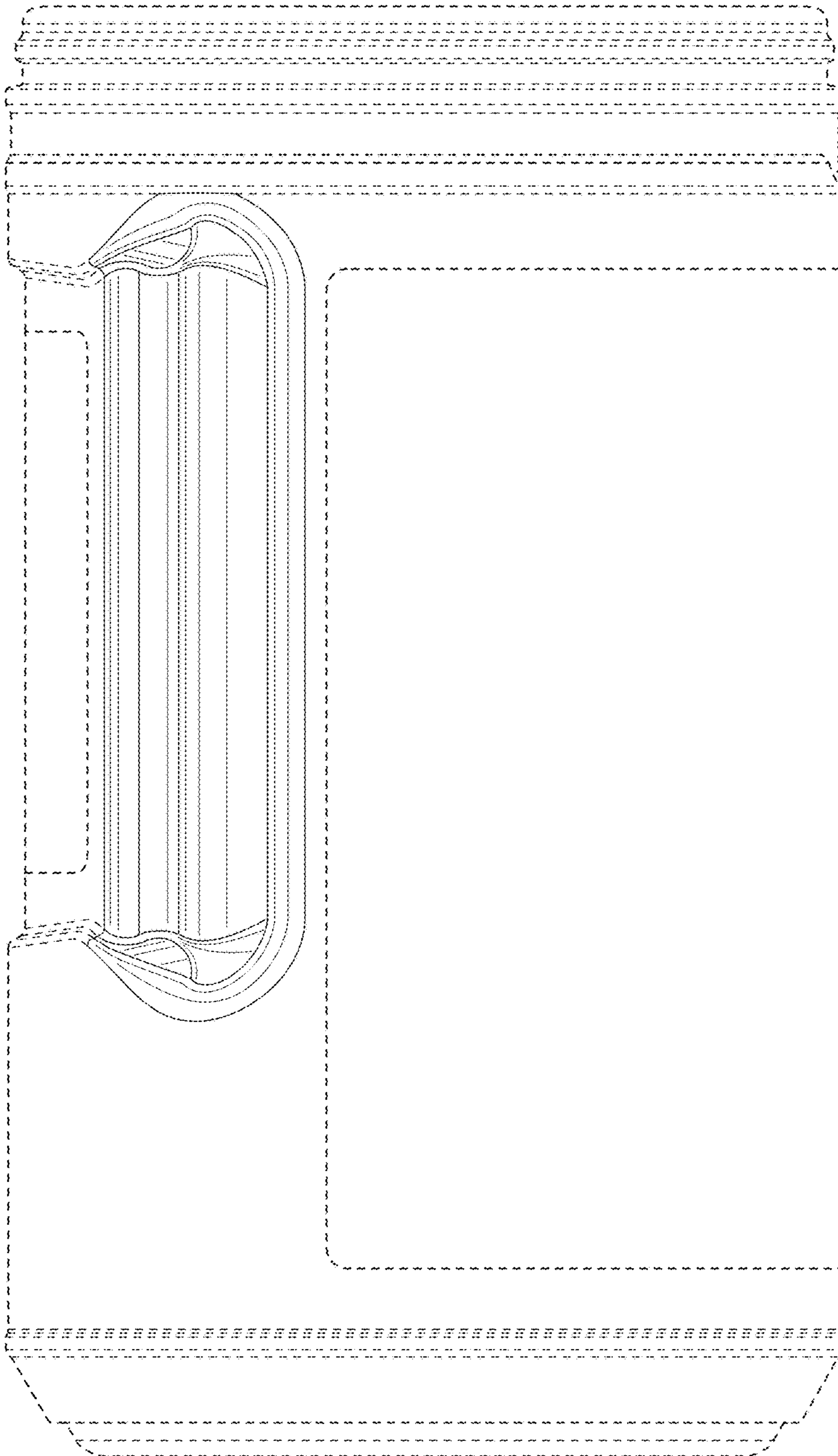


FIG. 12

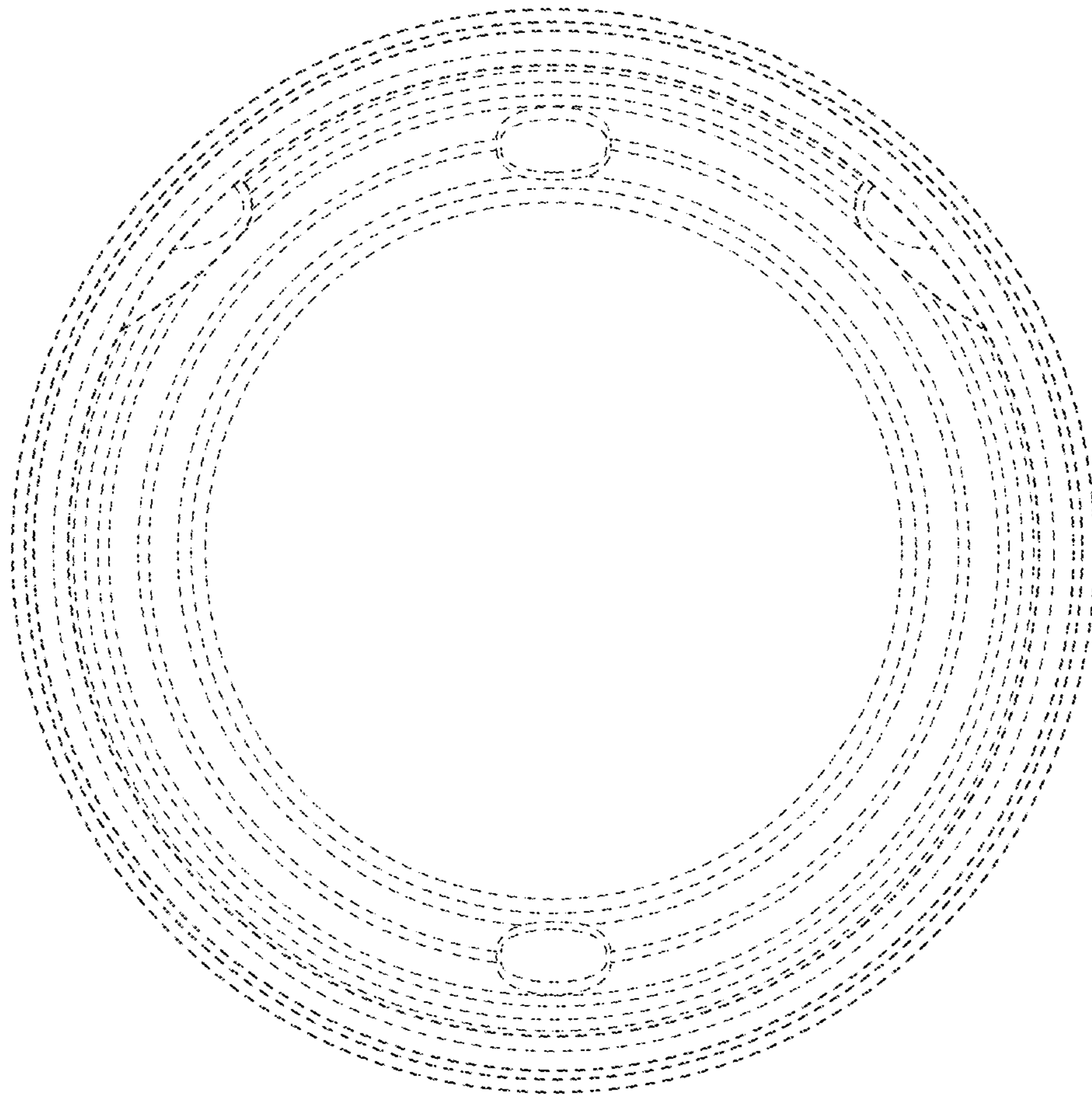


FIG. 13

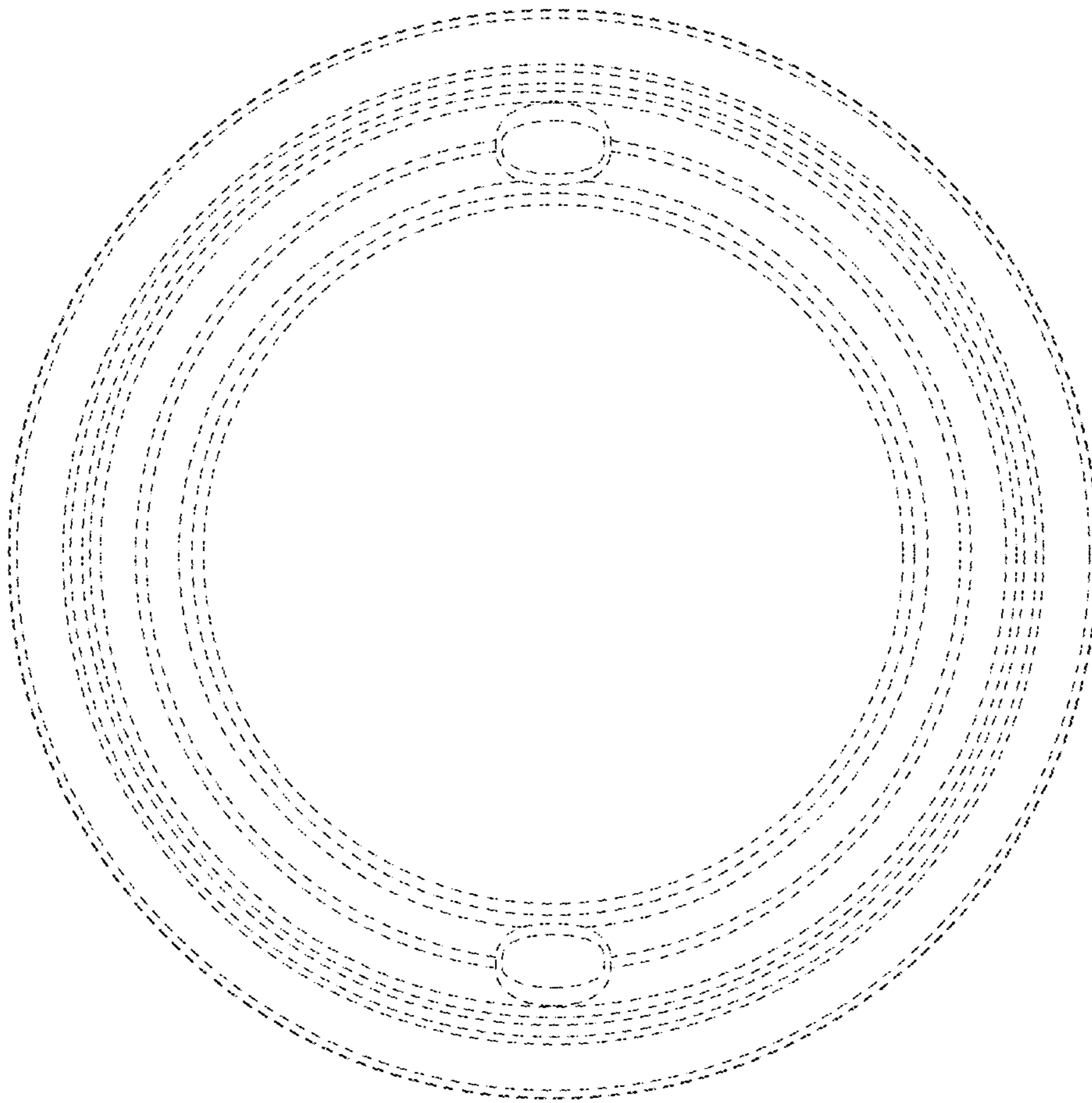


FIG. 14