



US00D782312S

(12) **United States Design Patent**
Soriano Tato

(10) **Patent No.:** **US D782,312 S**
(45) **Date of Patent:** **** Mar. 28, 2017**

- (54) **CAP FOR A BOTTLE**
- (71) Applicant: **Fernando Samuel Soriano Tato**,
Alicante (ES)
- (72) Inventor: **Fernando Samuel Soriano Tato**,
Alicante (ES)
- (**) Term: **14 Years**
- (21) Appl. No.: **29/510,430**
- (22) Filed: **Nov. 27, 2014**
- (30) **Foreign Application Priority Data**
May 28, 2014 (EM) 002473058-0004
- (51) **LOC (10) Cl.** **09-07**
- (52) **U.S. Cl.**
USPC **D9/453**; D9/434; D9/435; D9/452
- (58) **Field of Classification Search**
USPC D3/202, 318; D7/300, 300.1, 316, 317,
D7/387, 391, 392.1, 393, 396.2, 398, 509,
D7/510, 511, 523-531, 538, 541, 549,
D7/629, 703, 900; D9/434, 435, 436,
D9/438, 439, 440, 443, 446-450, 452,
D9/453, 454, 502, 503, 504, 516, 517,
D9/529, 723, 724, 746, 763, 774;
D19/70, 71, 115, 162, 163, 165, 192, 194;
D24/121, 127, 199, 224; D23/206, 208,
D23/227, 259, 260; D28/7, 76, 78, 82,
D28/85,
D28/91; 215/235, 236, 307, 311;
220/254.2, 254.5, 259.3, 715, 837;
222/92, 215, 386, 490, 531, 536
CPC . B65D 23/00; B65D 1/00; B65D 1/02; B65D
1/0223; B65D 51/18; B65D 41/62
See application file for complete search history.

(56) **References Cited**

U.S. PATENT DOCUMENTS

- D518,716 S * 4/2006 Mallet D9/449
- D527,631 S * 9/2006 Mallet D9/449

- D527,632 S * 9/2006 Romer D9/453
- D566,555 S * 4/2008 Berman D9/453
- D572,131 S * 7/2008 Berman D9/453
- D573,022 S * 7/2008 Berman D9/453
- D631,350 S * 1/2011 Beach D9/453
- D634,633 S * 3/2011 Moreau D9/448
- 8,029,316 B2 * 10/2011 Snyder H01R 9/05
439/578
- D709,374 S * 7/2014 Wilcox D9/453
- D732,389 S * 6/2015 Nickel D9/453
- 2006/0151526 A1 * 7/2006 Narayanan B65D 35/12
222/92
- 2015/0368010 A1 * 12/2015 Walker B65D 51/04
220/254.3

* cited by examiner

Primary Examiner — Thomas Johannes
Assistant Examiner — Catherine Posthauer
 (74) *Attorney, Agent, or Firm* — Mark M. Friedman

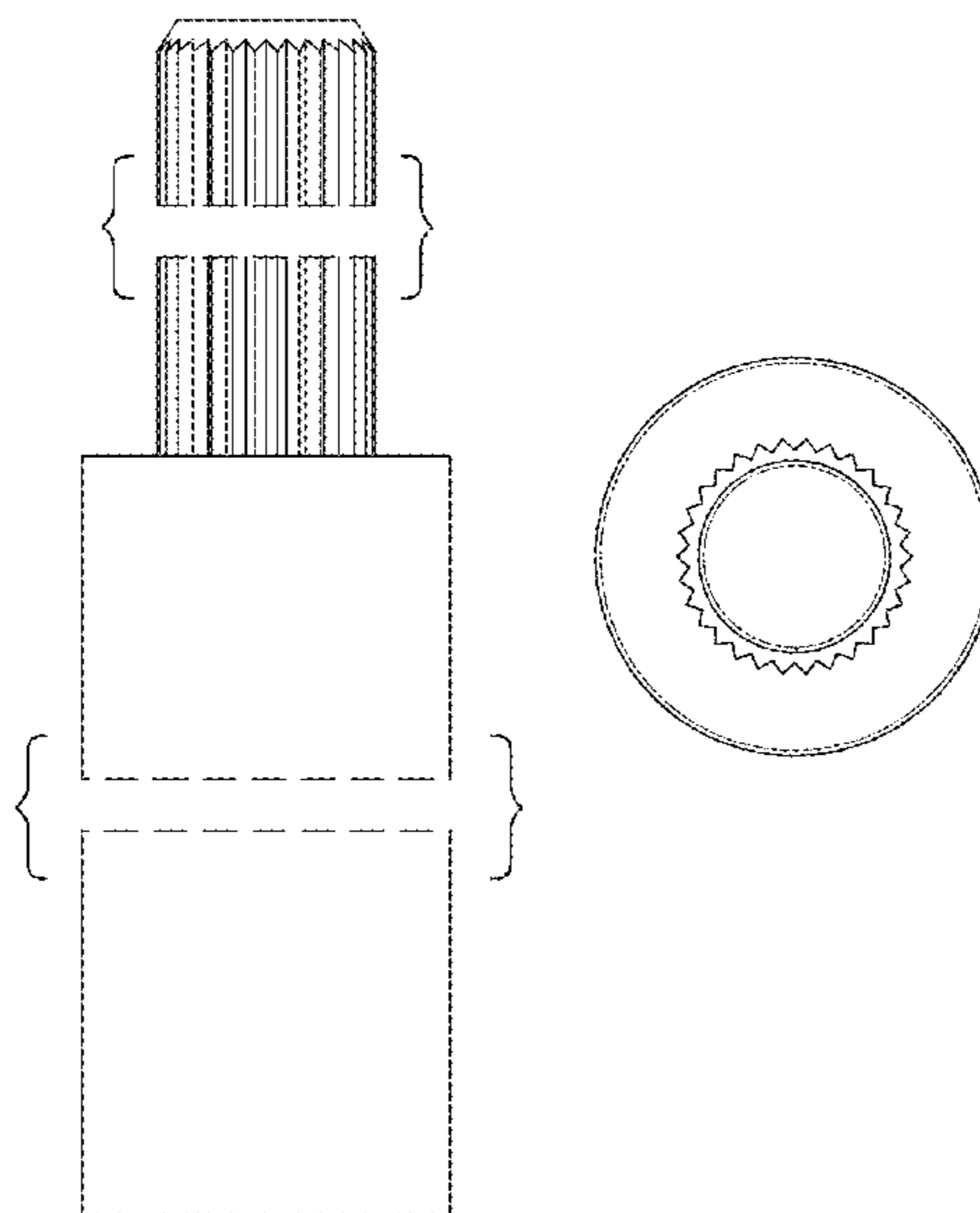
(57) **CLAIM**

The ornamental design for a cap for a bottle, as shown and described.

DESCRIPTION

FIG. 1 is a front view of a cap for a bottle showing my new design;
 FIG. 2 is a top view thereof; and,
 FIG. 3 is a bottom view thereof.
 The evenly broken lines are shown for the purpose of describing symbolic break edges and form no part of the claimed design. The dot-dash lines in FIG. 2 represent the boundaries of the claim and form no part thereof; the unshaded area adjacent to each boundary and toward the center of the design is excluded from the claim. The broken away symbols in the drawings indicate that any portion of the article beyond what is shown forms no part of the claimed design.

1 Claim, 3 Drawing Sheets



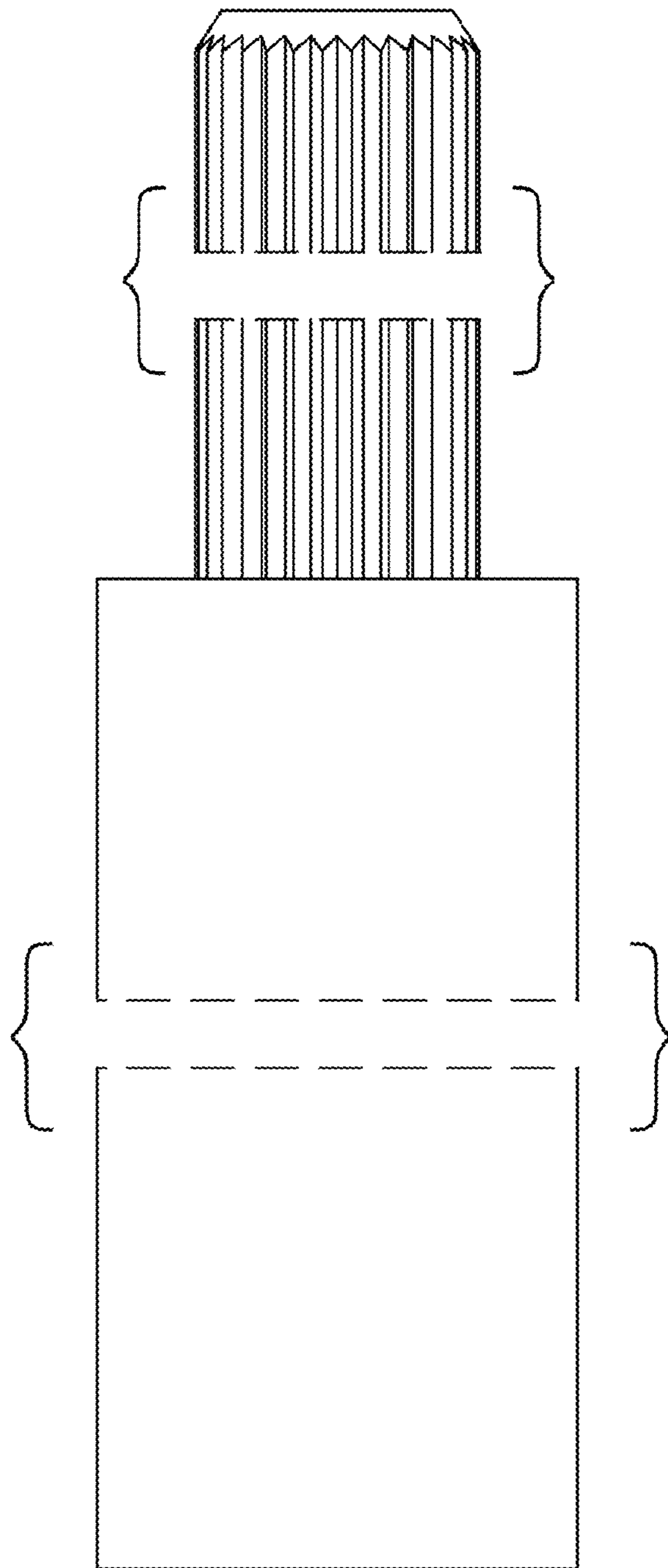


FIG. 1

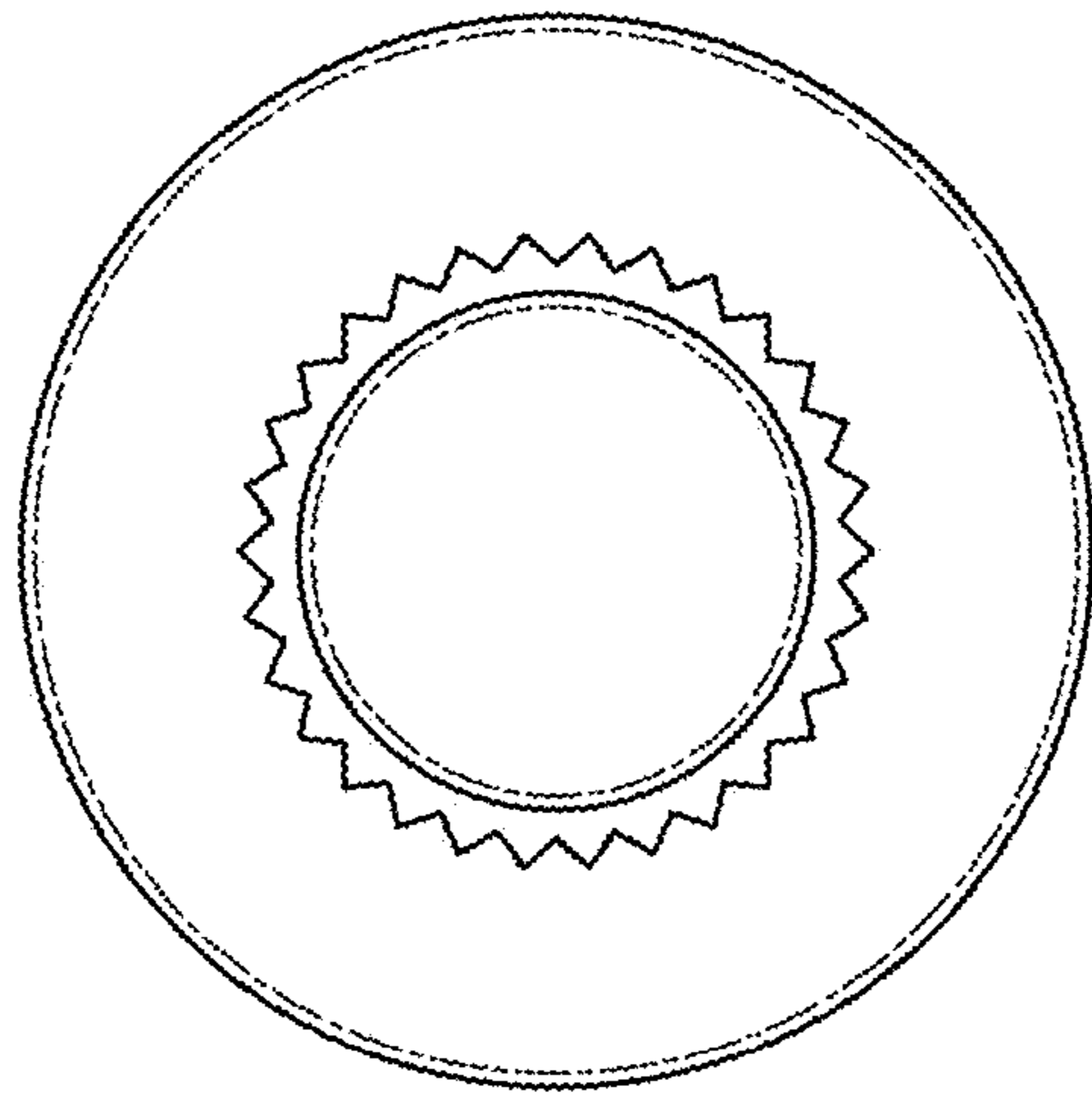


FIG. 2

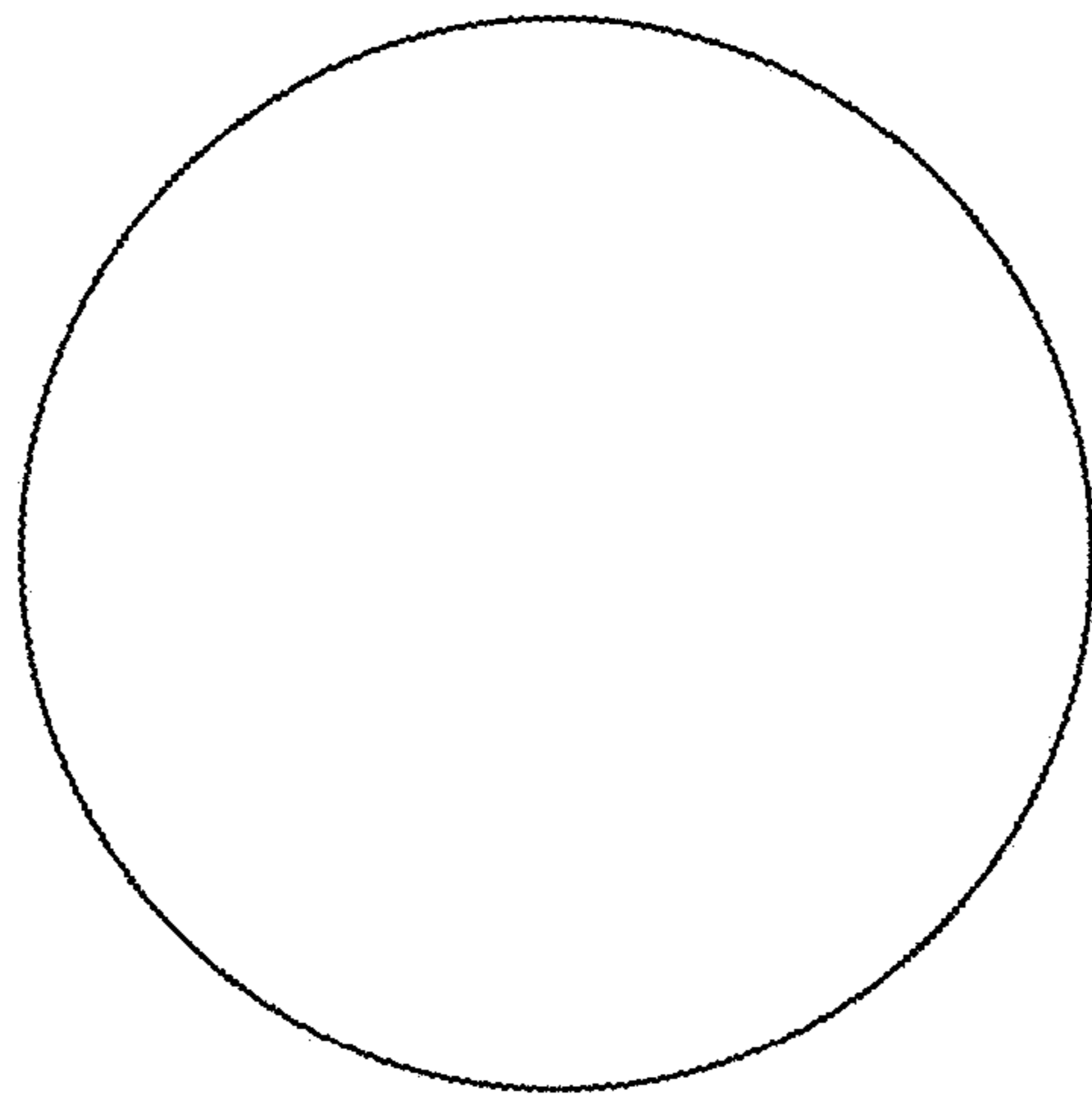


FIG. 3