



US00D782310S

(12) **United States Design Patent** (10) **Patent No.:** **US D782,310 S**
Li (45) **Date of Patent:** **** Mar. 28, 2017**

(54) **CONTAINER LID**

FOREIGN PATENT DOCUMENTS

(71) Applicant: **WM. WRIGLEY JR. COMPANY,**
Chicago, IL (US)

KR 300639104.0000 * 2/2016

(72) Inventor: **Monica Li,** Guangzhou (CN)

OTHER PUBLICATIONS

(73) Assignee: **WM. WRIGLEY JR. COMPANY,**
Chicago, IL (US)

Wrigley's Extra: Announced Oct. 23, 2009 [online], site visited Mar. 1, 2016. Available from Internet URL: <http://www.wrigley.com/uk/brands/extra.aspx>.*

(**) Term: **14 Years**

(Continued)

(21) Appl. No.: **29/509,814**

Primary Examiner — Thomas Johannes

(22) Filed: **Nov. 21, 2014**

Assistant Examiner — Catherine Posthauer

(30) **Foreign Application Priority Data**

May 21, 2014 (CN) 2014 3 0142226

(51) **LOC (10) Cl.** **09-07**

(52) **U.S. Cl.**
USPC **D9/449**; D9/434; D9/435

(58) **Field of Classification Search**

USPC .. D3/202, 203.1, 203.2, 318, 273, 275, 294;
D7/300, 300.1, 216, 317, 387, 391, 391.2,
D7/393, 396.2, 509, 510, 511, 523,
D7/525-531, 538, 541, 549, 629, 703,
D7/900; D9/434, 435, 436, 438, 439,
D9/440, 443, 446, 447, 448, 449, 450,
D9/452, 453, 454, 502, 503, 504, 516,
D9/517, 529; D19/70, 71, 115, 93, 162,
D19/163, 165, 192, 194; D26/36, 123,
D26/124; D24/121, 127, 299, 224;
D28/7, 76, 78, 82, 85, 91; D34/1, 7, 10,
D34/11, 29; 206/216, 219, 541, 222, 221,

(Continued)

(56) **References Cited**

U.S. PATENT DOCUMENTS

D265,060 S * 6/1982 Blank D9/446
D285,656 S 9/1986 Champion

(Continued)

(57) **CLAIM**

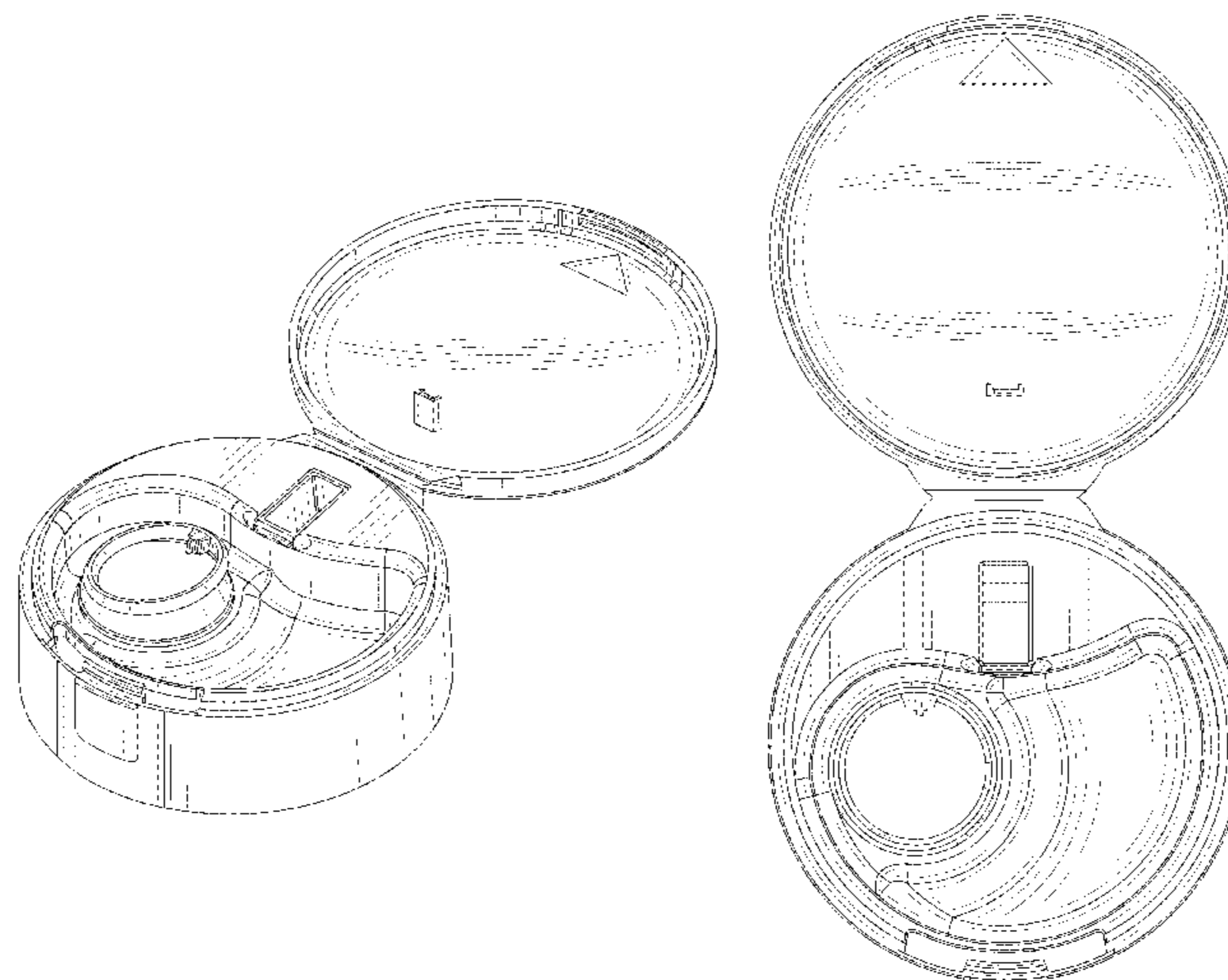
The ornamental design for a container lid, as shown and described.

DESCRIPTION

FIG. 1 is a right side perspective view of a container lid in an open position showing my new design;
FIG. 2 is a top plan view of FIG. 1;
FIG. 3 is a bottom plan view of FIG. 1;
FIG. 4 is a right perspective view of FIG. 1 in a closed position;
FIG. 5 is a front elevation view of FIG. 4;
FIG. 6 is a rear elevation view of FIG. 4;
FIG. 7 is a left side elevation view of FIG. 4;
FIG. 8 is a right side elevation view of FIG. 4;
FIG. 9 is a top plan view of FIG. 4; and,
FIG. 10 is a bottom plan view of FIG. 4.

The broken lines are shown for the purpose of illustrating parts of the container lid that form no part of the claimed design.

1 Claim, 6 Drawing Sheets



(58) **Field of Classification Search**

USPC 206/220; 215/306, 305, 228, 200;
 220/212.5, 200; 222/81, 83, 556, 533,
 222/519, 205, 192, 158, 153.01
 CPC B65D 50/041; B65D 23/00; B65D 1/00;
 B65D 1/02; B65D 1/0223; B65D 83/06;
 A47G 18/22; A47G 18/23

See application file for complete search history.

(56) **References Cited**

U.S. PATENT DOCUMENTS

D307,238 S 4/1990 May
 D335,382 S 5/1993 O'Brien
 D455,077 S * 4/2002 Gaiser D9/449
 D465,971 S 11/2002 Renz
 D466,371 S 12/2002 Parker
 D470,638 S 2/2003 Quan
 D483,611 S 12/2003 Diak Ghanem
 D502,396 S 3/2005 Frisch et al.
 D508,203 S * 8/2005 Ziegenhorn D9/449
 D508,402 S * 8/2005 Hierzer D9/449
 D508,853 S * 8/2005 Ziegenhorn D9/449
 D531,519 S 11/2006 Ioannides et al.
 D535,151 S 1/2007 Seum et al.
 D541,154 S * 4/2007 Moribata D9/449
 D545,131 S 6/2007 Seum et al.
 D547,611 S 7/2007 Seum et al.
 D550,084 S 9/2007 King
 D567,089 S 4/2008 Glydon et al.
 D585,741 S * 2/2009 Wilson D9/449
 D588,915 S * 3/2009 Lohrman D9/449
 D598,752 S * 8/2009 Wilson D9/449
 D601,022 S 9/2009 Zamberlan et al.

7,611,025 B2 * 11/2009 Nusbaum B65D 47/0838
 215/235
 D614,033 S 4/2010 Hassamanci
 D614,488 S * 4/2010 Kallenbach D9/449
 D623,060 S 9/2010 Hassamanci
 D626,417 S 11/2010 Kim
 D628,889 S * 12/2010 Groubert D9/449
 D628,892 S * 12/2010 Groubert D9/449
 D628,893 S * 12/2010 Groubert D9/449
 D634,198 S * 3/2011 Groubert D9/449
 D636,672 S * 4/2011 Lohrman D9/438
 D666,096 S * 8/2012 Cummings D9/447
 D668,509 S 10/2012 Beugelsdijk et al.
 D681,458 S * 5/2013 Santarelli D9/443
 D688,554 S * 8/2013 Fracasso D9/447
 D691,848 S 10/2013 Trudeau et al.
 D696,586 S 12/2013 Huang
 D709,764 S * 7/2014 Gibb D9/449
 D711,230 S * 8/2014 den Boer D9/449
 D713,723 S * 9/2014 den Boer D9/449
 D713,724 S * 9/2014 den Boer D9/449
 D716,660 S 11/2014 Quinones et al.
 D722,267 S * 2/2015 Miranda De Araujo D9/449
 D745,400 S 12/2015 Canuto
 2001/0050264 A1 12/2001 Schorner
 2006/0186077 A1 * 8/2006 Robinson B65D 47/0814
 215/237
 2006/0186079 A1 * 8/2006 Ziegenhorn B65D 47/0809
 215/237

OTHER PUBLICATIONS

Wrigley's Extra Ice: Announced Oct. 23, 2009 [online], site visited
 Mar. 1, 2016. Available from Internet URL: <http://www.wrigley.com/uk/brands/extra.aspx>.*

* cited by examiner

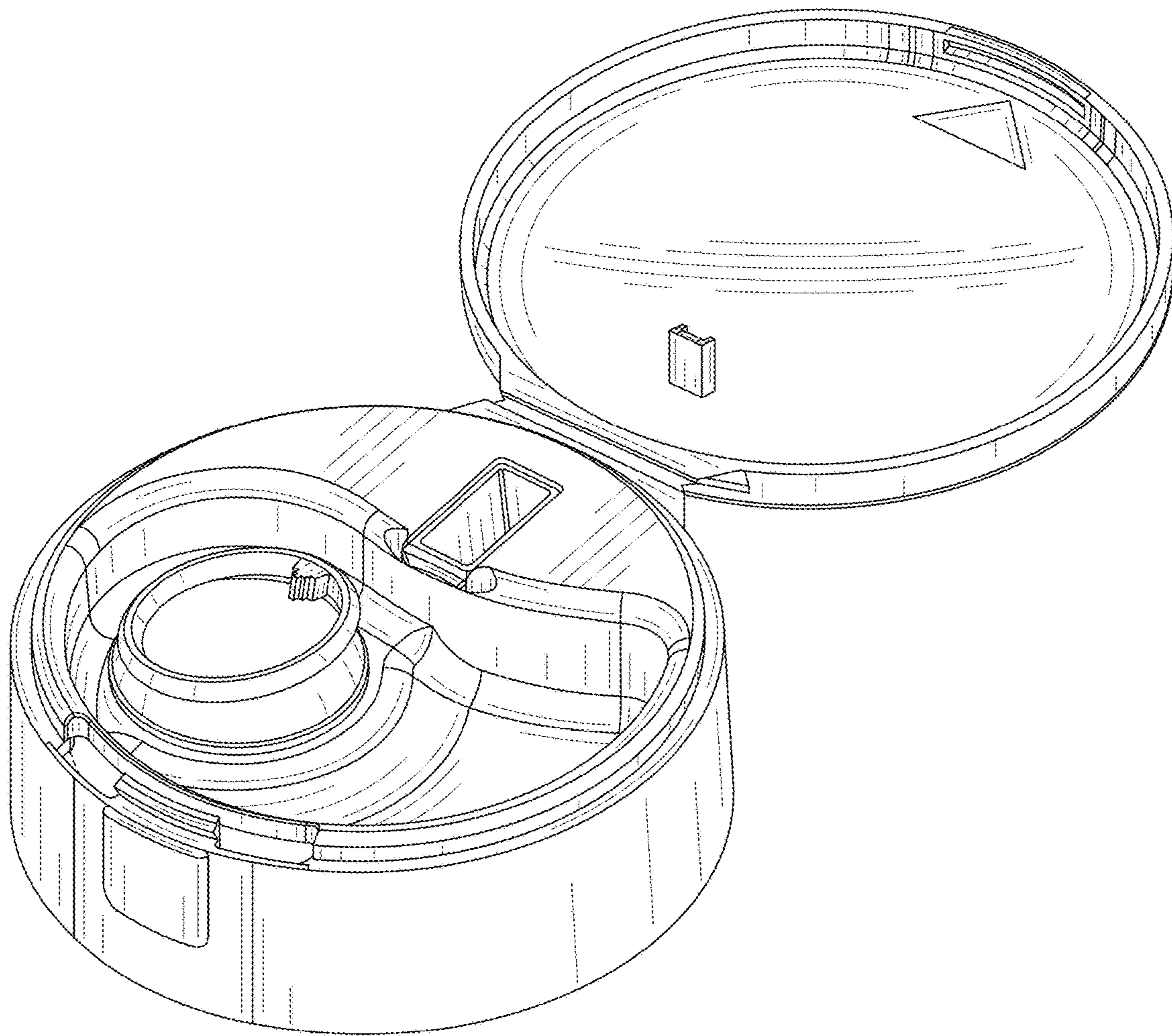


FIG. 1

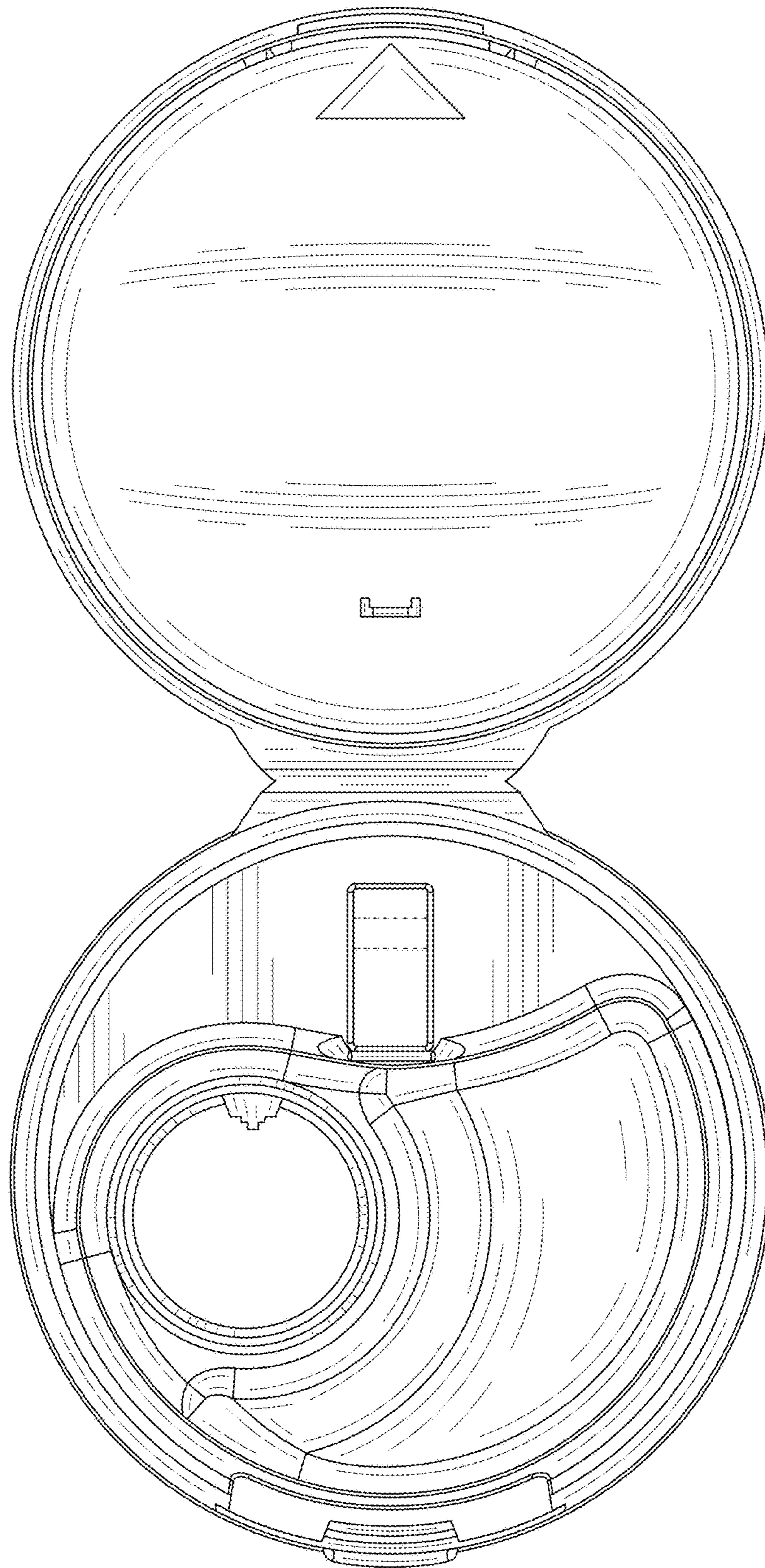


FIG. 2

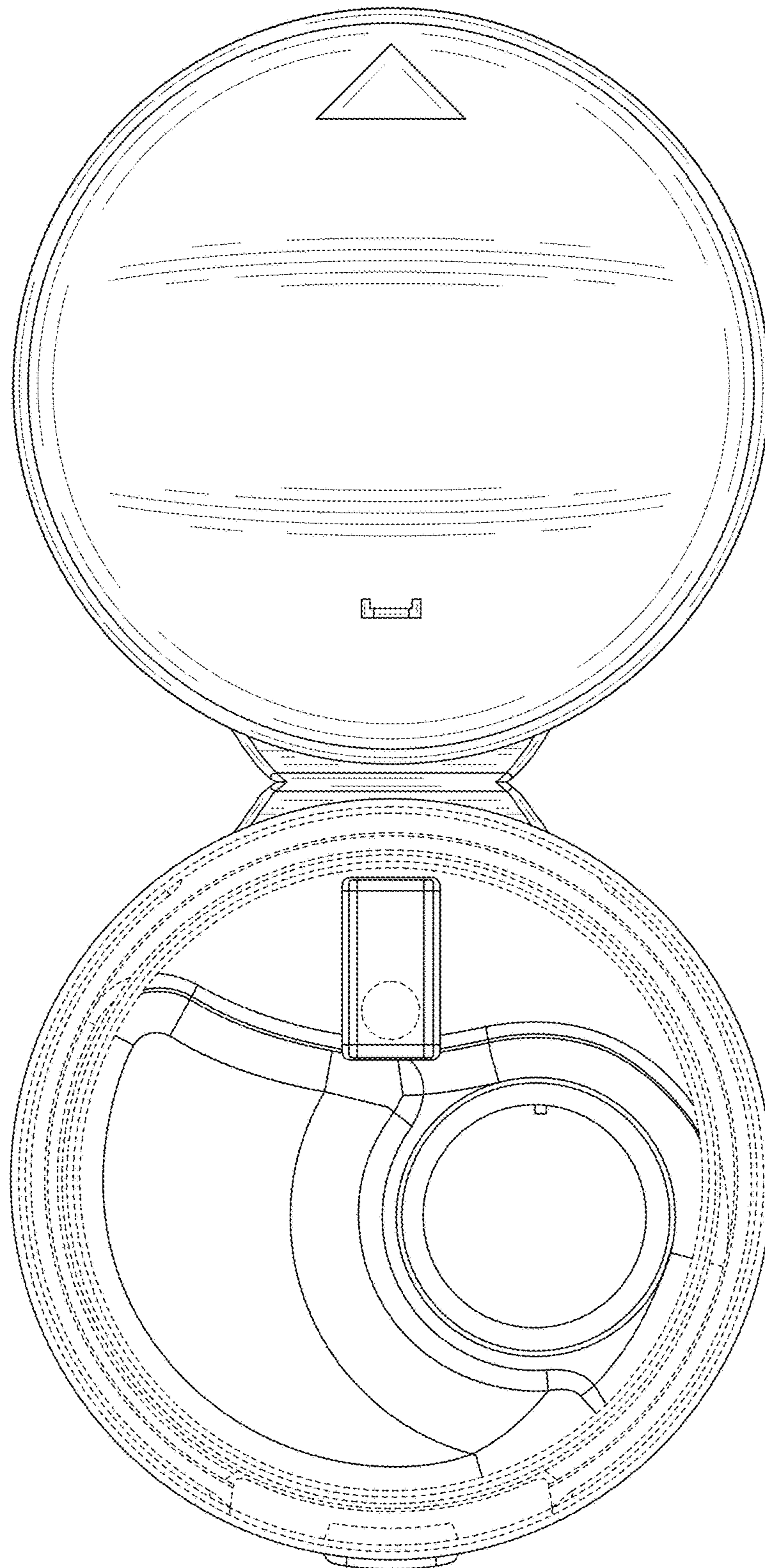


FIG. 3

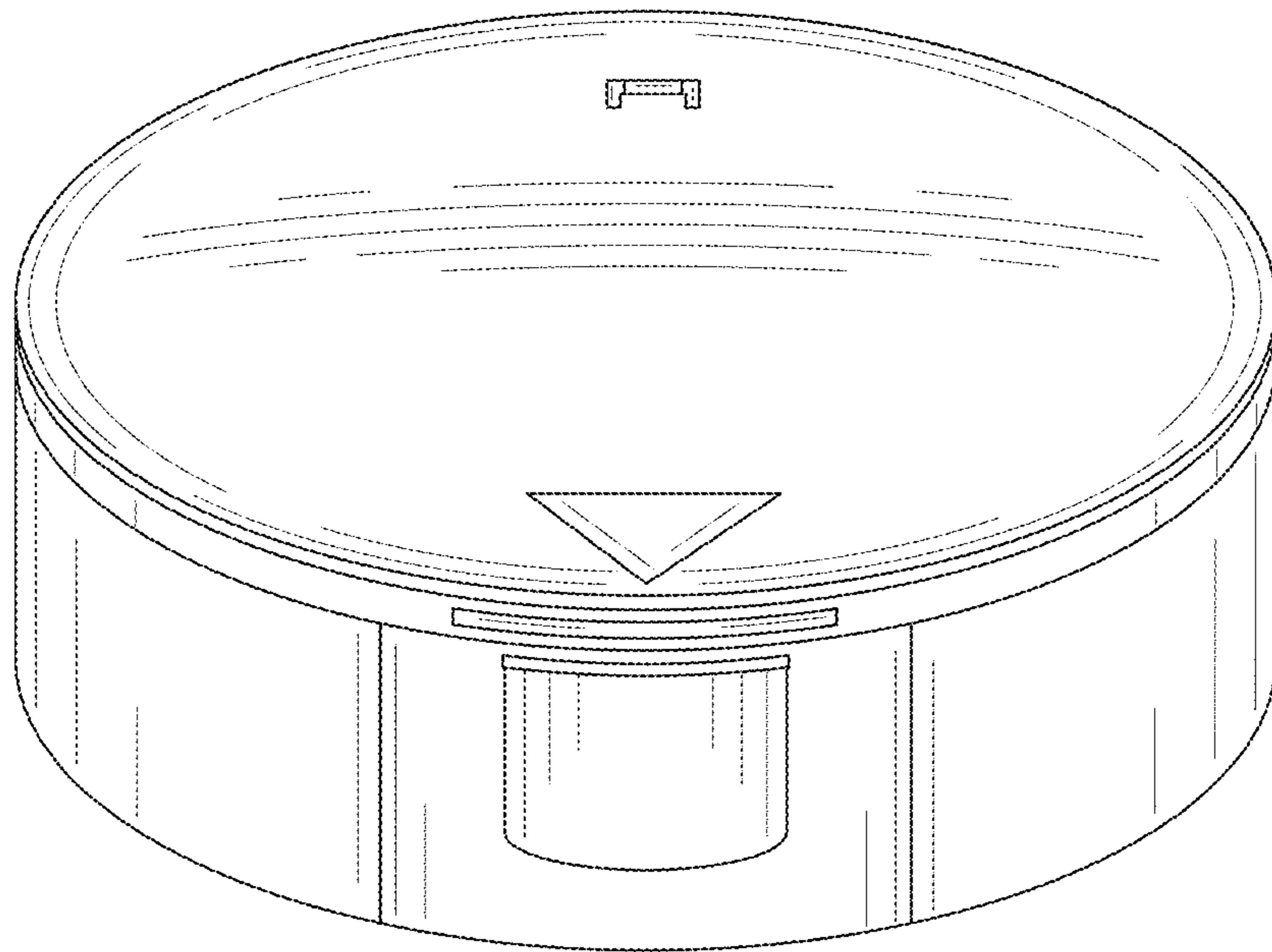


FIG. 4

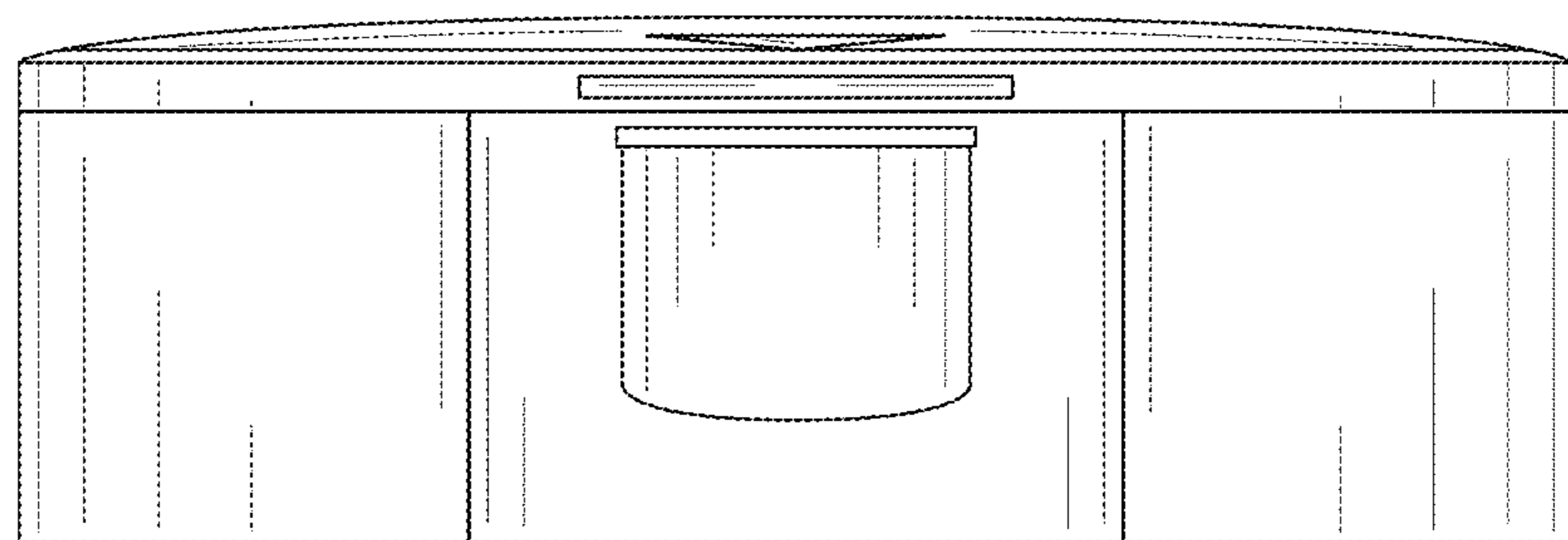


FIG. 5

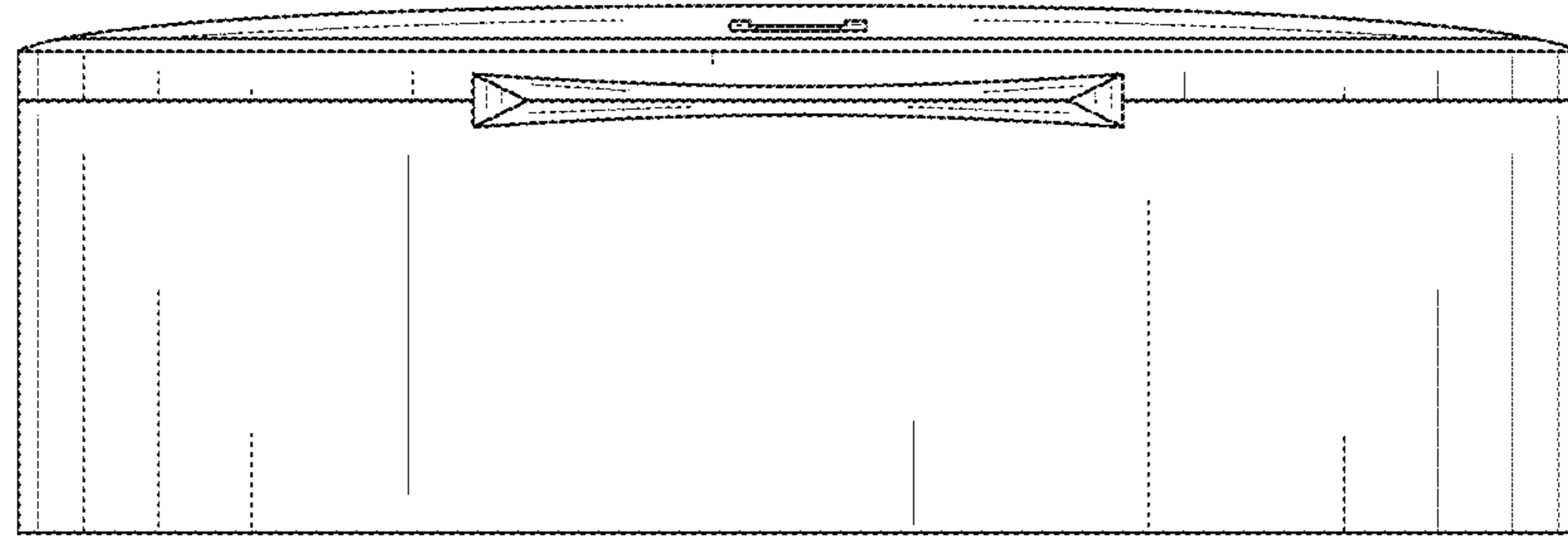


FIG. 6

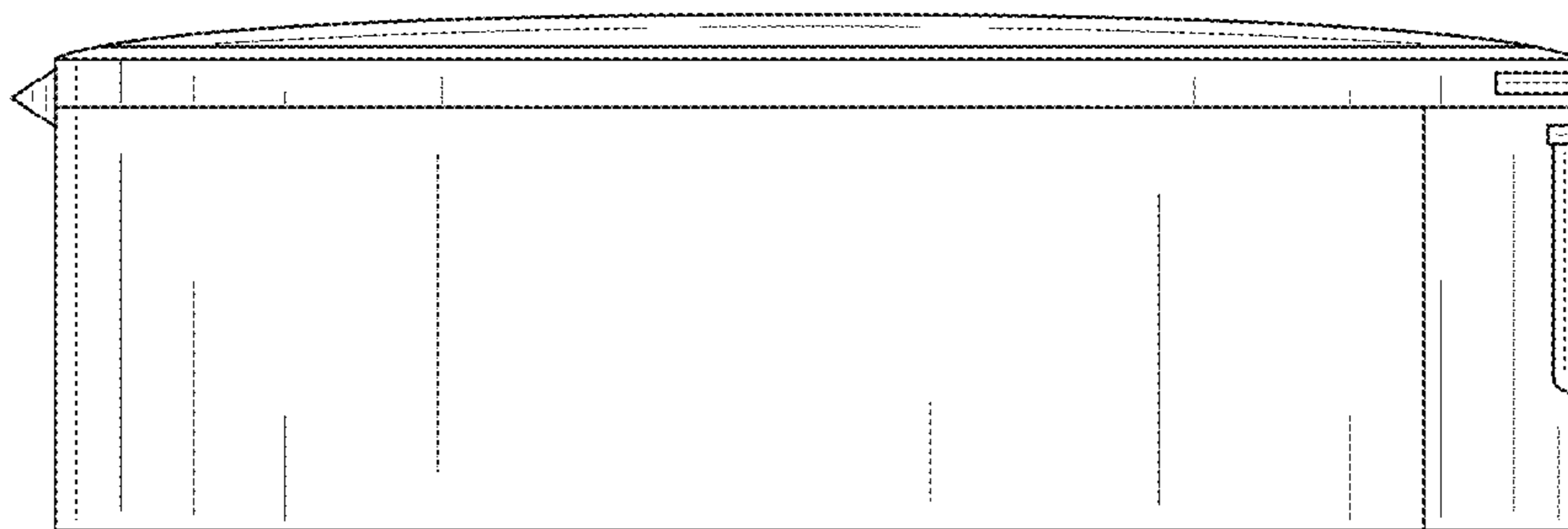


FIG. 7

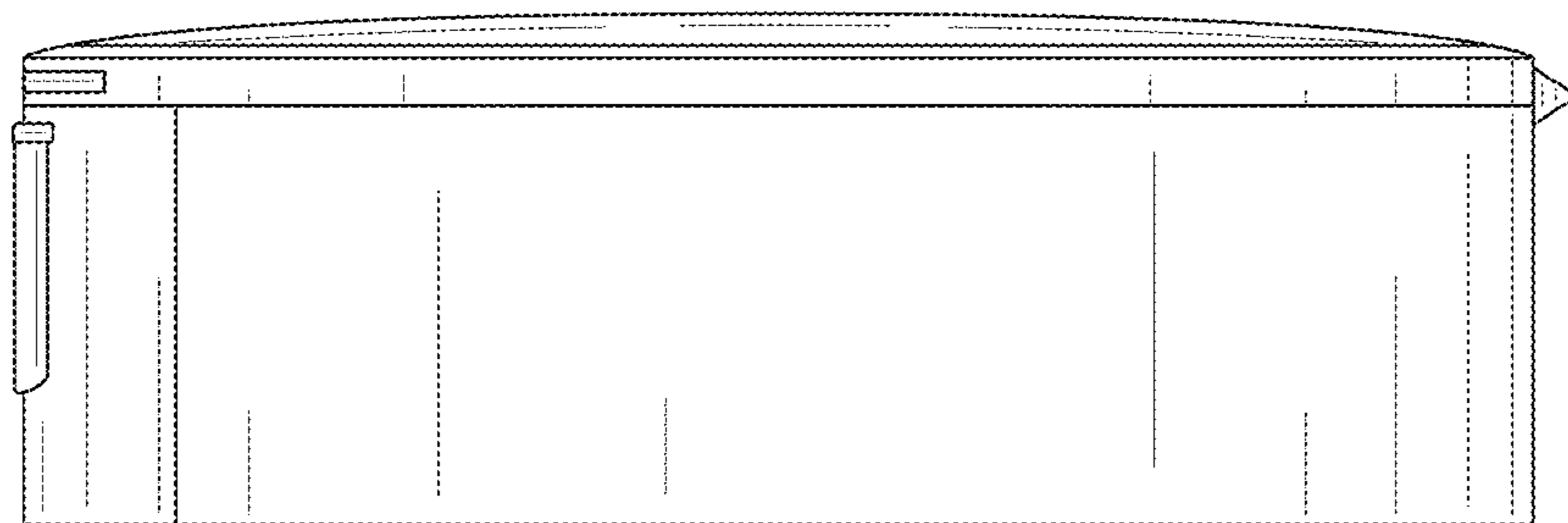


FIG. 8

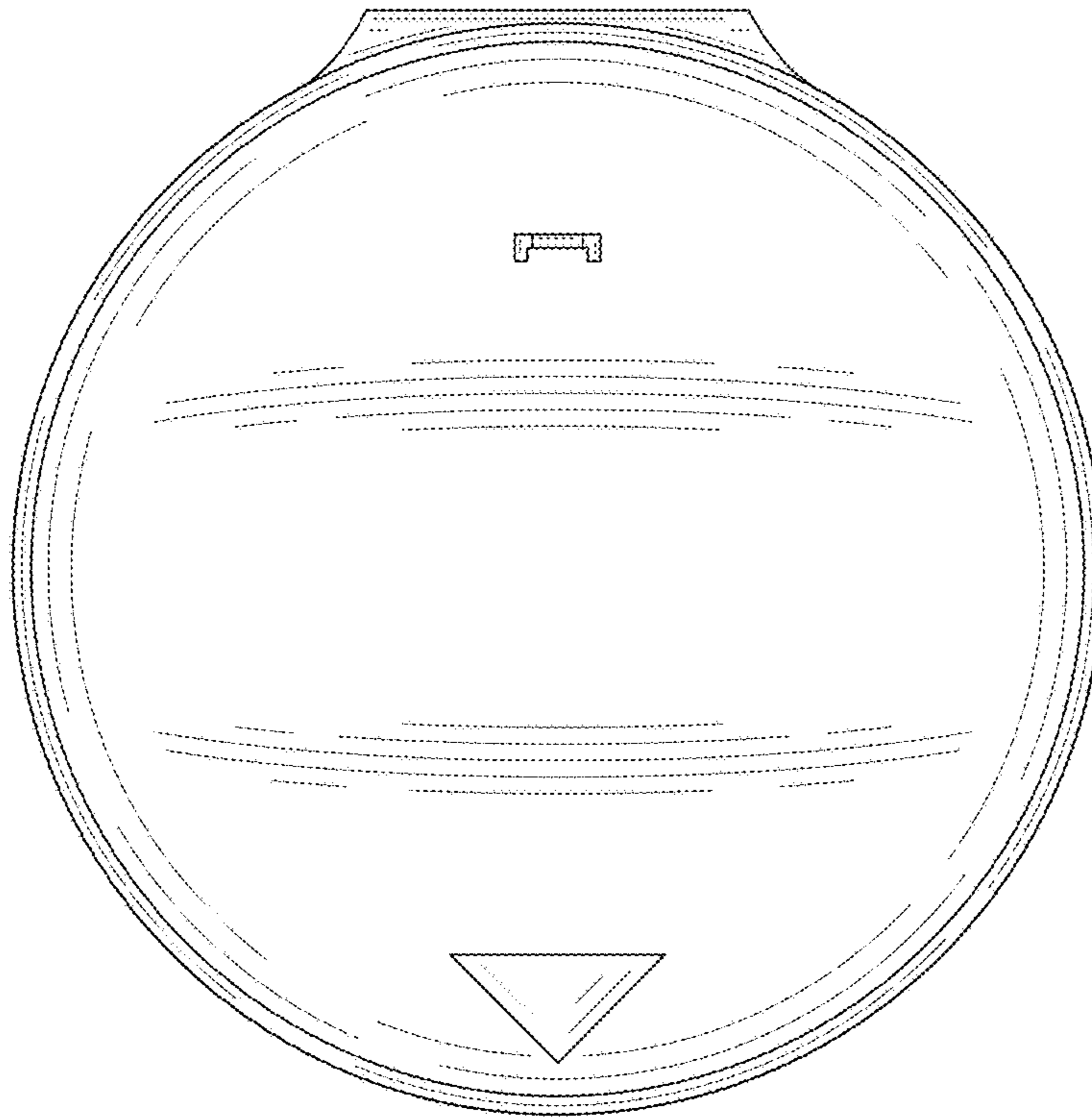


FIG. 9

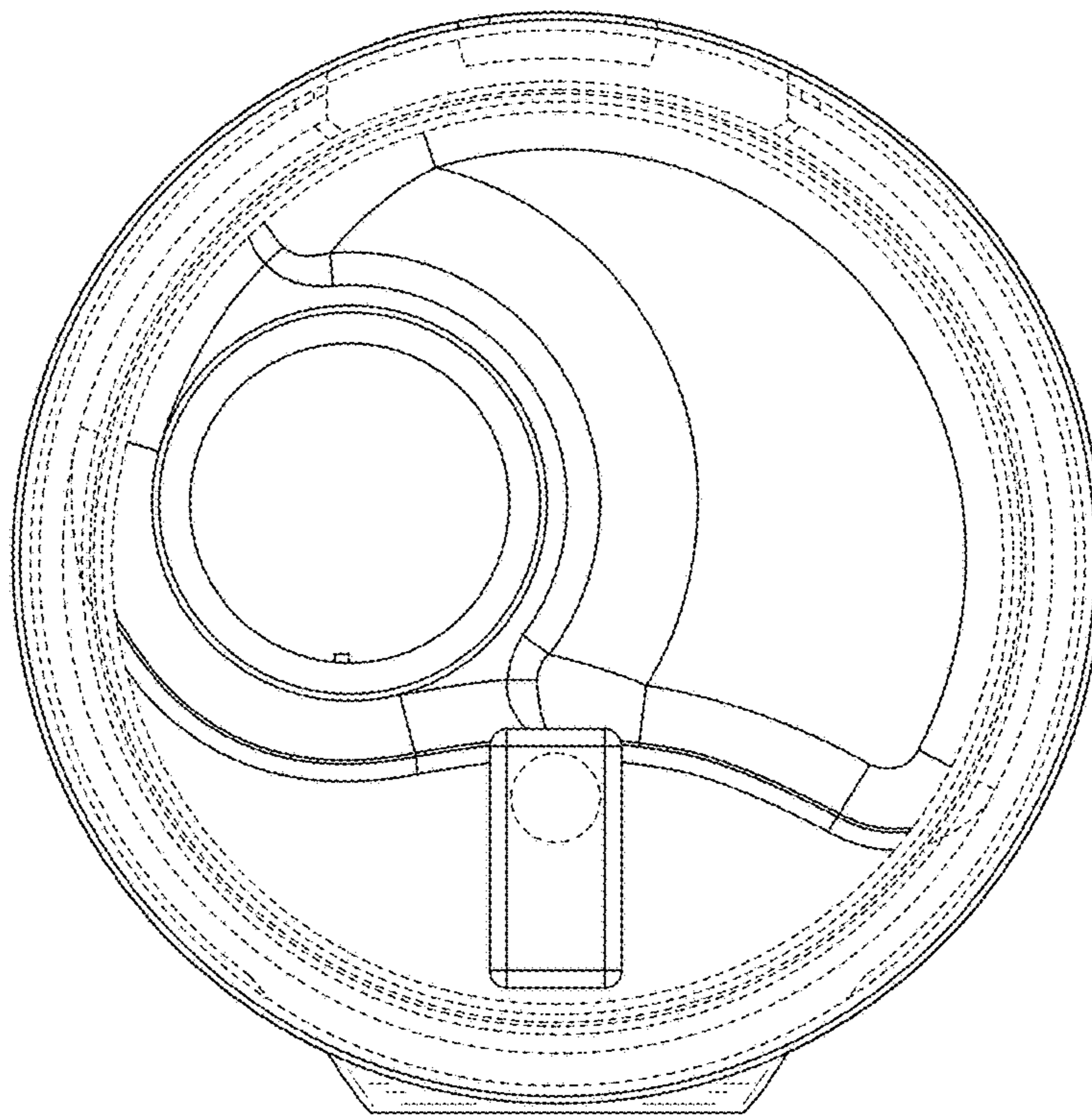


FIG. 10