



US00D782308S

(12) **United States Design Patent**
Khalaf

(10) **Patent No.:** **US D782,308 S**

(45) **Date of Patent:** **** Mar. 28, 2017**

(54) **LID FOR BEVERAGE CONTAINER**

(71) Applicant: **Tariq Khalaf**, Bethesda, MD (US)

(72) Inventor: **Tariq Khalaf**, Bethesda, MD (US)

(**) Term: **15 Years**

(21) Appl. No.: **29/568,662**

(22) Filed: **Jun. 20, 2016**

(51) **LOC (10) Cl.** **09-07**

(52) **U.S. Cl.**
USPC **D9/447**

(58) **Field of Classification Search**

USPC D9/415, 434, 435, 440, 446-450, 452,
D9/453, 454, 455-457, 499; D7/387,
D7/388, 396.2, 396.4, 396.6, 398, 403,
D7/509, 510, 511; D3/202, 203.2, 247,
D3/294, 304, 318; D28/91.1; D8/343,
D8/346, 352, 382, 397, 399
CPC .. A61J 1/00; A61J 1/1412; B65D 1/00; B65D
1/02; B65D 1/10; B65D 1/46; B65D
2585/56; B65D 41/00; B65D 41/56;
B65D 41/62; B65D 47/06; B65D 47/08;
B65D 2543/00046; B65D 2543/00092;
B65D 2543/00296

See application file for complete search history.

(56) **References Cited**

U.S. PATENT DOCUMENTS

4,319,692 A * 3/1982 Gundlach B65D 17/161
220/268
4,589,569 A 5/1986 Clements
4,619,372 A 10/1986 McFarland
4,767,019 A 8/1988 Horner
D402,556 S * 12/1998 Frye D9/447

(Continued)

Primary Examiner — Karen S Acker

Assistant Examiner — Wendy Arminio

(74) *Attorney, Agent, or Firm* — Miles & Stockbridge
P.C.

(57) **CLAIM**

The ornamental design for a lid for beverage container, as shown and described.

DESCRIPTION

FIG. 1 is a top plan view of the lid for beverage container according to the present invention.

FIG. 2 is a side-perspective view of the lid for beverage container illustrating a first of two drink outlets according to the present invention.

FIG. 3 is side-perspective view of the lid for beverage container illustrating a second of the two drink outlets according to the present invention.

FIG. 4 is another side-perspective view of the lid for beverage container illustrating the first of the two drink outlets according to the present invention.

FIG. 5 is another side-perspective view of the lid for beverage container illustrating the second of the two drink outlets according to the present invention.

FIG. 6 is a cross-sectional view of the lid for beverage container along line 6-6 of FIG. 1 according to the present invention.

FIG. 7 is a cross-sectional view of the lid for beverage container along line 7-7 of FIG. 1 according to the present invention.

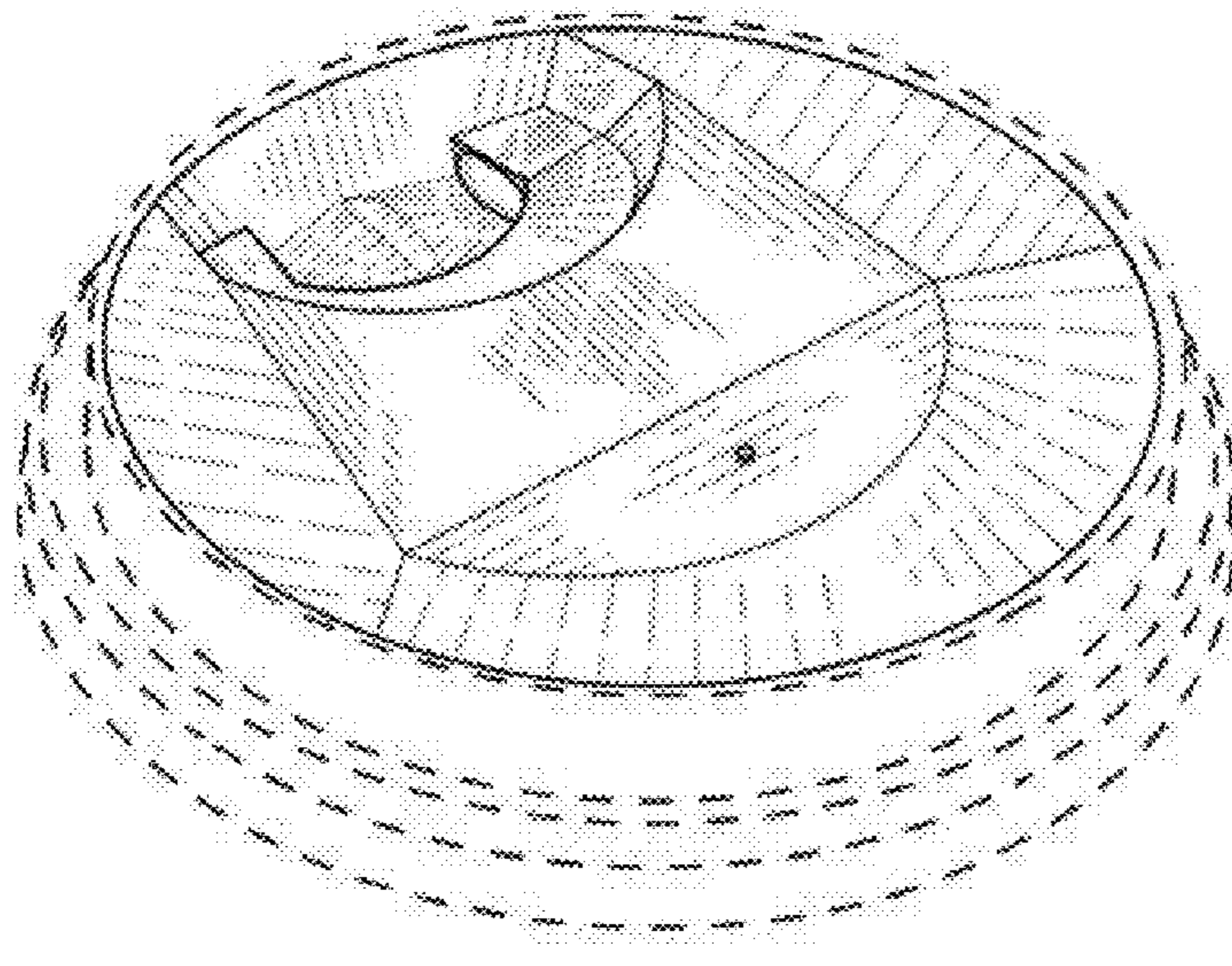
FIG. 8 is a cross-sectional view of the lid for beverage container along line 8-8 of FIG. 1 according to the present invention.

FIG. 9 is a side view of the lid for beverage container according to the present invention; and,

FIG. 10 is a bottom plan view of the lid for beverage container according to the invention.

The broken lines in the drawings depict portions of the lid for beverage container that form no part of the claimed design.

1 Claim, 5 Drawing Sheets



(56)

References Cited

U.S. PATENT DOCUMENTS

6,176,390	B1	1/2001	Kemp	
6,431,390	B1	8/2002	Waller	
6,533,139	B2	3/2003	Lukacevic	
D485,759	S *	1/2004	Janky	D7/392.1
6,991,128	B1	1/2006	Russo et al.	
7,063,224	B2	6/2006	Clarke et al.	
D695,612	S *	12/2013	Chou	D9/447
D704,054	S	5/2014	Fleming	
D704,055	S *	5/2014	Fleming	D9/447
D709,366	S *	7/2014	Fleming	D9/435
D722,498	S *	2/2015	Fleming	D9/447
D722,873	S *	2/2015	Wu	D9/447
8,950,623	B2	2/2015	Fleming	
D752,436	S *	3/2016	Crudgington	D9/434
2008/0041862	A1	2/2008	Bal	
2008/0245792	A1 *	10/2008	Chou	B65D 47/0847 220/254.3
2010/0133272	A1	6/2010	Whitaker et al.	
2014/0042178	A1	2/2014	Brannock	
2014/0319138	A1 *	10/2014	Polt	B65D 43/065 220/254.3
2015/0191282	A1 *	7/2015	Crudgington	B29D 99/0096 220/254.7
2015/0251818	A1 *	9/2015	Strachan	B65D 43/0208 220/254.8

* cited by examiner

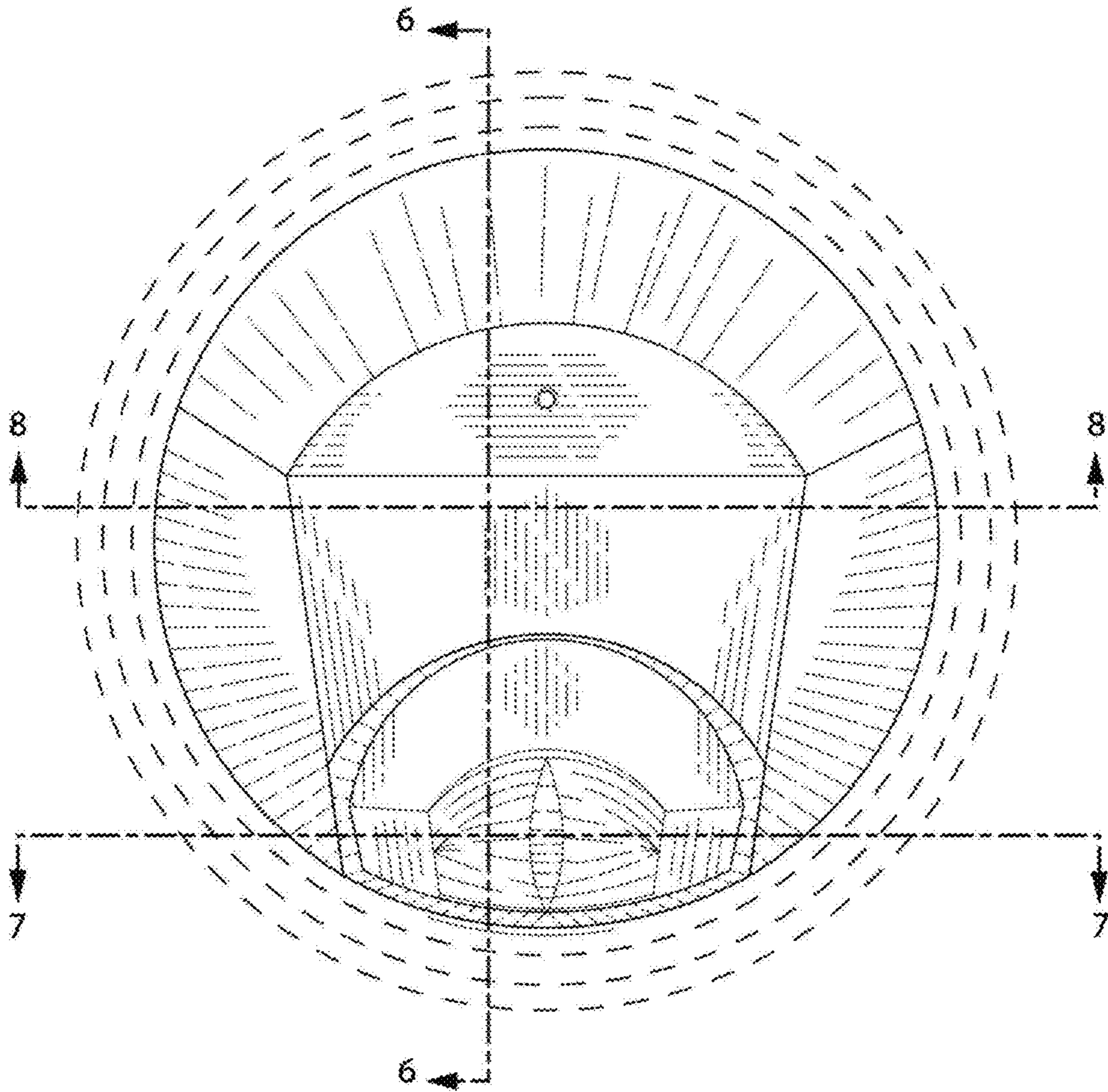


FIG. 1

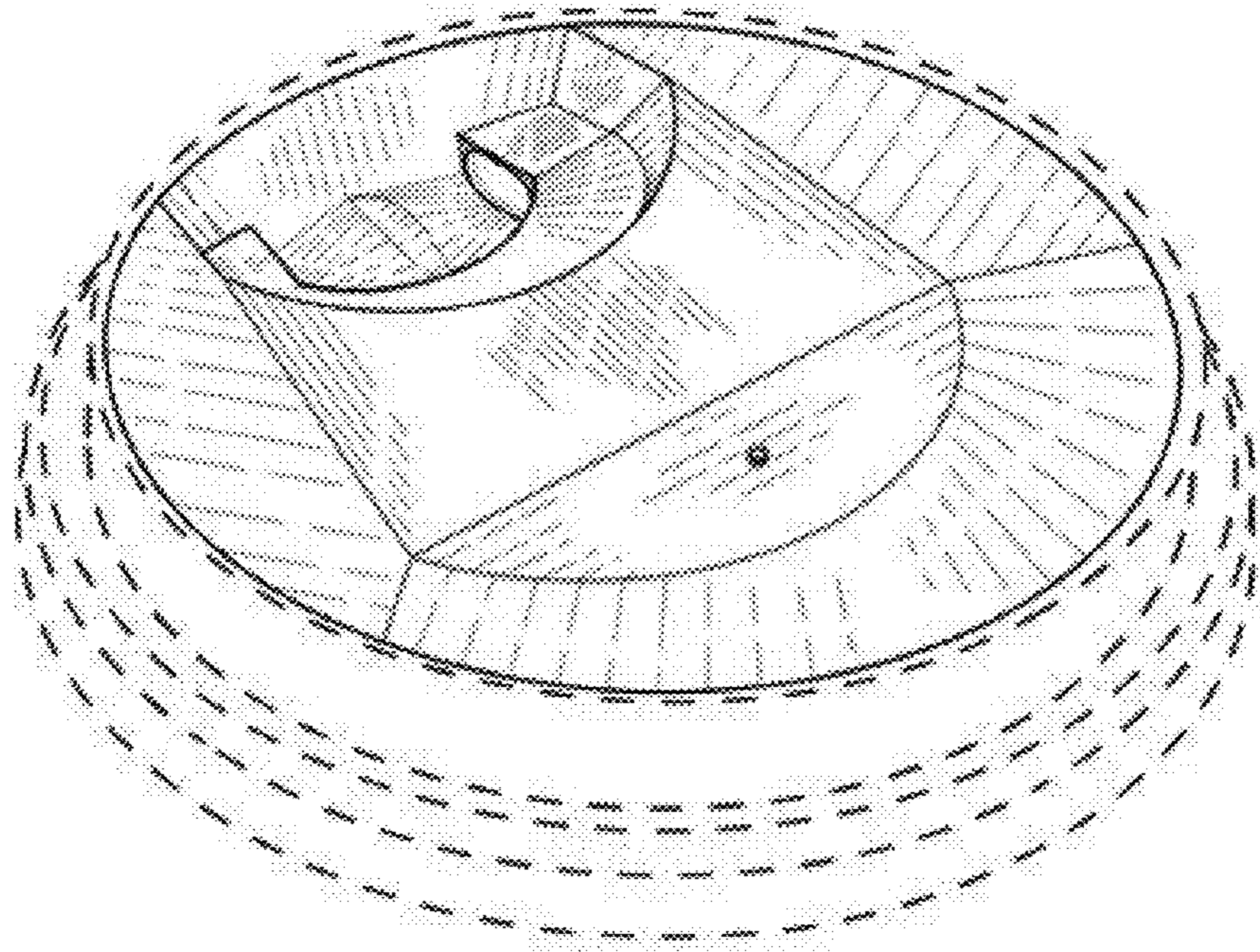


FIG. 2

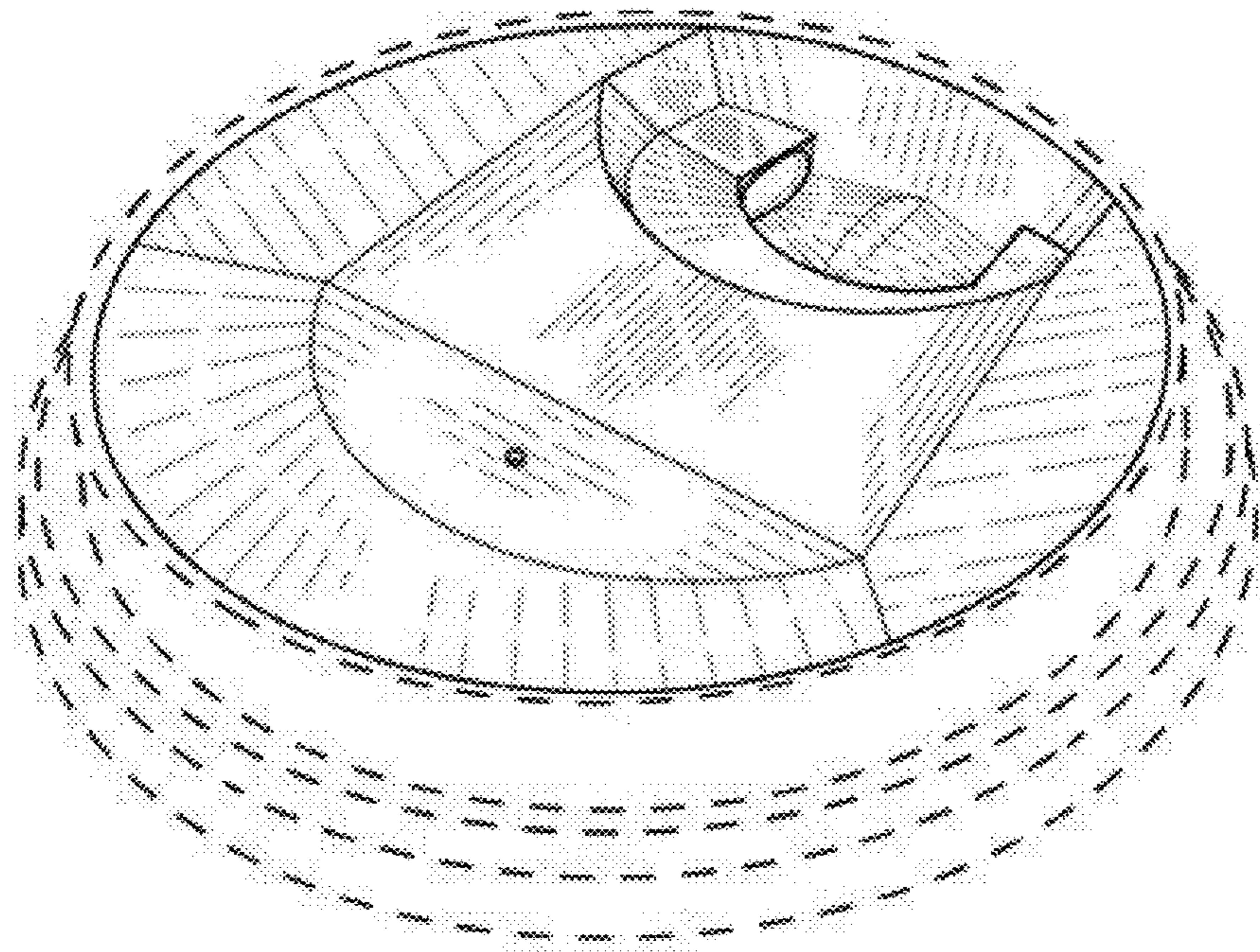


FIG. 3

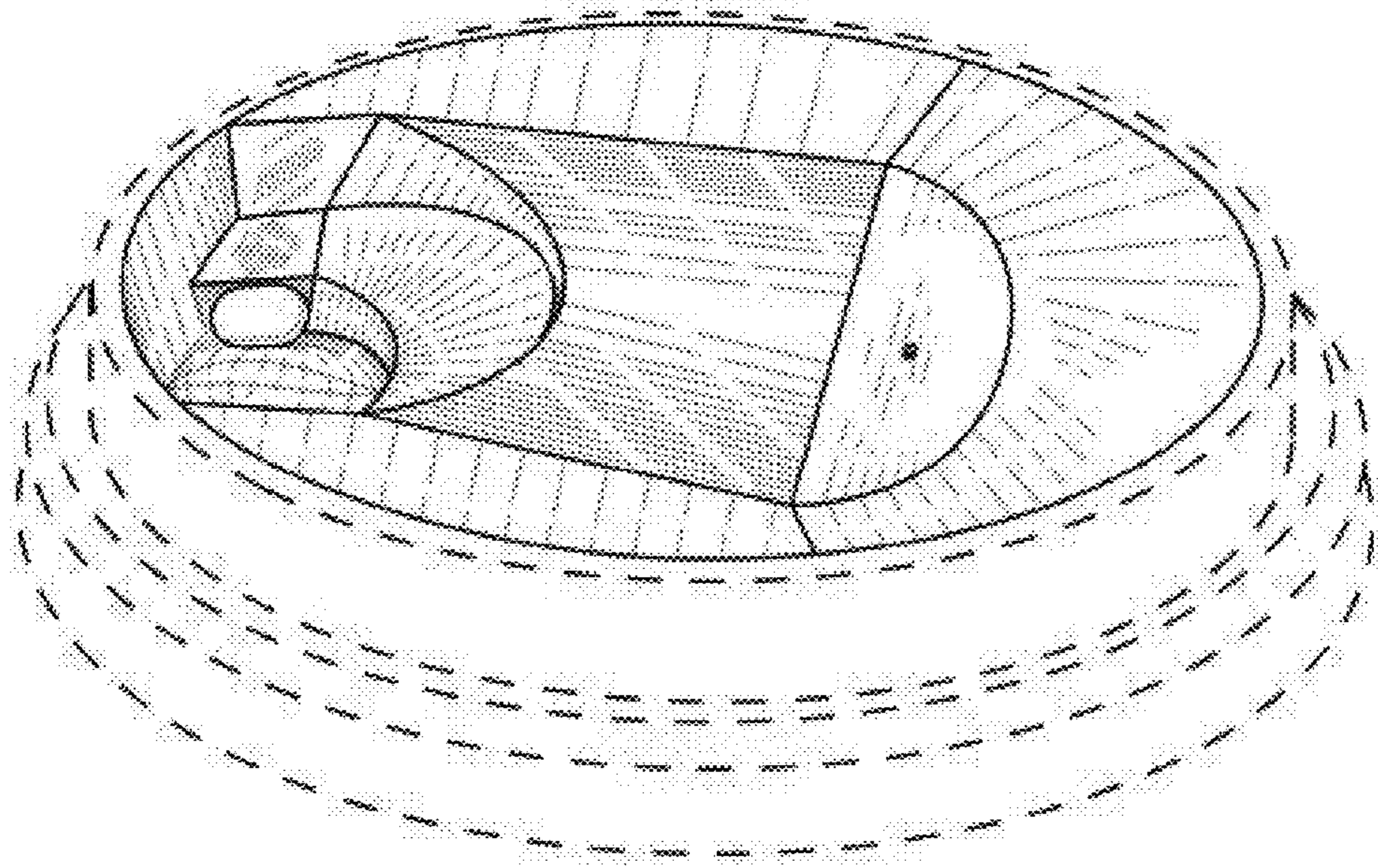


FIG. 4

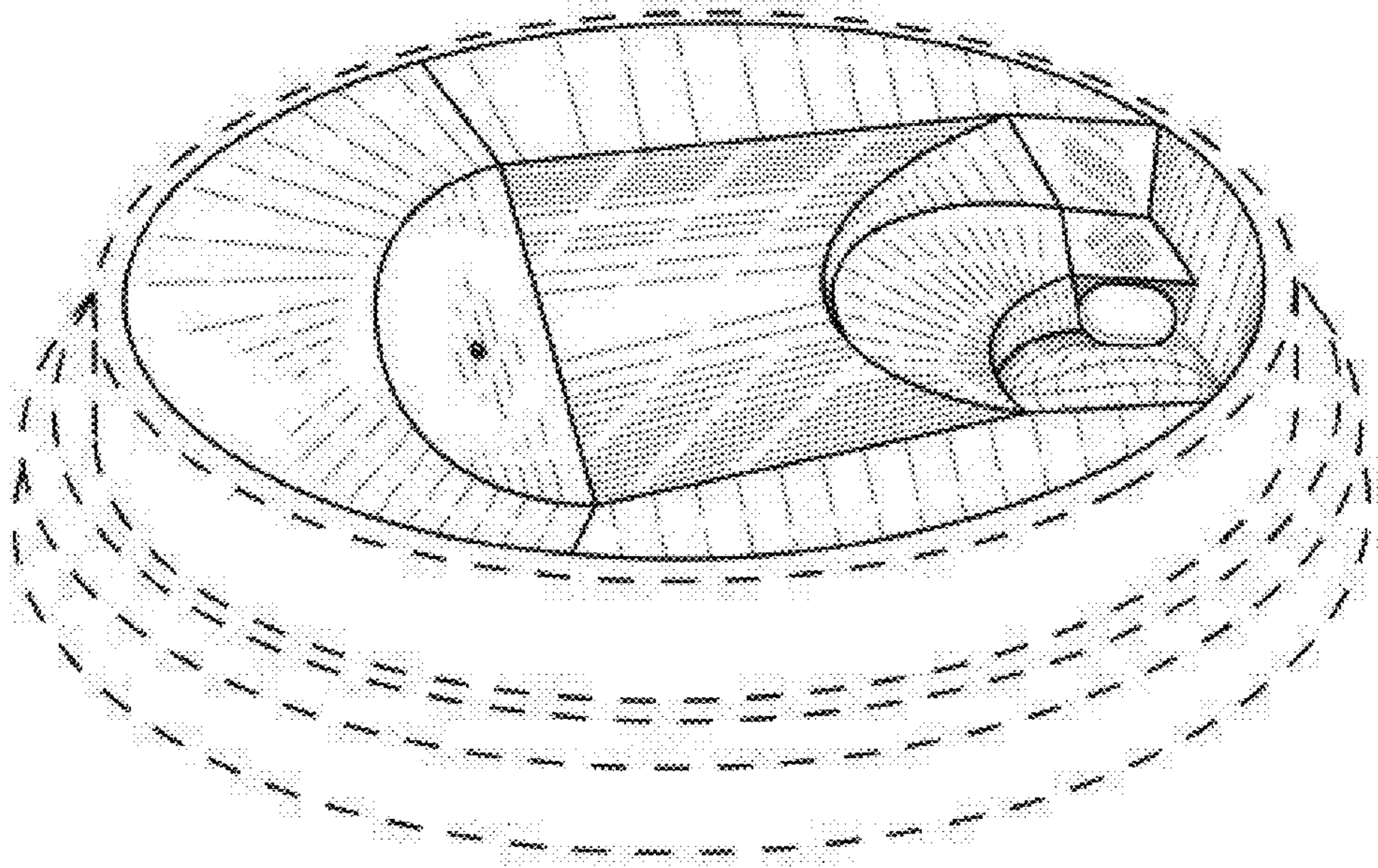


FIG. 5

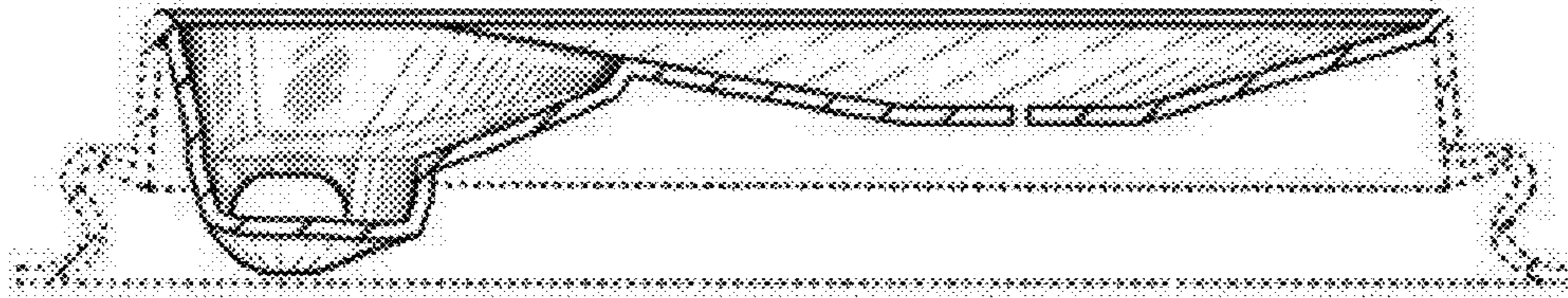


FIG. 6

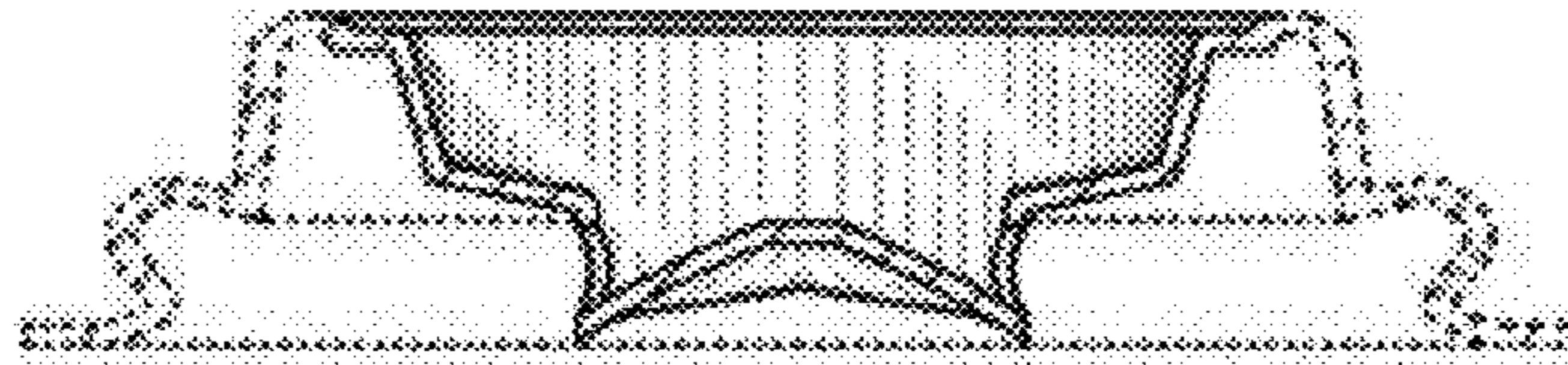


FIG. 7

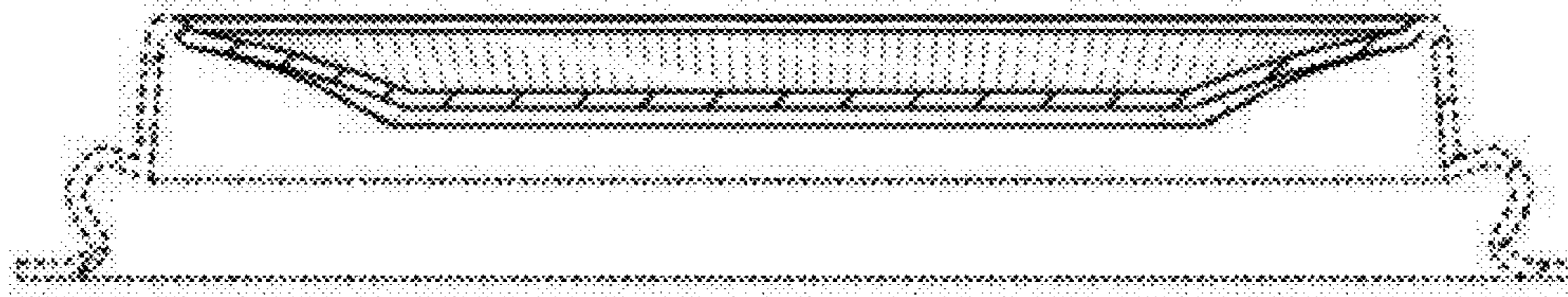


FIG. 8

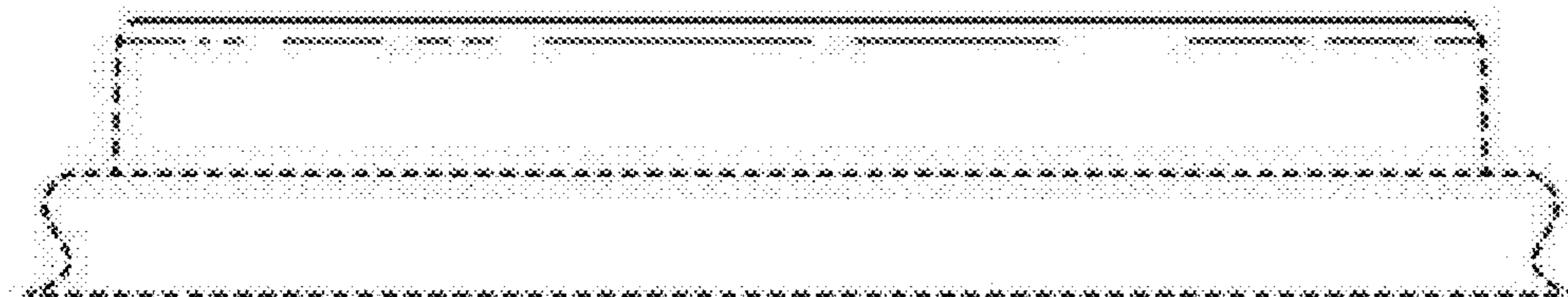


FIG. 9

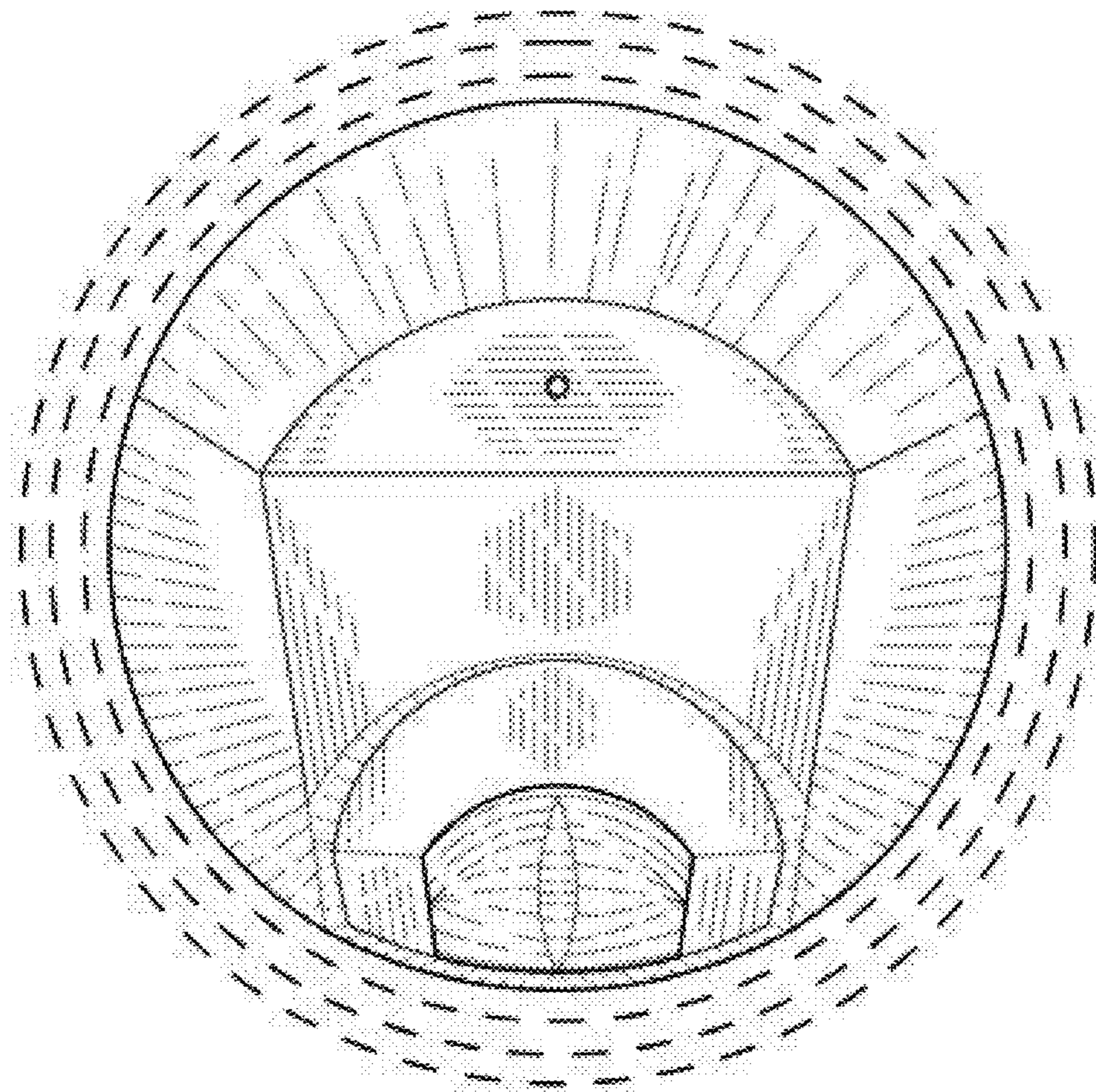


FIG. 10