



US00D782307S

(12) **United States Design Patent**
Kurmlavage

(10) **Patent No.:** **US D782,307 S**

(45) **Date of Patent:** **** Mar. 28, 2017**

(54) **FOOD PAN COLLAR**

D738,719 S * 9/2015 Breton D9/425
D742,737 S * 11/2015 Huang D9/425
D745,826 S * 12/2015 De Tavares Duarte
Nogueira D9/443

(71) Applicant: **Spirit Specialty Solutions, Inc.**,
Broomall, PA (US)

(72) Inventor: **Michael M. Kurmlavage**, Monroeville,
NJ (US)

(73) Assignee: **Spirit Specialty Solutions, Inc.**,
Broomall, PA (US)

(**) Term: **14 Years**

(21) Appl. No.: **29/505,006**

(22) Filed: **Apr. 17, 2015**

(51) **LOC (10) Cl.** **09-07**

(52) **U.S. Cl.**
USPC **D9/443**

(58) **Field of Classification Search**
USPC D7/354, 550.1, 554.2, 554.3, 554.4, 566;
D9/414, 418, 425, 428, 430, 432, 433,
D9/434, 435, 443, 444, 445, 456;
206/508; 220/287, 796
CPC B65D 2543/00083; B65D 53/02; B65D 1/34;
B65D 1/42

See application file for complete search history.

(56) **References Cited**

U.S. PATENT DOCUMENTS

D358,328 S * 5/1995 Huerto D9/435
D483,664 S * 12/2003 Cadiente D9/418
D500,227 S * 12/2004 Seok D7/392.1
D543,412 S * 5/2007 Munson D7/354
D653,496 S * 2/2012 Henry D7/354
D654,301 S * 2/2012 Bradley D7/354
D660,093 S * 5/2012 Kyung D7/629
D662,817 S * 7/2012 Andres D9/449
D662,818 S * 7/2012 Andres D9/449
D704,503 S * 5/2014 Manley D7/391
D708,913 S * 7/2014 Ng D7/629

OTHER PUBLICATIONS

Spirit Specialty Solutions, Inc. PANRINGCW6 ID Graphic for 6th size food pans. May 15, 2010 [earliest online date], [site visited Jul. 19, 2016]. Available from Internet, URL:<<http://www.wienerminder.com/product-p/panringcw6.htm>>.*
Food network. Silikomart Flexible Bakeware Square Pan. 2016 [earliest online date], [site visited Jul. 25, 2016]. Available from Internet, URL:<<http://www.foodnetworkstore.com/detail.php?p=636734>>.*
Macys. Martha Stewart Collection. Jul. 2, 2016 [earliest online date], [site visited Jul. 27, 2016]. Available from Internet, <URL:http://www1.macys.com/shop/product/martha-stewart-collection-11-cup-glass-food-storage-container-only-at-macys?ID=2314837&PartnerID=LINKSHARE&cm_mmc=LINKSHARE-_-47-_-85-_-MP4785&LinkshareID=p.E2XVDQFnl-qHiMbe4LxhAApMIVTnAGmA>.*

* cited by examiner

Primary Examiner — Robert M Spear
Assistant Examiner — Darcey E Hefflin
(74) *Attorney, Agent, or Firm* — Robert B. Famiglio;
Famiglio & Associates

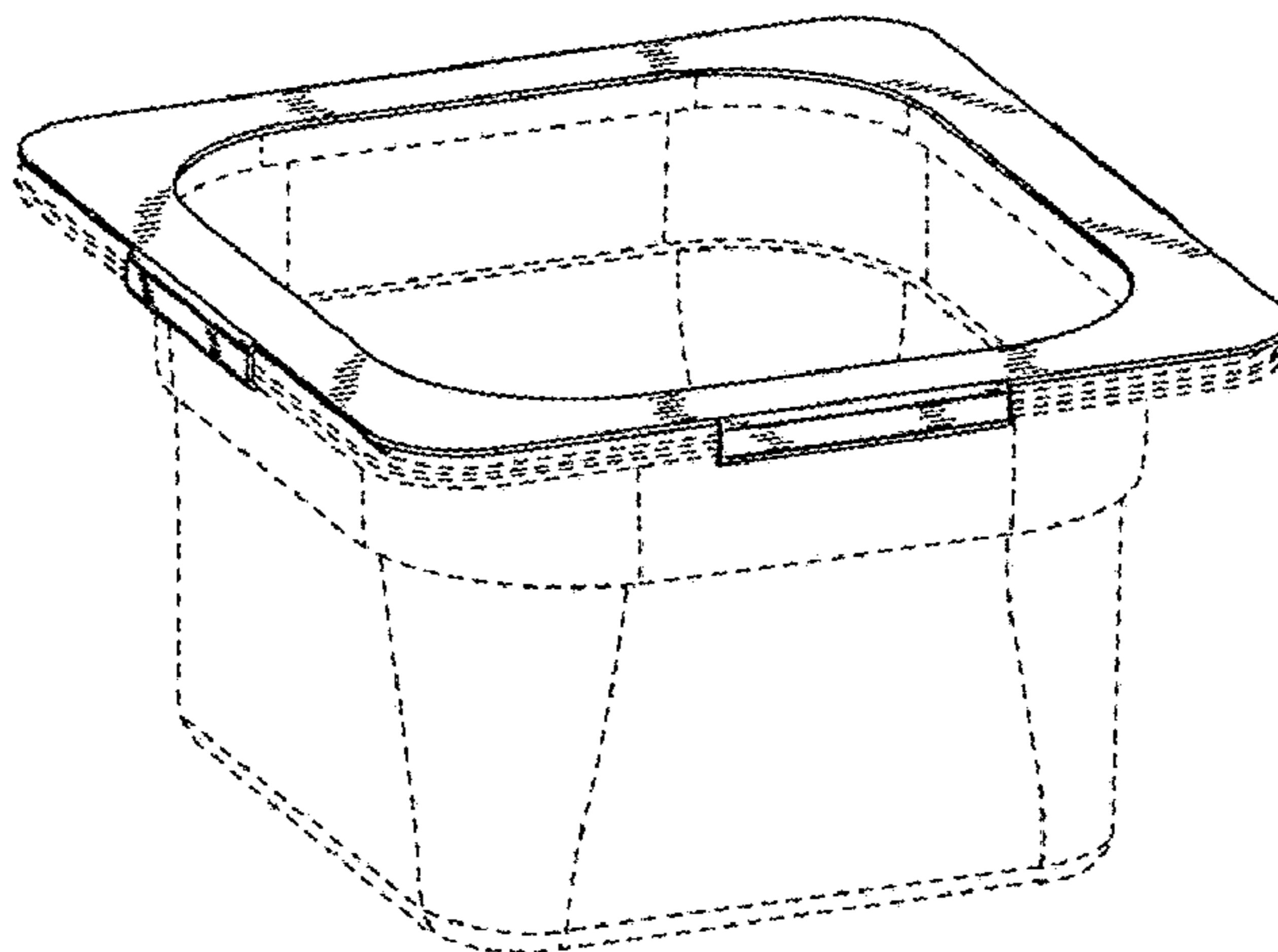
(57) **CLAIM**

The ornamental design for a food pan collar, as shown and described.

DESCRIPTION

FIG. 1 is a top view of the food pan collar.
FIG. 2 is a bottom view of the food pan collar.
FIG. 3 is a side elevational view thereof, all four edge views being identical; and,
FIG. 4 is a perspective view of the food pan collar in place on a container.
In the drawings, the broken line showing of a container depicts environment and forms no part of the claim.

1 Claim, 2 Drawing Sheets



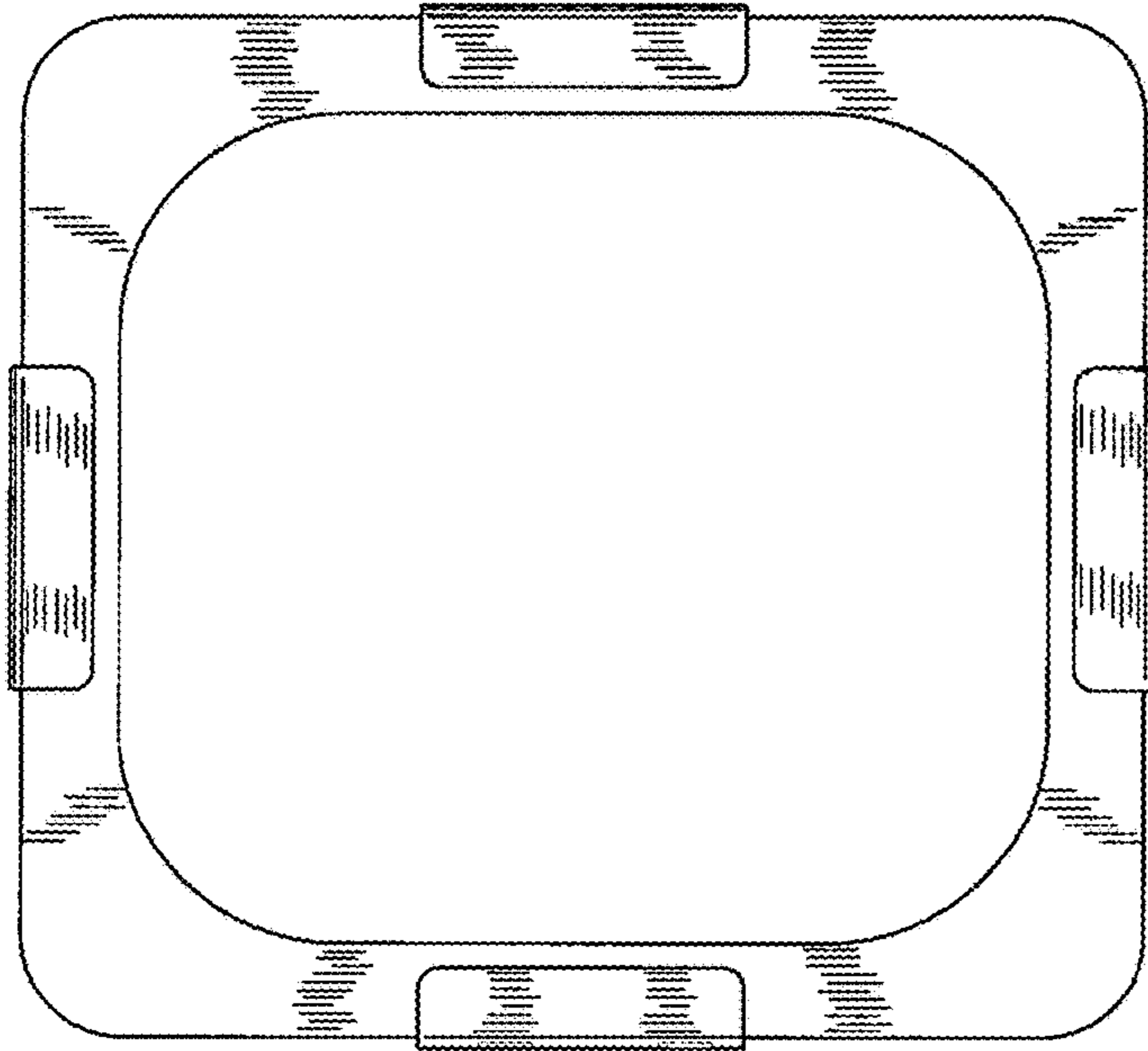


FIGURE 1

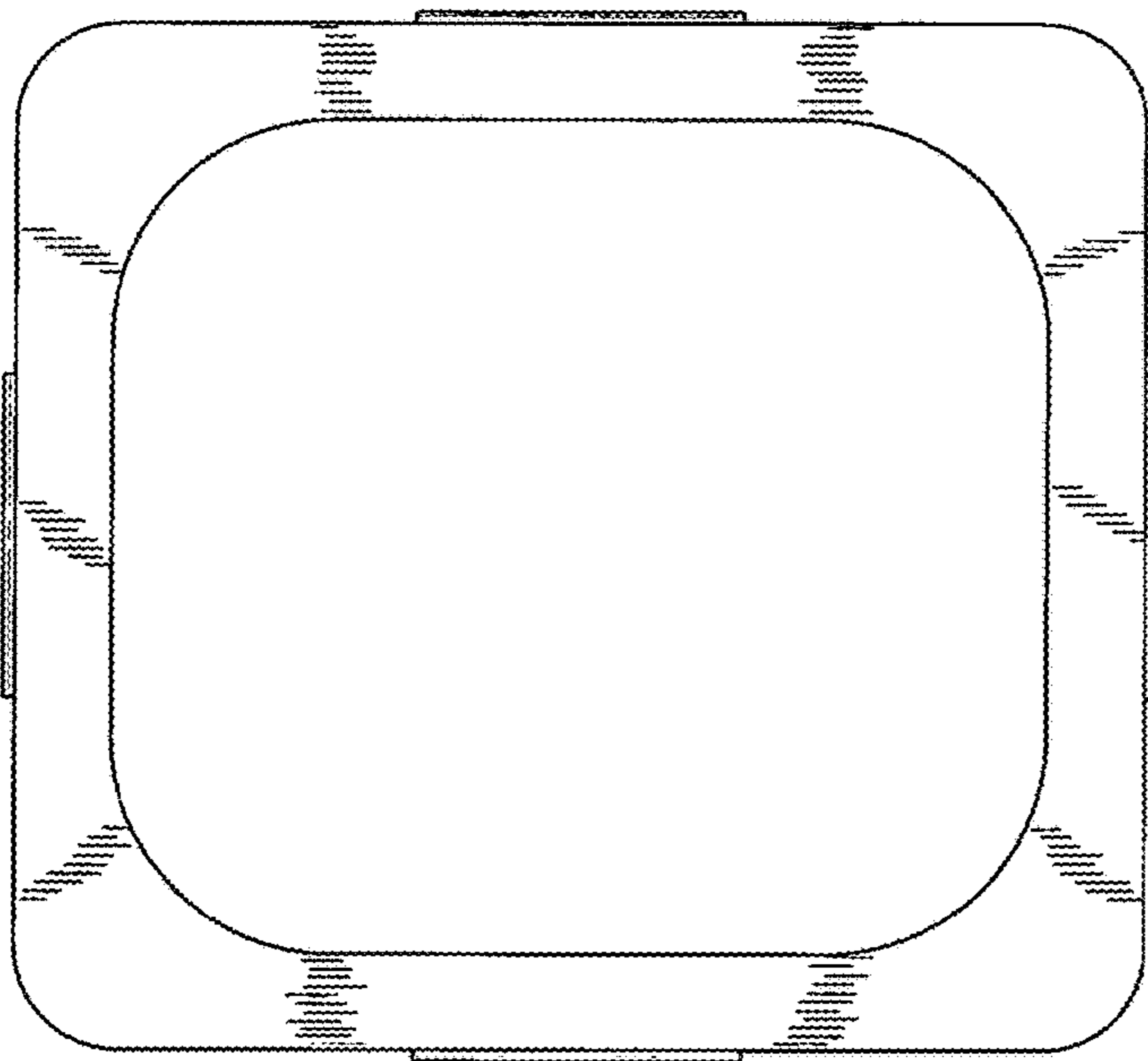


FIGURE 2

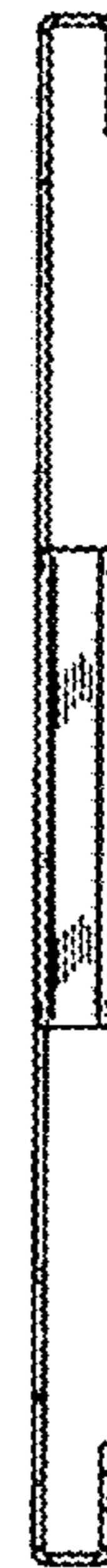


FIGURE 3

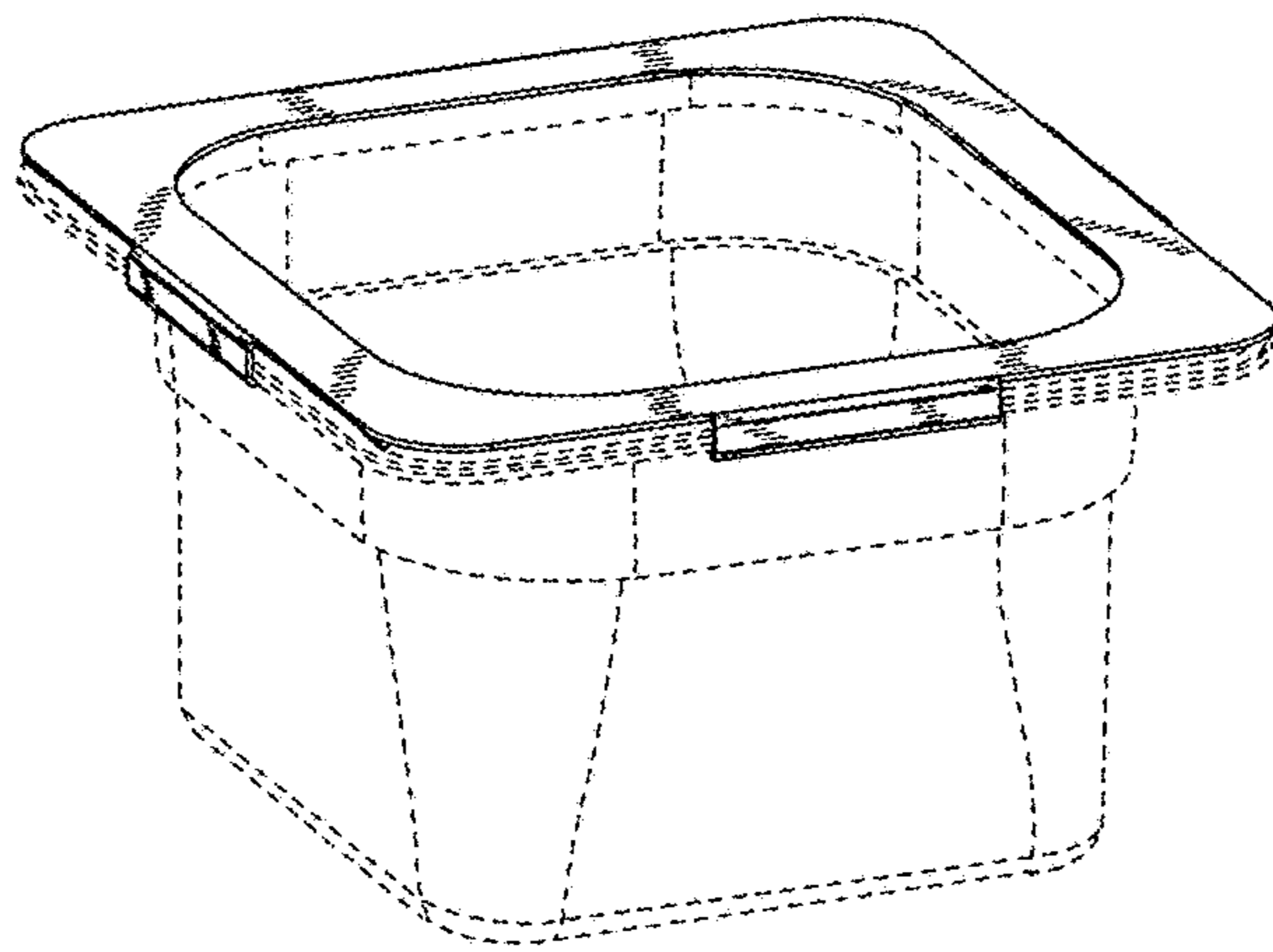


FIGURE 4