



US00D782306S

(12) **United States Design Patent**
Chang

(10) **Patent No.:** **US D782,306 S**

(45) **Date of Patent:** **** *Mar. 28, 2017**

(54) **SEALING BAR**

(71) Applicant: **Chialin Chang**, Dongguan (CN)

(72) Inventor: **Chialin Chang**, Dongguan (CN)

(*) Notice: This patent is subject to a terminal disclaimer.

(**) Term: **14 Years**

(21) Appl. No.: **29/482,698**

(22) Filed: **Feb. 21, 2014**

(51) **LOC (10) Cl.** **09-07**

(52) **U.S. Cl.**
USPC **D9/443**

(58) **Field of Classification Search**
USPC D7/387, 395, 632; D8/81, 343, 394;
D9/419, 424, 434, 435, 436, 437, 443,
D9/449, 455, 456, 499, 707; D32/45;
24/30.5 R, 462; 383/13, 22, 63-65, 68
CPC Y10T 24/15
See application file for complete search history.

(56) **References Cited**

U.S. PATENT DOCUMENTS

D276,596 S	*	12/1984	Kisha	D9/435
D301,548 S	*	6/1989	Weaver	D9/434
4,887,335 A	*	12/1989	Folkmar	24/30.5 R
D331,364 S	*	12/1992	Barker et al.	D9/434
D372,674 S	*	8/1996	Weber et al.	D9/443
D375,045 S	*	10/1996	Weber et al.	D9/443
D400,439 S	*	11/1998	Dawson	D9/434
D424,909 S	*	5/2000	Noblet et al.	D8/343
D564,352 S	*	3/2008	Rice	D9/434
D584,465 S	*	1/2009	Zach et al.	D32/45

D606,860 S	*	12/2009	Hill	D9/434
D642,913 S	*	8/2011	Osborn et al.	D9/435
D657,667 S	*	4/2012	Wang	D9/434
D657,668 S	*	4/2012	Wang	D9/434
2011/0225775 A1	*	9/2011	Miwa	24/30.5 R
2011/0302745 A1	*	12/2011	Kirschbaum	24/30.5 R

OTHER PUBLICATIONS

Webstaurant Store. Replacement Seal Bar for Vacmaster. 2015 [online], [site visited Feb. 2, 2015]. Available from Internet, <URL:http://www.webstaurantstore.com/ary-vacmaster-979321-17-replacement-seal-bar-for-vacmaster-vp321-chamber-vacuum-packaging-machine/120979321.html>.*

* cited by examiner

Primary Examiner — Robert M Spear
Assistant Examiner — Darcey E Heflin

(74) *Attorney, Agent, or Firm* — George G. Wang; Bei & Ocean

(57) **CLAIM**

The ornamental design for a sealing bar, as shown and described.

DESCRIPTION

FIG. 1 is a top perspective view of a sealing bar.
FIG. 2 is bottom perspective view of the sealing bar.
FIG. 3 is a bottom view of the sealing bar.
FIG. 4 is a top view of the sealing bar.
FIG. 5 is a side view of the sealing bar.
FIG. 6 is an enlarged detail view of a top portion of the sealing bar as shown in FIG. 2; and,
FIG. 7 is an enlarged detail view of a bottom portion of the sealing bar as shown in FIG. 2.

1 Claim, 6 Drawing Sheets

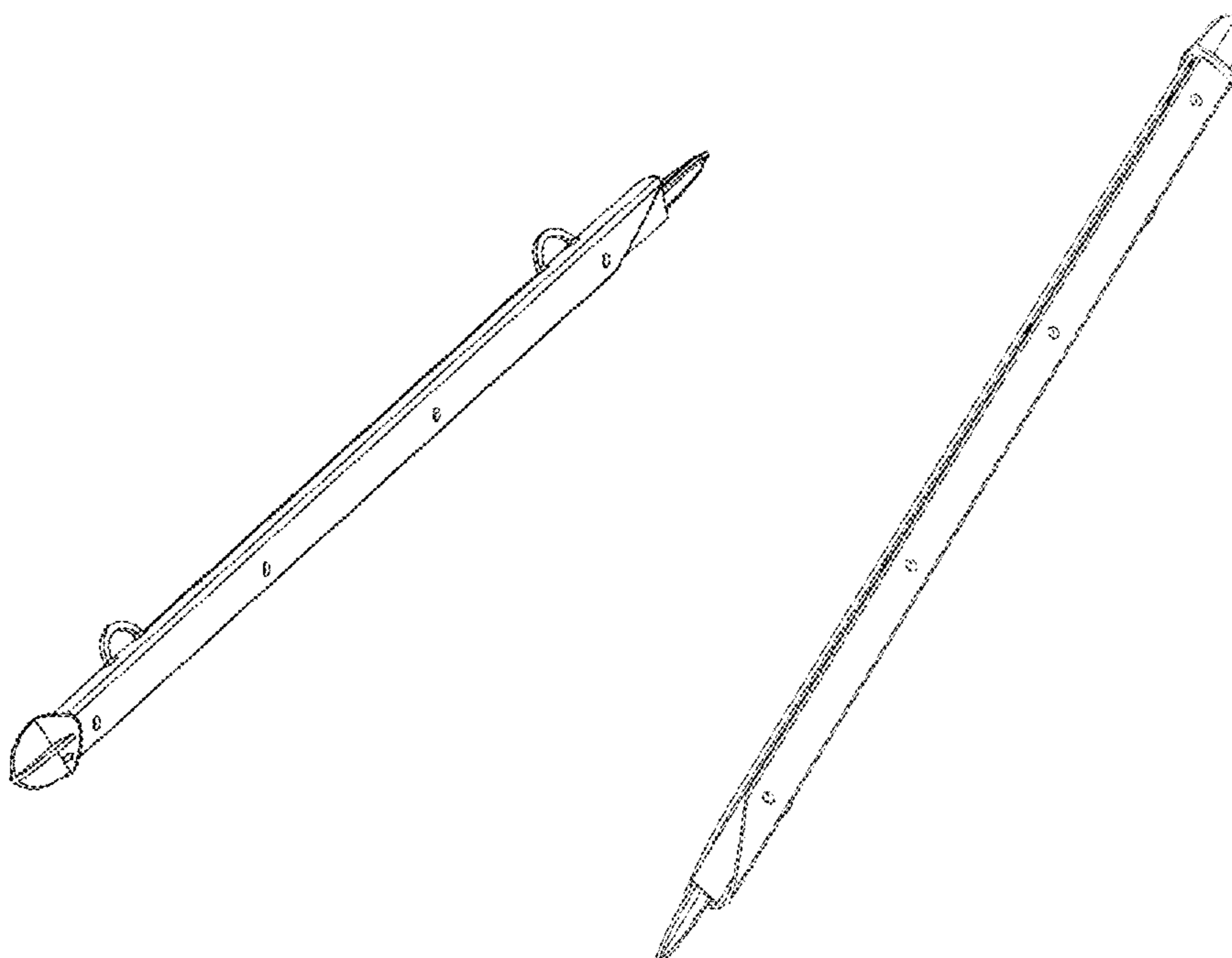


FIG.1

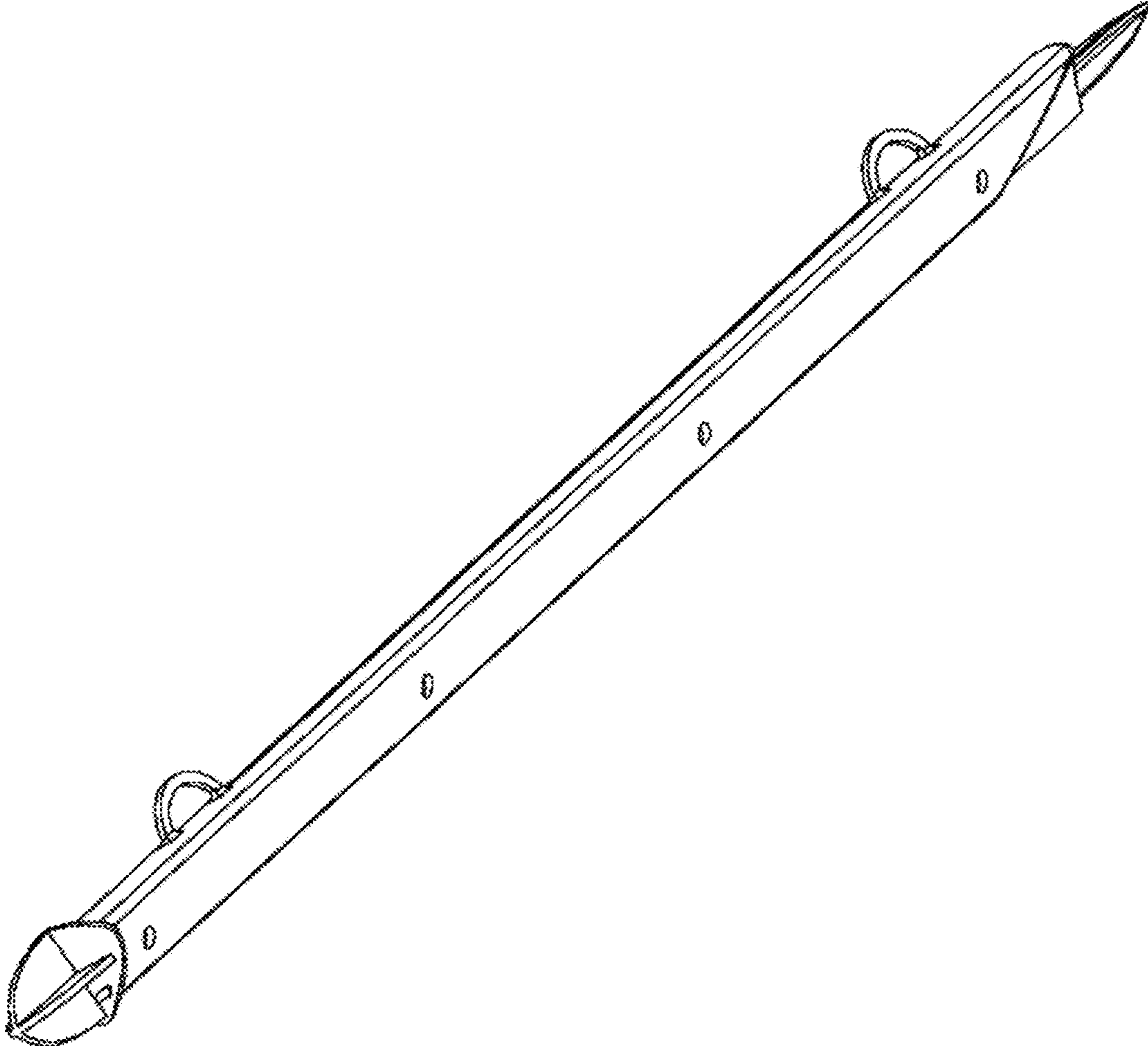


FIG.2

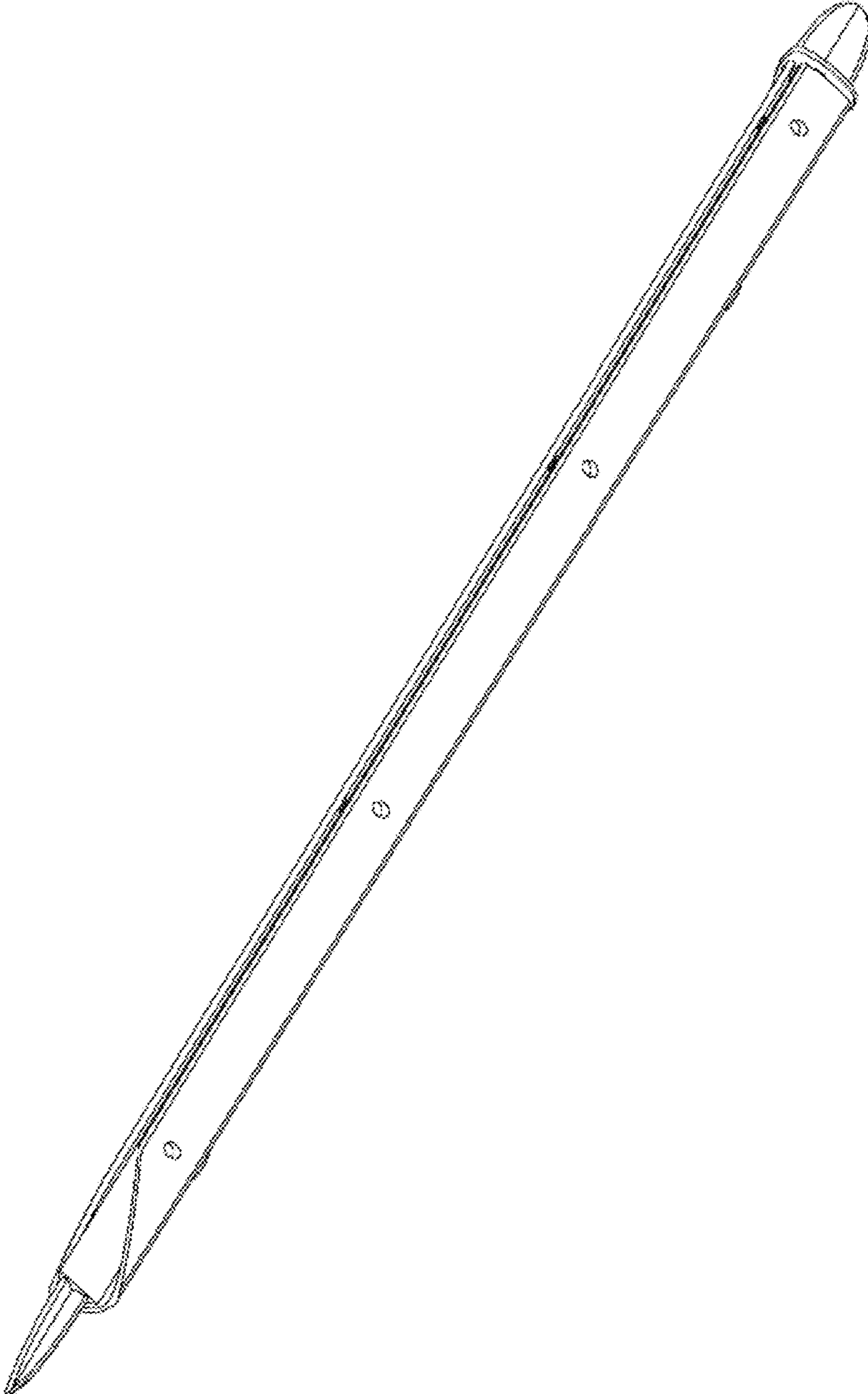


FIG.3

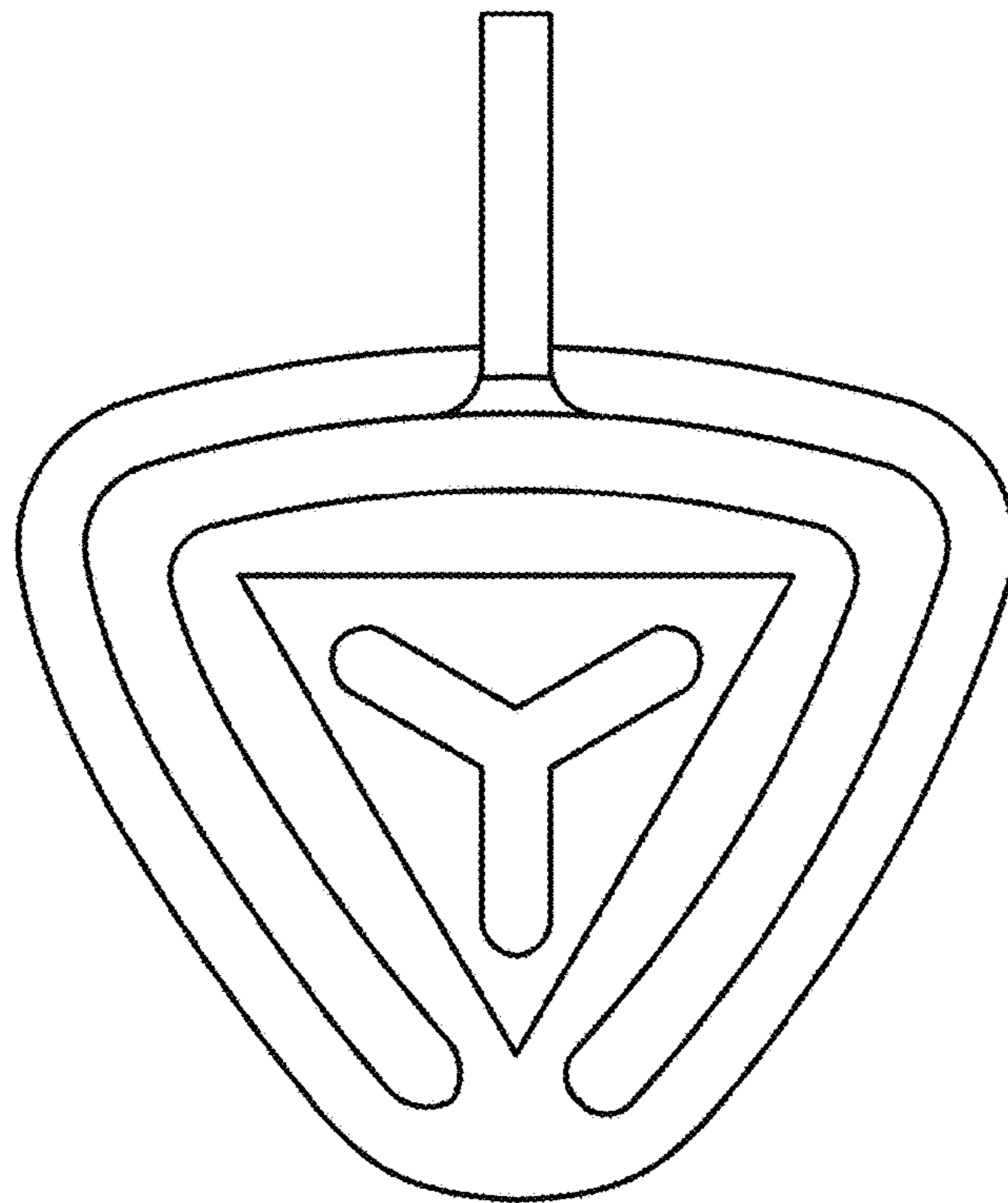


FIG.4

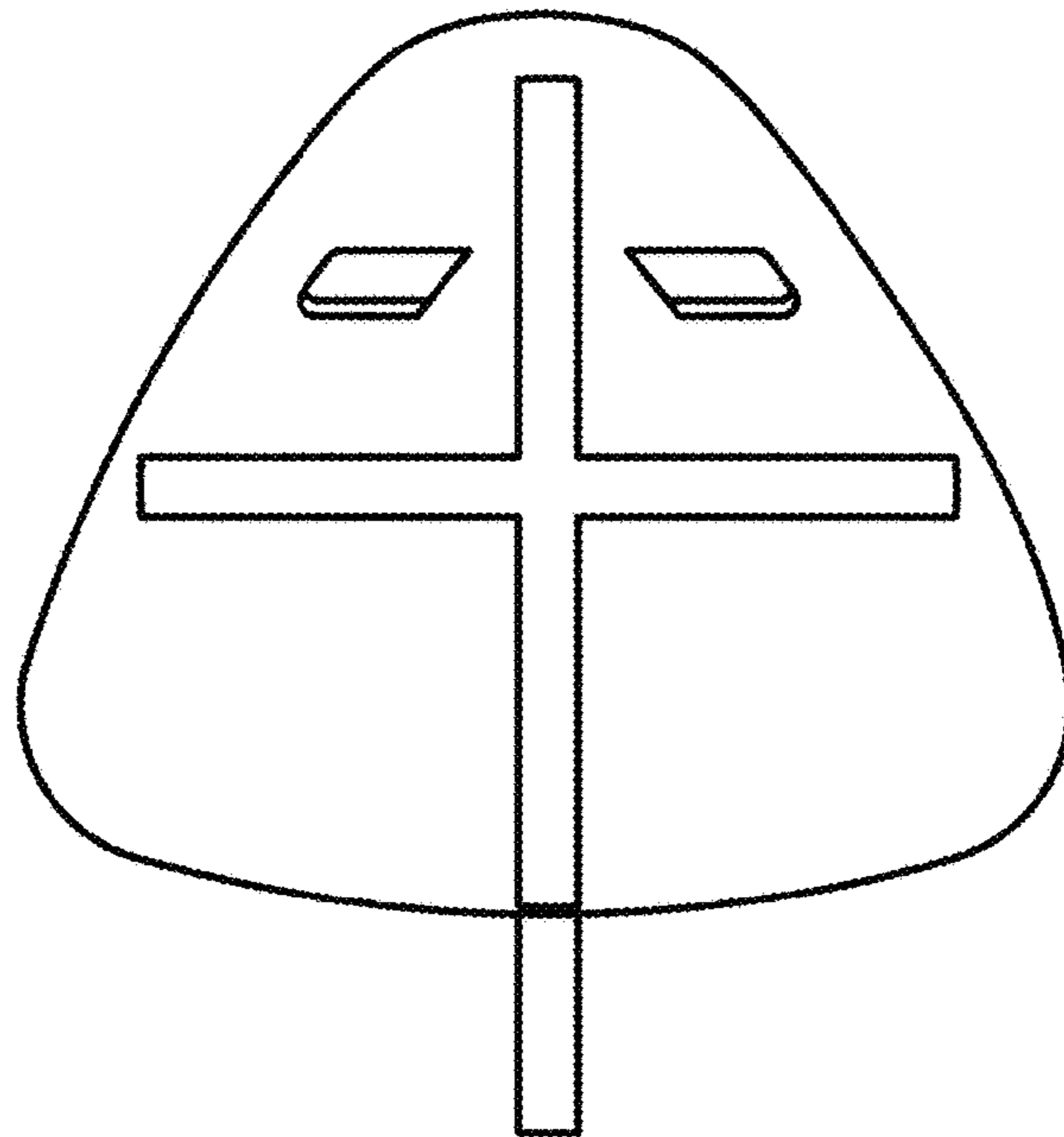


FIG.5

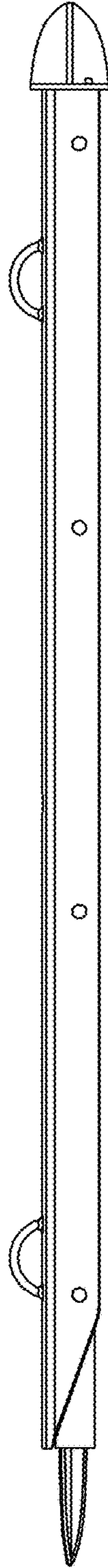


FIG. 6

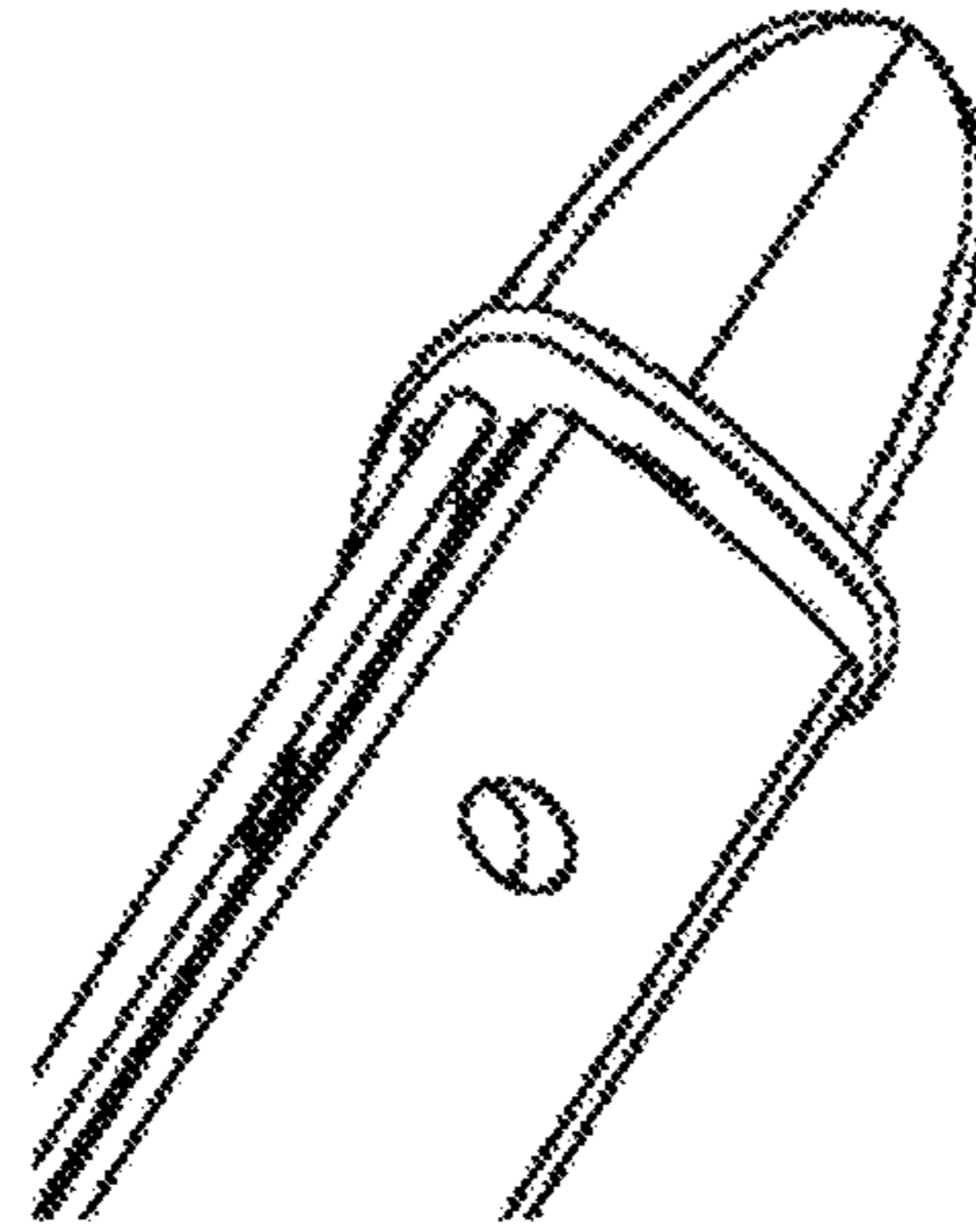


FIG. 7

