



US00D782305S

(12) **United States Design Patent** (10) **Patent No.:** **US D782,305 S**
Lane (45) **Date of Patent:** **** Mar. 28, 2017**

(54) **LID**
(71) Applicant: **THERMOS L.L.C.**, Schaumburg, IL (US)
(72) Inventor: **Marvin Lane**, Wheeling, IL (US)
(73) Assignee: **Thermos L.L.C.**, Schaumburg, IL (US)
(**) Term: **15 Years**

D441,288 S 5/2001 Pillers et al.
D448,294 S 9/2001 Alscher et al.
D587,581 S 3/2009 DeMarco et al.
D595,990 S * 7/2009 Rothberg D7/300.2
D596,440 S * 7/2009 Rothberg D7/300.2
D597,838 S 8/2009 Stuart
D623,473 S 9/2010 Chen
7,798,373 B1 9/2010 Wroblewski et al.
D640,505 S 6/2011 George
(Continued)

(21) Appl. No.: **29/531,723**
(22) Filed: **Jun. 29, 2015**

Related U.S. Application Data

(63) Continuation of application No. 29/486,563, filed on Mar. 31, 2014, now Pat. No. Des. 735,035.
(51) **LOC (10) Cl.** **09-07**
(52) **U.S. Cl.**
USPC **D9/436**
(58) **Field of Classification Search**
USPC D7/300.2, 397, 398; D9/434-436, 439, D9/440, 443, 447, 449, 499; D24/108, D24/127; 210/282; 222/567
CPC B65D 25/40; B65D 75/5861
See application file for complete search history.

(56) **References Cited**

U.S. PATENT DOCUMENTS

D48,994 S * 5/1916 Sutter D9/436
D179,159 S * 11/1956 Sanborn D24/110
D200,980 S * 4/1965 Bateman D9/499
D229,826 S * 1/1974 Raptis D9/440
D281,581 S 12/1985 MacEwen
D318,233 S * 7/1991 Ackerman D9/434
D353,453 S * 12/1994 O'Toole D24/108
D354,656 S * 1/1995 Strawbridge D7/395
D403,964 S 1/1999 Jansen
6,119,888 A 9/2000 Goto et al.

OTHER PUBLICATIONS

Digital Trends. Thermos' Smart Lid Water Bottle Tells You When to Hit the Water Cooler for a Refill; published by Aliya Barnwell. Oct. 23, 2015 [earliest online date], [site visited Jun. 17, 2016]. Available from Internet, <URL:http://www.digitaltrends.com/mobile/thermos-smart-lid-bottle/#/5>.*

(Continued)

Primary Examiner — Robert M Spear
Assistant Examiner — Darcey E Heflin
(74) *Attorney, Agent, or Firm* — Polsinelli PC

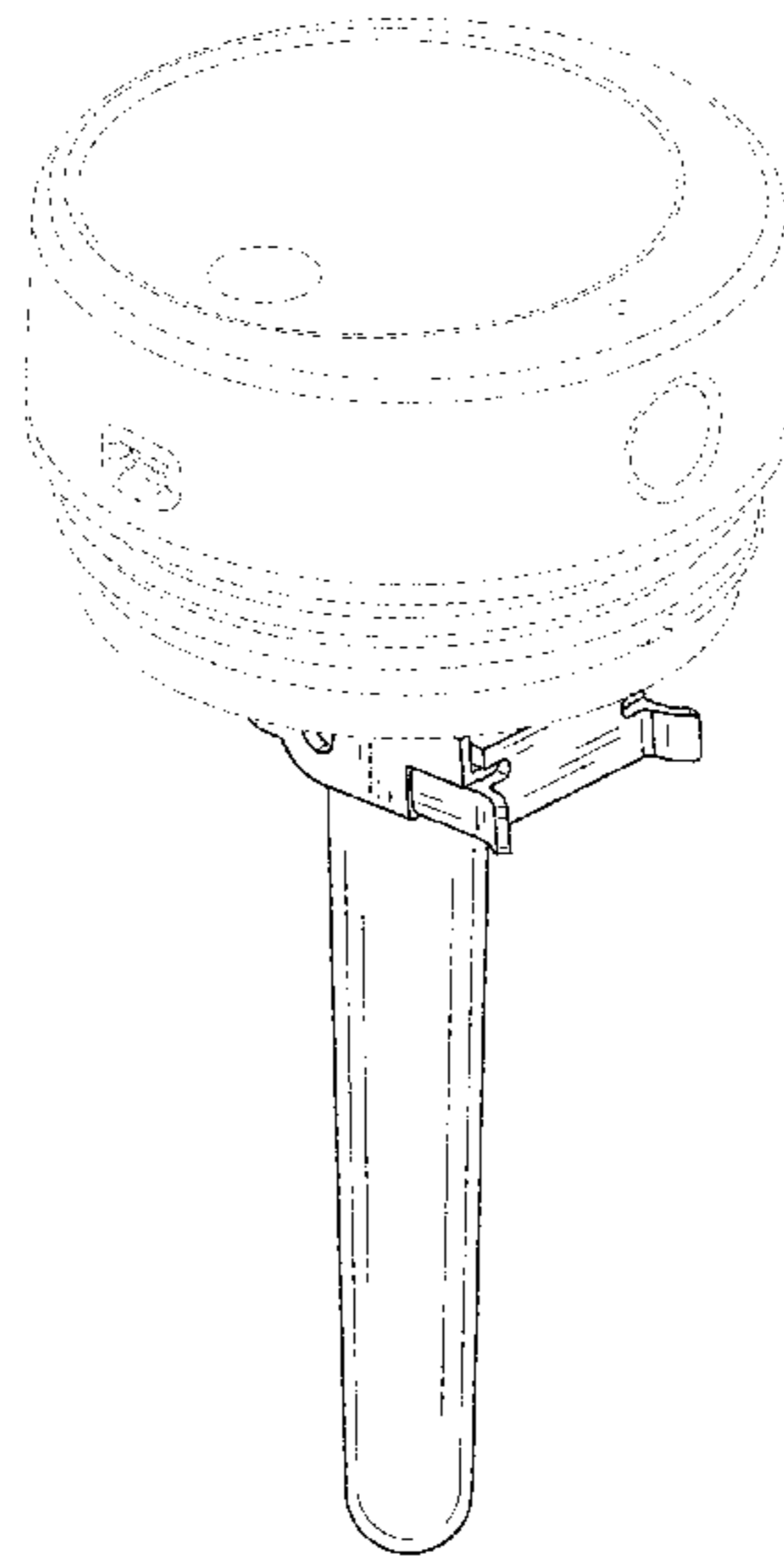
(57) **CLAIM**

The ornamental design for a lid, as shown and described.

DESCRIPTION

FIG. 1 is a perspective view of a lid;
FIG. 2 is a front view of the lid;
FIG. 3 is a right side view of the lid;
FIG. 4 is a rear view of the lid;
FIG. 5 is a left side view of the lid;
FIG. 6 is a top view of the lid; and,
FIG. 7 is a bottom view of the lid.
The broken lines showing in the Figures are included for the purpose of illustrating portions of the lid that form no part of the claimed design.

1 Claim, 4 Drawing Sheets



(56)

References Cited

U.S. PATENT DOCUMENTS

D641,591 S 7/2011 Tsukida
 D655,134 S 3/2012 Gilbert
 D655,812 S * 3/2012 Ramini D24/112
 D655,983 S 3/2012 Cozzolino et al.
 D658,443 S 5/2012 Chiu et al.
 D658,982 S * 5/2012 Pauser D9/435
 D660,081 S 5/2012 Gilbert
 D666,490 S 9/2012 Leon
 D673,422 S * 1/2013 Lane D7/397
 D696,939 S * 1/2014 Federighi D7/398
 D700,513 S 3/2014 Carsrud et al.
 D704,053 S 5/2014 Kim
 D707,557 S 6/2014 Corradini et al.
 D707,558 S 6/2014 Corradini et al.
 D721,920 S 2/2015 Coon et al.
 D735,035 S * 7/2015 Lane D9/447
 D748,476 S * 2/2016 Lakstins D9/447
 D753,283 S * 4/2016 Efinger D24/108
 2007/0181585 A1 8/2007 Lane

2008/0296191 A1 12/2008 Ransch
 2009/0139324 A1 6/2009 Morimoto et al.
 2010/0200602 A1 8/2010 Chan
 2011/0108570 A1 5/2011 Jarisch et al.
 2012/0187075 A1 7/2012 El-Saden et al.
 2012/0293332 A1 11/2012 Rosenfield

OTHER PUBLICATIONS

PCT/US14/64374 International Search Report and Written Opinion mailed Mar. 26, 2015 (14 pages).
 Bootic. Thermos. Oct. 29, 2013 [online], [site visited Feb. 5, 2015]. Available from Internet, <URL:http://www.bootic.com/thermos/home-and-garden/kitchen-and-dining/tableware/drinkware/thermos-nissan-16-ounce-stainless-steel-backpack-bottle>.
 YouTube. Themos Nissan 16-Ounce Stainless-Steel Backpack Bottle Review. Feb. 23, 2013 [online], [site visited Feb. 5, 2015]. Available from Internet, <URL:https://www.youtube.com/watch?v=8PnmUihk_uQ>.

* cited by examiner

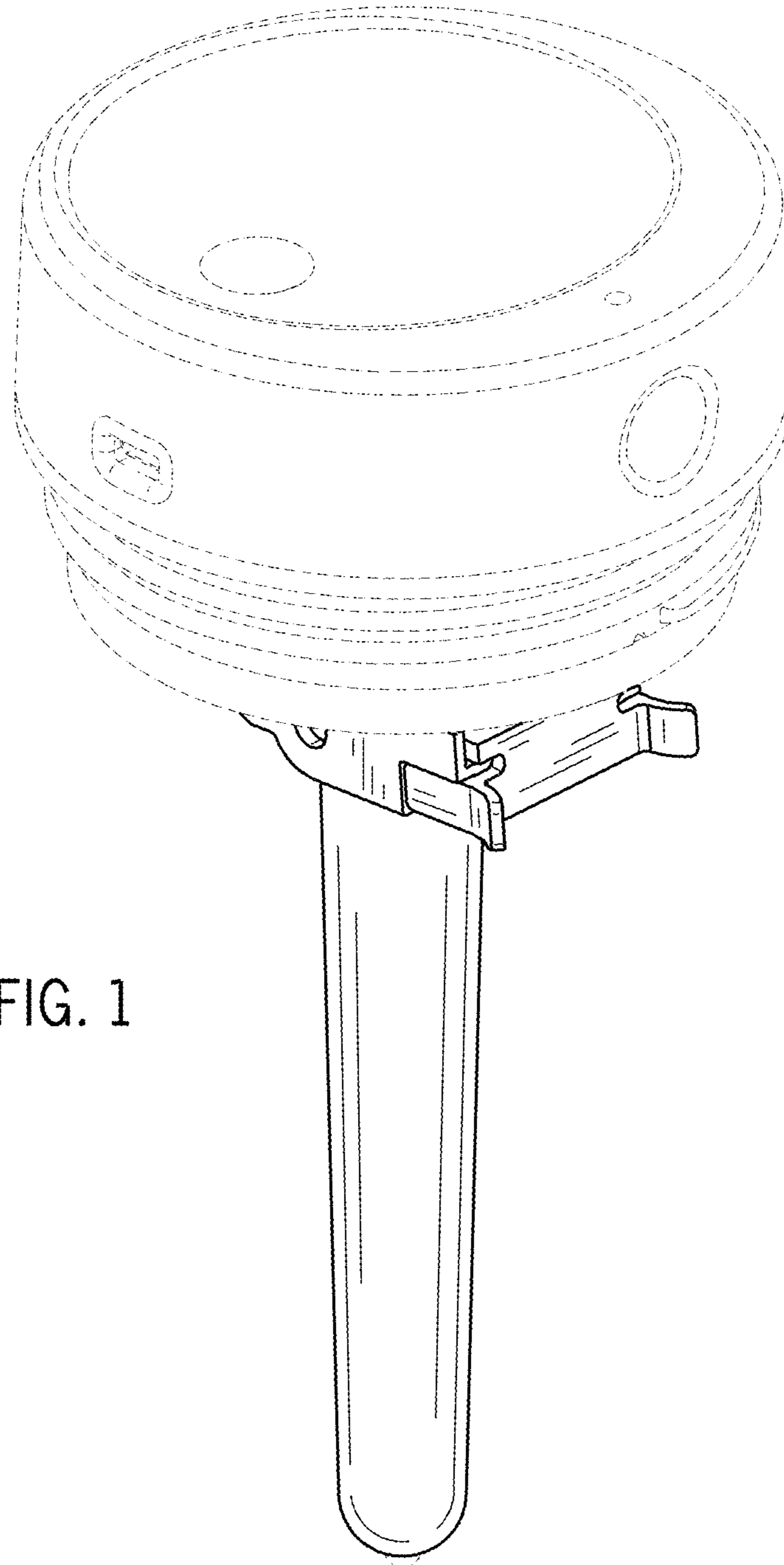


FIG. 1

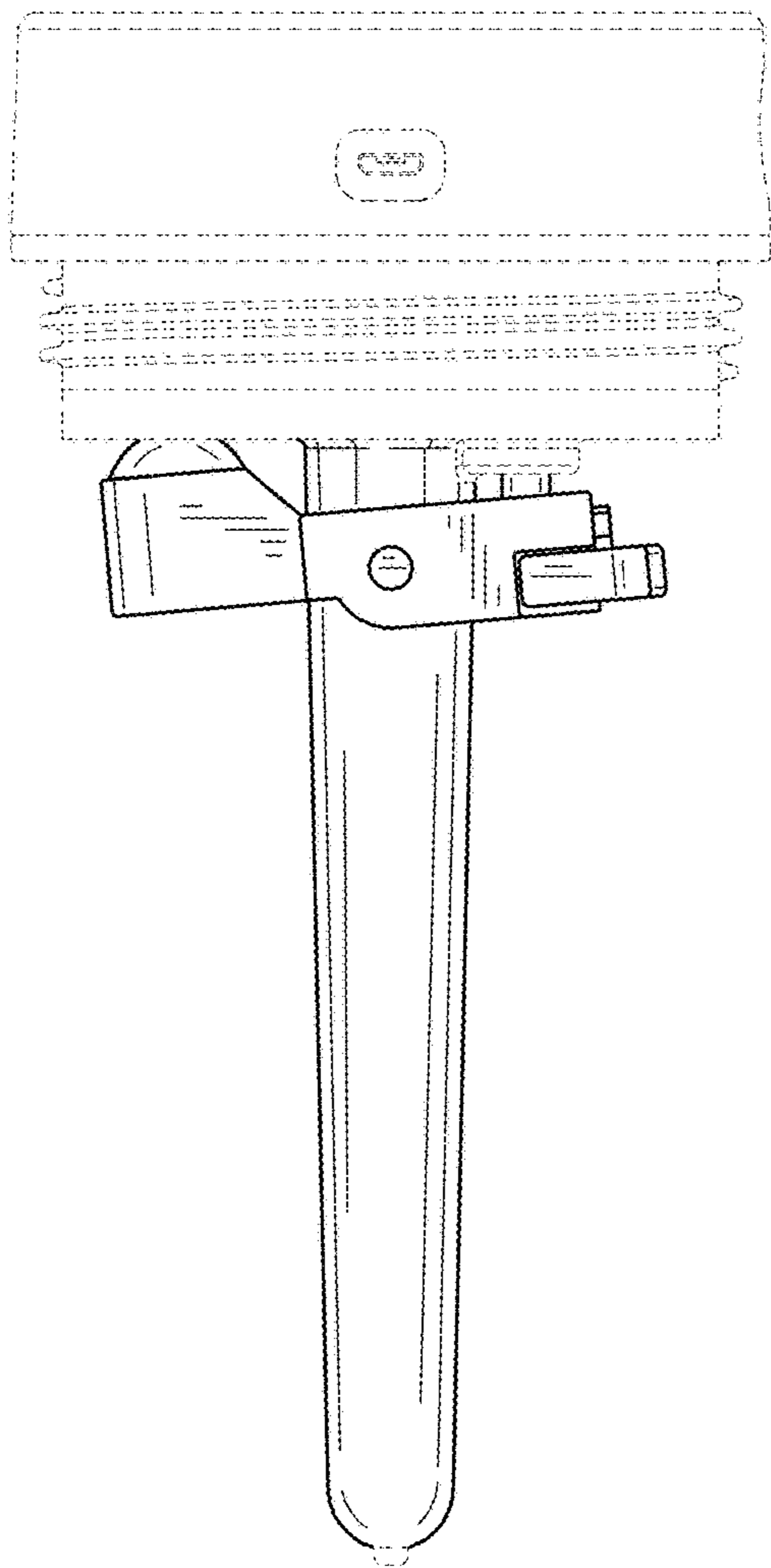


FIG. 2

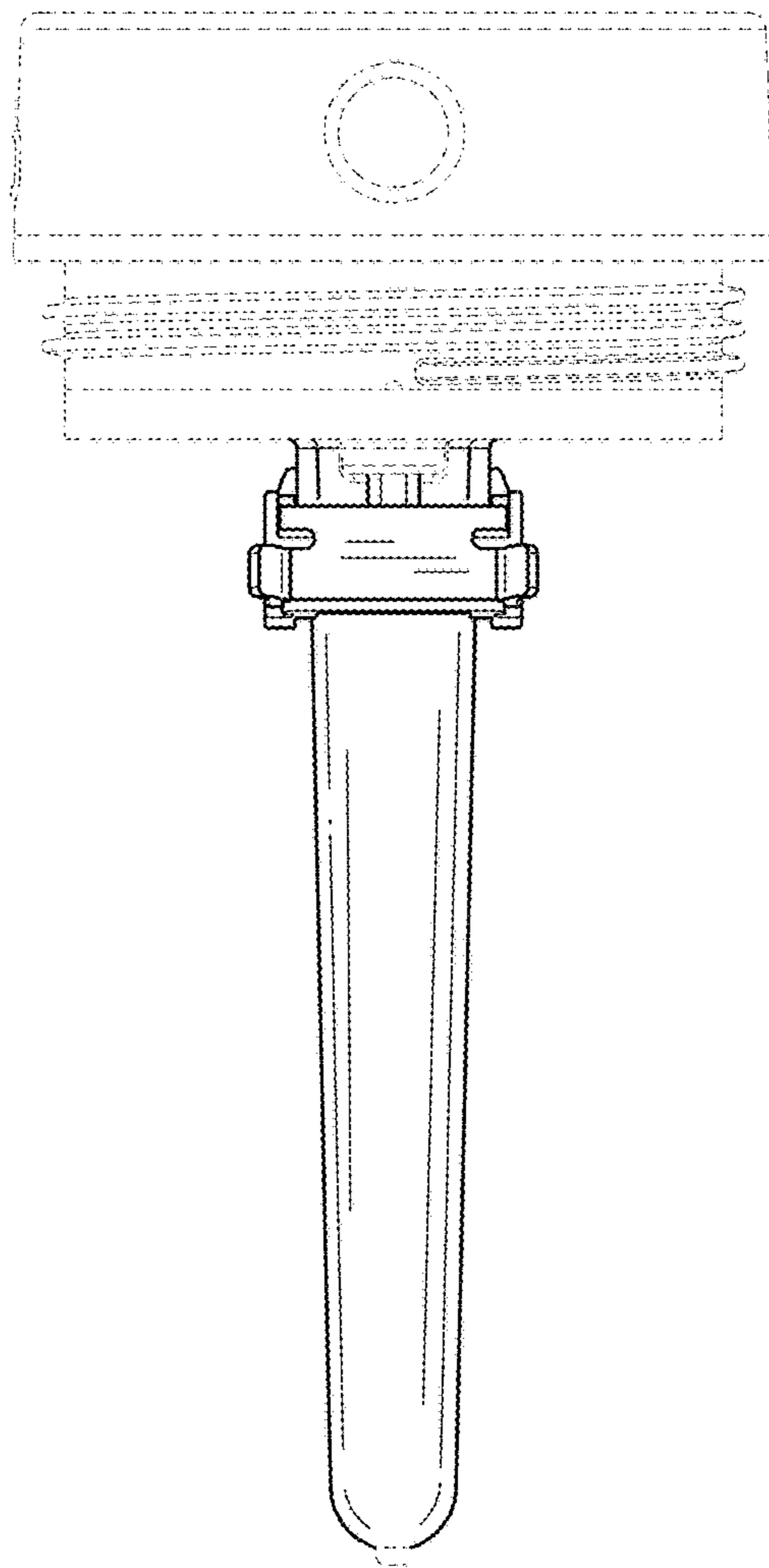


FIG. 3

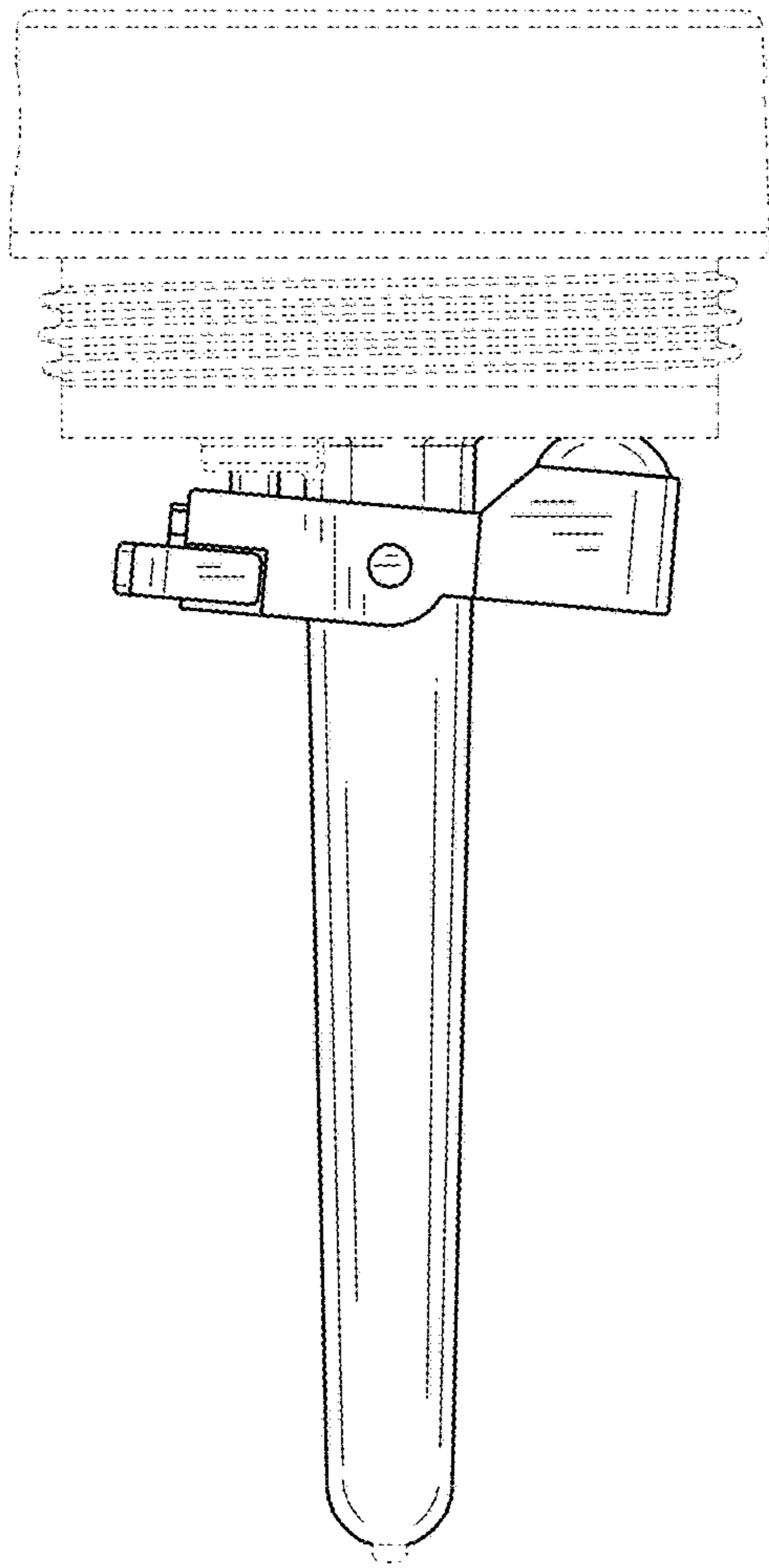


FIG. 4

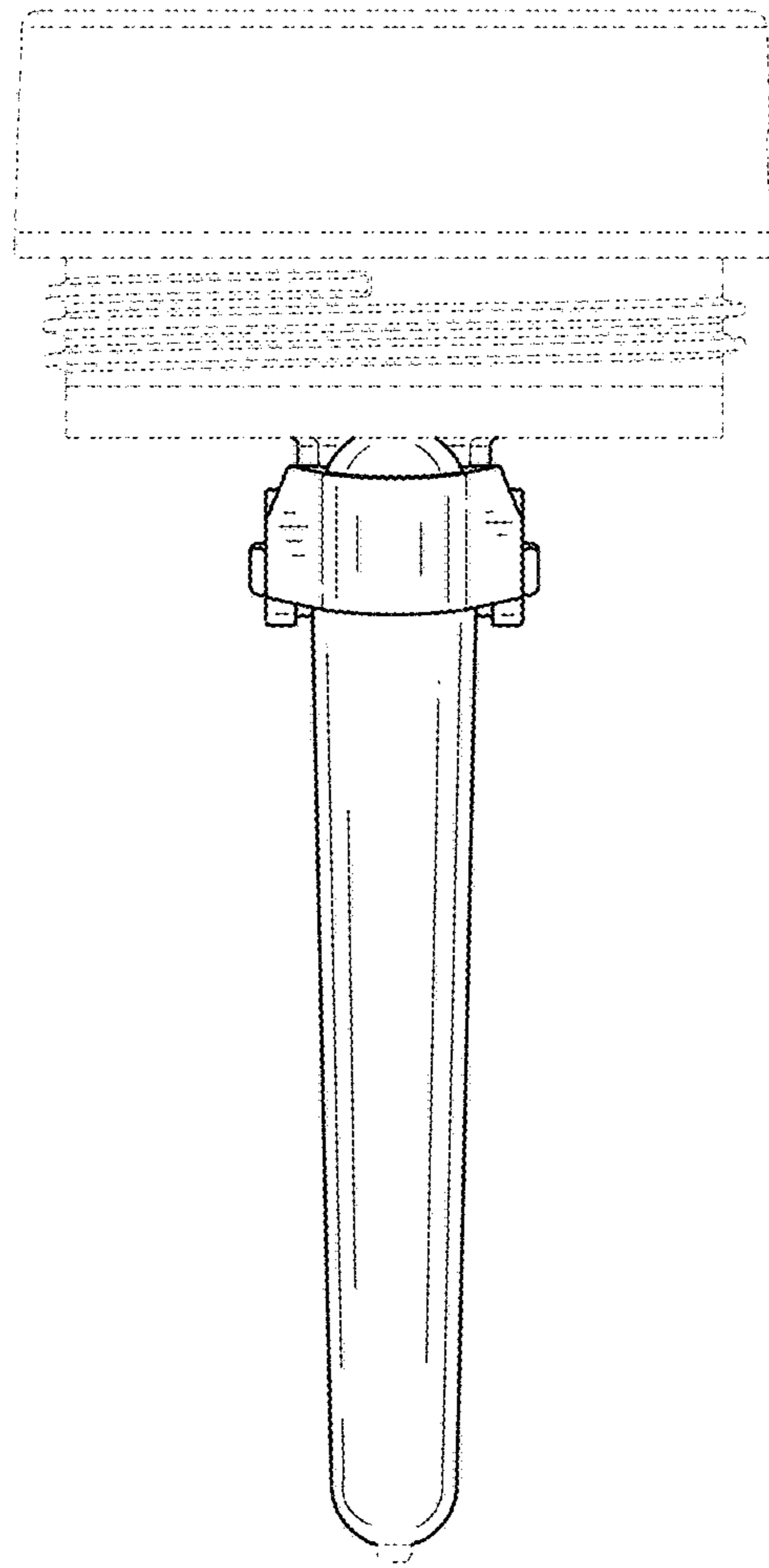


FIG. 5

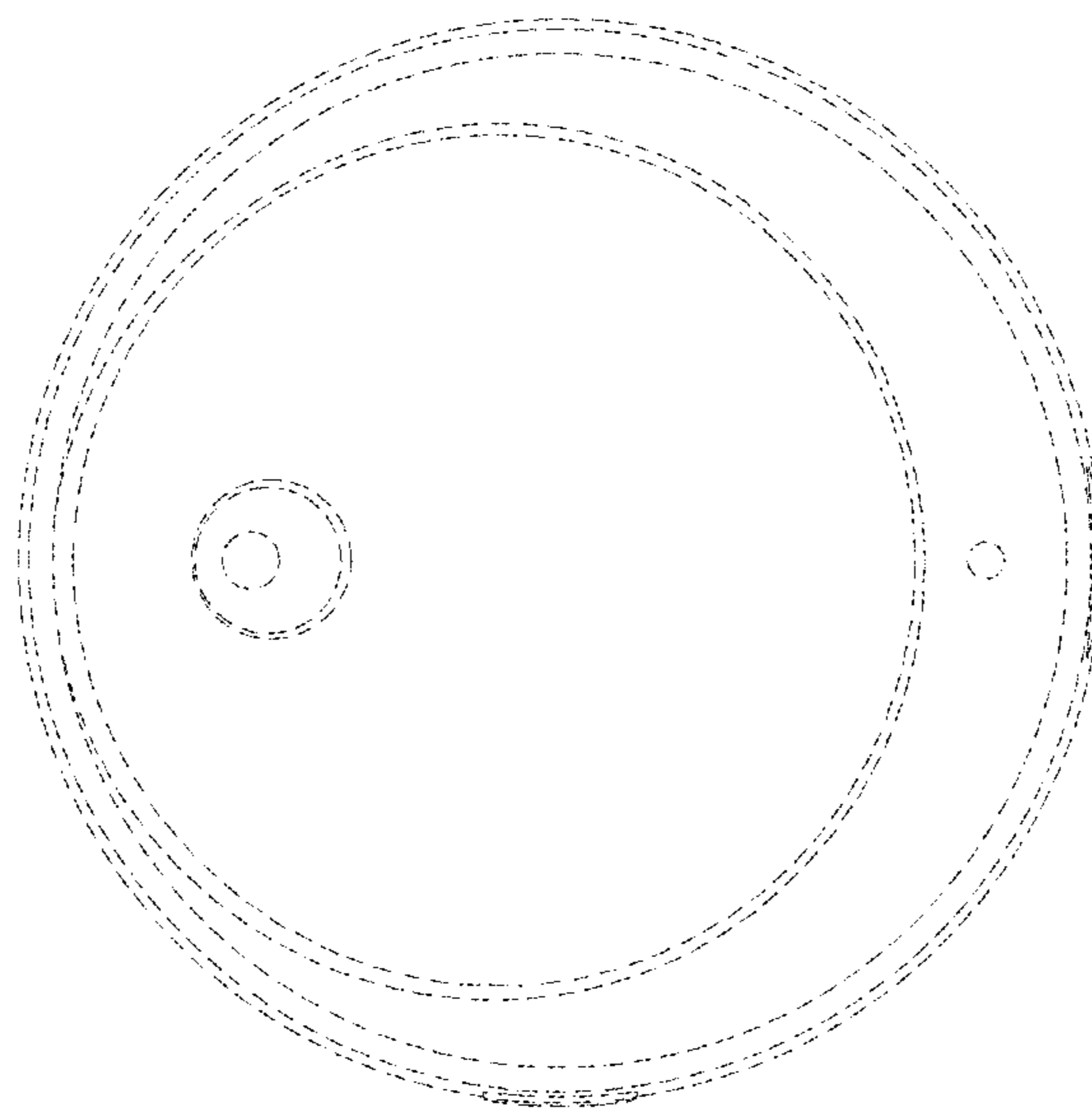


FIG. 6

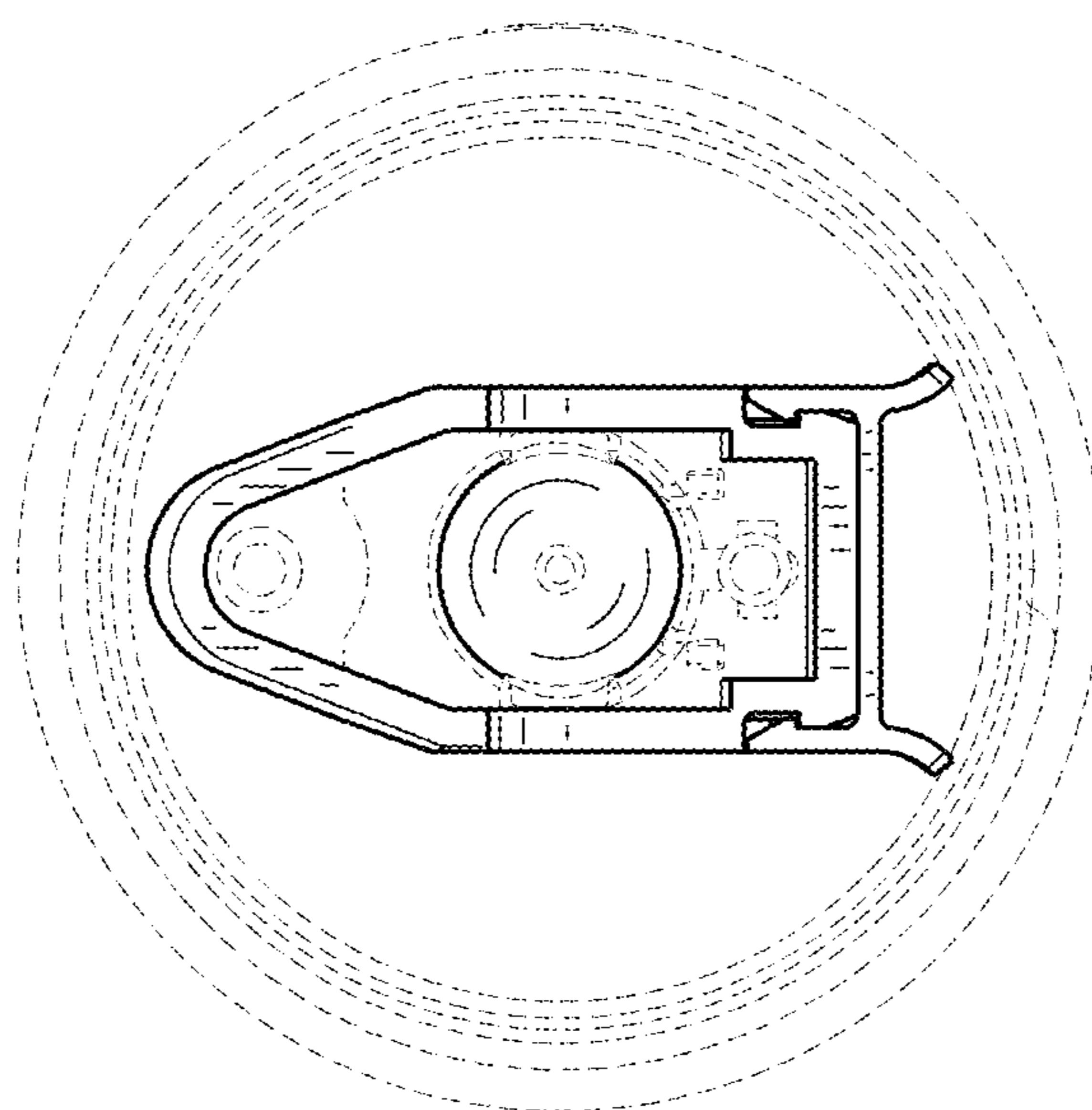


FIG. 7