



US00D782295S

(12) **United States Design Patent** (10) **Patent No.:** **US D782,295 S**
Lee (45) **Date of Patent:** **** *Mar. 28, 2017**

(54) **SAW BLADE CONTAINER**
(71) Applicant: **John Lee**, Chino, CA (US)
(72) Inventor: **John Lee**, Chino, CA (US)
(*) Notice: This patent is subject to a terminal disclaimer.

6,427,832 B1 * 8/2002 Ali et al. 206/303
6,446,797 B1 9/2002 Shiga
D473,787 S * 4/2003 Jones et al. D9/415
6,729,468 B1 * 5/2004 Dobmeier 206/303
D524,643 S * 7/2006 Legrand D9/415
D678,759 S * 3/2013 Gottschalk D9/415
D704,059 S * 5/2014 Glass et al. D9/457

(Continued)

(**) Term: **14 Years**

FOREIGN PATENT DOCUMENTS

(21) Appl. No.: **29/458,773**

EP 559443 A1 * 9/1993 B65D 73/00
GB 2282790 A * 4/1994 B65D 59/00

(22) Filed: **Jun. 21, 2013**

Primary Examiner — Darlington Ly

(51) **LOC (10) Cl.** **09-03**

(57) **CLAIM**

(52) **U.S. Cl.**
USPC **D9/415**

The ornamental design for a saw blade container, as shown and described.

(58) **Field of Classification Search**
USPC D9/414, 415, 418, 424, 425, 433, 438,
D9/440, 445, 456, 457, 499, 722, 702,
D9/703, 707; 206/303, 349, 461, 463,
206/464, 465, 466, 476, 489, 493, 495,
206/768, 769, 776, 779, 804, 806, 807;
383/101, 107, 108, 109
CPC B25H 3/006; B25H 3/02; B65D 85/02;
A45F 5/10
See application file for complete search history.

DESCRIPTION

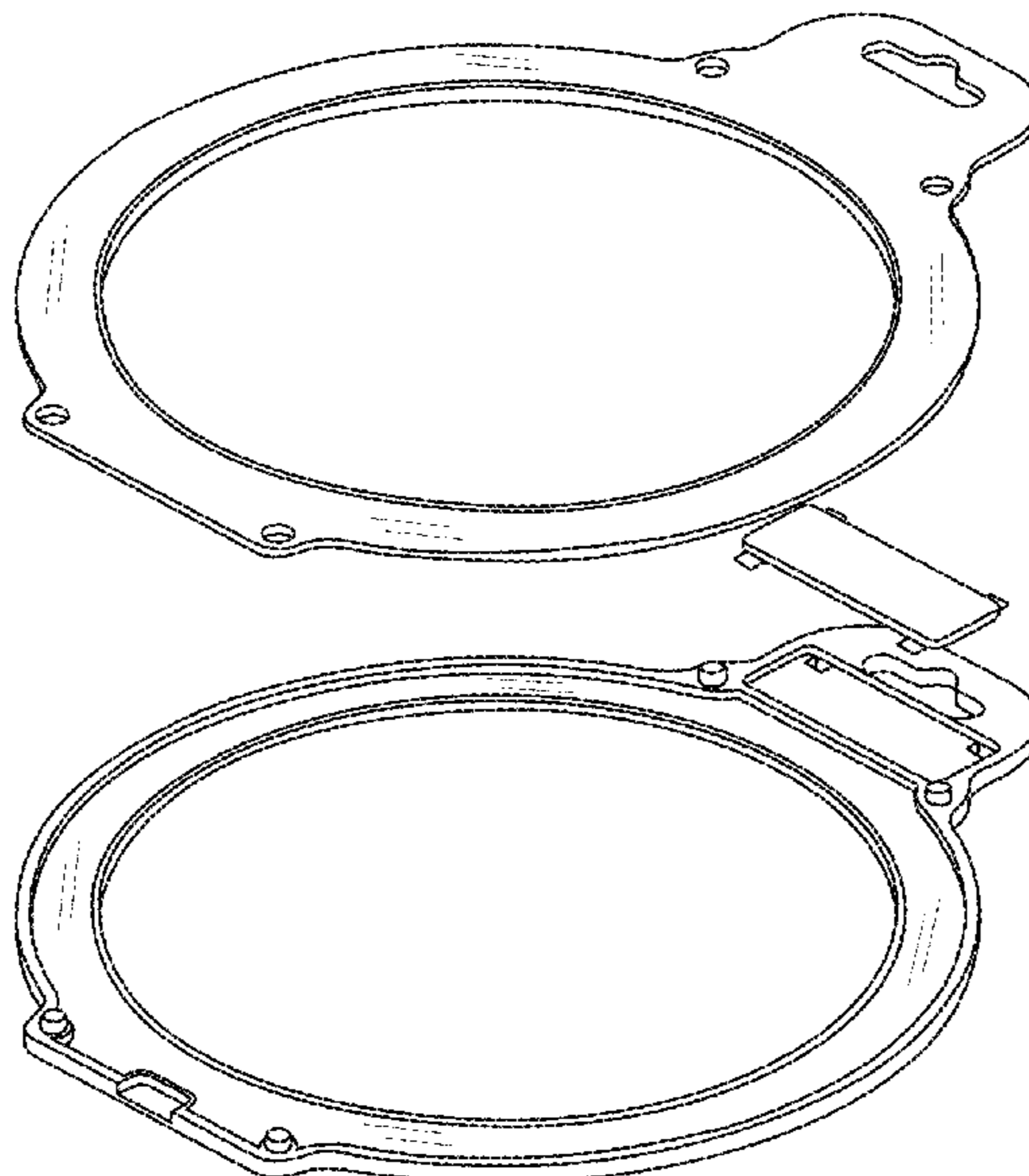
FIG. 1 is an exploded perspective view showing my new design for a saw blade container in three parts; FIG. 2 is a top plan view of the cover for the saw blade container shown in FIG. 1; FIG. 3 is a bottom plan view thereof; FIG. 4 is a front elevation view thereof; FIG. 5 is a rear elevation view thereof; FIG. 6 is a left side elevation view thereof; FIG. 7 is a right side elevation view thereof; FIG. 8 is a top plan view of the base for the saw blade container shown in FIG. 1; FIG. 9 is a front elevation view thereof; FIG. 10 is a rear elevation view thereof; FIG. 11 is a right side elevation view thereof; FIG. 12 is a left side elevation view thereof; and, FIG. 13 is a left side elevation view of the saw blade container assembled with the base and cover.

(56) **References Cited**

U.S. PATENT DOCUMENTS

102,923 A 5/1870 Disston
D314,471 S * 2/1991 Lueth D3/315
D314,665 S 2/1991 Wu
D320,697 S * 10/1991 Eggan D3/315
D338,337 S * 8/1993 Roe, Jr. D3/315
D384,579 S 10/1997 Lee
5,713,463 A 2/1998 Lakoski
D397,934 S 9/1998 Giulianelli
6,267,239 B1 * 7/2001 Maki 206/349
6,401,922 B1 * 6/2002 Svetlik 206/373

1 Claim, 5 Drawing Sheets



(56)

References Cited

U.S. PATENT DOCUMENTS

2010/0072093 A1* 3/2010 Cross 206/349
2012/0273376 A1* 11/2012 Nicholls et al. 206/349

* cited by examiner

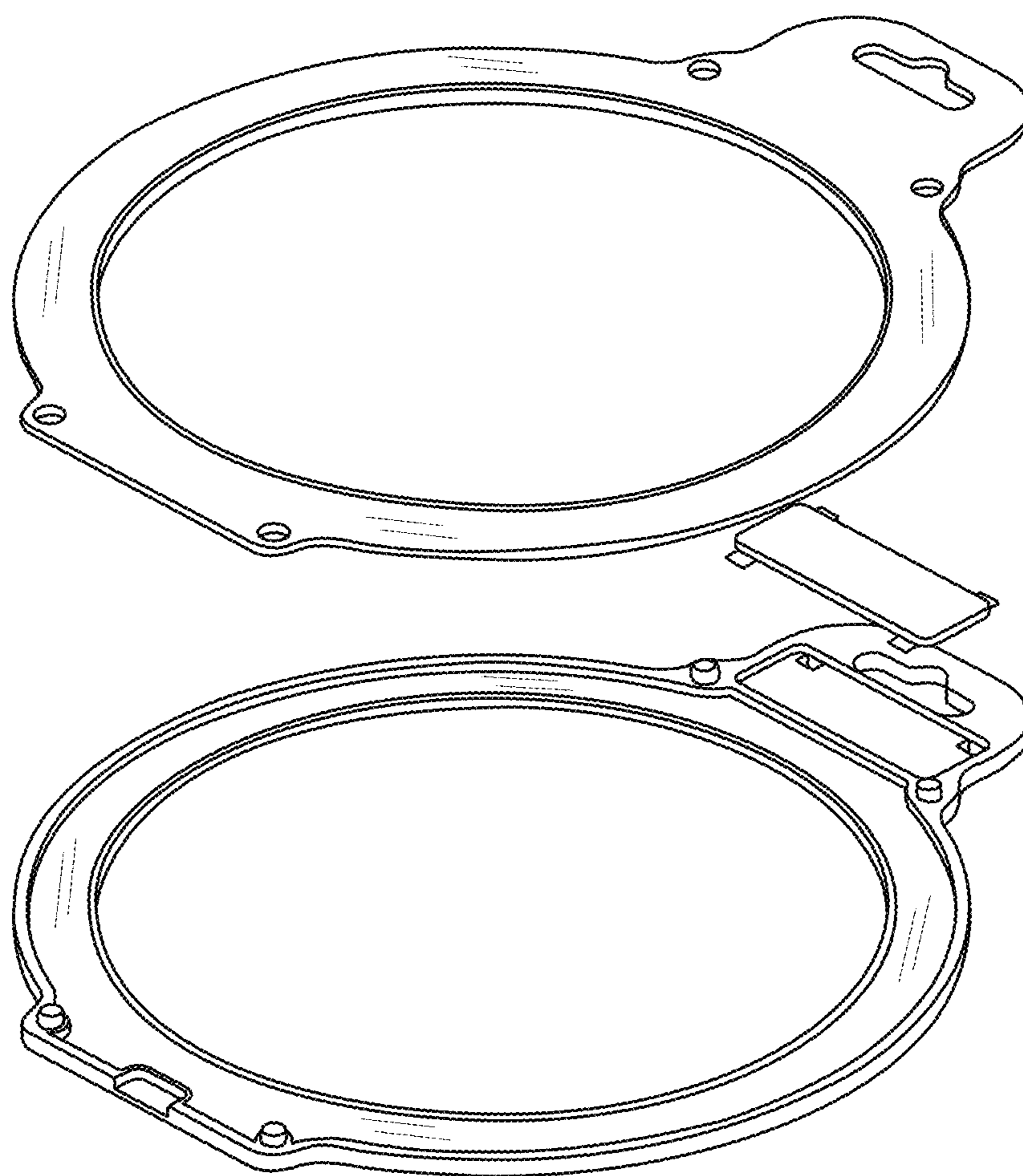


FIG. 1

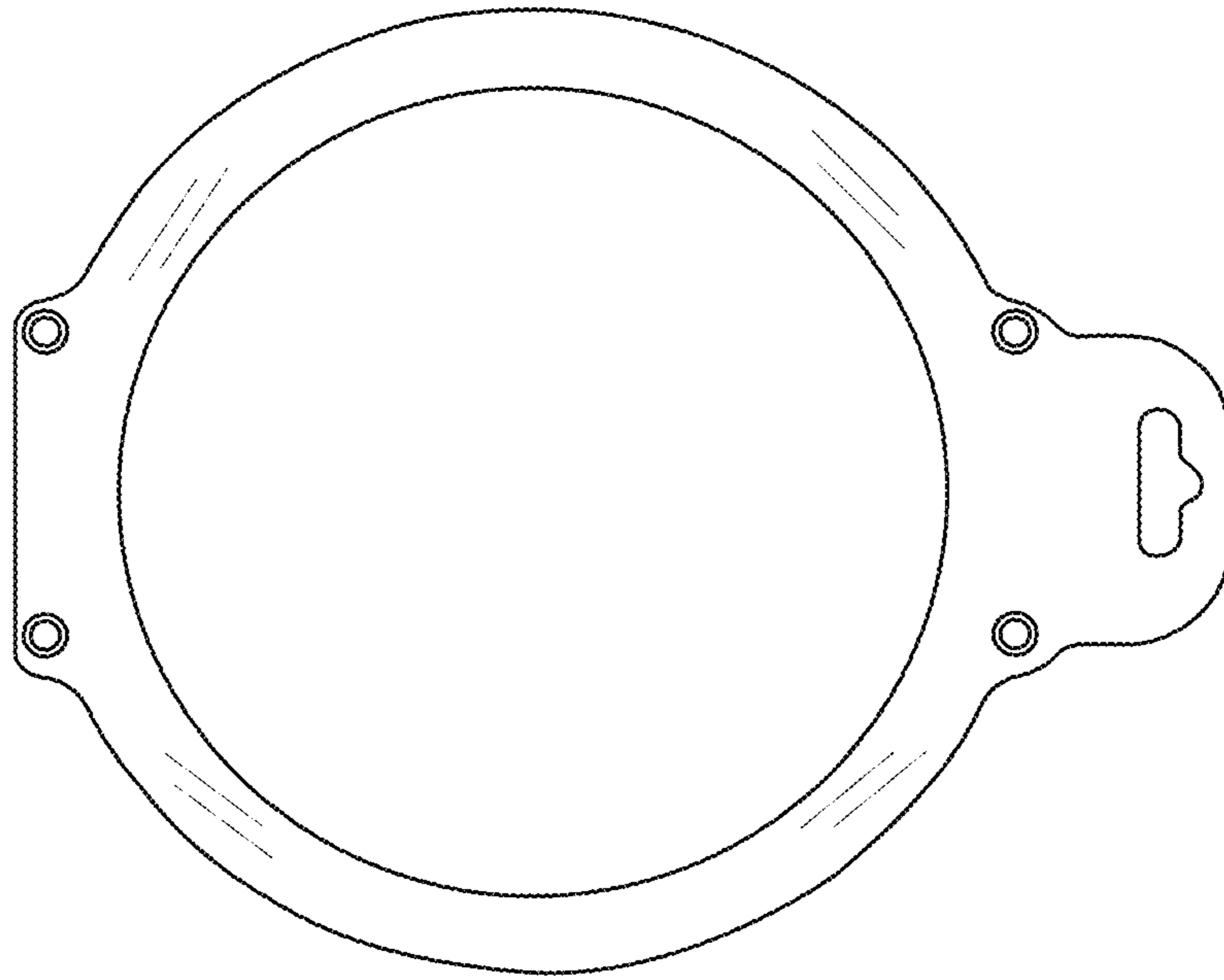


FIG. 2

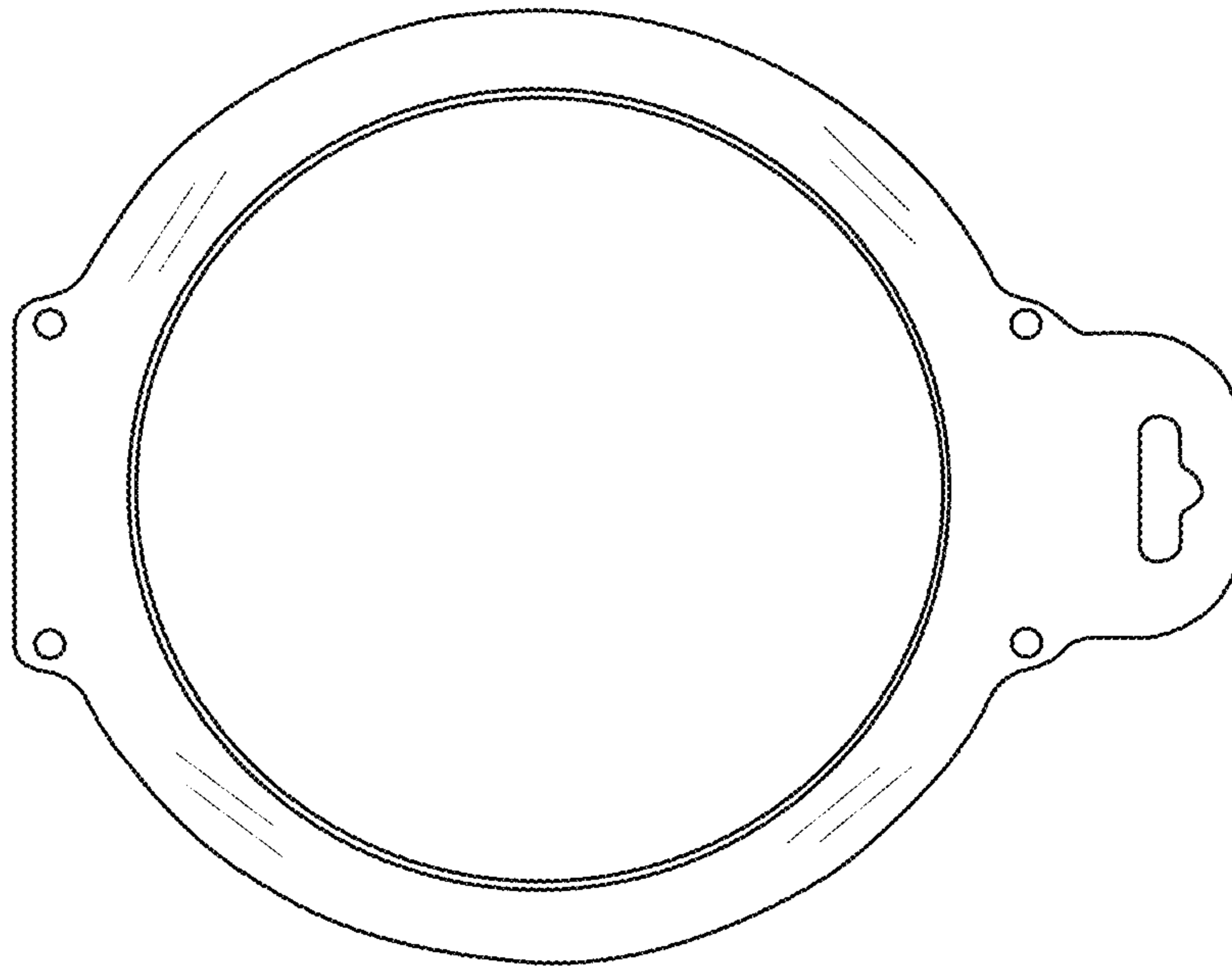


FIG. 3



FIG. 4



FIG. 5

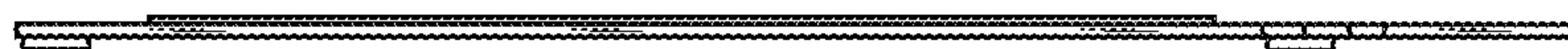


FIG. 6

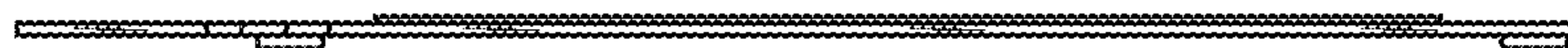


FIG. 7

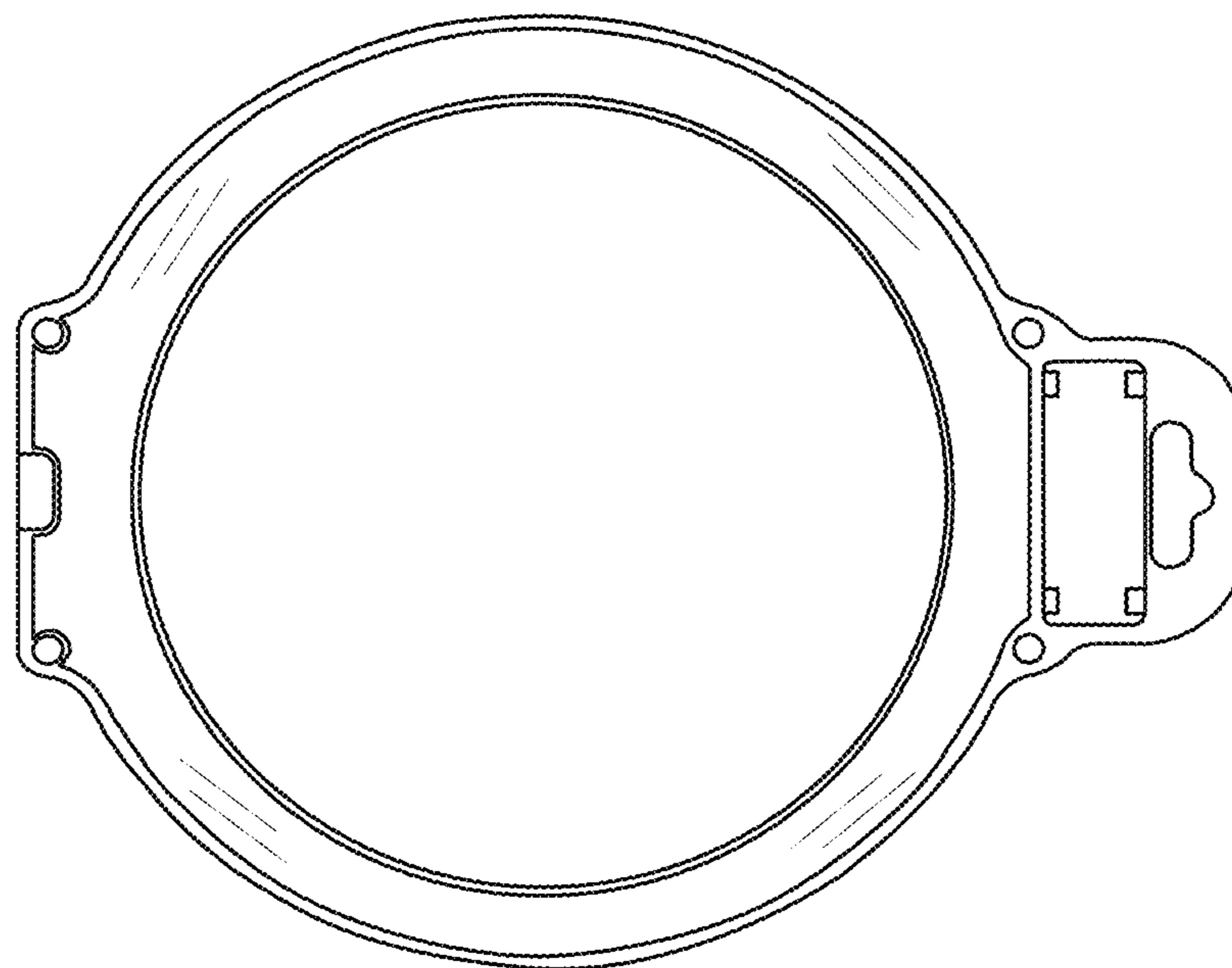


FIG. 8

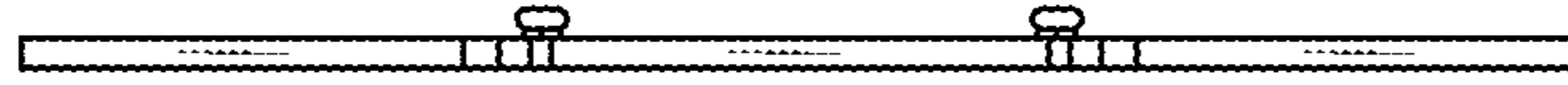


FIG. 9

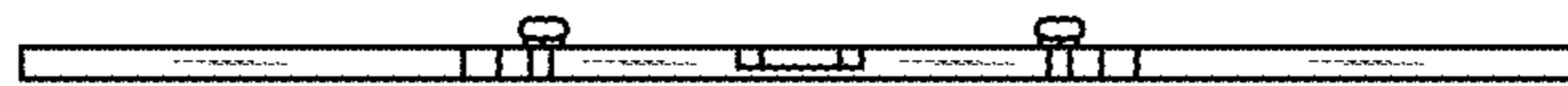


FIG. 10

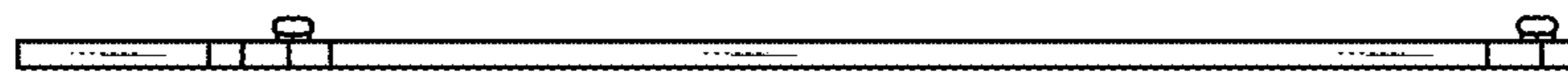


FIG. 11

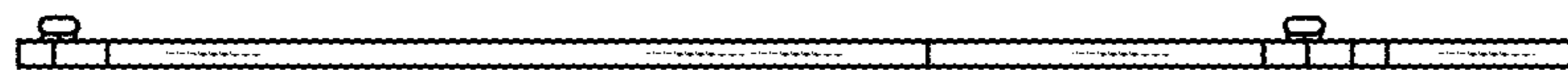


FIG. 12

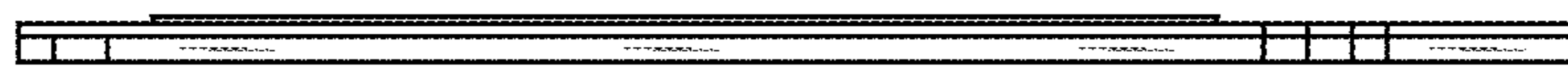


FIG. 13