



US00D782292S

(12) **United States Design Patent**
Wessel

(10) **Patent No.:** **US D782,292 S**
(45) **Date of Patent:** **** Mar. 28, 2017**

- (54) **CLIP**
- (71) Applicant: **Elmer A. Wessel**, Lincoln, NE (US)
- (72) Inventor: **Elmer A. Wessel**, Lincoln, NE (US)
- (**) Term: **15 Years**
- (21) Appl. No.: **29/532,282**
- (22) Filed: **Jul. 3, 2015**
- (51) **LOC (10) Cl.** **08-08**
- (52) **U.S. Cl.**
USPC **D8/382**
- (58) **Field of Classification Search**
USPC D8/16, 18, 71, 73, 349, 354, 363, 366,
D8/371, 373, 374, 380, 381, 382, 394,
D8/499; D6/681, 681.2, 681.3, 702, 567,
D6/572
CPC . A47B 43/00; A47B 47/0025; A47B 47/0041;
A47B 47/021; A47B 55/00; A47B 55/02;
A47B 73/002; A47B 2088/0437; A47B
57/42; A47B 57/562; A47B 96/024; A47B
96/028; A47B 96/063; A47B 2220/0044;
A47B 96/068
See application file for complete search history.

- D659,522 S * 5/2012 Noturno D8/382
- 8,544,229 B2 * 10/2013 Kilgore E04F 15/02044
52/177
- D695,593 S * 12/2013 Nunez Farfan D8/354
- D702,886 S * 4/2014 Bohman D28/38
- D758,968 S * 6/2016 El Zakhem D13/122
- 2001/0044992 A1 * 11/2001 Jahrling A47B 55/02
24/563
- 2009/0223027 A1 * 9/2009 Reznar E04F 15/04
24/457

* cited by examiner

Primary Examiner — Sandra Snapp
Assistant Examiner — Ieisha Price
(74) *Attorney, Agent, or Firm* — Geoff Dobbin; Dobbin
IP Law P.C.

(57) **CLAIM**

The ornamental design for a clip, as shown and described.

DESCRIPTION

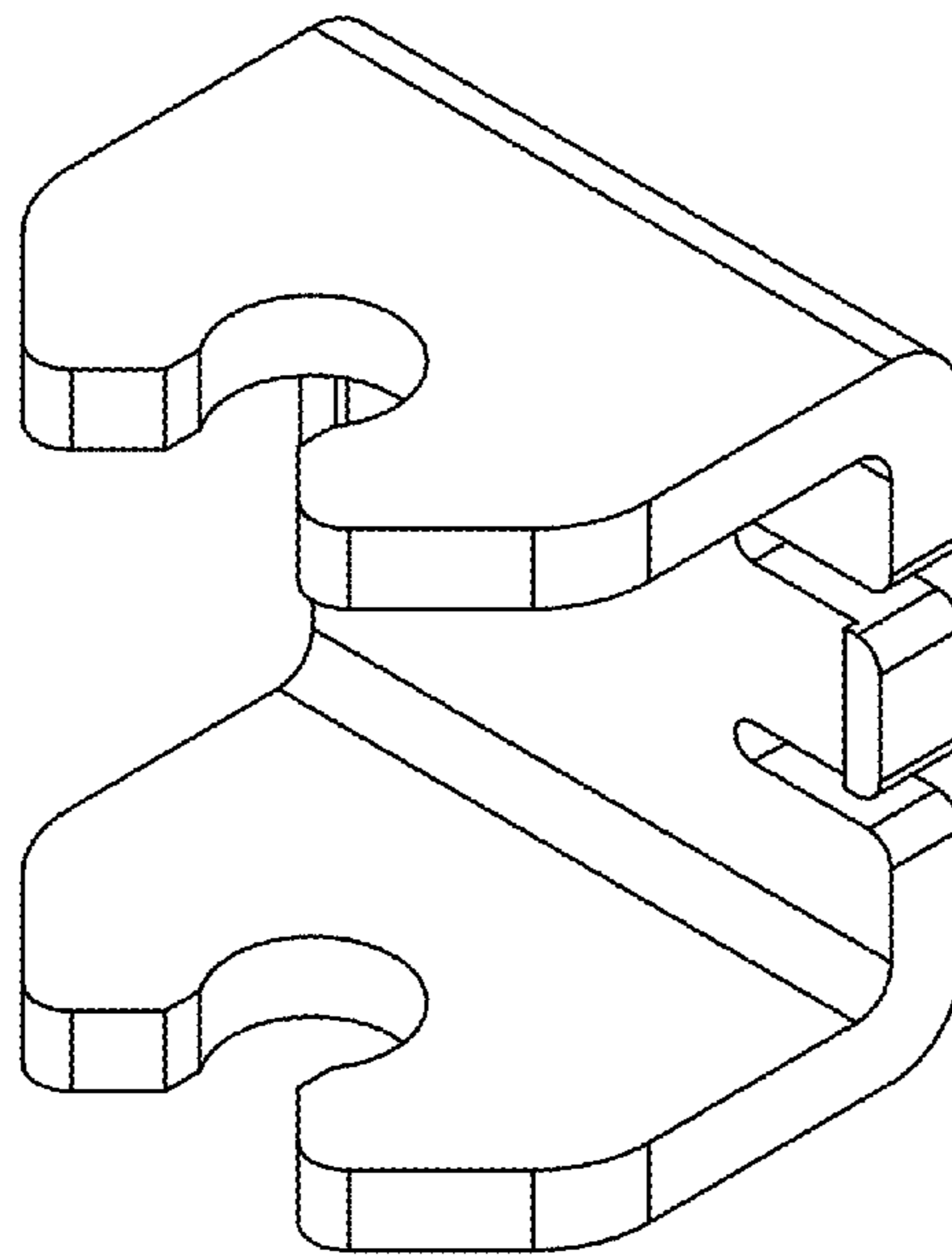
FIG. 1 is a perspective view of the clip.
FIG. 2 is a front elevation view of the clip, with the rear elevation view being identical.
FIG. 3 is a left elevation view of the clip, with the right elevation view being identical.
FIG. 4 is a bottom plan view of the clip.
FIG. 5 is a top plan view of the clip
FIG. 6 is an environmental perspective view of the clip shown in FIG. 1; and,
FIG. 7 is an enlarged environmental perspective view of the clip taken from circle 7 of FIG. 6.
The broken lines showing of the wire shelving, a lighting unit and wire for the lighting unit in FIGS. 6 and 7 represents the environment of the claimed design and forms no part thereof.

(56) **References Cited**

U.S. PATENT DOCUMENTS

- D26,222 S * 10/1896 Schriver D8/499
- D245,666 S * 9/1977 Calkins D8/18
- D260,481 S * 9/1981 Norcross D8/354
- D274,214 S * 6/1984 de Vos D8/373
- D276,212 S * 11/1984 Villanueva D6/553
- D409,895 S * 5/1999 Schron, Jr. D8/349
- D420,566 S * 2/2000 Ely D8/354
- D511,677 S * 11/2005 DeBiasio, Jr. D8/354
- D534,791 S * 1/2007 Fujiwara D8/382
- D645,865 S * 9/2011 Diehl D14/299

1 Claim, 3 Drawing Sheets



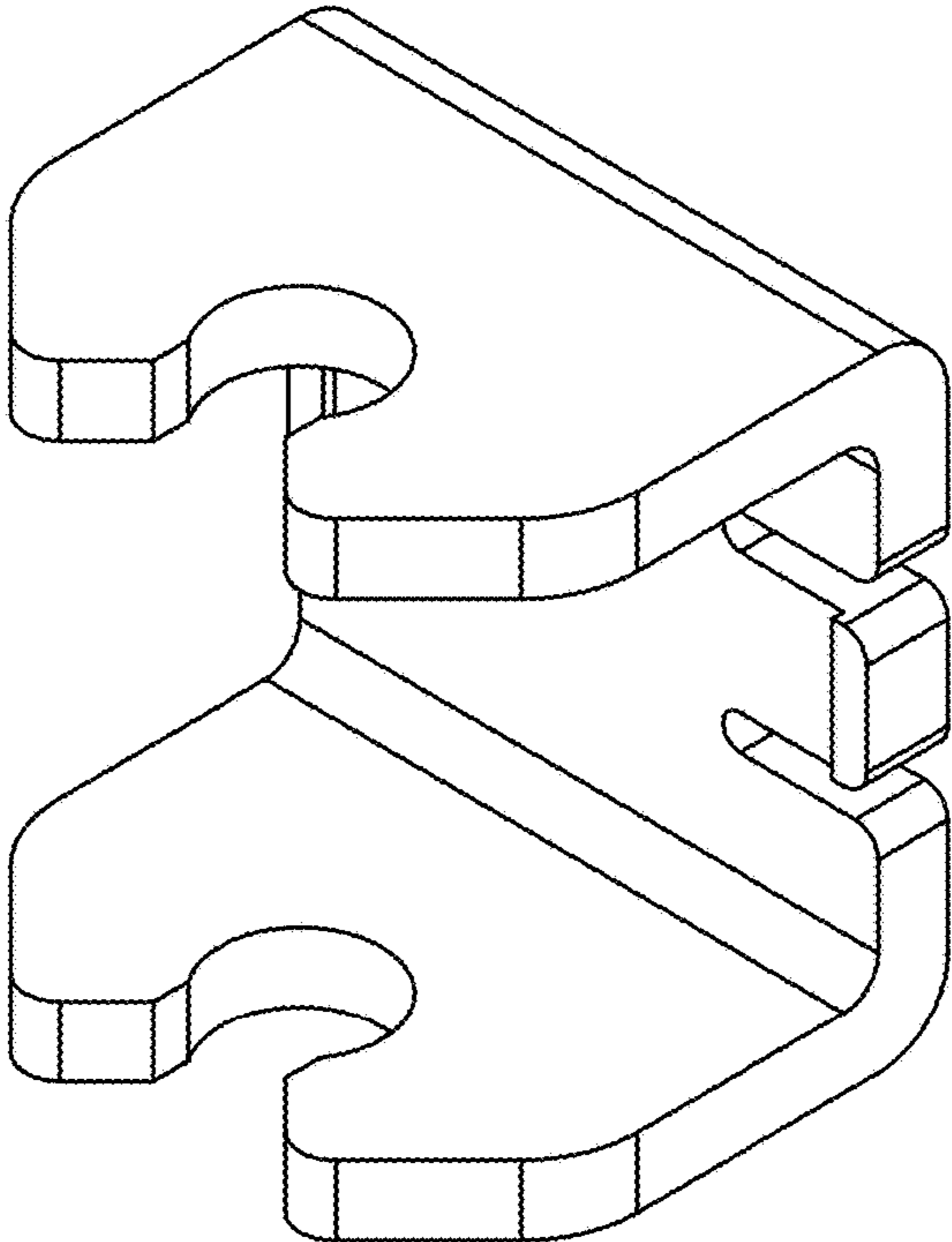


FIG. 1

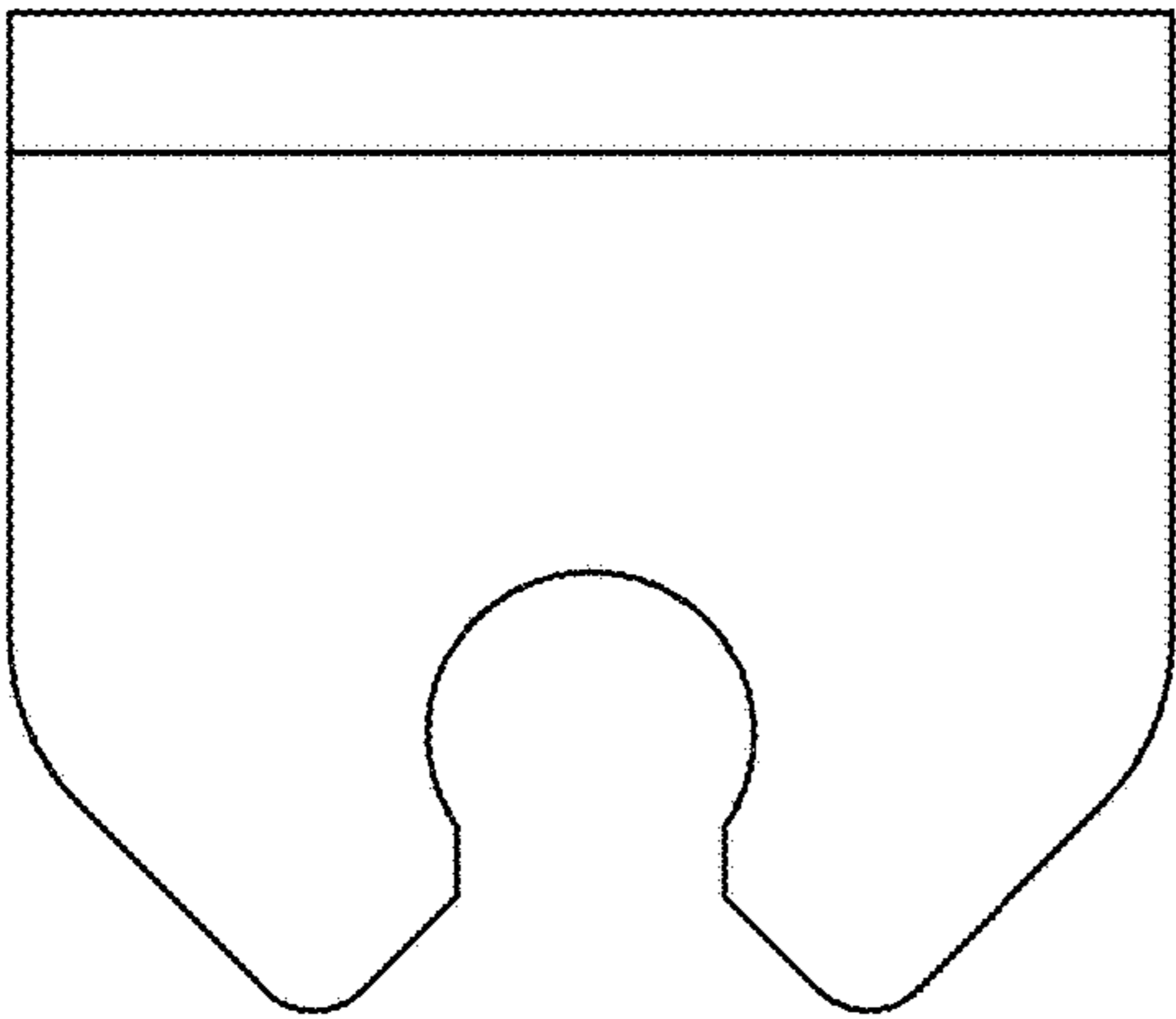


FIG. 2

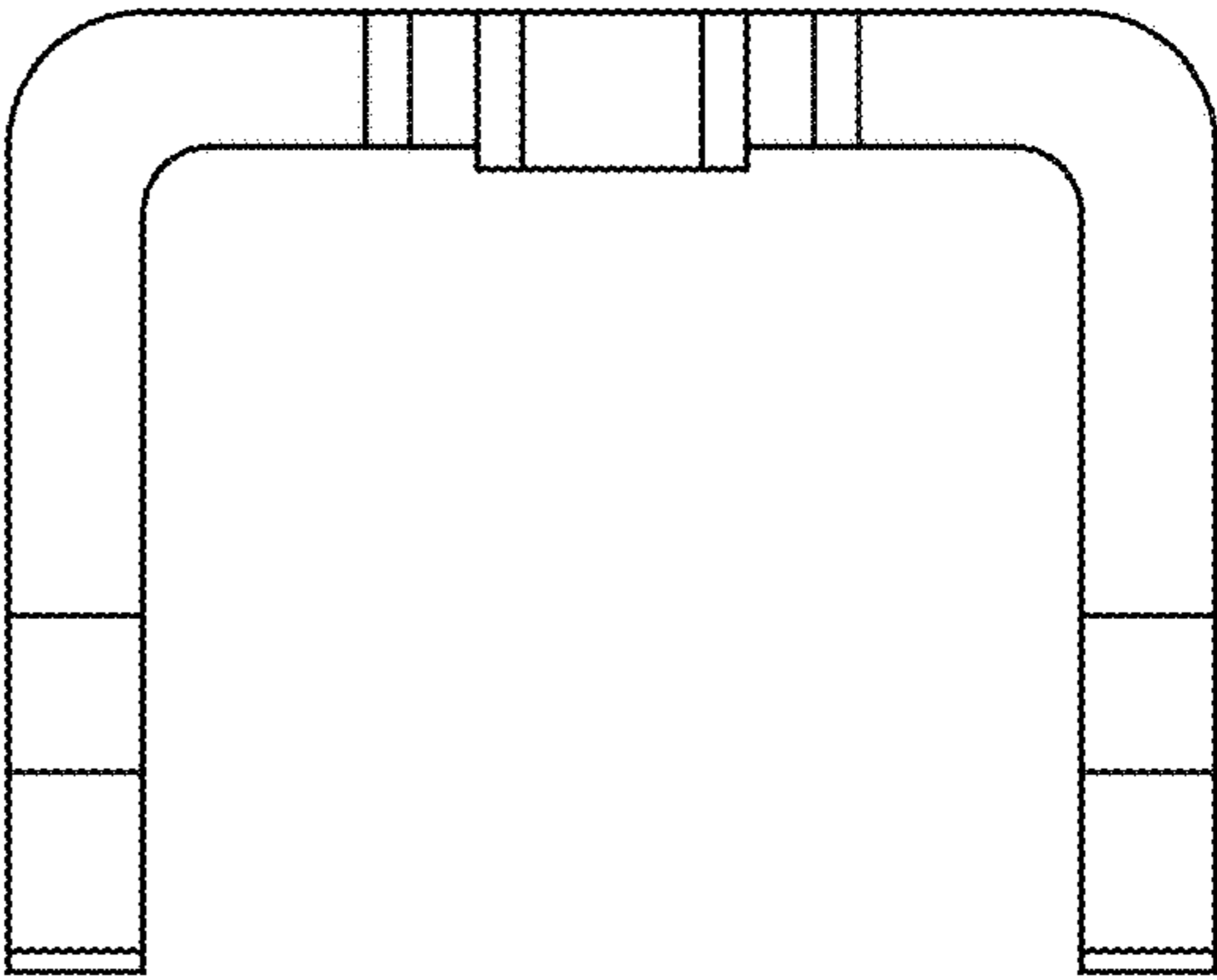


FIG. 3

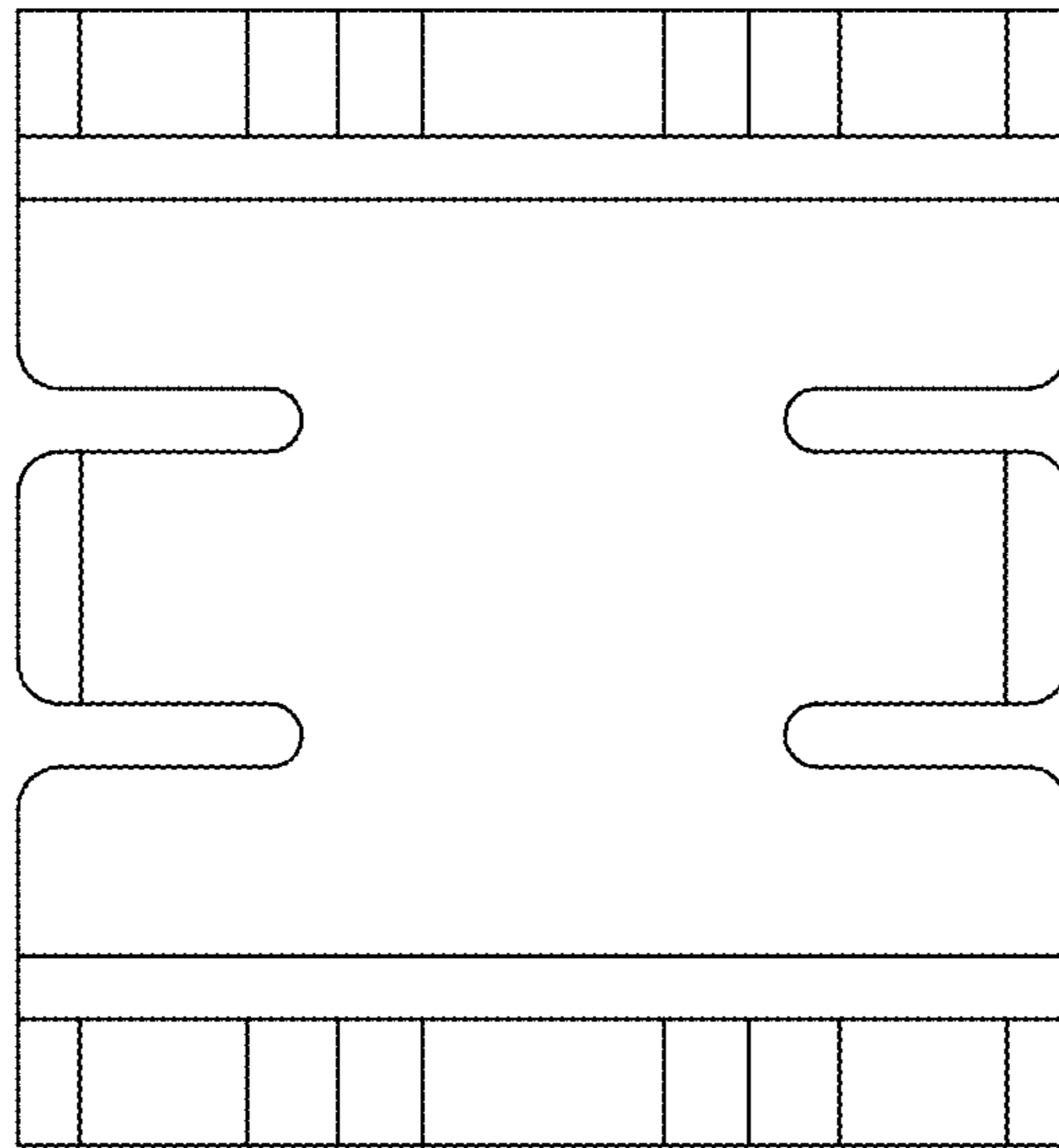


FIG. 4

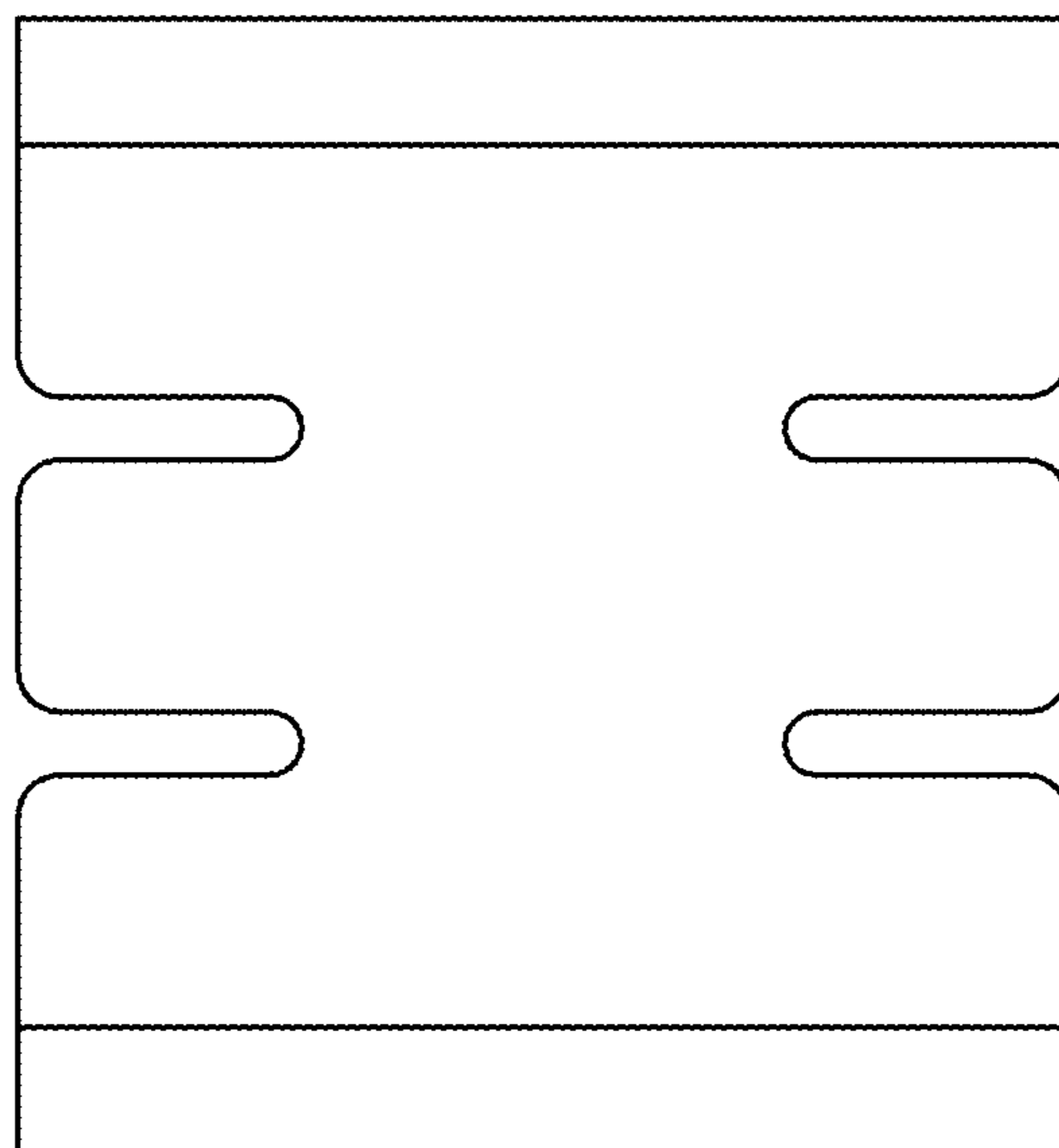


FIG. 5

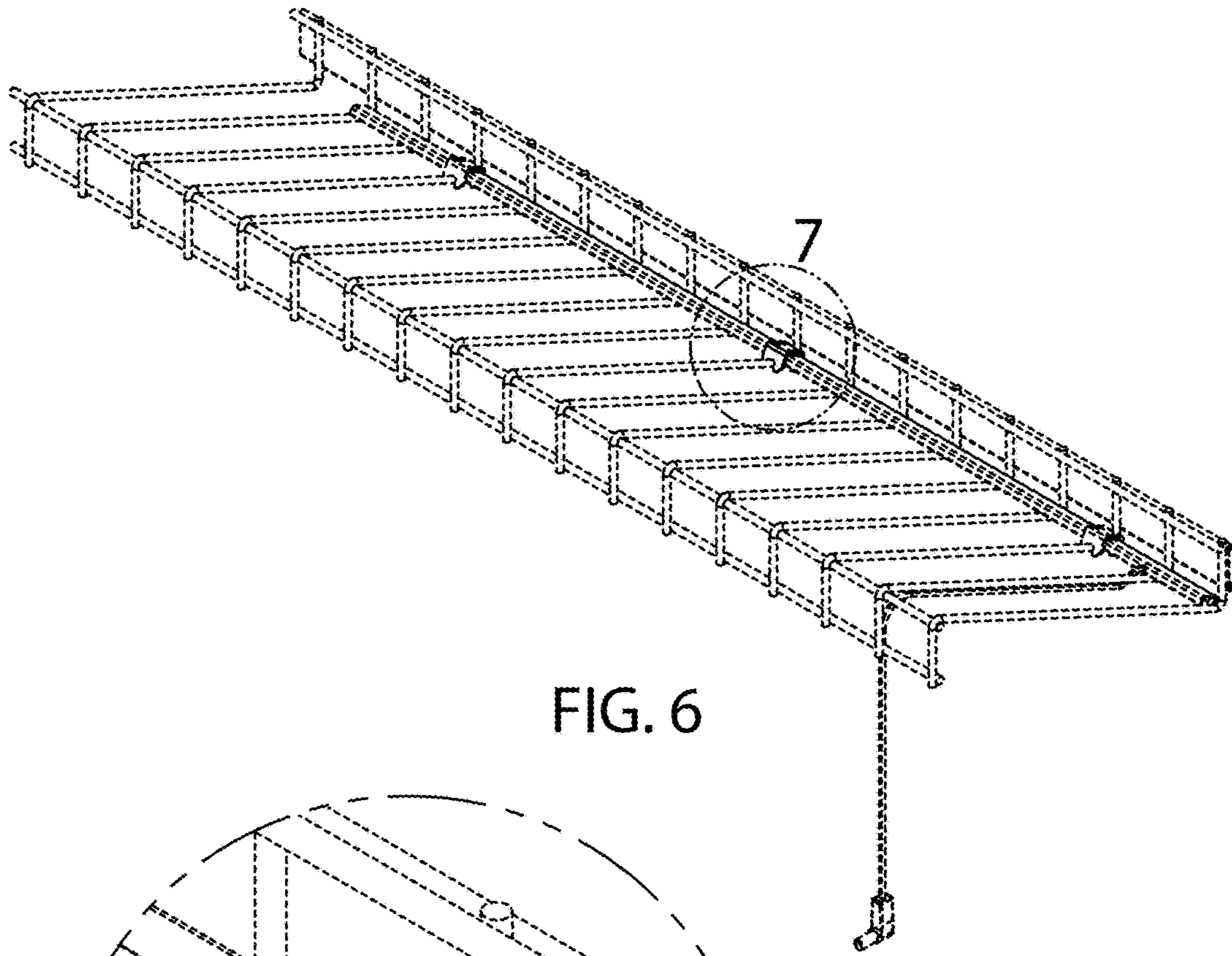


FIG. 6

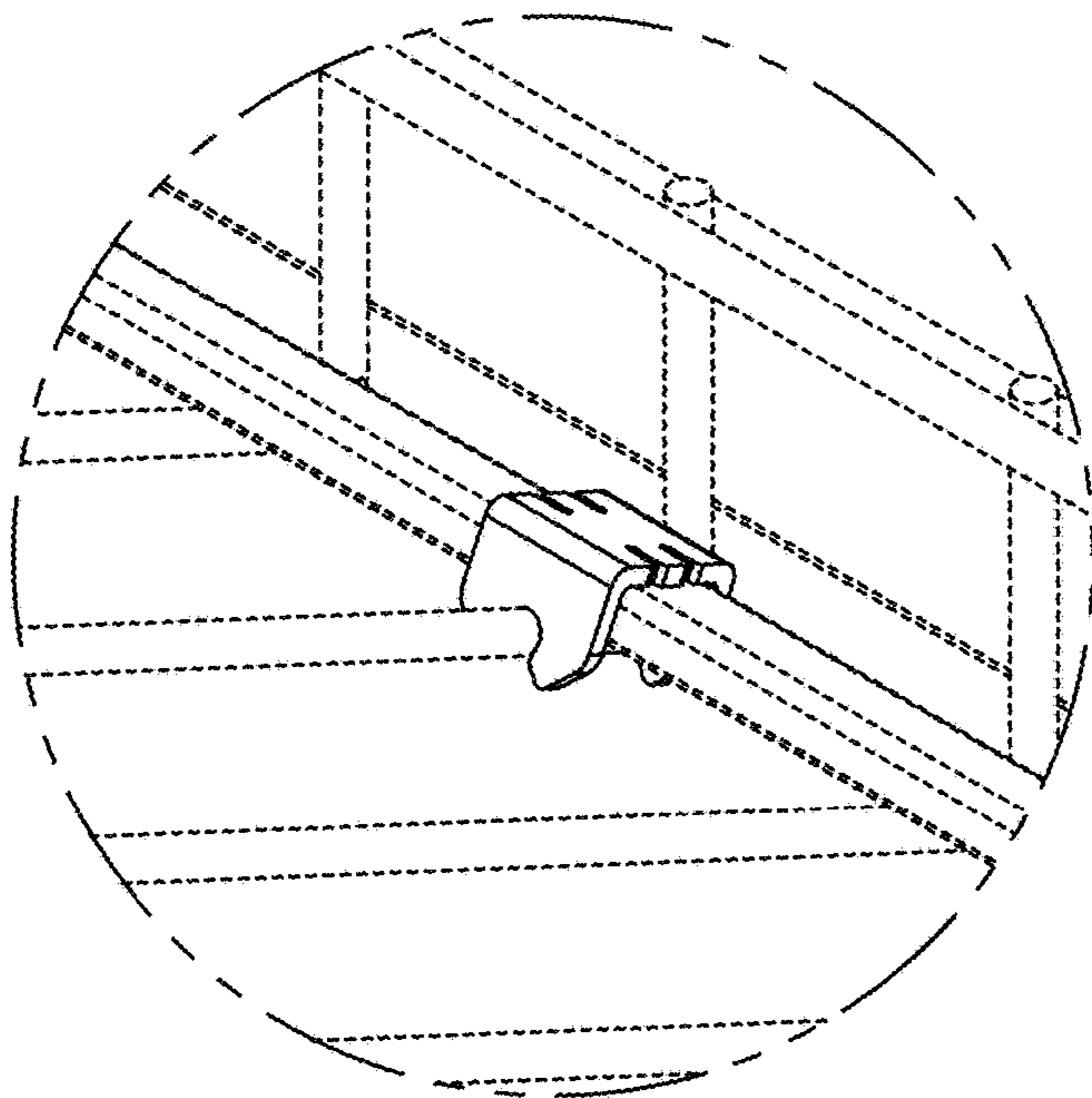


FIG. 7