



US00D782291S

(12) **United States Design Patent** (10) **Patent No.:** **US D782,291 S**
Bach (45) **Date of Patent:** **** Mar. 28, 2017**

(54) **TOOL FOR EXPANDED CELL CONFINEMENT STRUCTURE**
(71) Applicant: **Reynolds Presto Products Inc.**,
Richmond, VA (US)
(72) Inventor: **Gary Michael Bach**, Appleton, WI
(US)
(73) Assignee: **Reynolds Presto Products Inc.**, Lake
Forest, IL (US)

6,484,473 B1 11/2002 Hall
D485,159 S * 1/2004 Junkers D8/382
D492,575 S * 7/2004 Carroll D8/354
D522,849 S * 6/2006 Dick D8/354
D531,890 S * 11/2006 Bentrim D8/382
7,544,010 B2 6/2009 Restrepo et al.
8,092,122 B2 1/2012 Senf et al.
D708,680 S * 7/2014 Norman D21/503
D711,975 S * 8/2014 Norman D21/486
D712,727 S * 9/2014 Geiger D8/382
D731,266 S * 6/2015 Bach D8/1

(Continued)

(**) Term: **14 Years**

OTHER PUBLICATIONS

(21) Appl. No.: **29/516,595**

US 5,336,544, 08/1994, Bach et al. (withdrawn)
International Search Report and Written Opinion for Application
No. PCT/US2014/011080 mailed Nov. 25, 2014.

(22) Filed: **Feb. 4, 2015**

Primary Examiner — Sheryl Lane

(74) *Attorney, Agent, or Firm* — Merchant & Gould P.C.

Related U.S. Application Data

(62) Division of application No. 29/443,714, filed on Jan.
22, 2013, now Pat. No. Des. 731,266.

(51) **LOC (10) Cl.** **08-08**

(52) **U.S. Cl.**
USPC **D8/382**

(58) **Field of Classification Search**
USPC D8/382, 349, 354; 405/302.4, 302.6;
D21/503, 486

See application file for complete search history.

(57) **CLAIM**

The ornamental design for tool for expanded cell confine-
ment structure, as shown and described.

DESCRIPTION

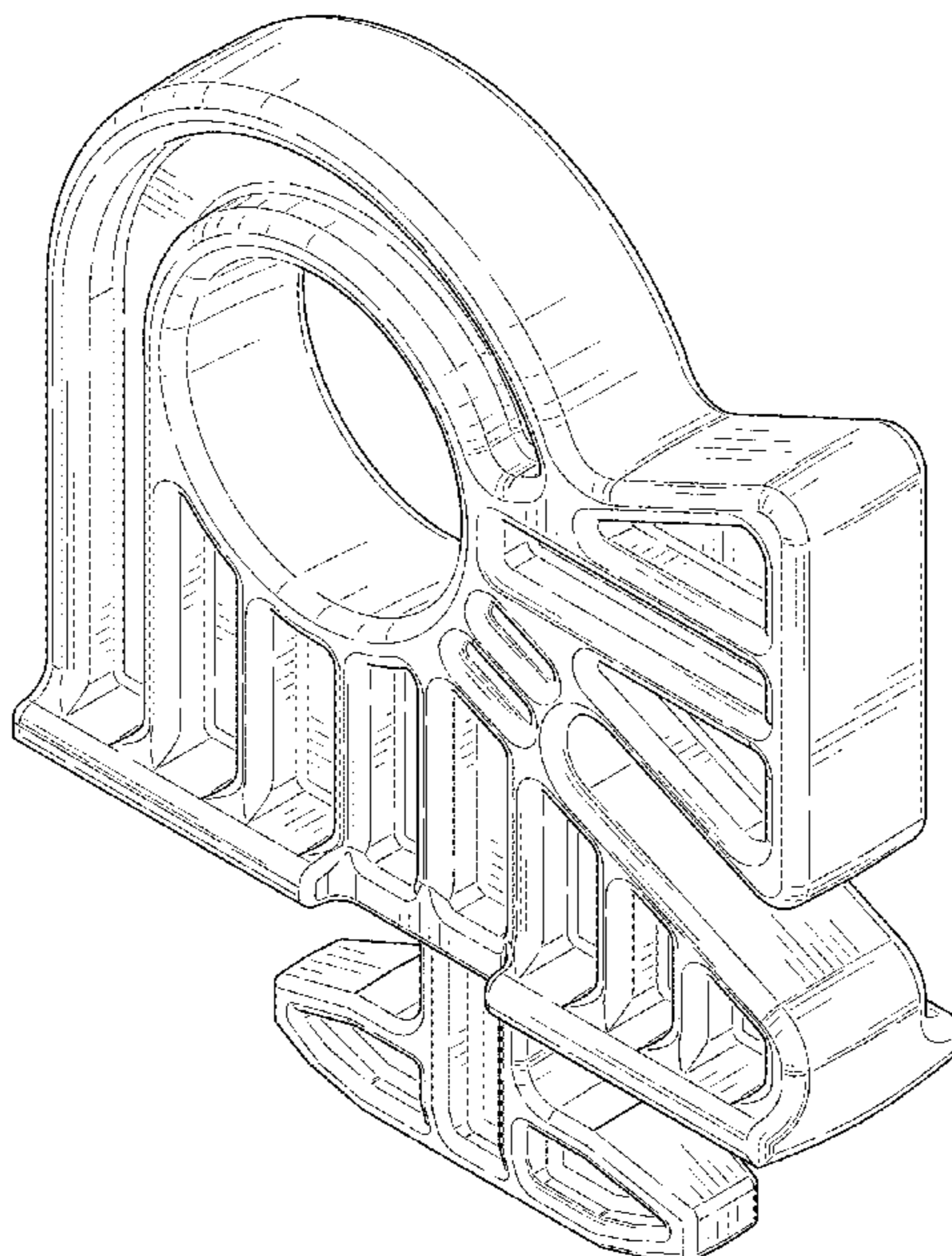
FIG. 1 is a perspective view of an embodiment of a device
according to my new design;
FIG. 2 is a front view thereof;
FIG. 3 is a rear view thereof, the portions shown in broken
lines forming no part of the claimed design;
FIG. 4 is a right side view thereof;
FIG. 5 is a left side view thereof;
FIG. 6 is a top view thereof; and,
FIG. 7 is a bottom view thereof.
The broken lines represent portions of the article and form
no part of the claimed design.

(56) **References Cited**

U.S. PATENT DOCUMENTS

1,455,636 A 5/1923 McConnal
4,778,309 A 10/1988 Bach et al.
4,965,097 A 10/1990 Bach
5,449,543 A 9/1995 Bach et al.
D407,301 S * 3/1999 Donalies D34/35
5,927,906 A 7/1999 Bach et al.
6,395,372 B1 5/2002 Bach

1 Claim, 5 Drawing Sheets



(56)

References Cited

U.S. PATENT DOCUMENTS

2008/0213521 A1 9/2008 Halahmi et al.
2011/0217117 A1 9/2011 Halahmi et al.
2014/0205790 A1* 7/2014 Bach E02D 17/20
428/99
2015/0260206 A1* 9/2015 Acerra A63H 33/084
403/364

* cited by examiner

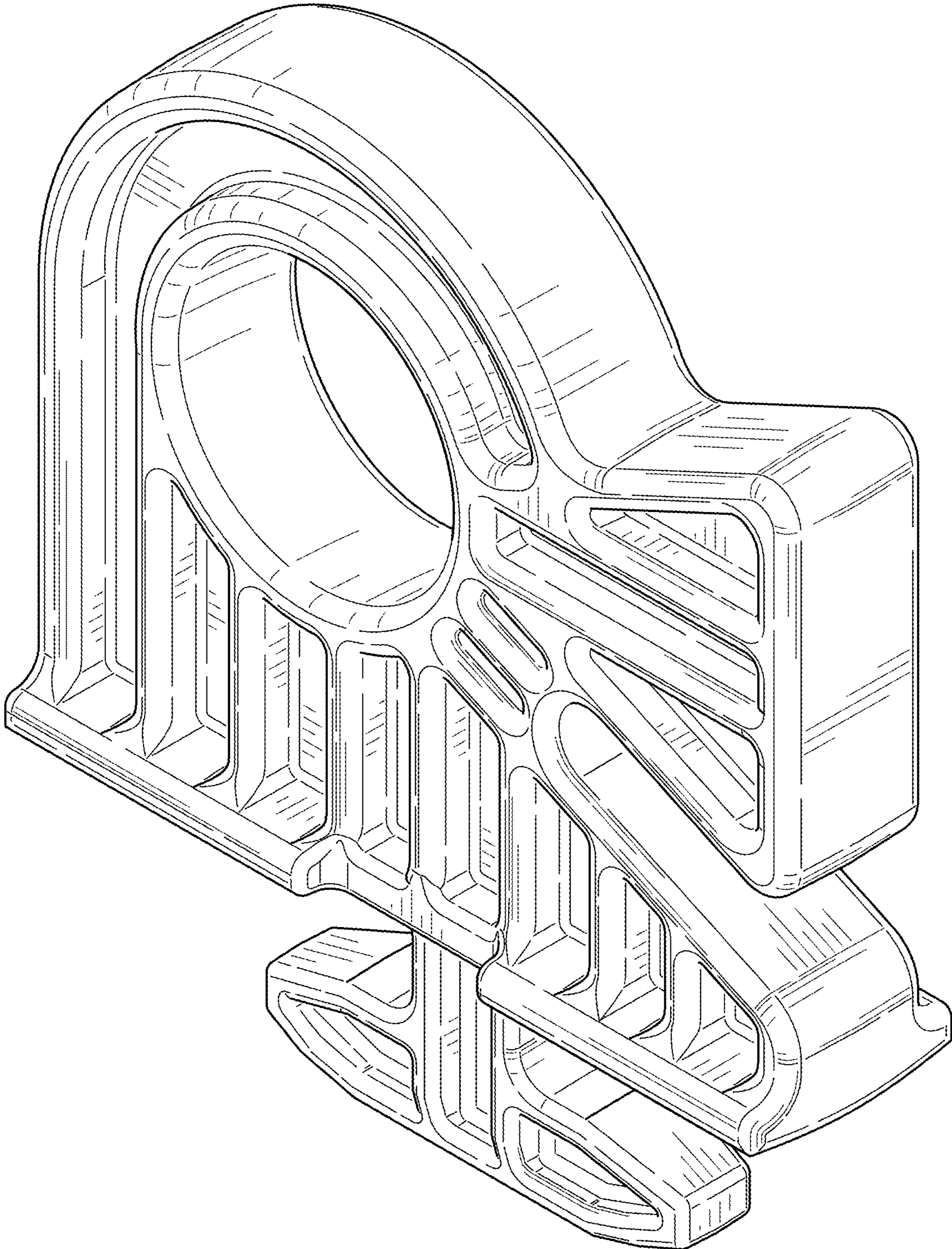


FIG. 1

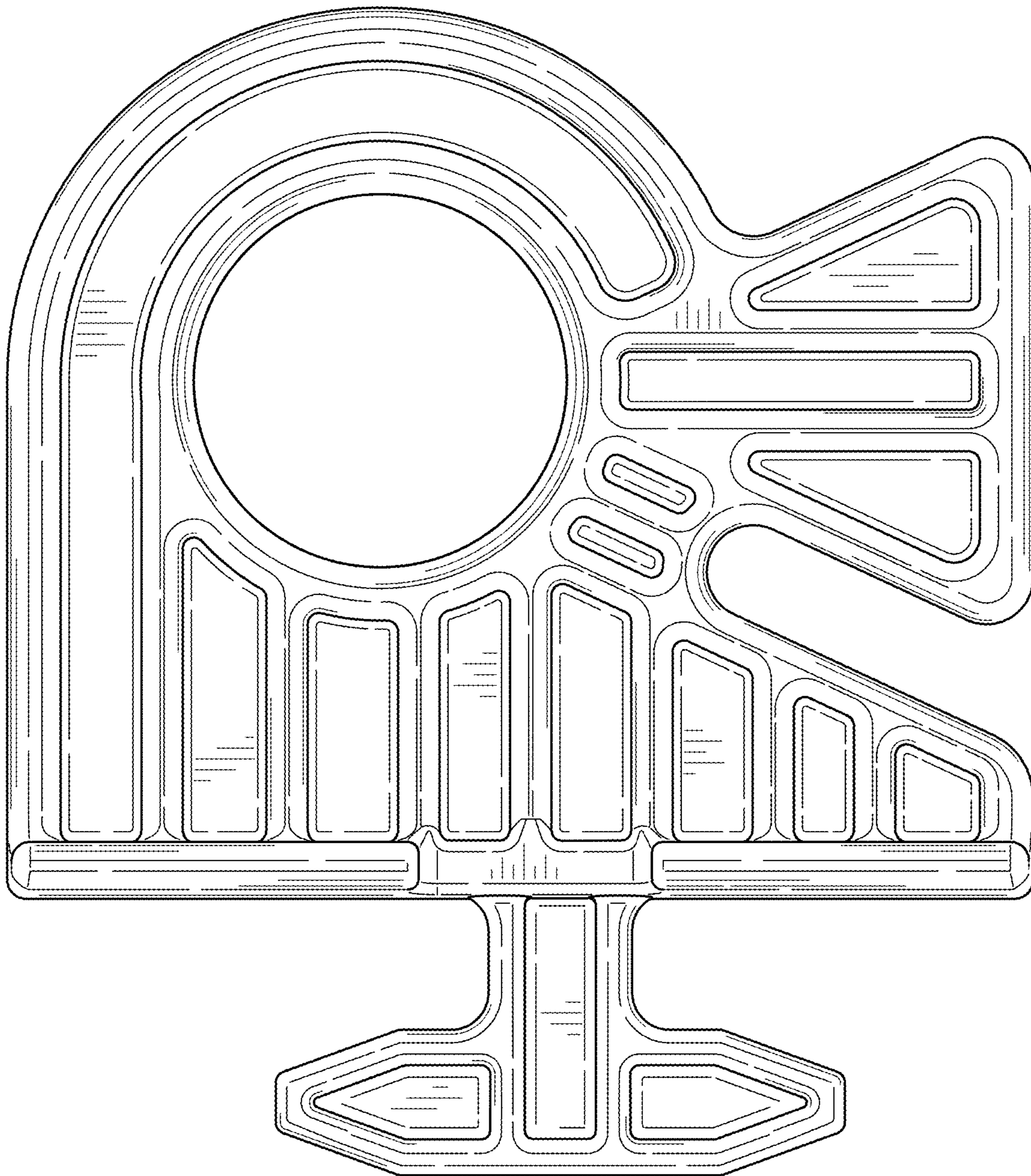


FIG. 2

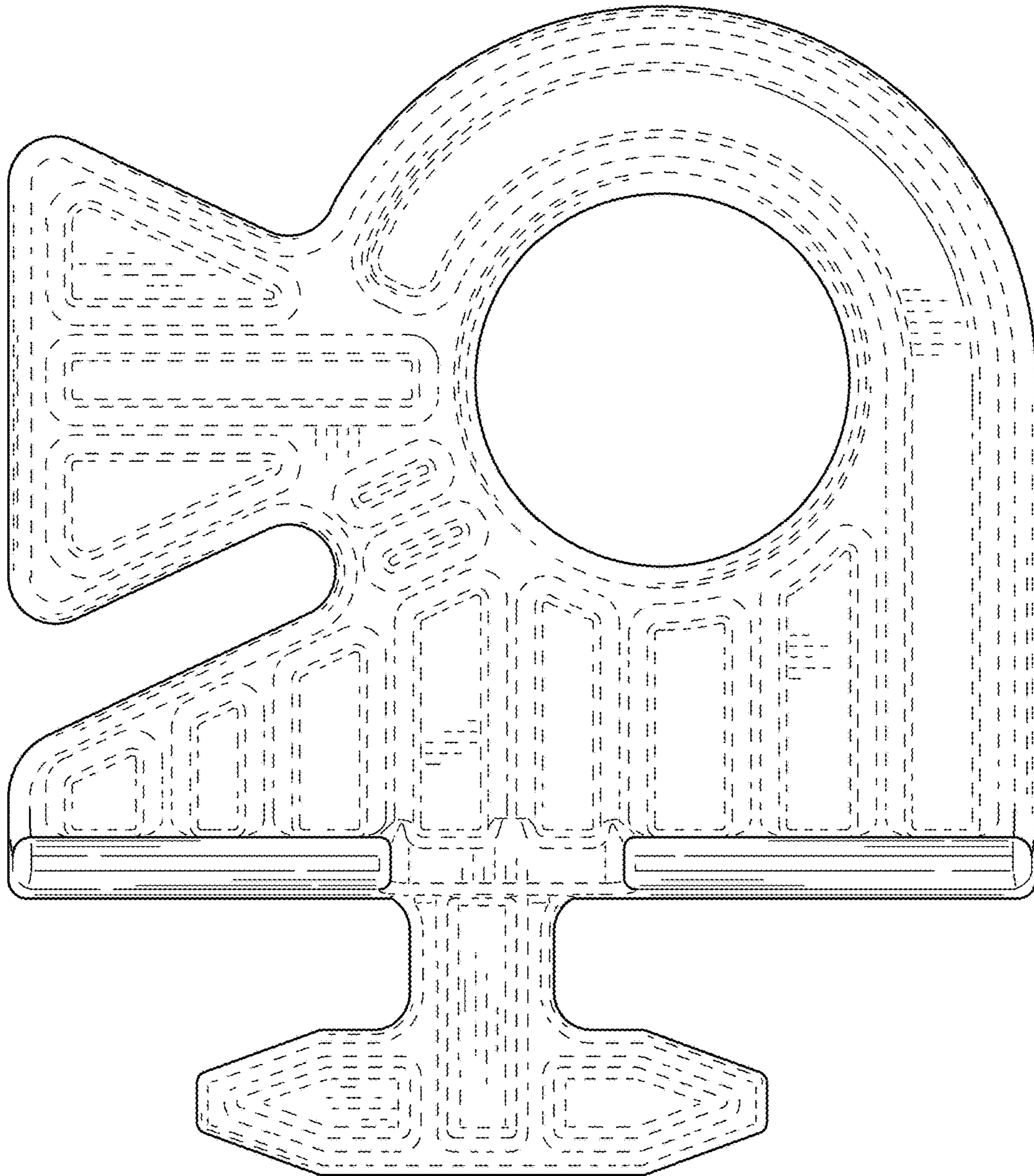


FIG. 3

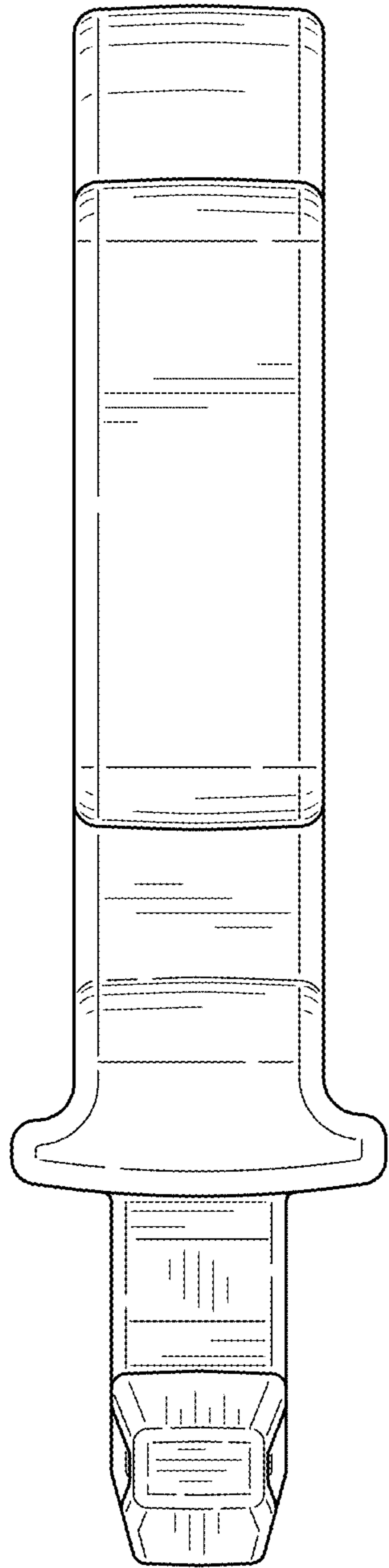


FIG. 4

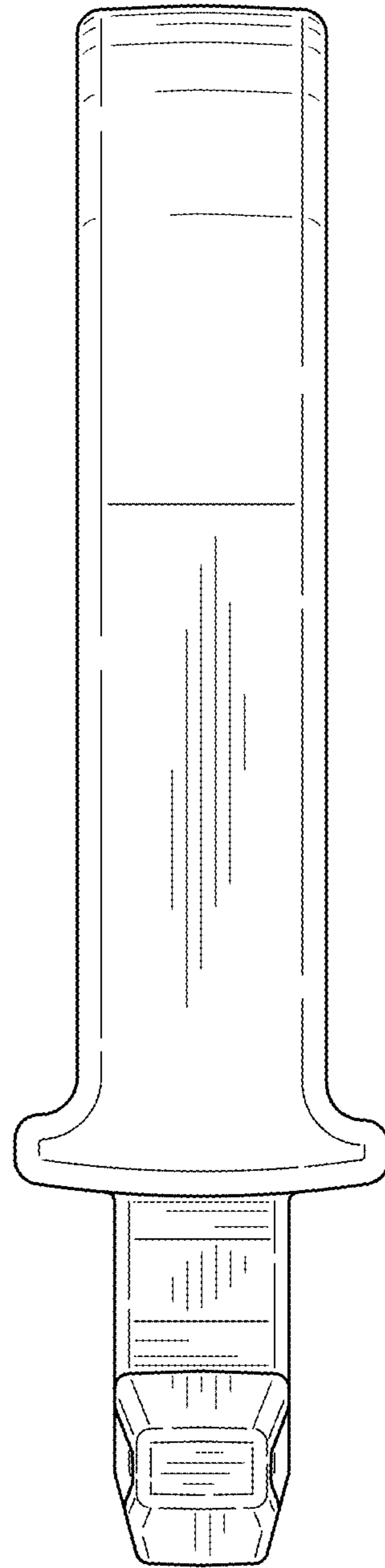


FIG. 5

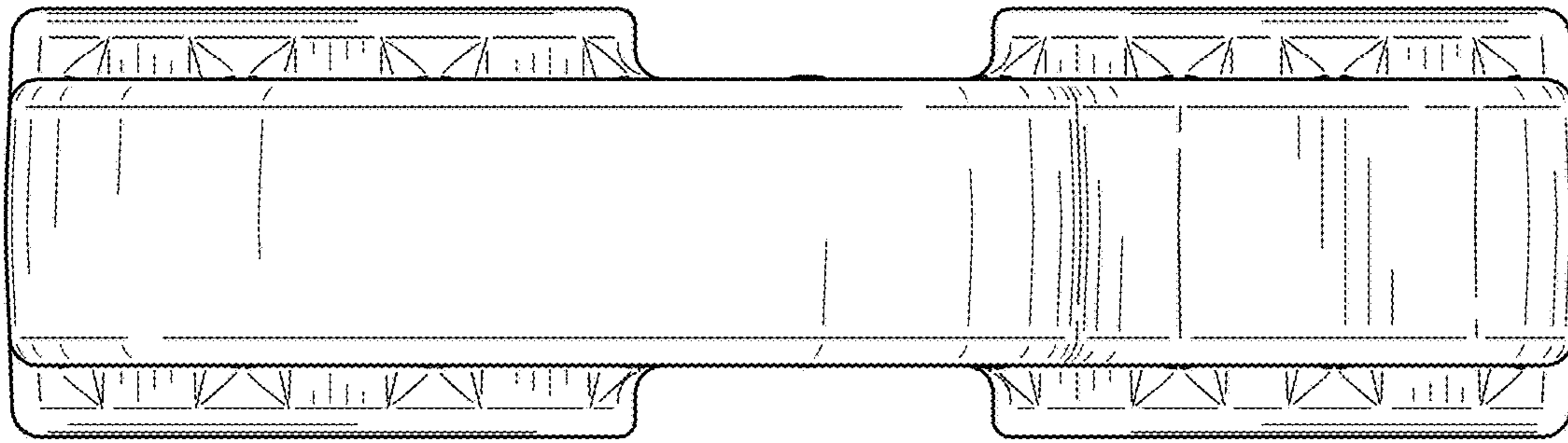


FIG. 6

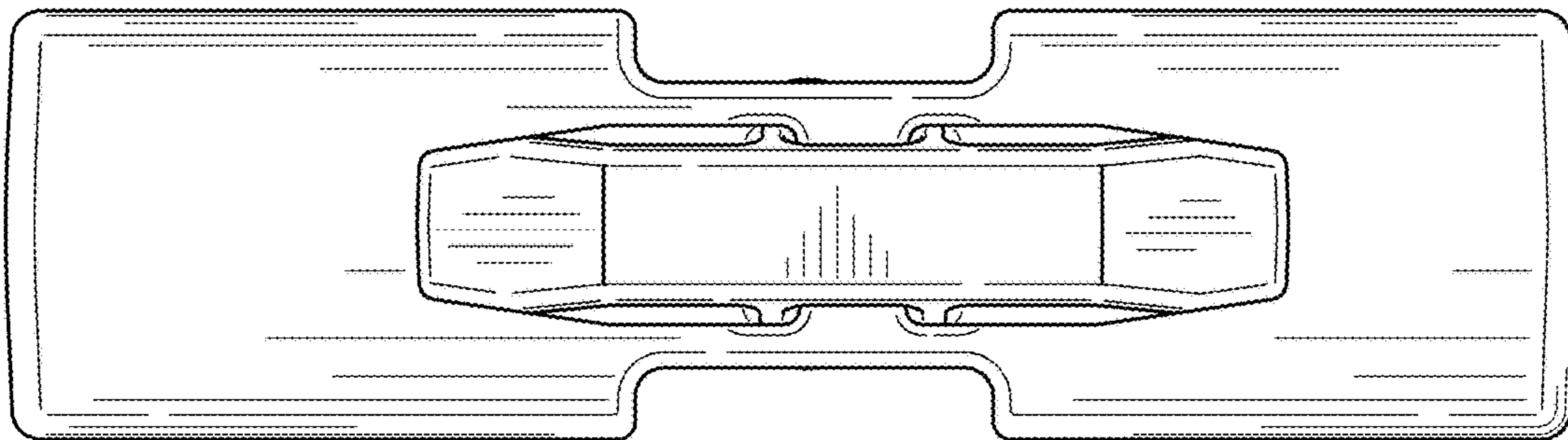


FIG. 7