



US00D782290S

(12) **United States Design Patent** (10) **Patent No.:** **US D782,290 S**
Darby (45) **Date of Patent:** **** Mar. 28, 2017**

(54) **AIR CONDITIONING WINDOW UNIT CLAMP**

(71) Applicant: **Nation Wide Products LLC**, Abilene, TX (US)

(72) Inventor: **Jason Darby**, Abilene, TX (US)

(73) Assignee: **Nation Wide Products LLC**, Abilene, TX (US)

(**) Term: **15 Years**

(21) Appl. No.: **29/564,258**

(22) Filed: **May 11, 2016**

(51) **LOC (10) Cl.** **08-05**

(52) **U.S. Cl.**
USPC **D8/381**

(58) **Field of Classification Search**
USPC D8/380, 381, 349, 366, 382, 394
CPC F24F 13/32; E05C 19/188
See application file for complete search history.

(56) **References Cited**

U.S. PATENT DOCUMENTS

D704,834 S *	5/2014	Bacon	D24/128
D705,029 S *	5/2014	Gangakhedkar	D8/72
D727,716 S *	4/2015	Langle	D8/355
D735,017 S *	7/2015	Langle	D8/355
D748,197 S *	1/2016	Garfinkle	D20/43
D748,733 S *	2/2016	Garfinkle	D20/43
2015/0322701 A1	11/2015	Smith		

OTHER PUBLICATIONS

AC Clamp. "Way to Secure an Air Conditioner." YouTube (Jun. 24, 2014), <https://www.youtube.com/watch?v=nC0c-diptuc>

&feature=youtu.be&t=13s; Screenshot (Last visited Jul. 13, 2016) 1 page.

AC Clamp. "Way to Secure an Air Conditioner." YouTube (Jun. 24, 2014), <https://www.youtube.com/watch?v=nC0c-diptuc> &feature=youtu.be&t=21s; Screenshot (Last visited Jul. 13, 2016) 1 page.

Smart Guard, LLC, "A/C Clamp," Product Brochure 2014, (Publicly available prior to May 11, 2016) 1 page.

* cited by examiner

Primary Examiner — Lakiya Rogers

Assistant Examiner — Harold E Blackwell, II

(74) *Attorney, Agent, or Firm* — Norton Rose Fulbright US LLP

(57) **CLAIM**

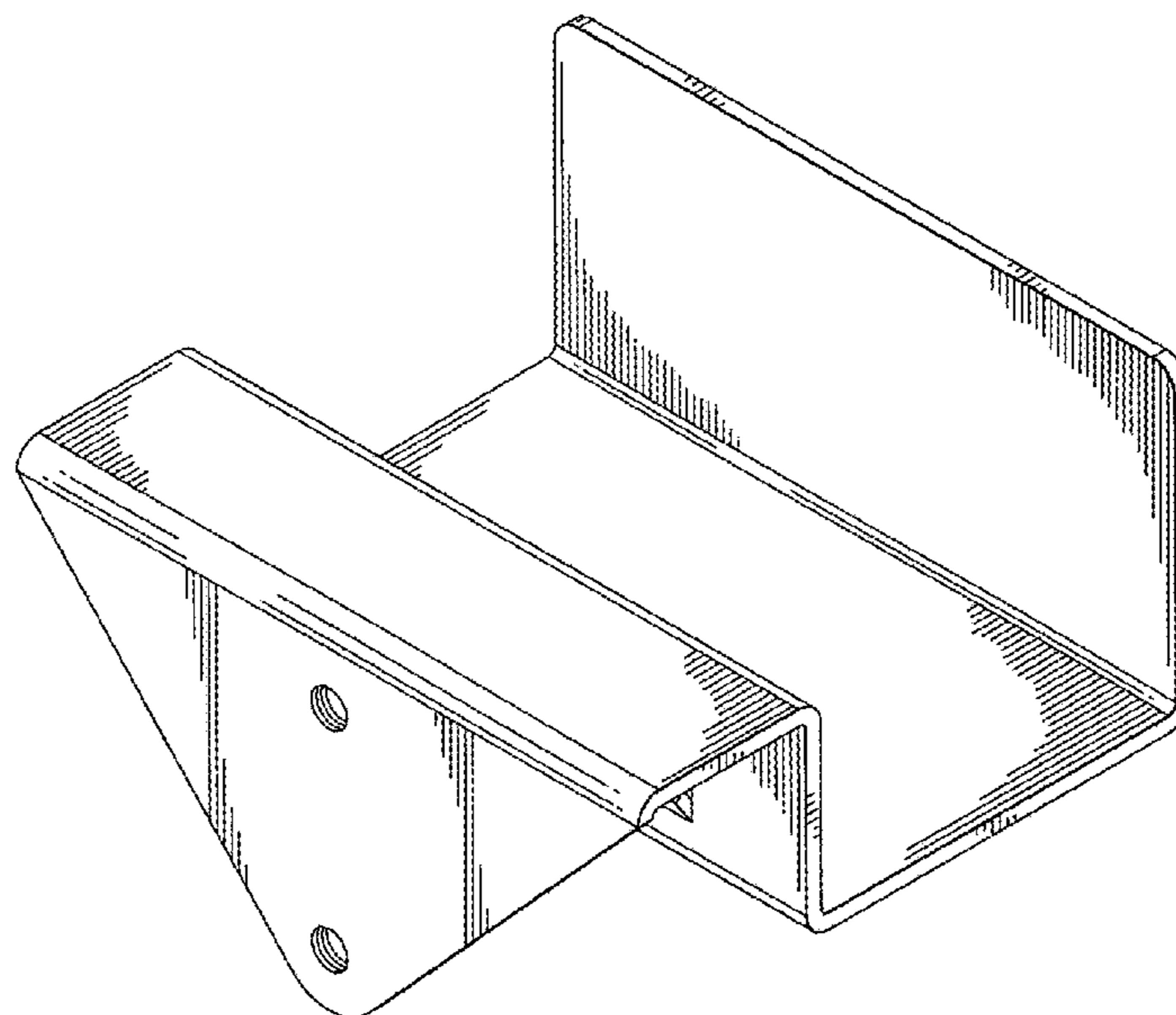
The ornamental design for an air conditioning window unit clamp, as shown and described.

DESCRIPTION

FIG. 1 is a front perspective view of an air conditioning window unit clamp showing our new design; FIG. 2 is a front elevation view thereof; FIG. 3 is a back elevation view thereof; FIG. 4 is a right side elevation view thereof; FIG. 5 is a left side elevation view thereof; FIG. 6 is a top plan view thereof; FIG. 7 is a bottom plan view thereof; FIG. 8 is a bottom perspective view thereof; and, FIG. 9 is an environmental view thereof.

The broken lines shown in the figures represent unclaimed subject matter and form no part of the claimed design.

1 Claim, 6 Drawing Sheets



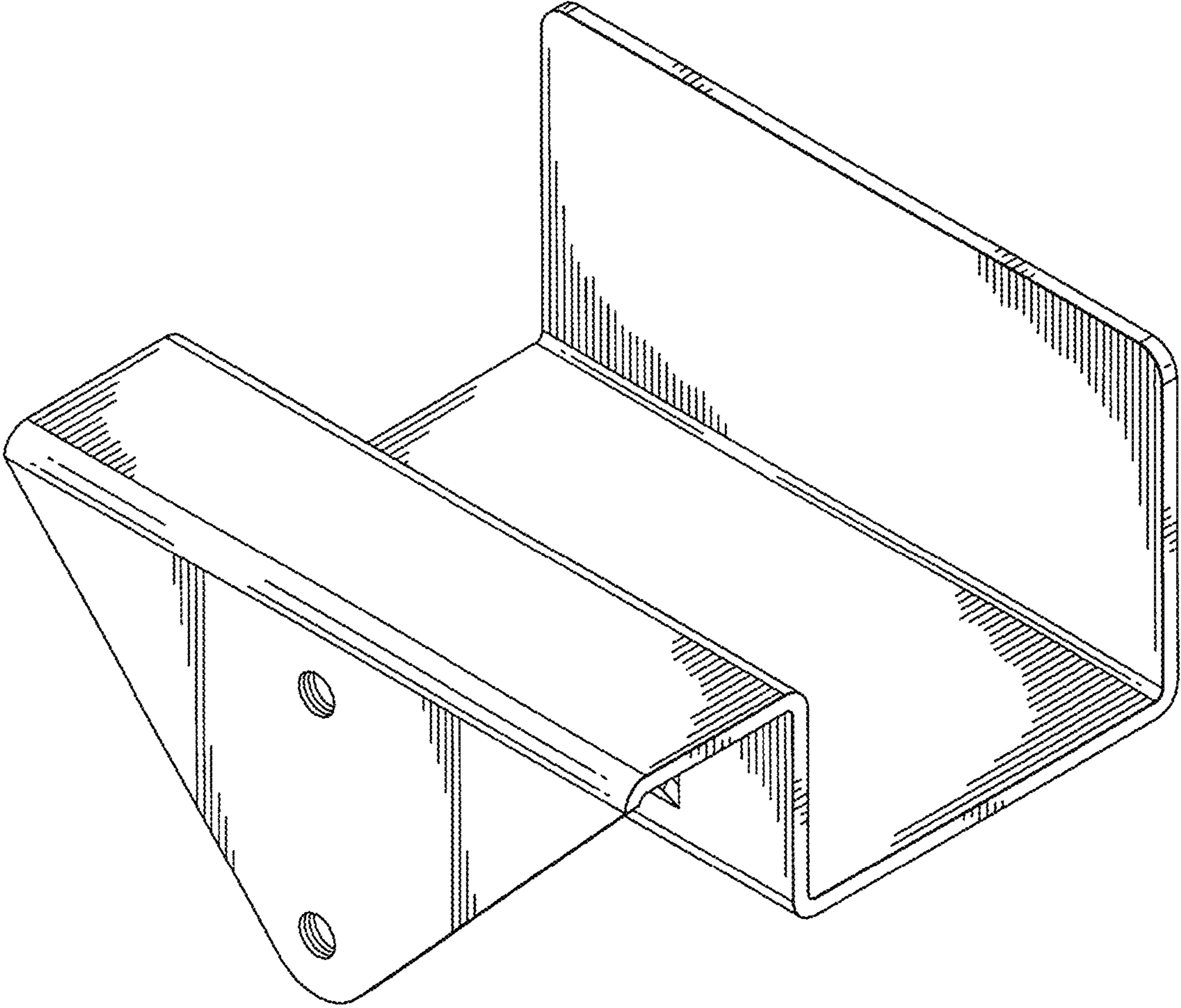


FIG. 1

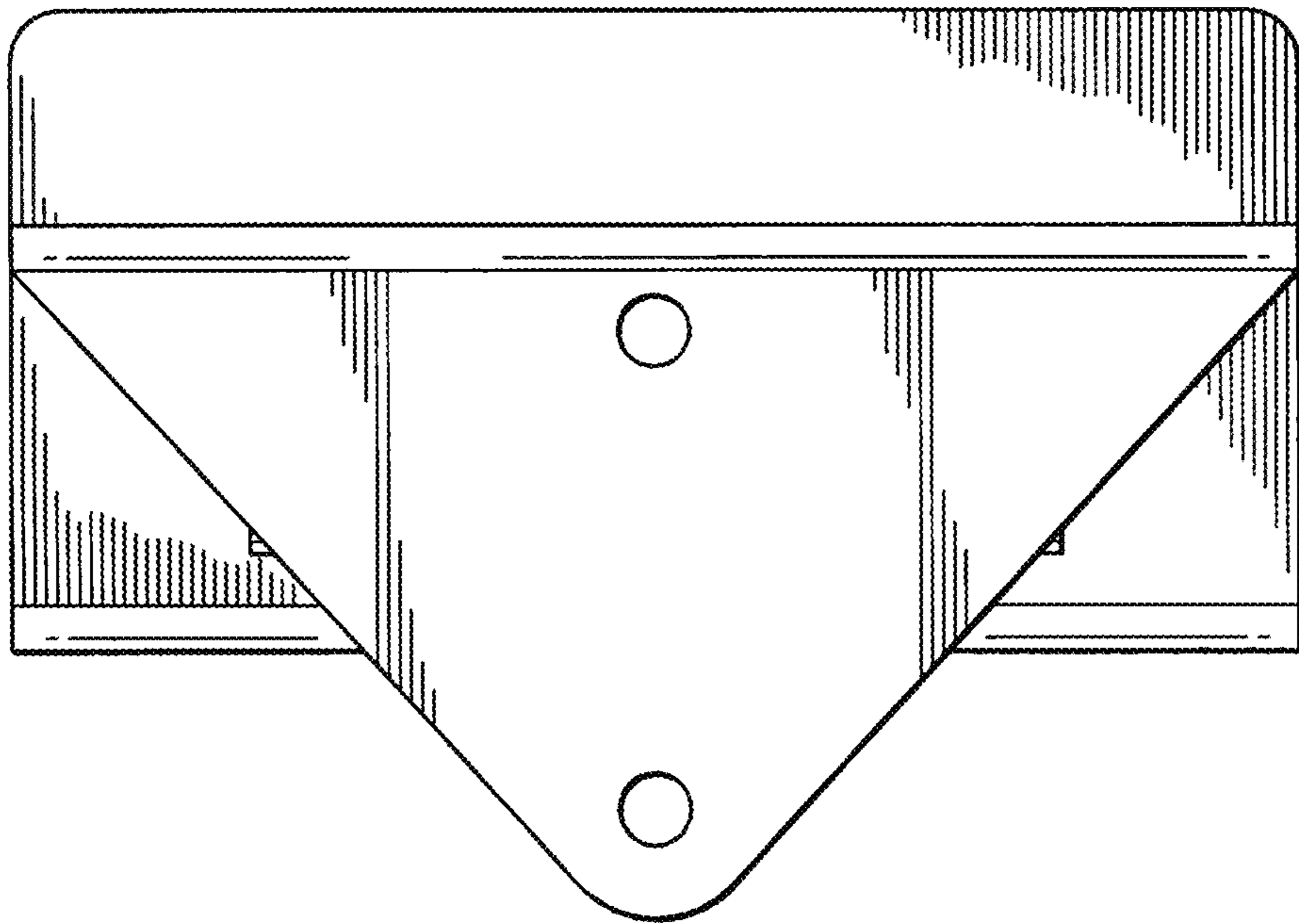


FIG. 2

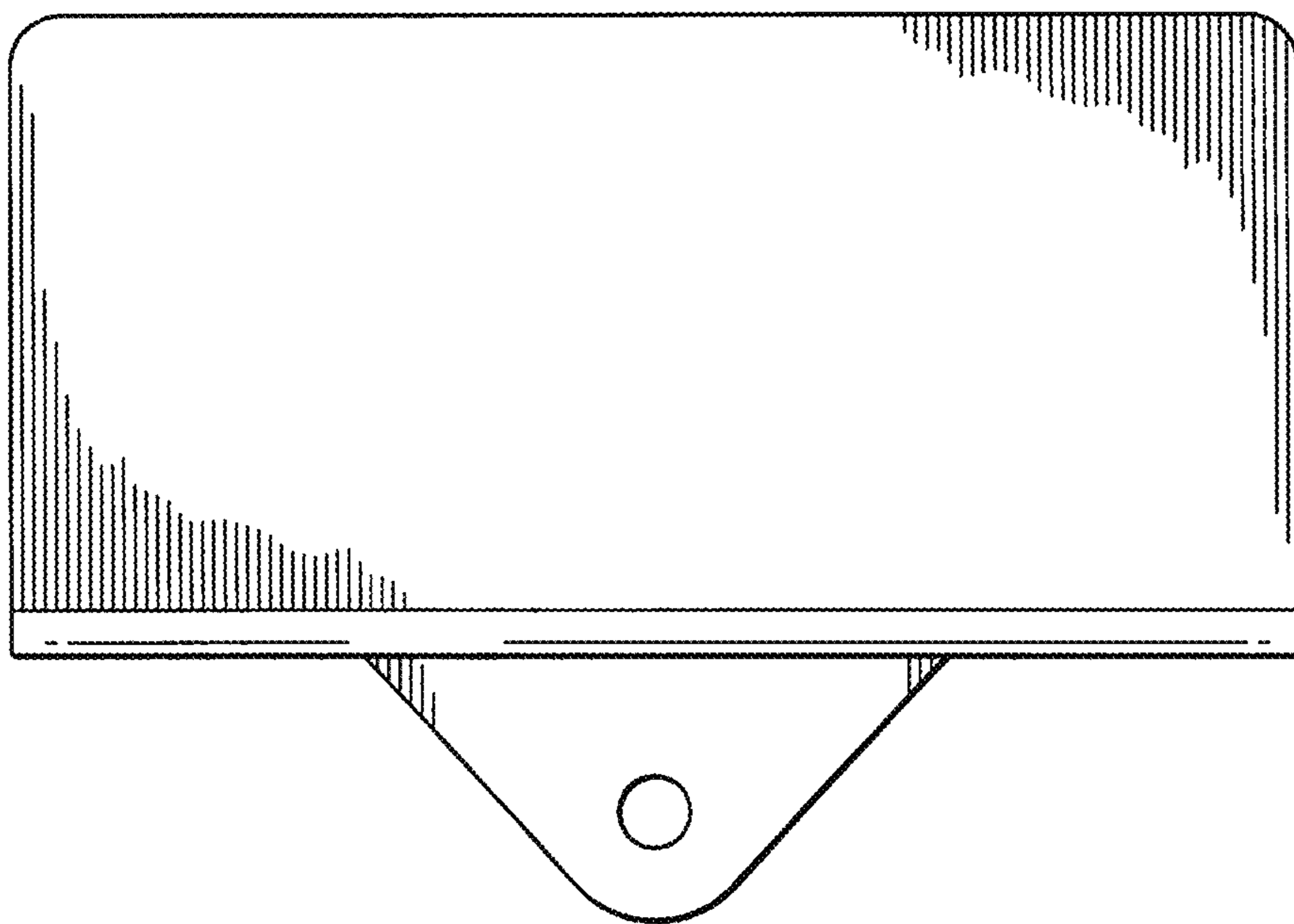


FIG. 3

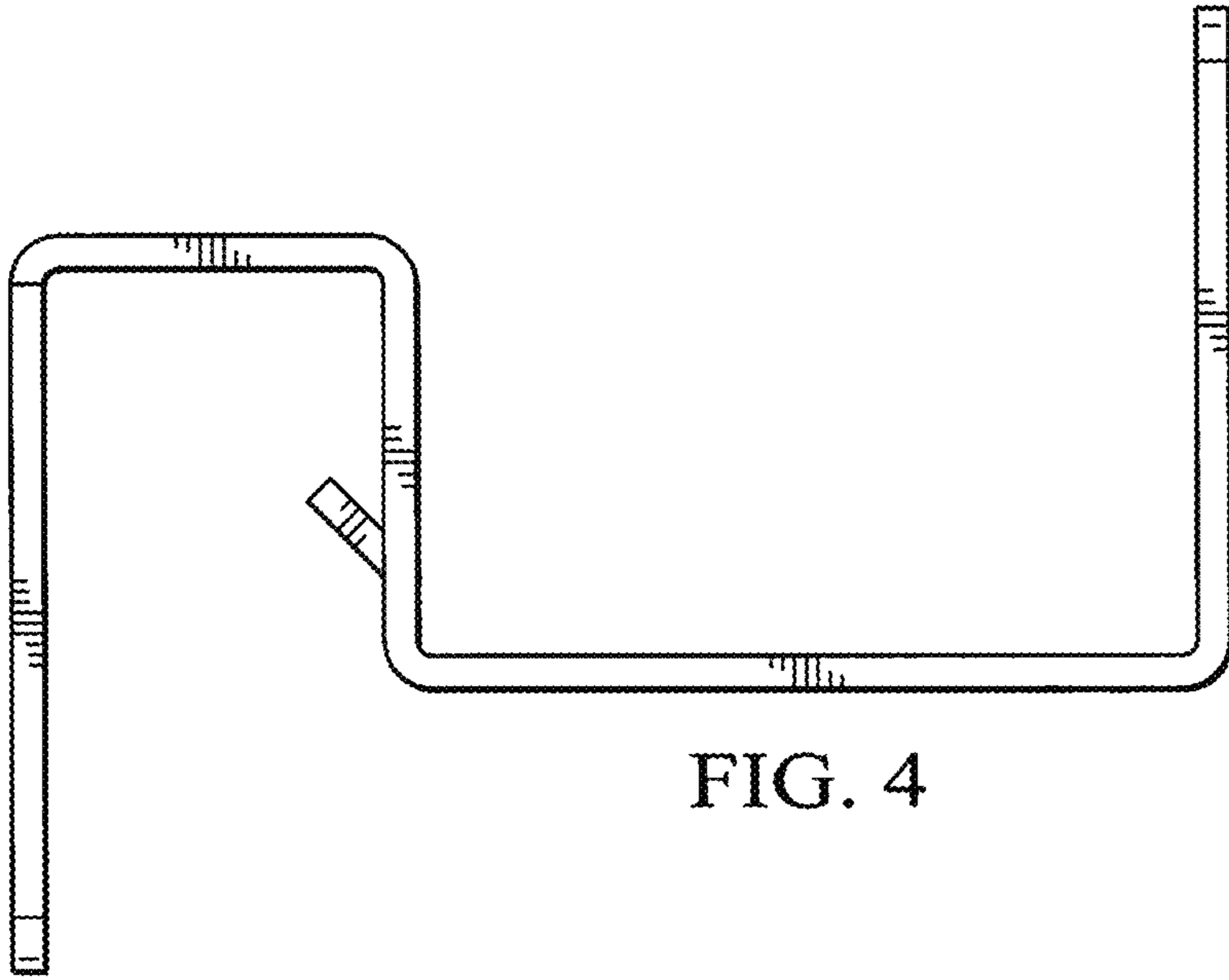


FIG. 4

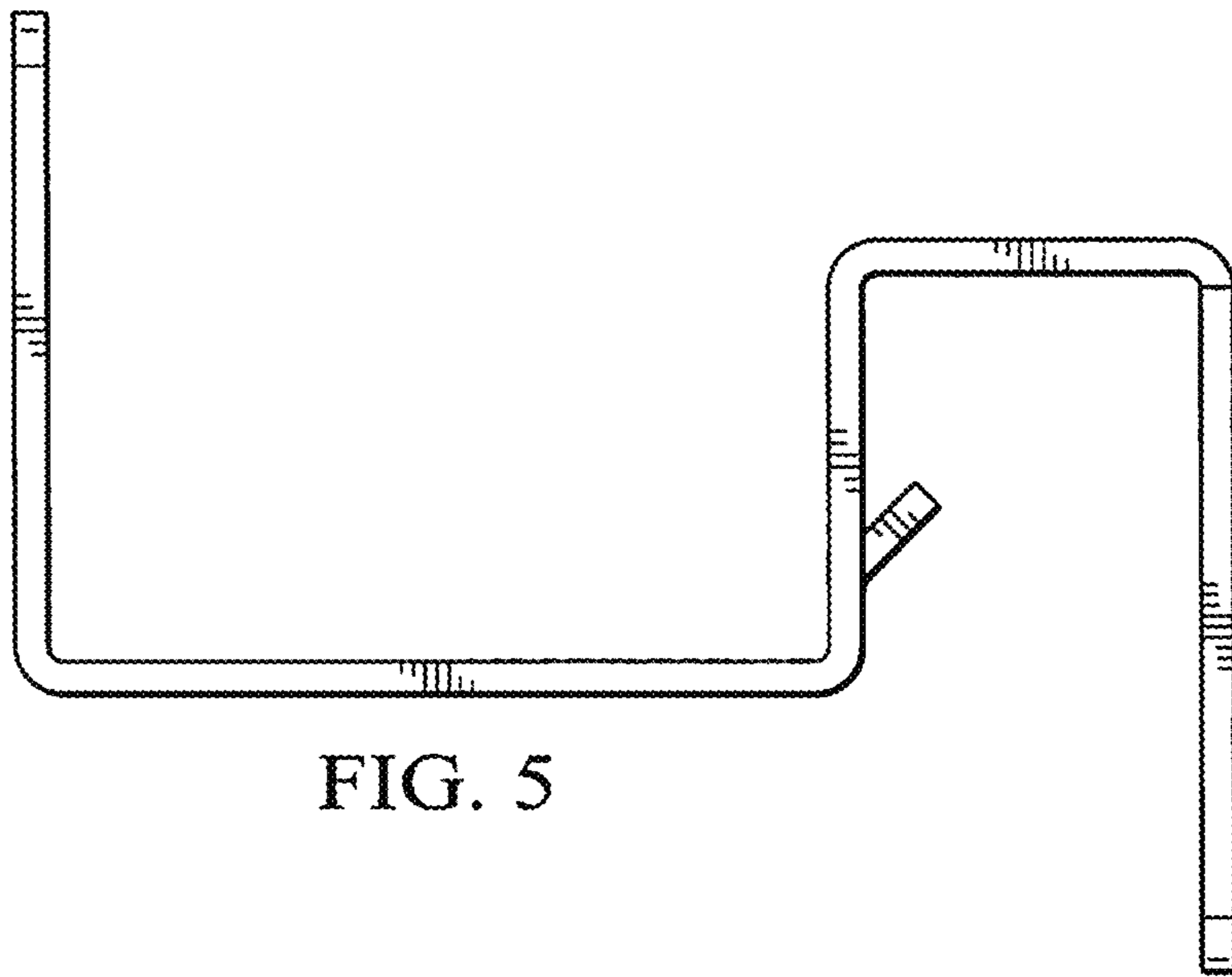


FIG. 5

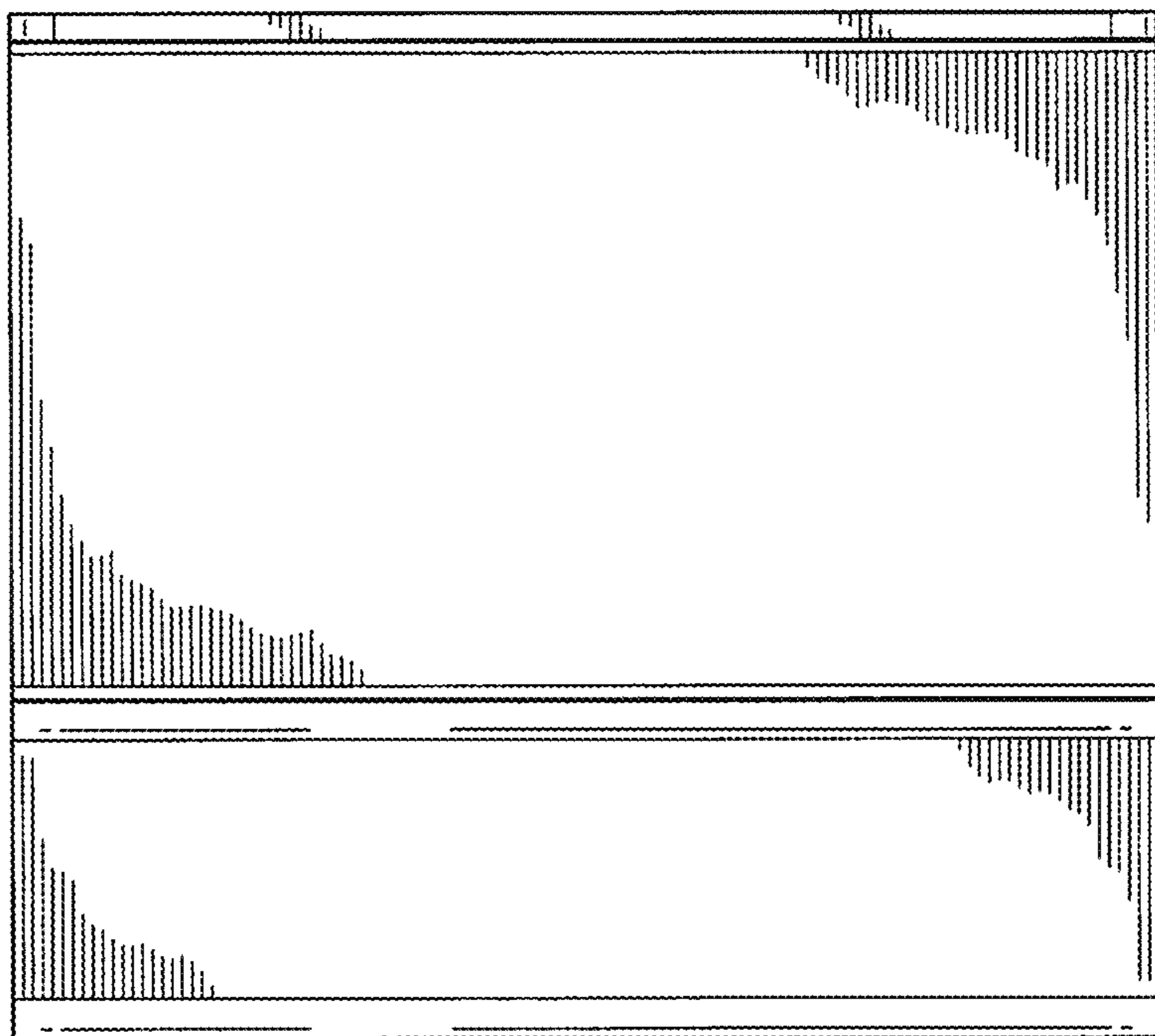


FIG. 6

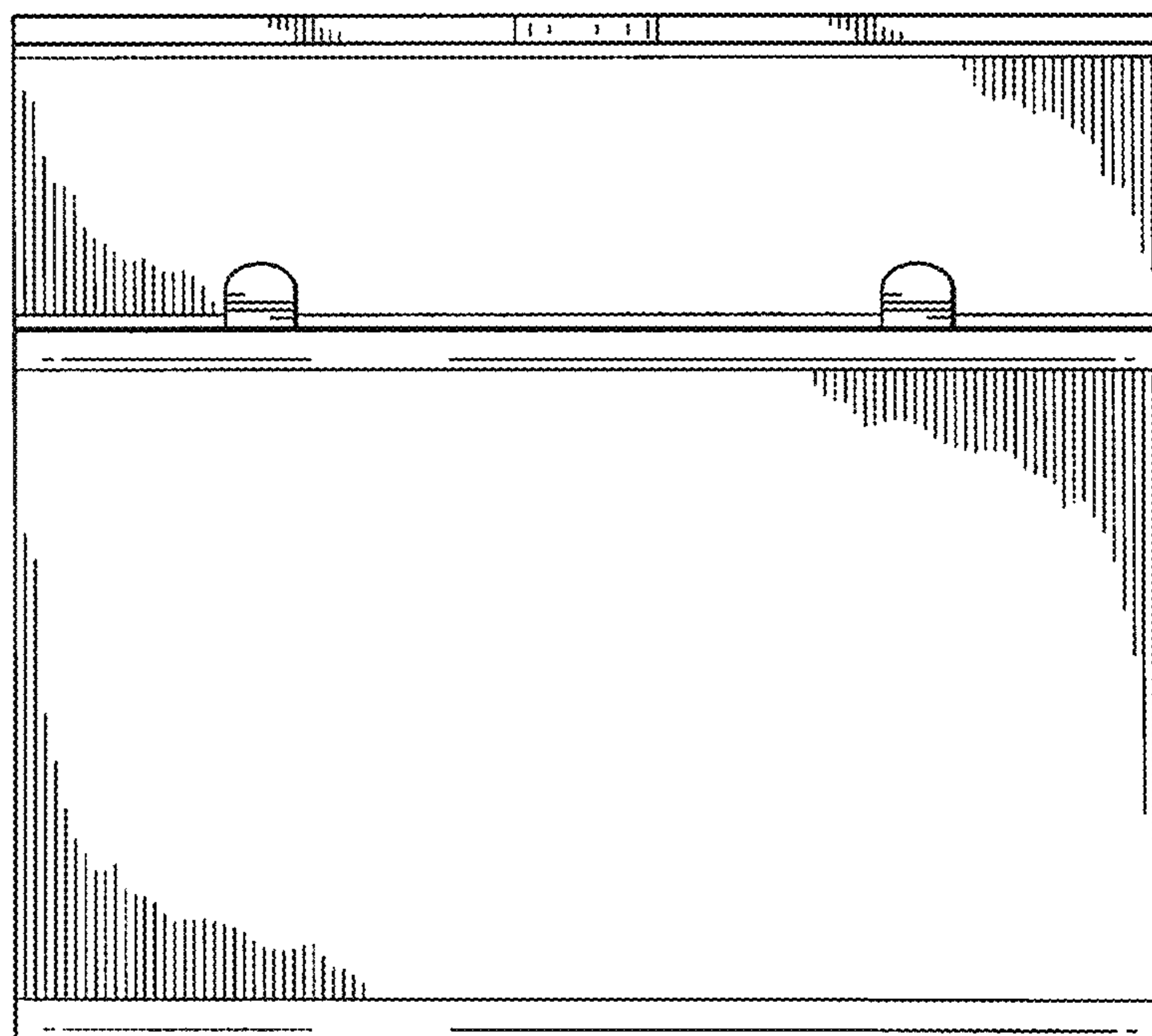


FIG. 7

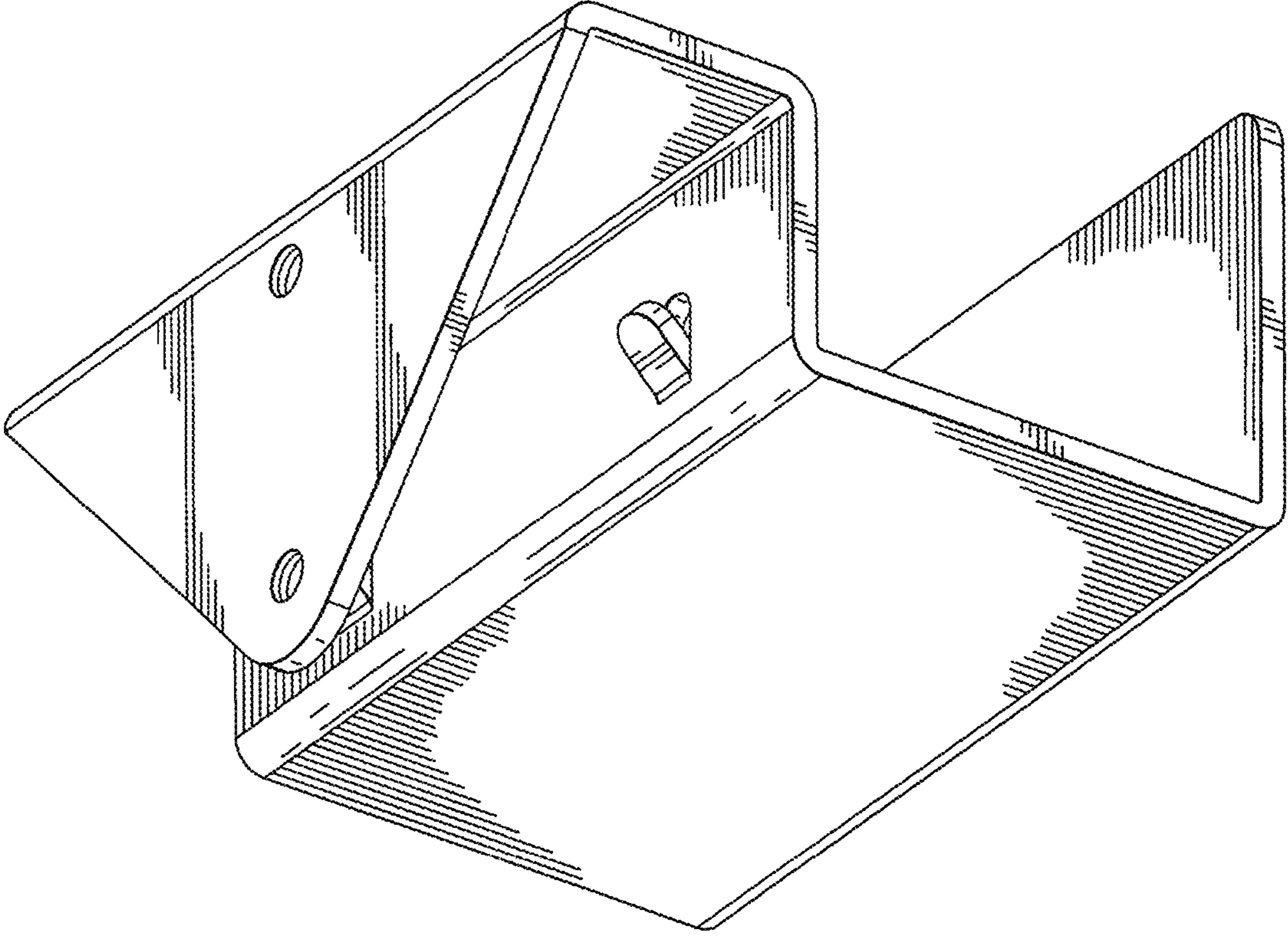


FIG. 8

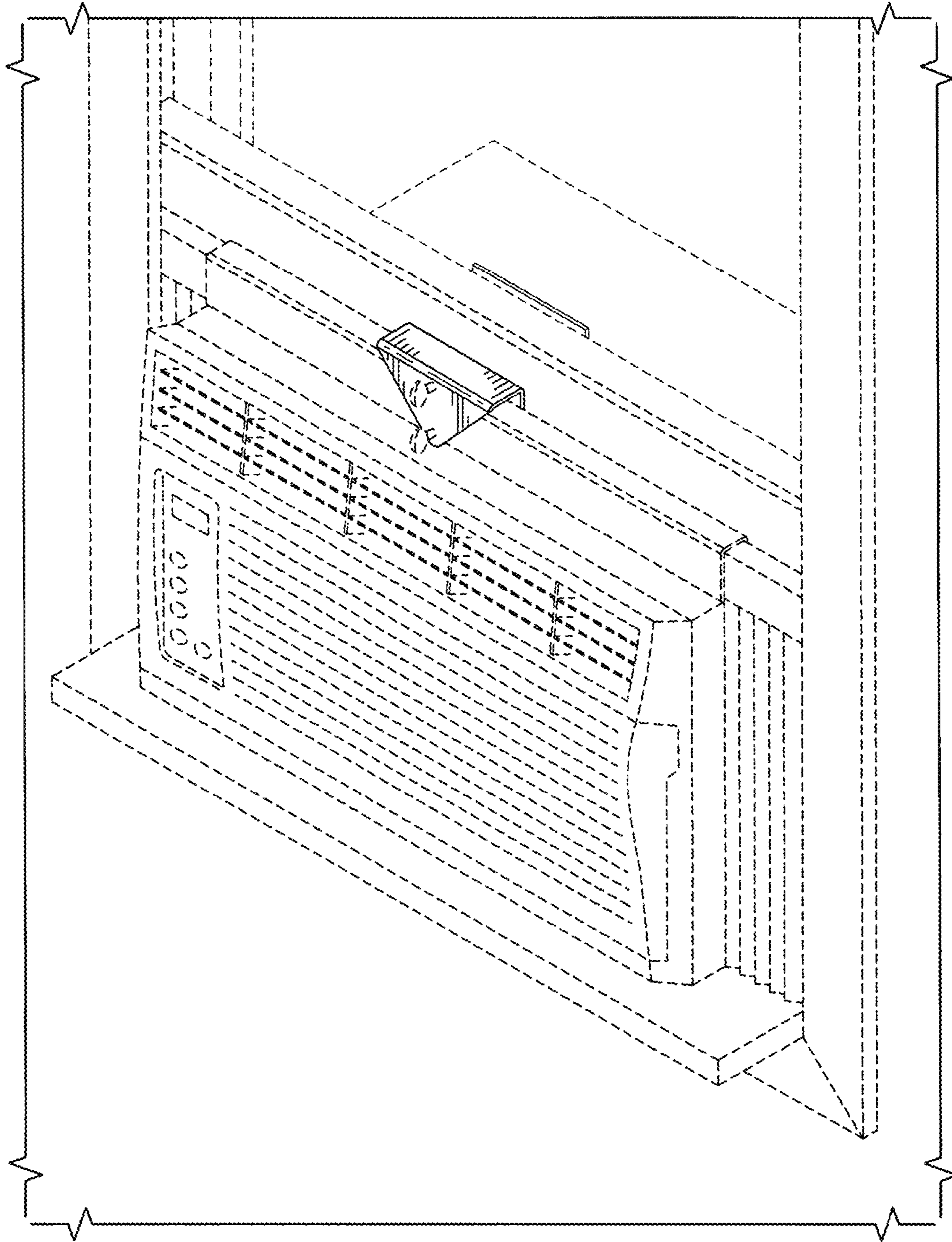


FIG. 9