



US00D782289S

(12) **United States Design Patent**
Darby et al.

(10) **Patent No.:** **US D782,289 S**
(45) **Date of Patent:** **** Mar. 28, 2017**

(54) **SUPPORT FOR WINDOW AIR
CONDITIONING UNIT**

(71) Applicant: **Nation Wide Products LLC**, Abilene,
TX (US)

(72) Inventors: **Jason Darby**, Abilene, TX (US); **Jim
Mann**, Palestine, TX (US)

(73) Assignee: **Nation Wide Products LLC**, Abilene,
TX (US)

(**) Term: **15 Years**

(21) Appl. No.: **29/557,374**

(22) Filed: **Mar. 8, 2016**

(51) **LOC (10) Cl.** **08-05**

(52) **U.S. Cl.**
USPC **D8/380; D8/354**

(58) **Field of Classification Search**
USPC D8/380, 381, 354; 248/208, 220.01,
248/226.11; 182/62; 454/204

CPC F24F 13/32; F24F 1/027; F24F 11/006;
F24F 2011/0058; F24F 2221/12; F24F
2011/0052; F24F 2011/0071; F24F
11/0086; F24F 1/0007; F24F 1/26; F24F
1/30; F24F 1/32; F24F 1/46; F24F 1/56;
F24F 2011/0061; F24F 2011/0068; F24F
2011/0091; F24F 13/00; F24F 13/22;
F24F 13/222; F24F 13/30; F24F 1/022;
F24F 1/50; F24F 1/54; F24F 5/0017;
F24F 2011/0094

See application file for complete search history.

(56) **References Cited**

U.S. PATENT DOCUMENTS

1,321,869 A	11/1919	Wilson	
2,568,968 A *	9/1951	Perrin E04G 3/18 248/236
2,702,175 A *	2/1955	Hanin F24F 13/32 108/93
2,717,139 A *	9/1955	Jewell F24F 13/32 182/57

(Continued)

FOREIGN PATENT DOCUMENTS

GB 2411686 A 9/2005

OTHER PUBLICATIONS

Window AC Unit Support Bracket, posted at homedepot.com,
posting date not given, [online], [site visited Dec. 30, 2016].
Available from Internet, <URL: <http://www.homedepot.com/p/AC-Safe-Window-AC-Unit-Support-Bracket-1-NTN-1/206510445>>.*

(Continued)

Primary Examiner — Caron D Veynar

Assistant Examiner — Maria Edwards

(74) *Attorney, Agent, or Firm* — Norton Rose Fulbright
US LLP

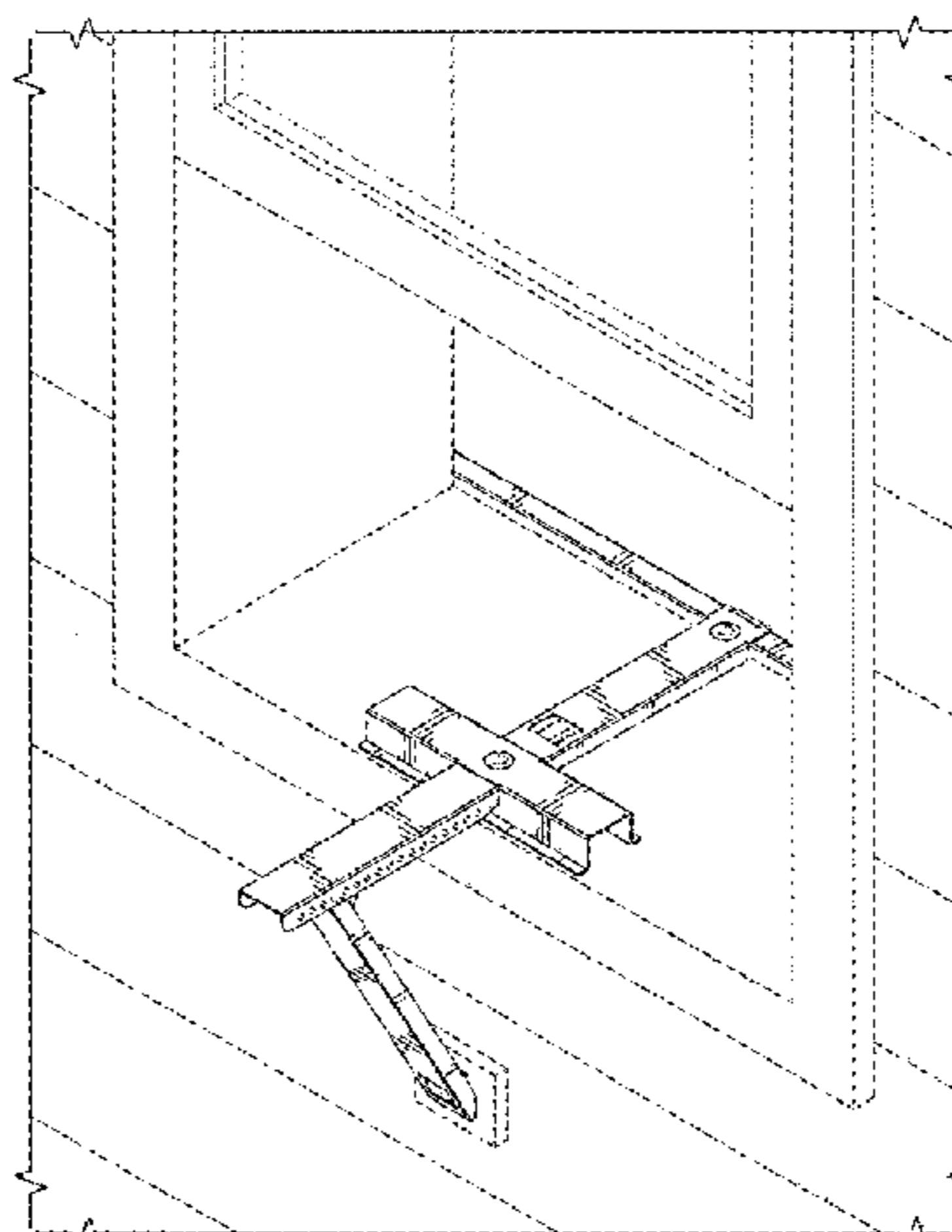
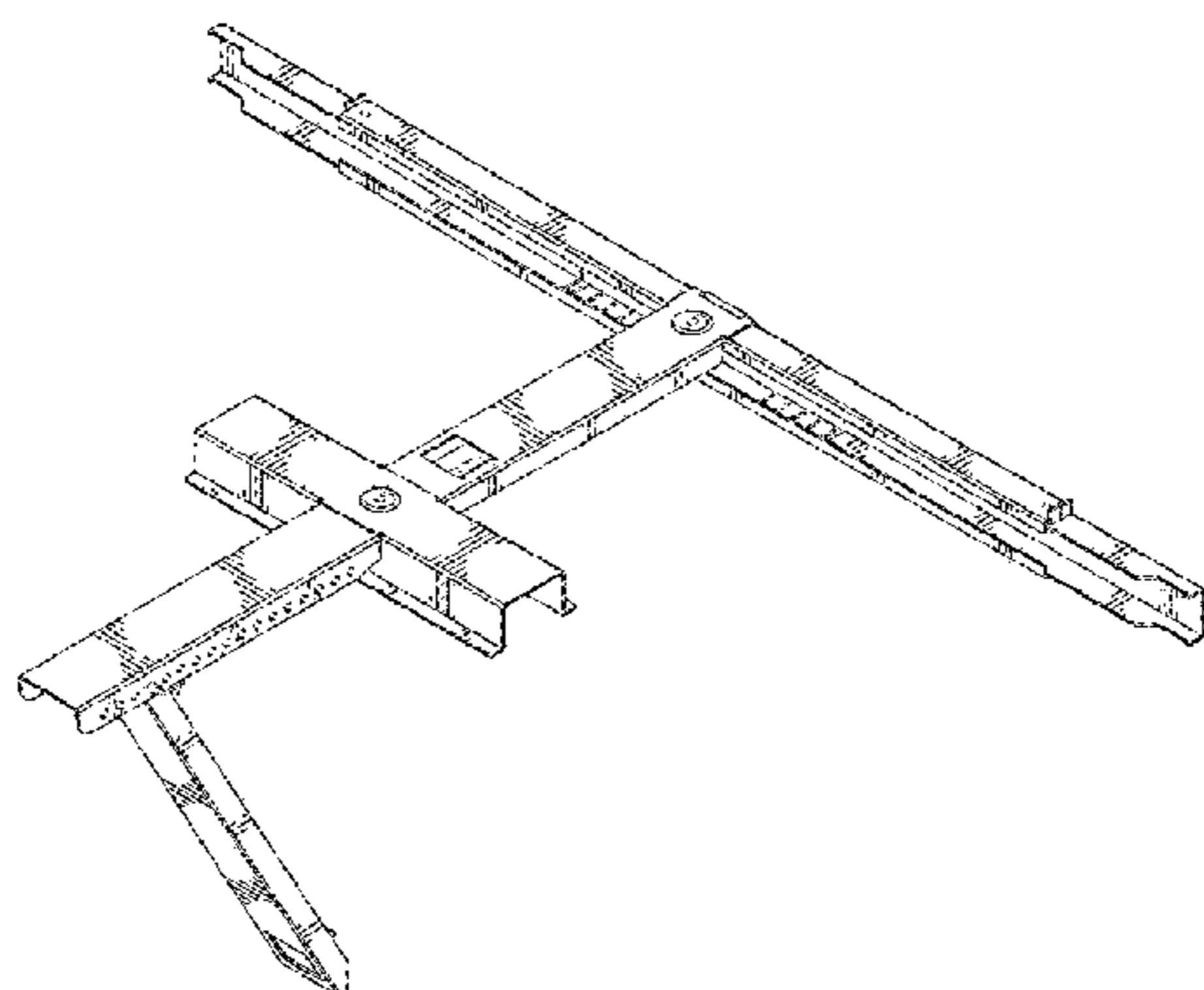
(57) **CLAIM**

The ornamental design for a support for window air condi-
tioning unit, as shown and described.

DESCRIPTION

FIG. 1 is a front perspective view of a support for window
air conditioning unit showing our new design;
FIG. 2 is a front elevation view thereof;
FIG. 3 is a back elevation view thereof;
FIG. 4 is a right side elevation view thereof;
FIG. 5 is a left side elevation view thereof;
FIG. 6 is a top plan view thereof;
FIG. 7 is a bottom plan view thereof; and,
FIG. 8 is a front perspective environmental view thereof.
The broken lines shown in the figures represent unclaimed
subject matter and form no part of the claimed design.

1 Claim, 8 Drawing Sheets



(56)

References Cited

U.S. PATENT DOCUMENTS

2,891,754 A * 6/1959 Kuhlenschmidt F24F 13/32
248/208
D226,833 S * 5/1973 Rich D22/147
5,636,816 A 6/1997 Burton et al.
D403,947 S * 1/1999 Morris D8/354
D520,349 S * 5/2006 Boroviak D8/381
D558,036 S * 12/2007 Rogers D8/380
8,533,955 B2 9/2013 Agnihotri
8,584,998 B1 * 11/2013 Peterson F24F 13/32
182/62
D707,109 S * 6/2014 Leung D8/363
D720,607 S * 1/2015 Kats D8/380
D723,358 S * 3/2015 Morris D8/380
9,163,854 B2 * 10/2015 Arbucci E06B 7/28
9,179,794 B2 11/2015 Darby
9,303,895 B1 4/2016 Grant
9,447,916 B2 * 9/2016 Darby F16M 13/022
2009/0071180 A1 * 3/2009 Jones F24F 13/32
62/262
2014/0090334 A1 4/2014 Darby et al.
2015/0107277 A1 4/2015 Moore et al.
2016/0058189 A1 3/2016 Darby

OTHER PUBLICATIONS

Black+Decker BAB 2438, posted at amazon.com, posting date not given, [online], [site visited Dec. 30, 2016]. Available from Internet, <URL: <https://www.amazon.com/BLACK-DECKER-BAB-2438-Adjustable-Conditioner/dp/B01IHNUYUM>>.*
U.S. Appl. No. 14/226,448, Darby.

* cited by examiner

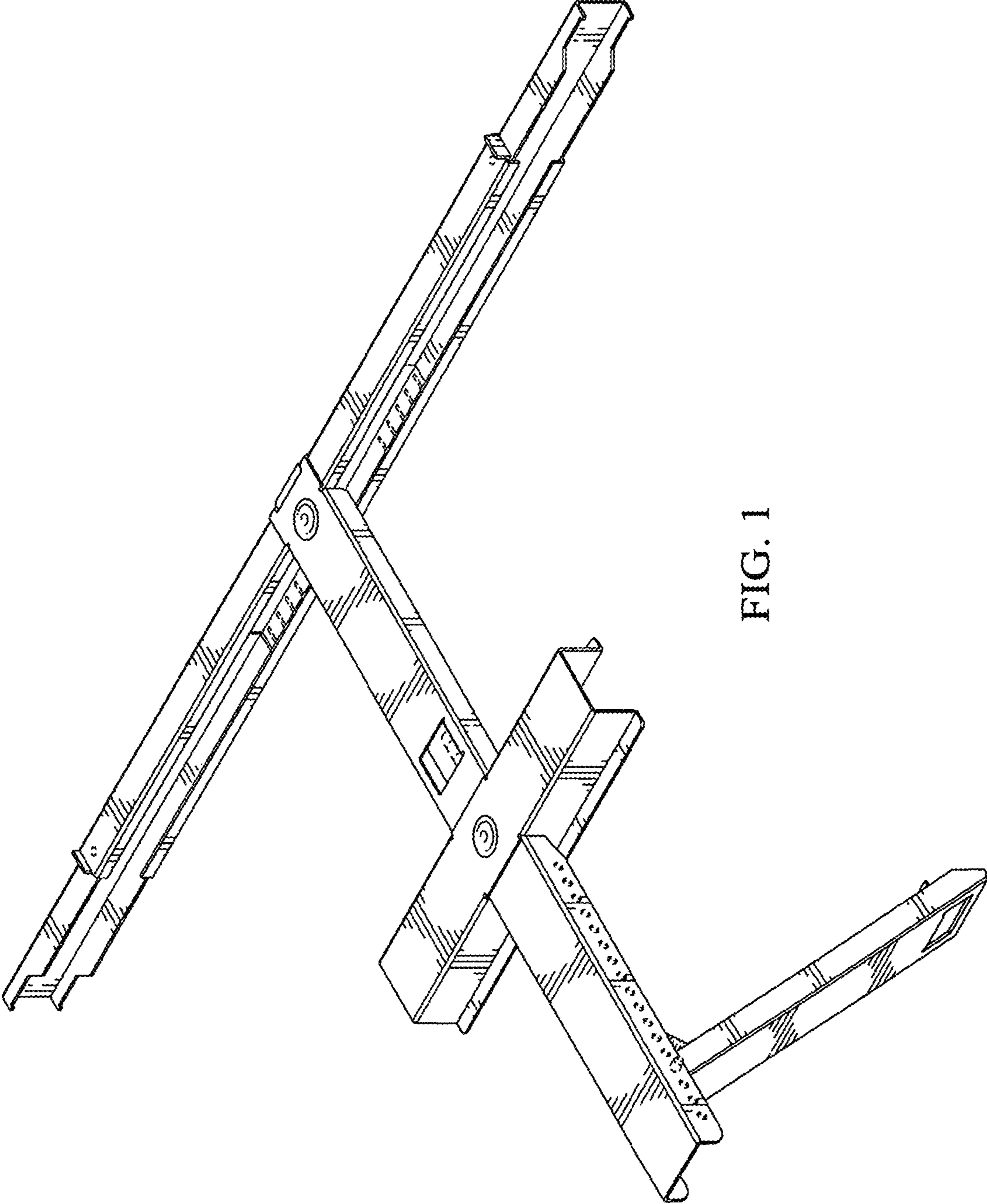


FIG. 1

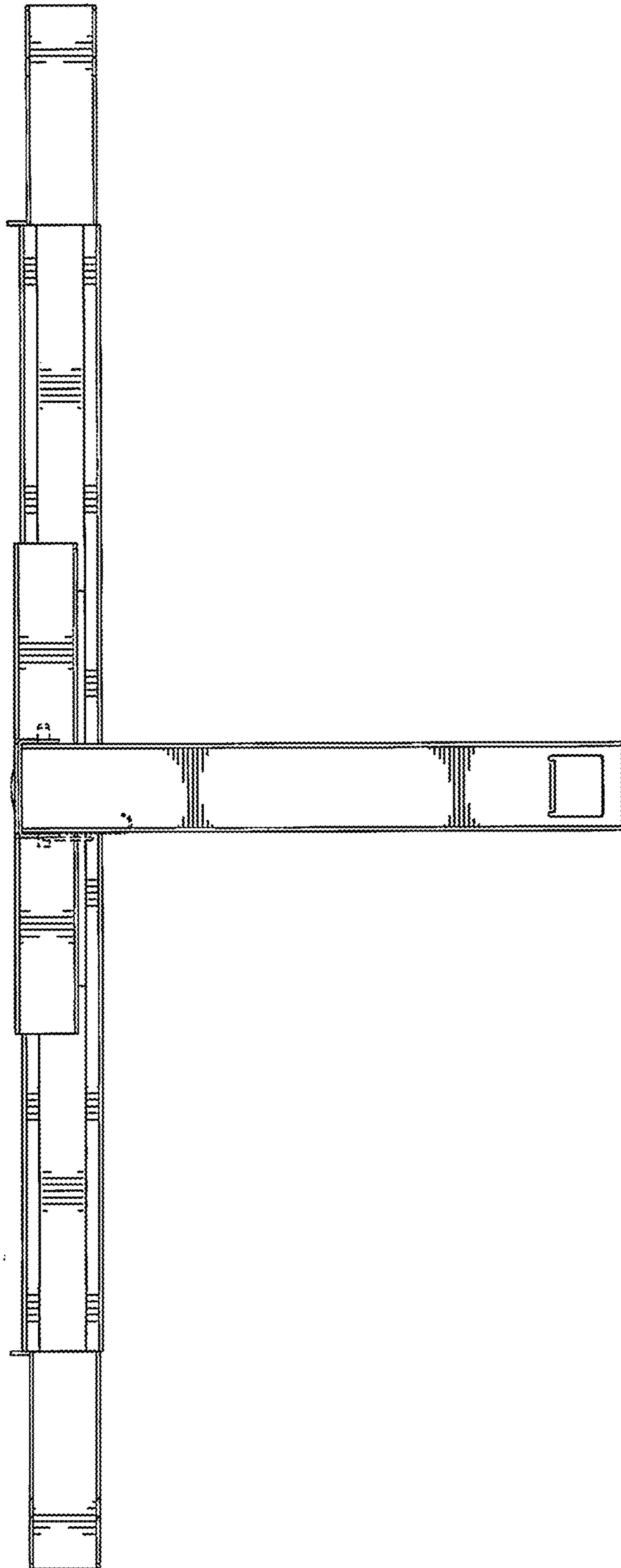


FIG. 2

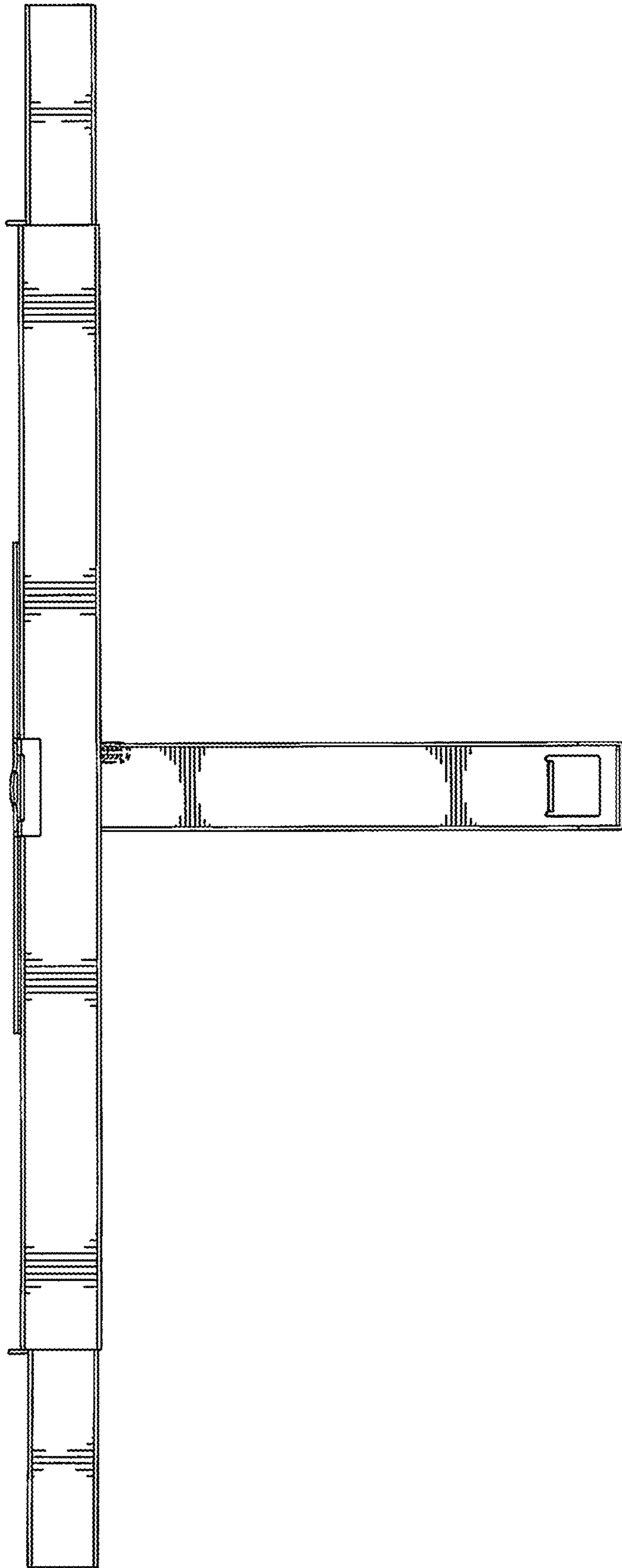


FIG. 3

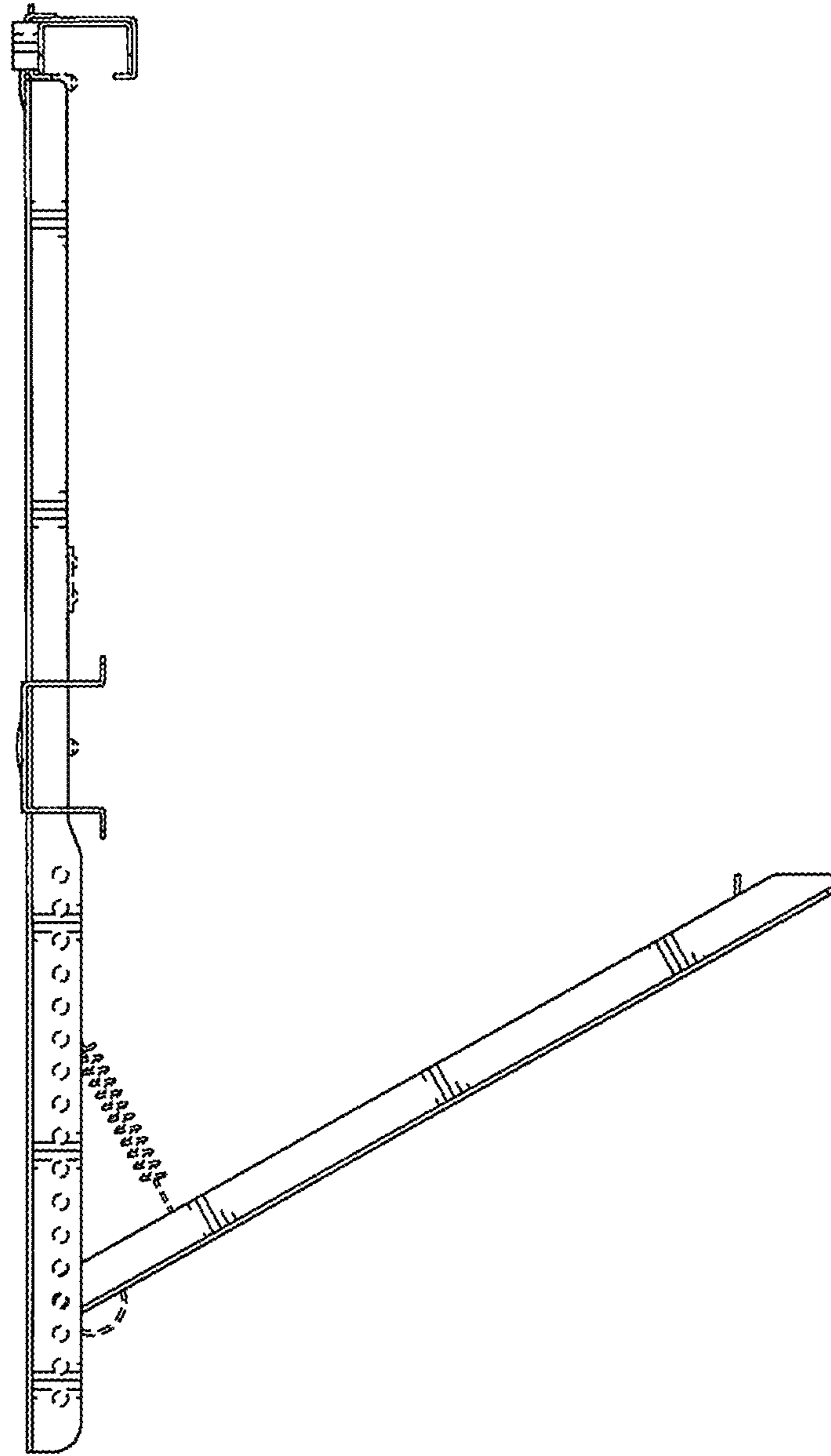


FIG. 4

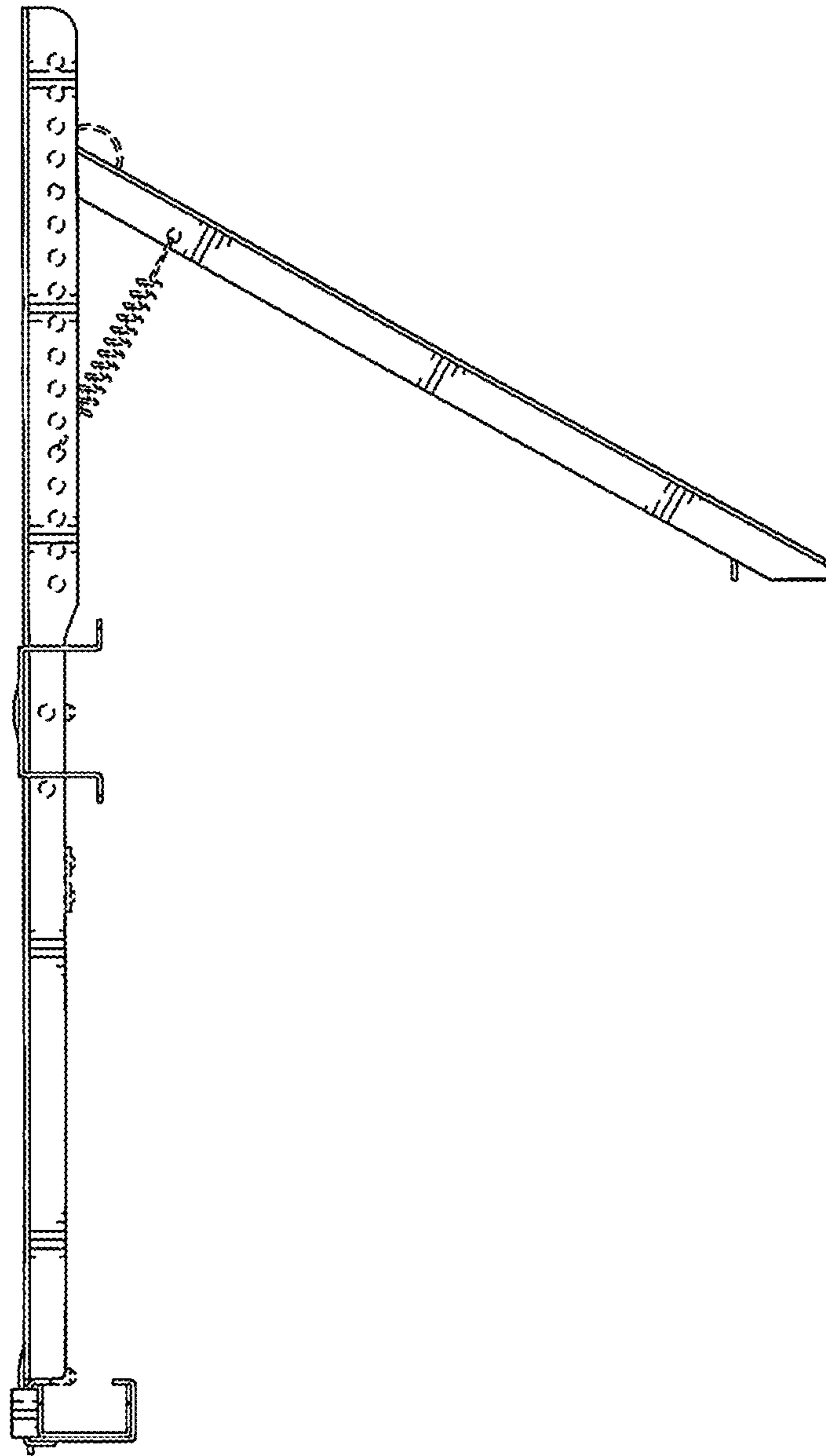


FIG. 5

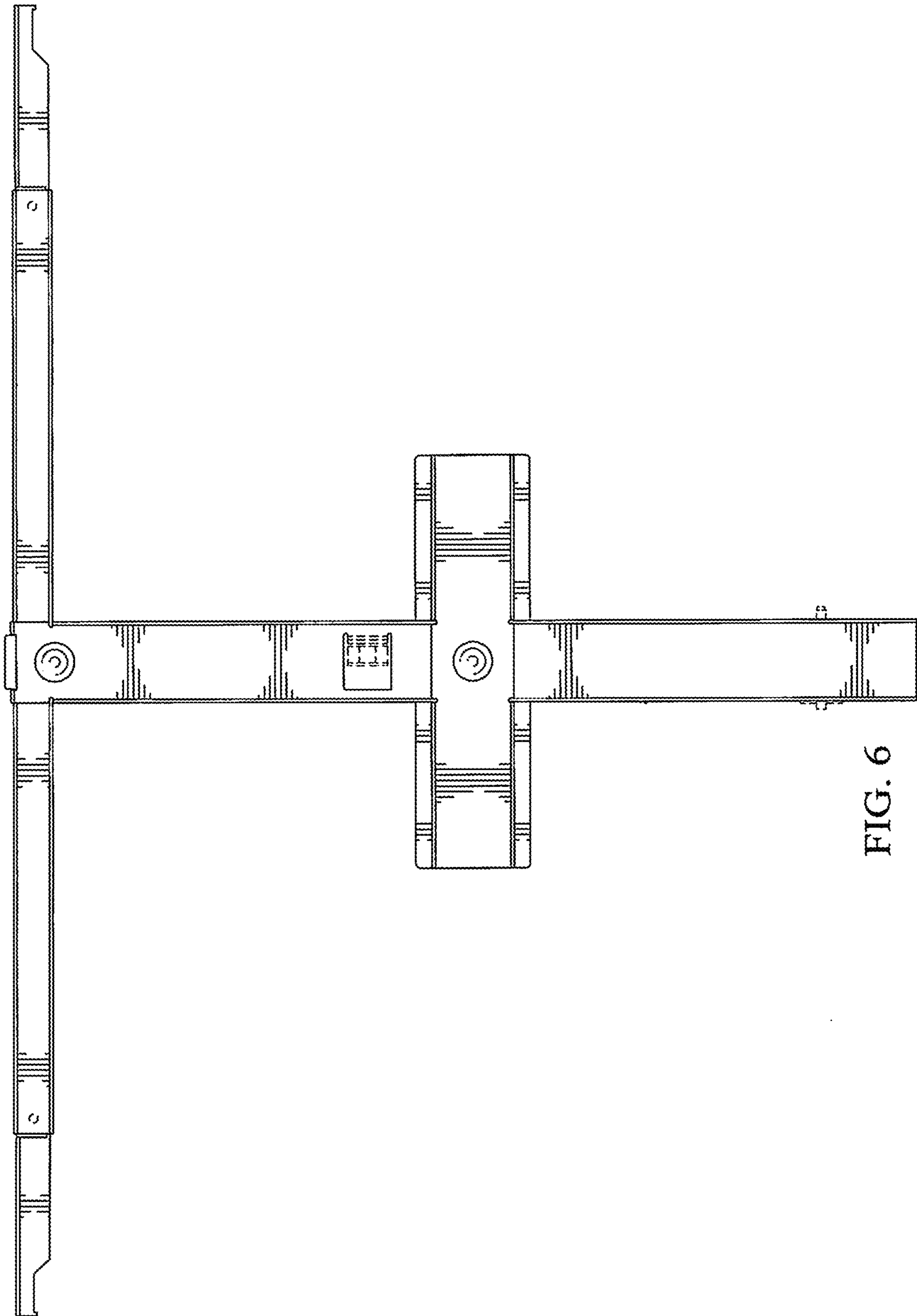


FIG. 6

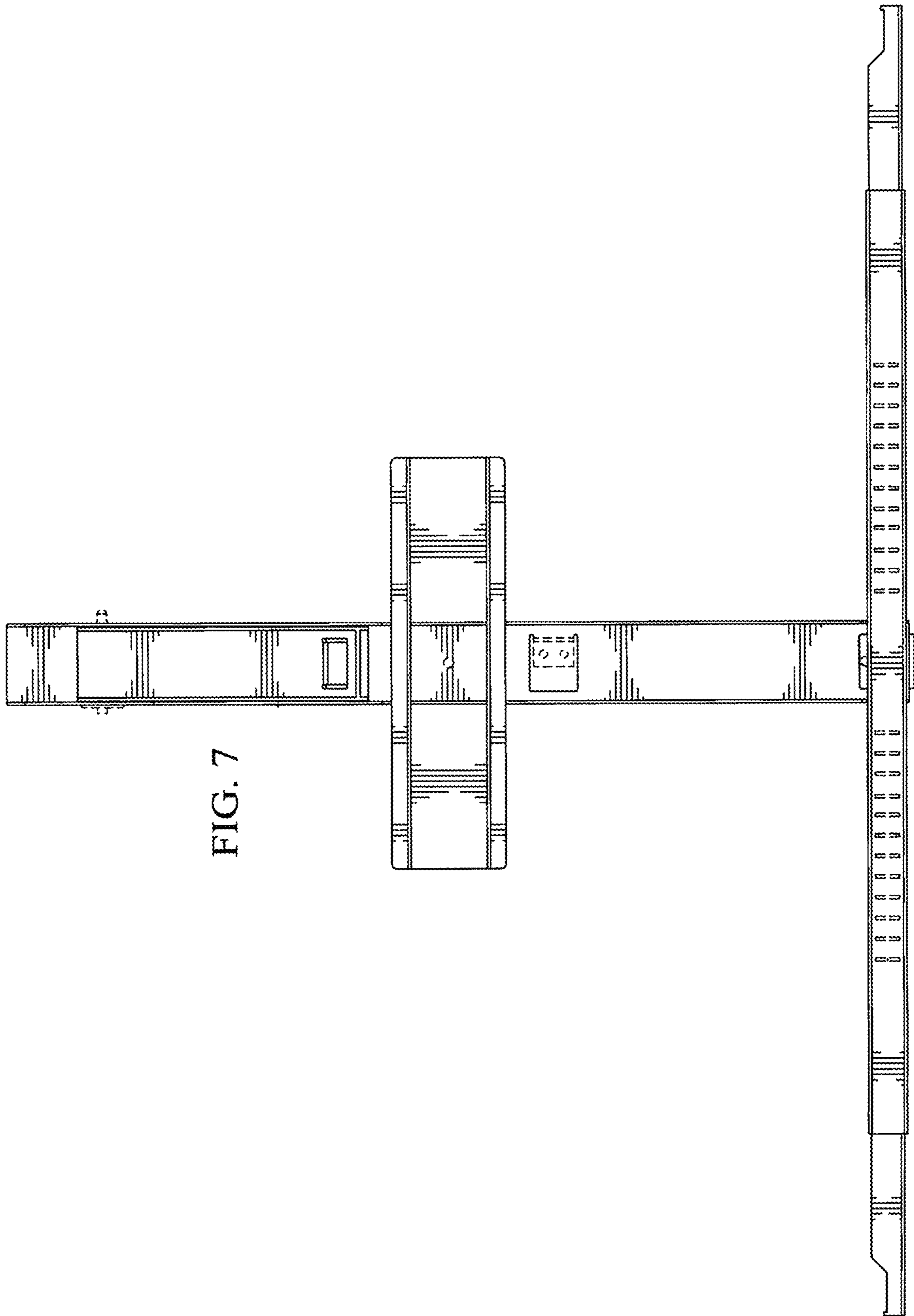


FIG. 7

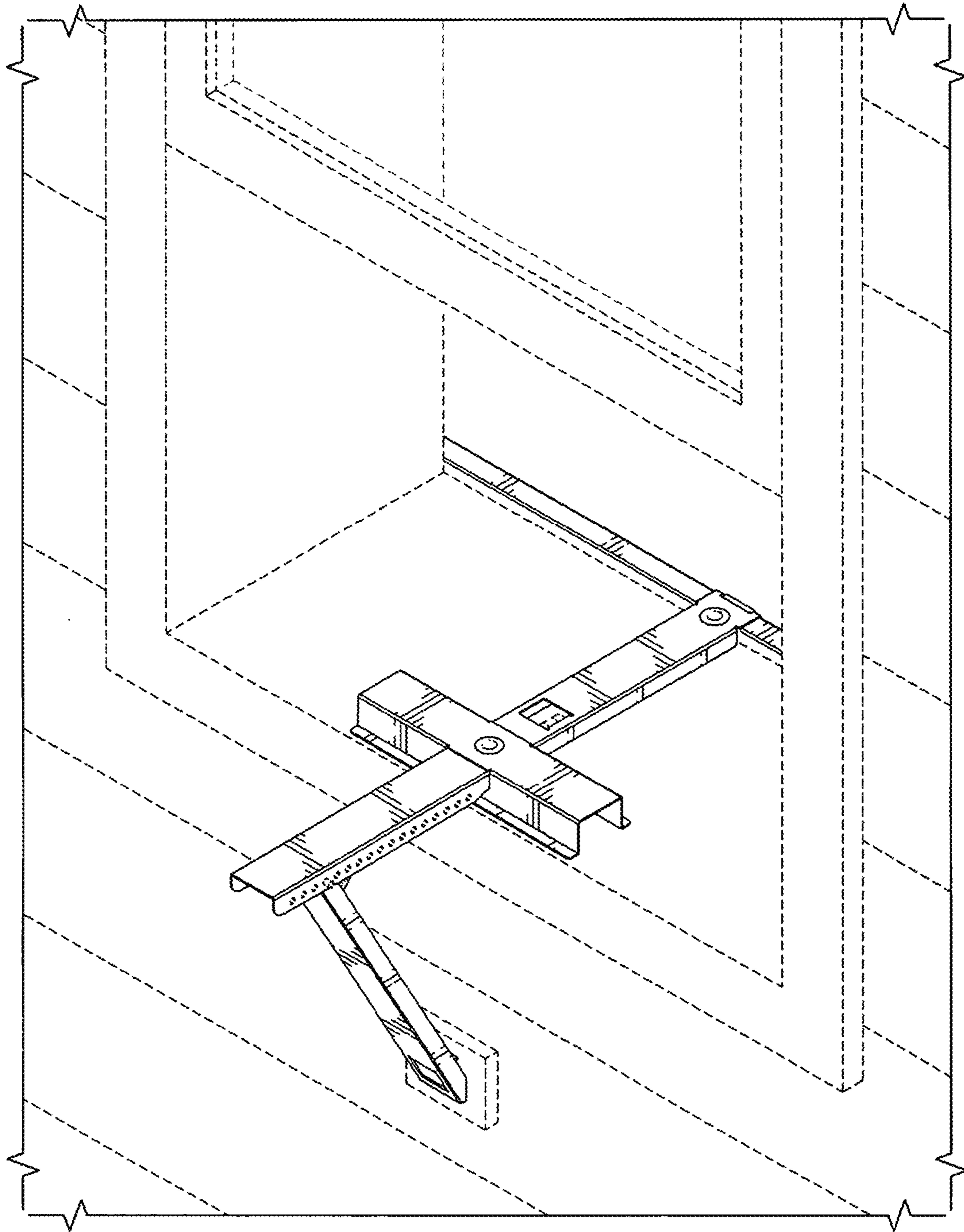


FIG. 8