



US00D782288S

(12) **United States Design Patent**  
**Cusak**

(10) **Patent No.:** **US D782,288 S**

(45) **Date of Patent:** **\*\* Mar. 28, 2017**

(54) **CLOTHES HOOK**

(71) Applicant: **Stanley M. Cusak**, Fresno, CA (US)

(72) Inventor: **Stanley M. Cusak**, Fresno, CA (US)

(\*\*) Term: **15 Years**

(21) Appl. No.: **29/545,087**

(22) Filed: **Nov. 10, 2015**

(51) **LOC (10) Cl.** ..... **08-05**

(52) **U.S. Cl.**  
USPC ..... **D8/367**

(58) **Field of Classification Search**  
USPC ..... D8/367, 354, 349, 372; D6/232;  
248/301, 304, 215

CPC ..... A47G 25/0607; A47K 10/04; G09F 17/00  
See application file for complete search history.

(56) **References Cited**

**U.S. PATENT DOCUMENTS**

D360,573 S *	7/1995	Adams	.....	D8/367
D368,016 S *	3/1996	McDowell	.....	D8/367
D368,017 S *	3/1996	McDowell	.....	D8/367
D396,184 S *	7/1998	Adams	.....	D19/86

D405,681 S *	2/1999	McDowell	.....	D8/367
D413,788 S *	9/1999	Adams	.....	D8/367
D416,788 S *	11/1999	Jones	.....	D19/65
D421,565 S *	3/2000	Jones	.....	D21/611
D654,705 S *	2/2012	Goodman	.....	D6/323
D666,084 S *	8/2012	Rojas	.....	D8/367
D695,093 S *	12/2013	Hammer	.....	D8/367
D703,028 S *	4/2014	Hammer	.....	D8/372
D736,197 S *	8/2015	Saideh	.....	D14/253

\* cited by examiner

*Primary Examiner* — Cynthia Underwood

(74) *Attorney, Agent, or Firm* — Gallian Welker & Beckstrom; Robert A. Gurr

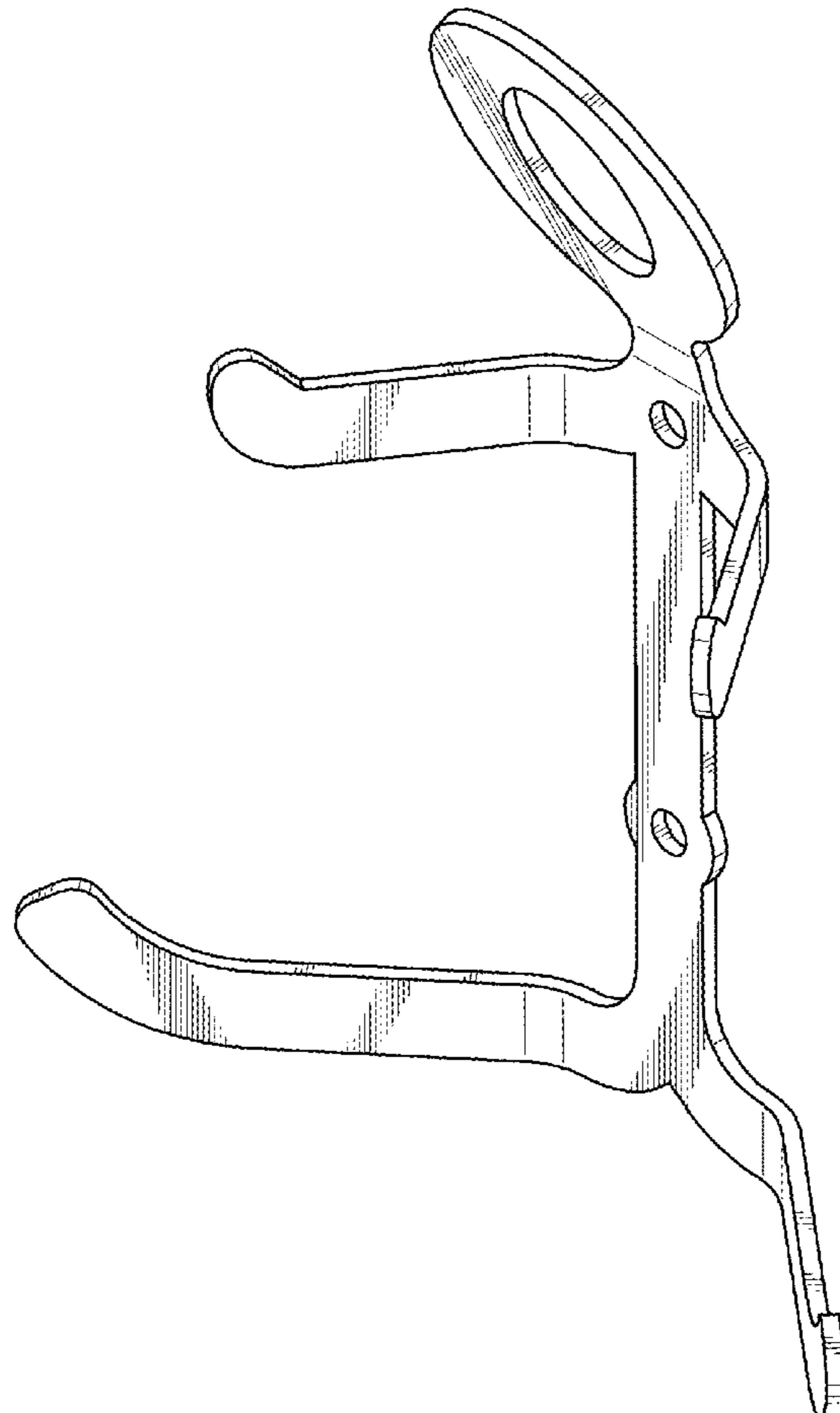
(57) **CLAIM**

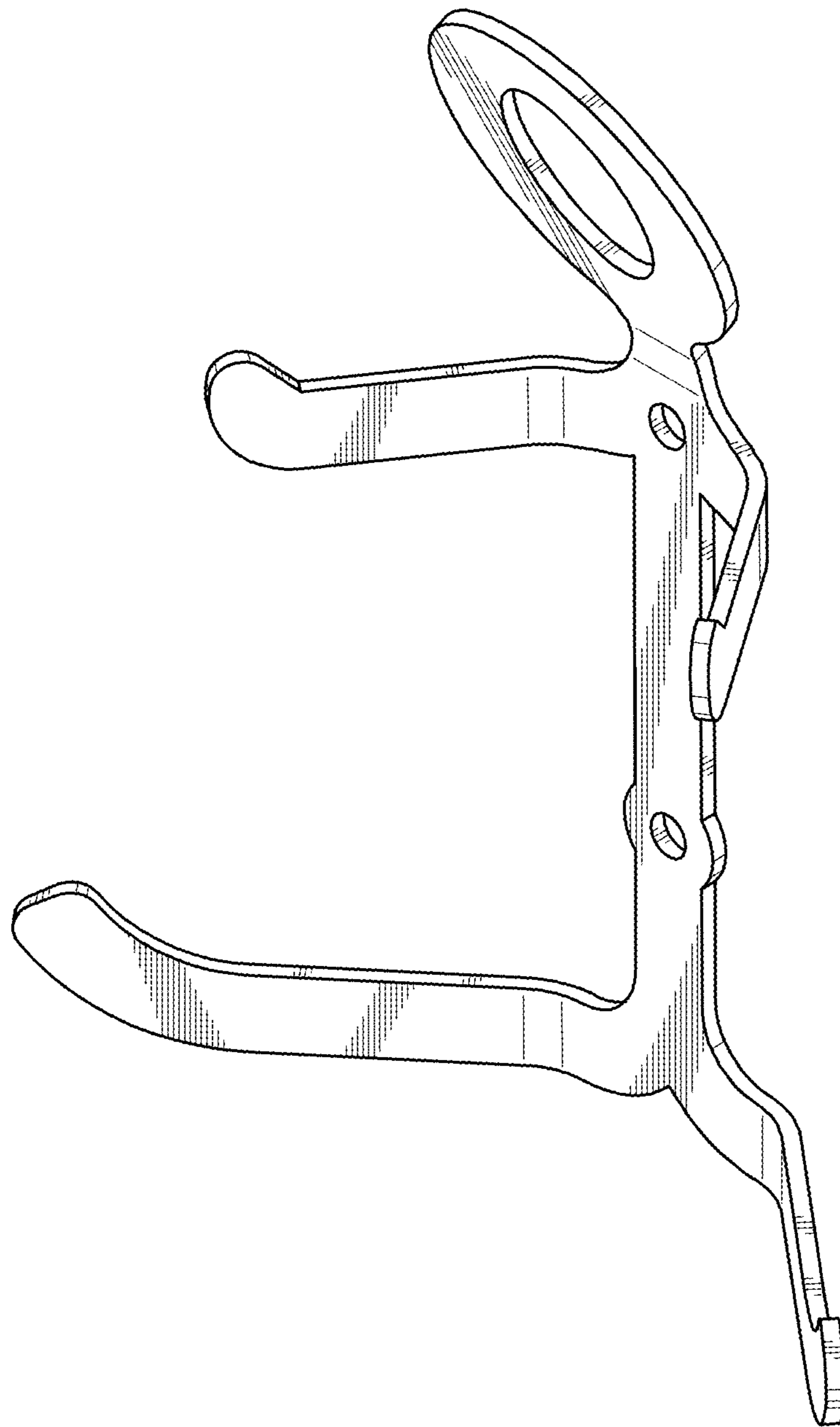
The ornamental design for a clothes hook, as shown and described.

**DESCRIPTION**

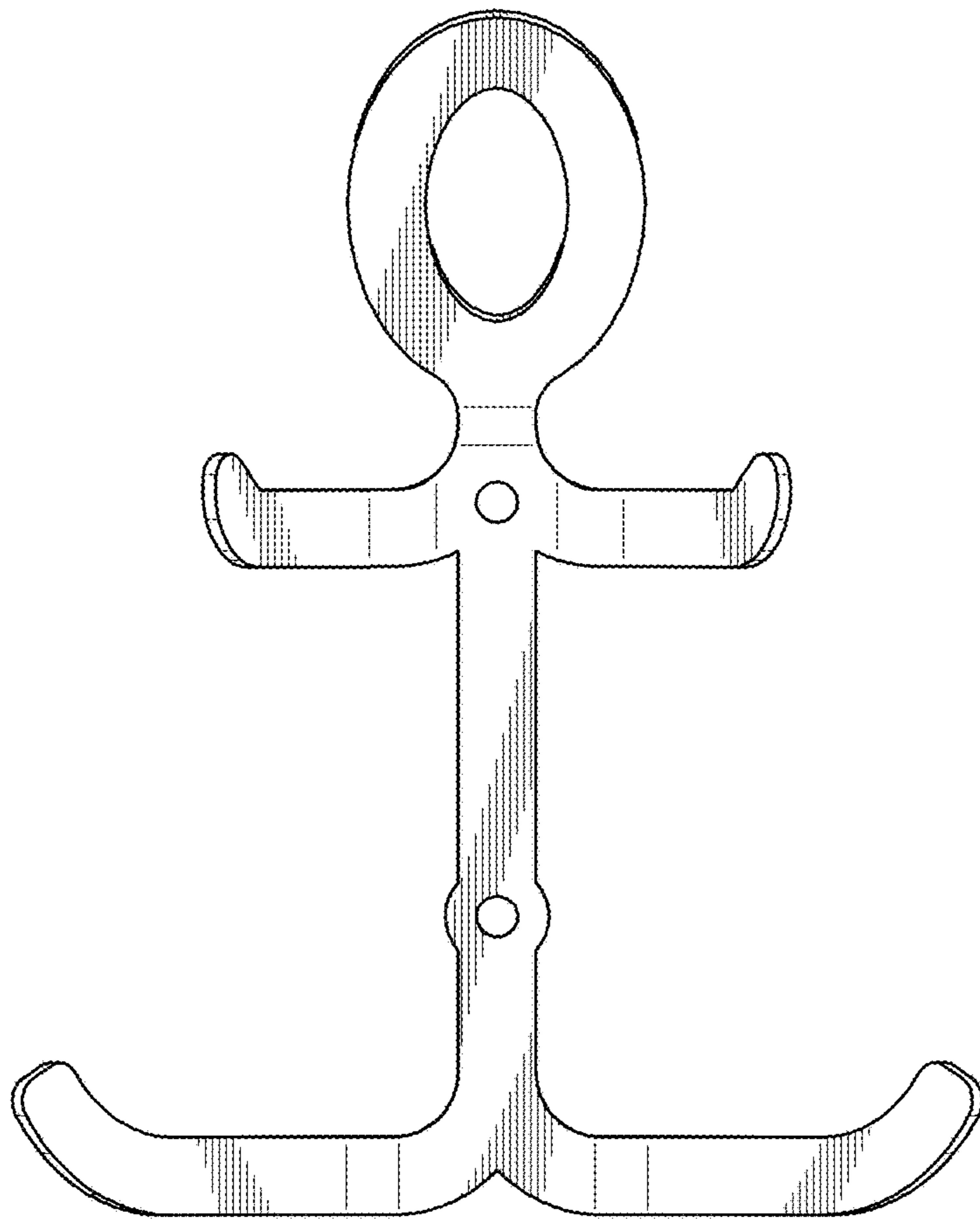
FIG. 1 is a perspective view of the clothes hook;  
FIG. 2 is a front elevation view of the clothes hook;  
FIG. 3 is a left-side elevation view of the clothes hook;  
FIG. 4 is a top plan view of the clothes hook;  
FIG. 5 is a bottom plan view of the clothes hook; and,  
FIG. 6 is a back elevation view of the clothes hook.

**1 Claim, 4 Drawing Sheets**

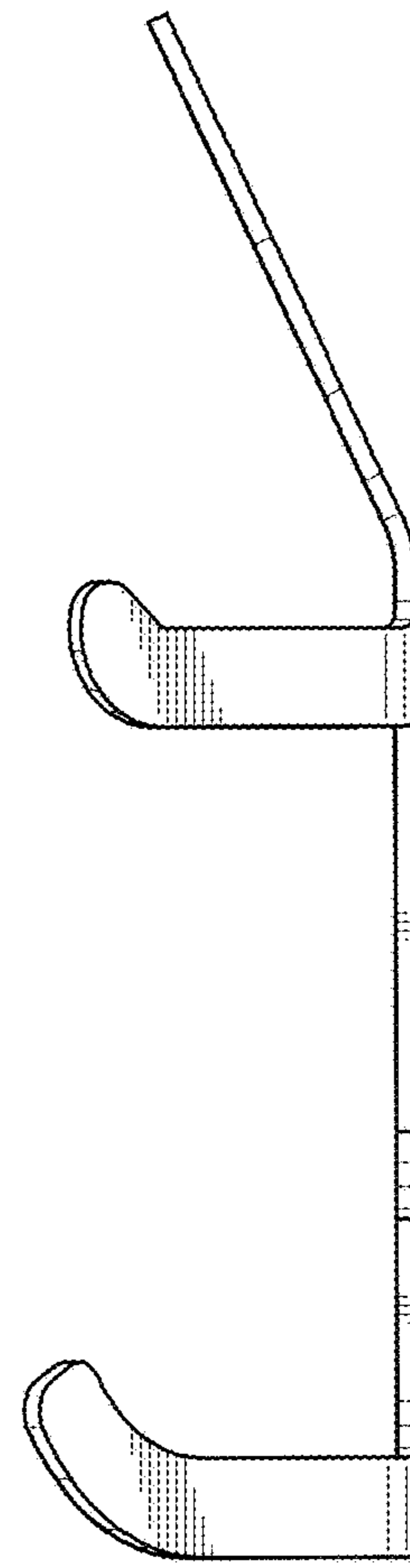




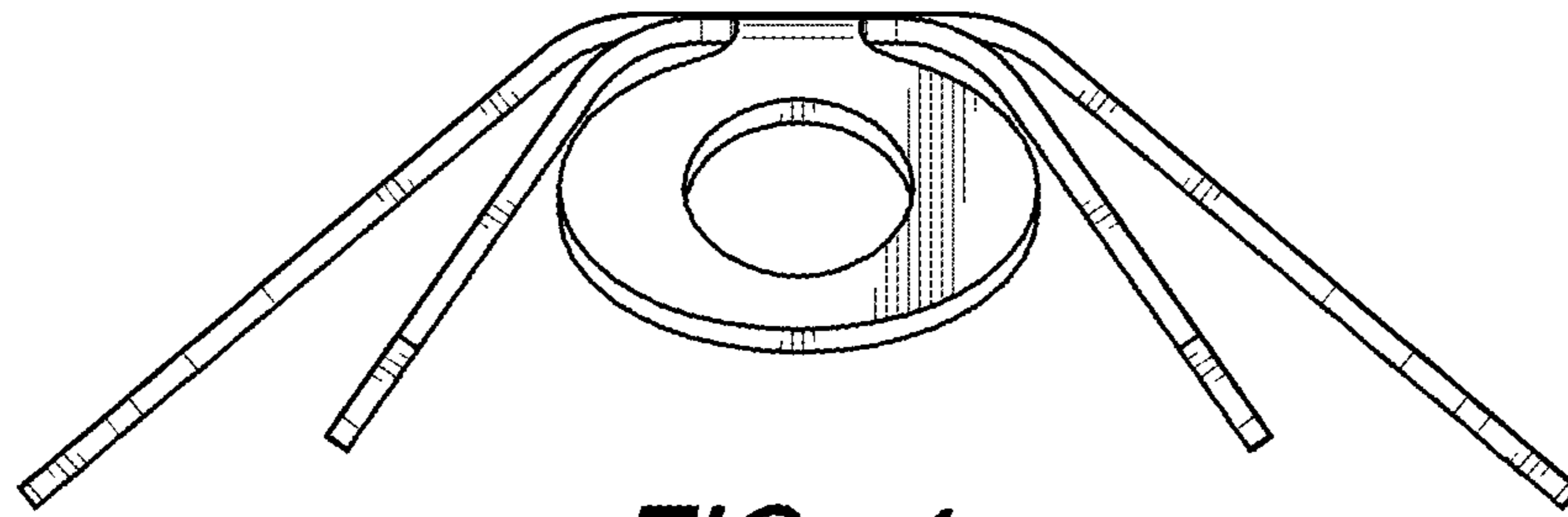
**FIG. 1**



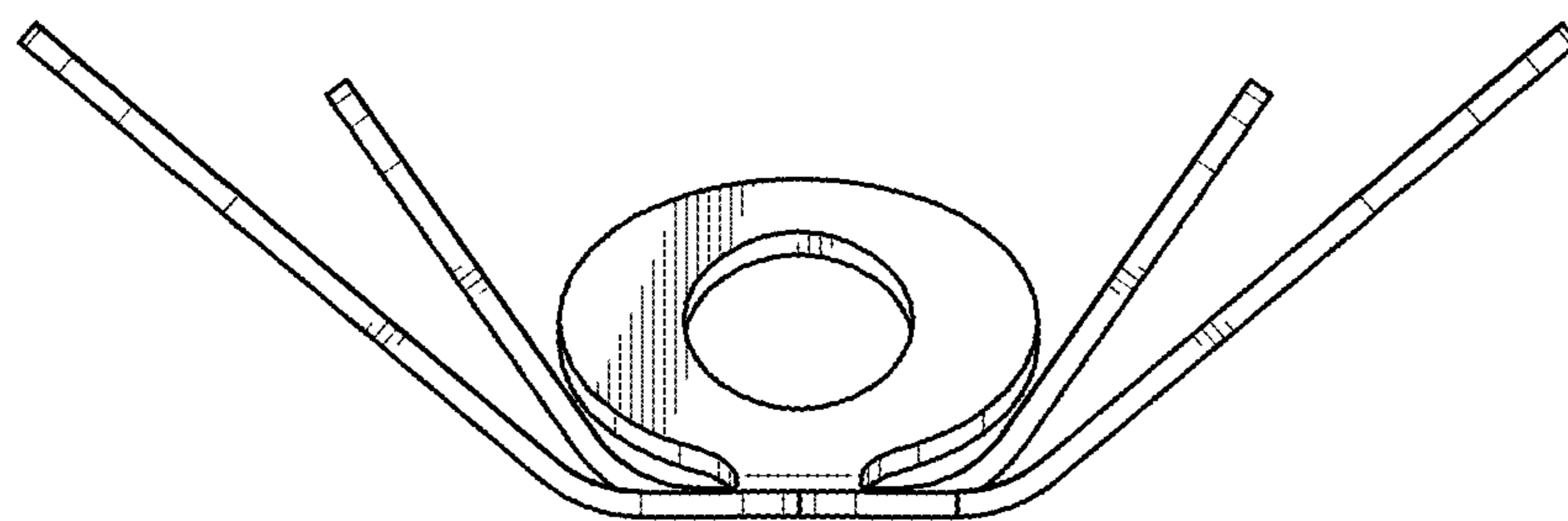
**FIG. 2**



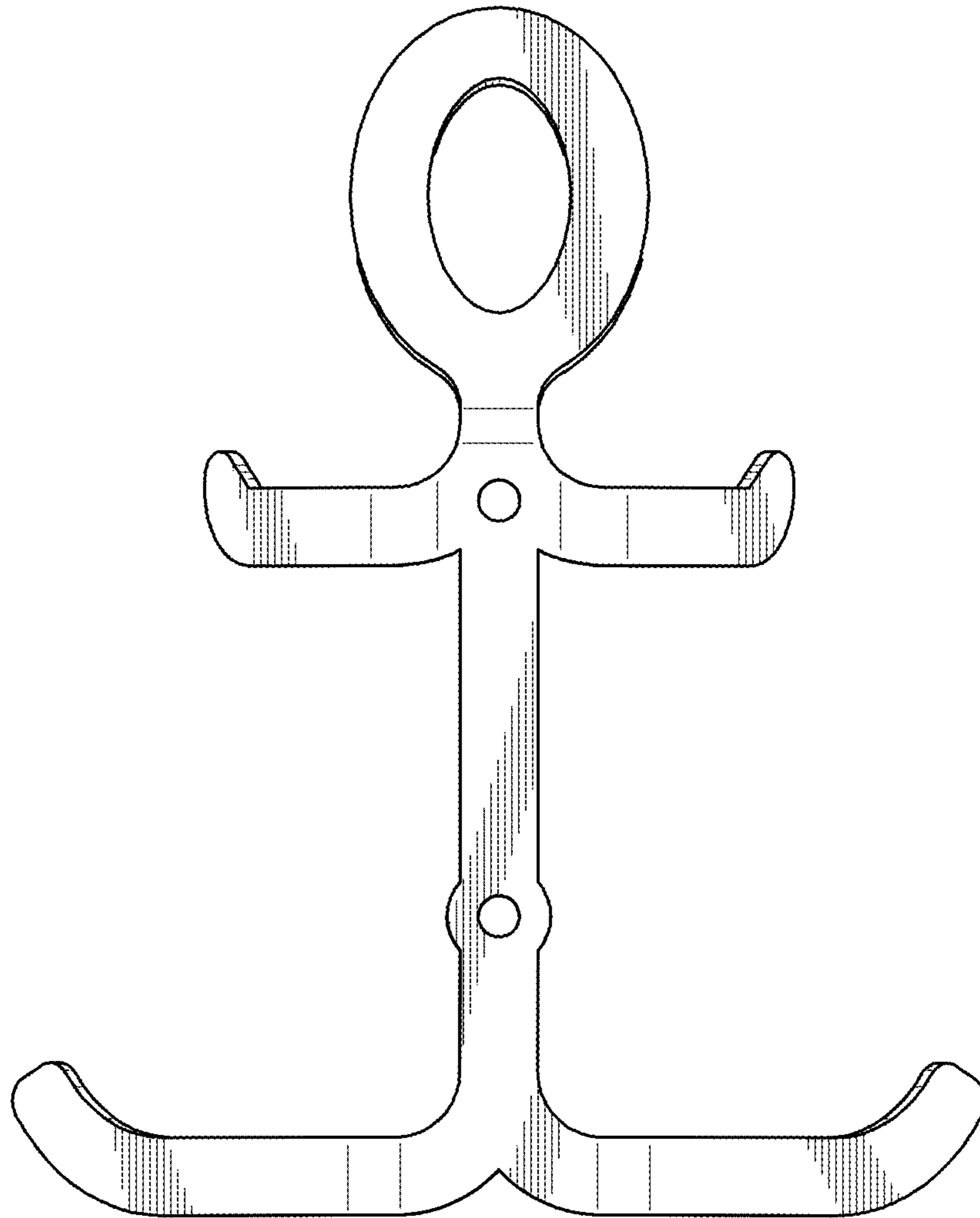
**FIG. 3**



**FIG. 4**



**FIG. 5**



**FIG. 6**