



US00D782287S

(12) **United States Design Patent**
Chen

(10) **Patent No.:** **US D782,287 S**

(45) **Date of Patent:** **** Mar. 28, 2017**

(54) **CABLE MANAGEMENT CONTAINER**

(71) Applicant: **Kevin Fong Chen**, Irvine, CA (US)

(72) Inventor: **Kevin Fong Chen**, Irvine, CA (US)

(**) Term: **15 Years**

(21) Appl. No.: **29/557,546**

(22) Filed: **Mar. 9, 2016**

(51) **LOC (10) Cl.** **08-05**

(52) **U.S. Cl.**
USPC **D8/356**

(58) **Field of Classification Search**

USPC D8/356, 354, 349; 381/384
CPC E02D 5/803; B63B 21/045; B63B 59/02;
B60D 1/18; B60P 7/0823; A44B 13/0029;
H04R 1/1033; H04R 1/103; Y10T
24/3918

See application file for complete search history.

D741,701 S * 10/2015 McNeil D8/356
D741,807 S * 10/2015 Kim D13/133
D758,838 S * 6/2016 Symons D8/383
D761,088 S * 7/2016 Leonard D8/356
D763,666 S * 8/2016 Wengreen D8/356
2009/0094798 A1* 4/2009 Yao A43C 1/00
24/115 G
2010/0148018 A1* 6/2010 Schoenau F16L 5/14
248/74.4

* cited by examiner

Primary Examiner — Cynthia Underwood

(74) *Attorney, Agent, or Firm* — QuickPatents, LLC;
Kevin Prince

(57) **CLAIM**

I claim the ornamental design for a cable management container, as shown and described.

DESCRIPTION

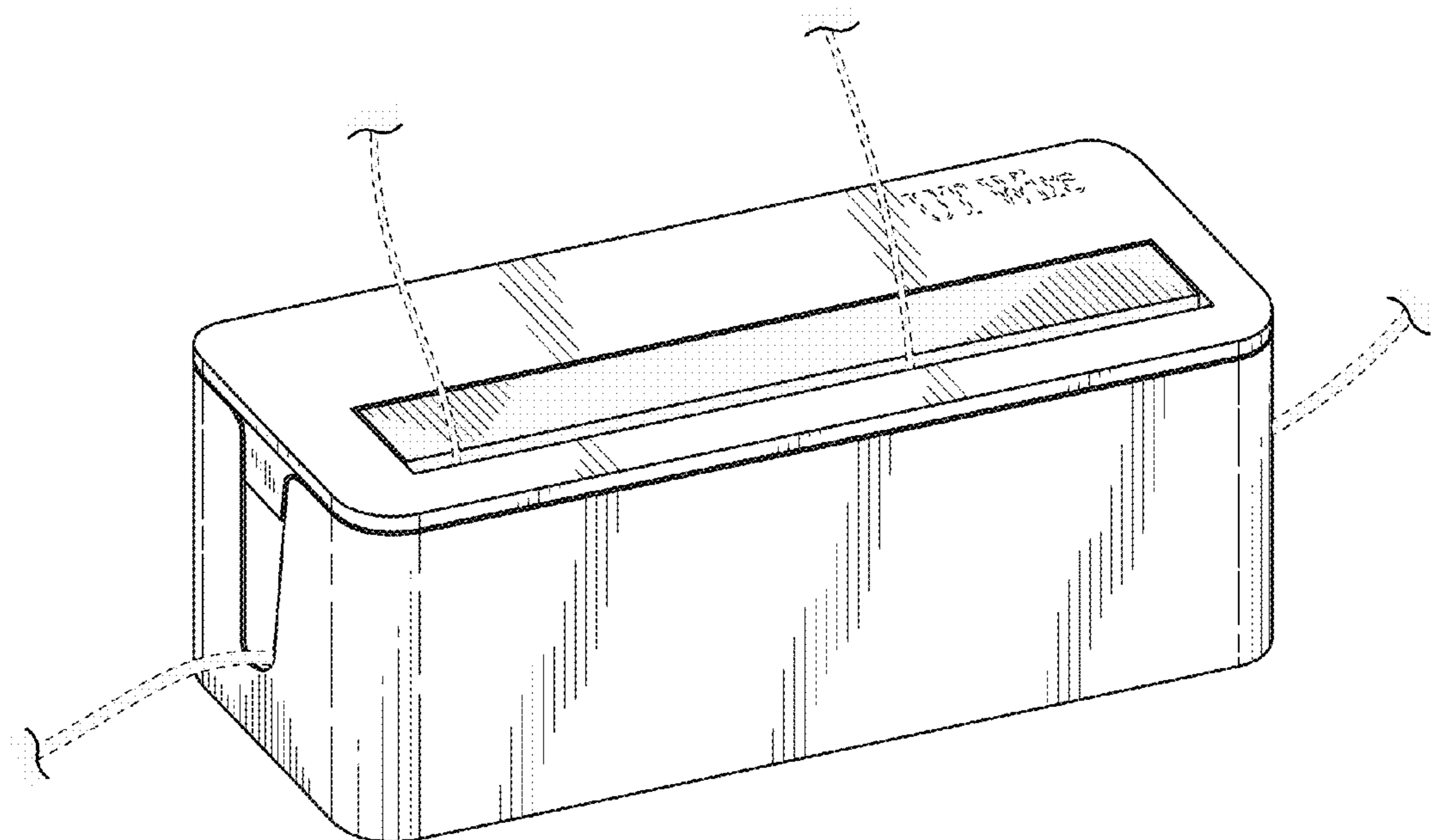
FIG. 1 is a perspective view of a cable management container, showing my design;
FIG. 2 is a front elevational view of FIG. 1, the rear elevational view being a mirror image thereof;
FIG. 3 is a left-side elevational view of FIG. 1, the right-side elevational view being a mirror image thereof;
FIG. 4 is a top plan view of FIG. 1; and,
FIG. 5 is a bottom plan view of FIG. 1.
The broken lines showing cables in FIGS. 1 and a logo in FIGS. 1 and 4 depict environmental matter and form no part of the claimed design.

1 Claim, 3 Drawing Sheets

(56) **References Cited**

U.S. PATENT DOCUMENTS

D264,828 S * 6/1982 Gray D11/87
D323,102 S * 1/1992 Kipling D8/331
D331,725 S * 12/1992 Mastoloni 59/80
D466,433 S * 12/2002 Goto D11/87
D569,349 S * 5/2008 Preston D13/156
D627,001 S * 11/2010 de Niet D20/22
D649,444 S * 11/2011 Gallagher, Jr. D8/383
D660,138 S * 5/2012 Gallagher, Jr. D11/87
D667,796 S * 9/2012 Boussekey D13/156
8,602,370 B2* 12/2013 McKenzie A47G 25/0614
248/215
D708,052 S * 7/2014 Symons D8/394
D709,359 S * 7/2014 Symons D8/396



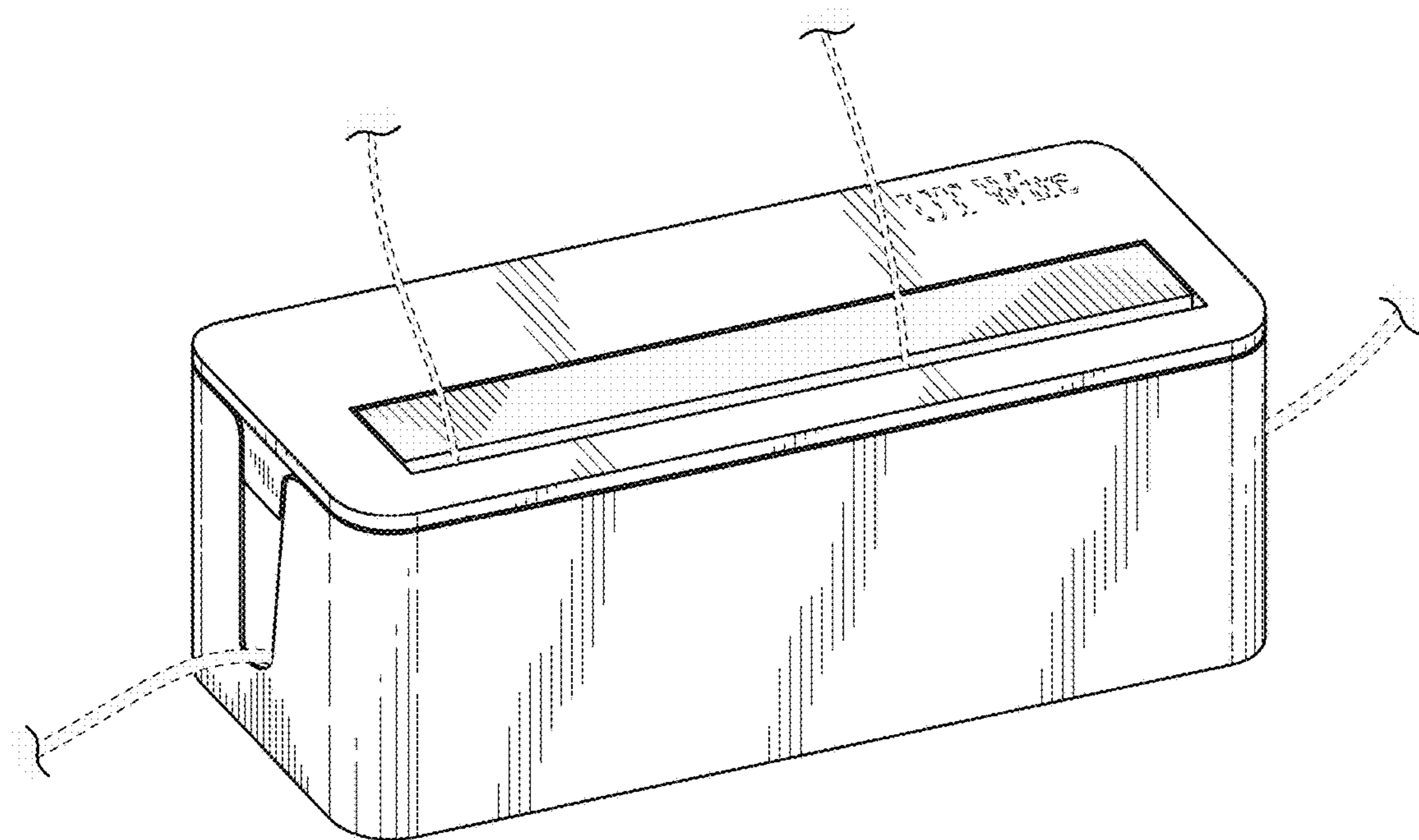


FIG. 1

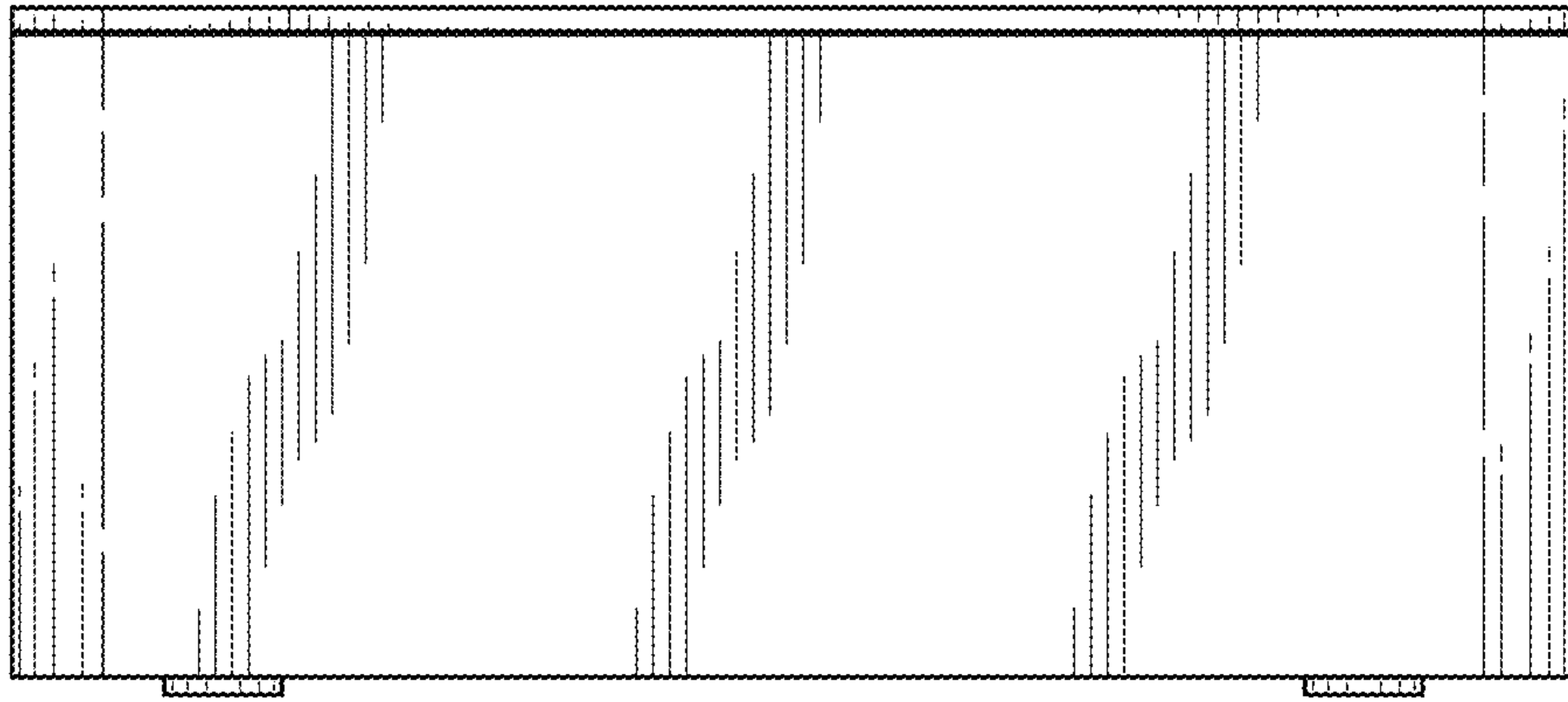


FIG. 2

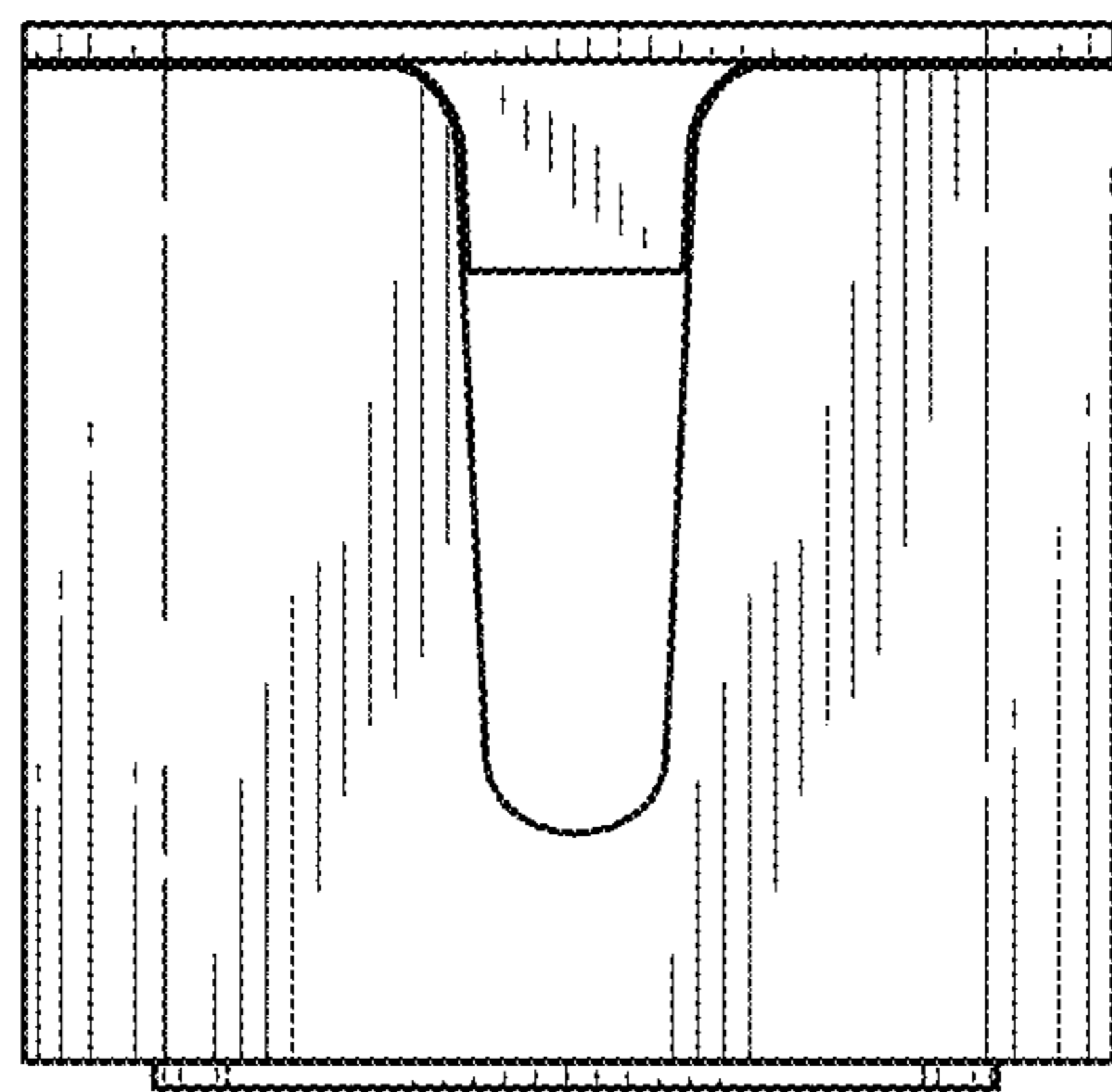


FIG. 3

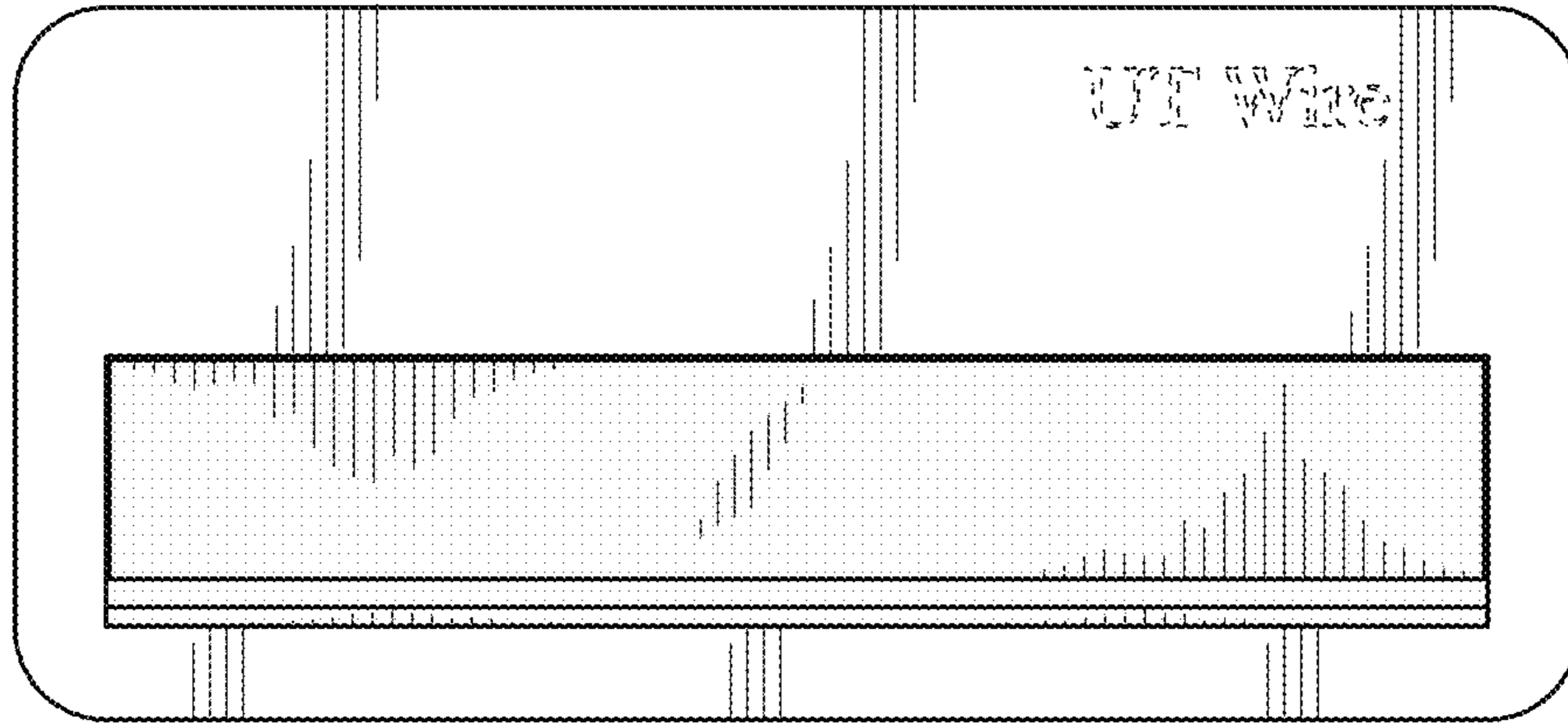


FIG. 4

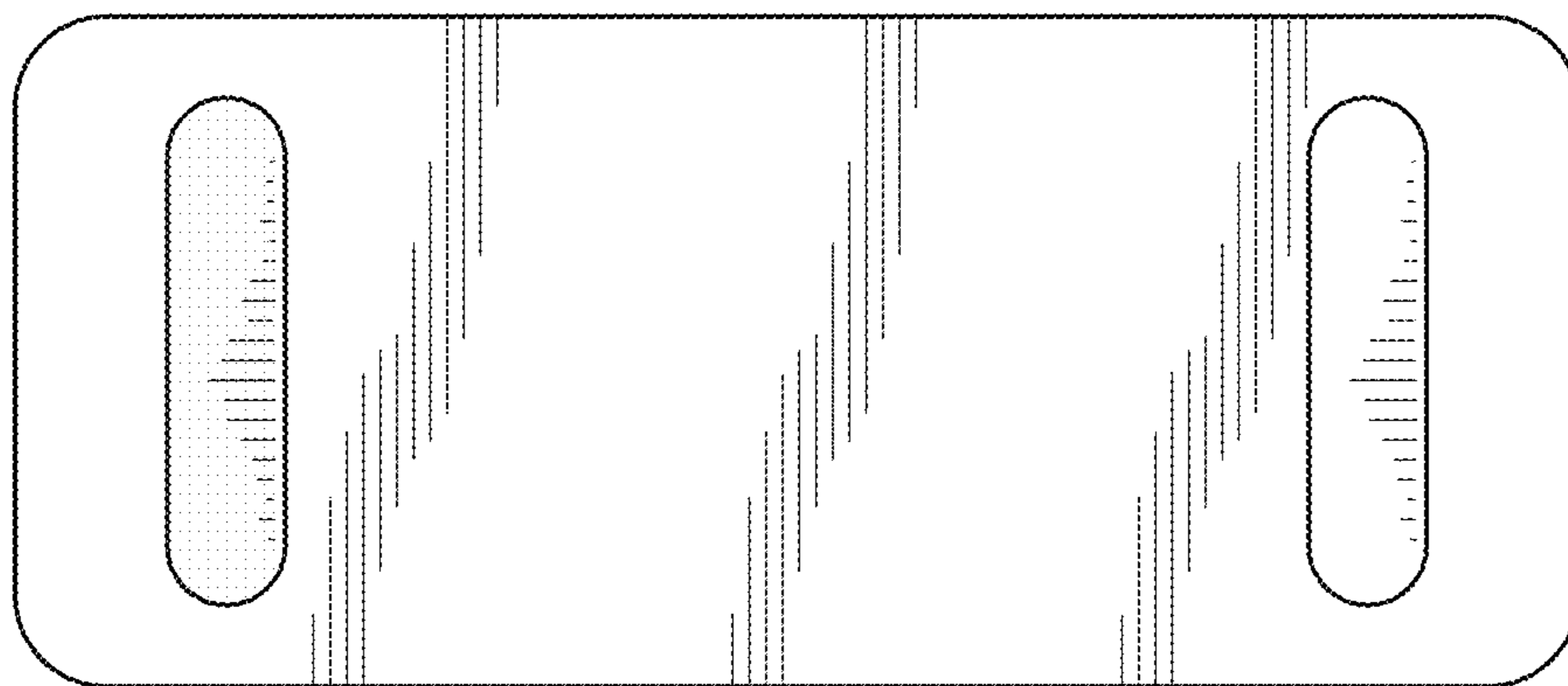


FIG. 5