



US00D782280S

(12) **United States Design Patent** (10) **Patent No.:** **US D782,280 S**  
**Claussen et al.** (45) **Date of Patent:** **\*\* Mar. 28, 2017**

(54) **SPRAY HOOD ATTACHMENT SYSTEM**

(71) Applicant: **Willmar Fabrication, LLC**, Willmar, MN (US)

(72) Inventors: **Steven W. Claussen**, Glenwood, MN (US); **Justin D. Buetow**, Hutchinson, MN (US); **John P. Kennedy, III**, Willmar, MN (US)

(73) Assignee: **CLAUSSEN TECHNOLOGY, LLC**, Naples, FL (US)

(\*\*) Term: **14 Years**

(21) Appl. No.: **29/506,405**

(22) Filed: **Oct. 15, 2014**

(51) **LOC (10) Cl.** ..... **11-05**

(52) **U.S. Cl.**  
USPC ..... **D8/349**

(58) **Field of Classification Search**  
USPC ..... D8/349, 354–355, 373, 380, 382–383, D8/394, 396; D13/102, 118, 149, 154,  
(Continued)

(56) **References Cited**

U.S. PATENT DOCUMENTS

556,447	A	3/1896	Van Deusen
1,527,669	A	2/1925	Camp

(Continued)

FOREIGN PATENT DOCUMENTS

CA	689054	6/1964
FR	1314571	1/1963

OTHER PUBLICATIONS

SPK645 Self-Propelled Retrofit Broadcast Hoods—YouTube.pdf [at 1:23] [Nov. 4, 2013] [ONLINE] [retrieved Feb. 1, 2016], <URL:https://www.youtube.com/watch?v=pe-Bjysn86s>.\*

“94-95” catalog illustrating “Hose Shank Nozzle Bodies and Vari-S-pacing Clamps,” p. 61; Custom Ag Products, Inc., Benson, MN; 1 page.  
U.S. Appl. No. 29/461,212, filed Jul. 19, 2013.

*Primary Examiner* — Rosemary K Tarcza  
*Assistant Examiner* — Nathaniel D Buckner  
(74) *Attorney, Agent, or Firm* — Mueting, Raasch & Gebhardt, P.A.

(57) **CLAIM**

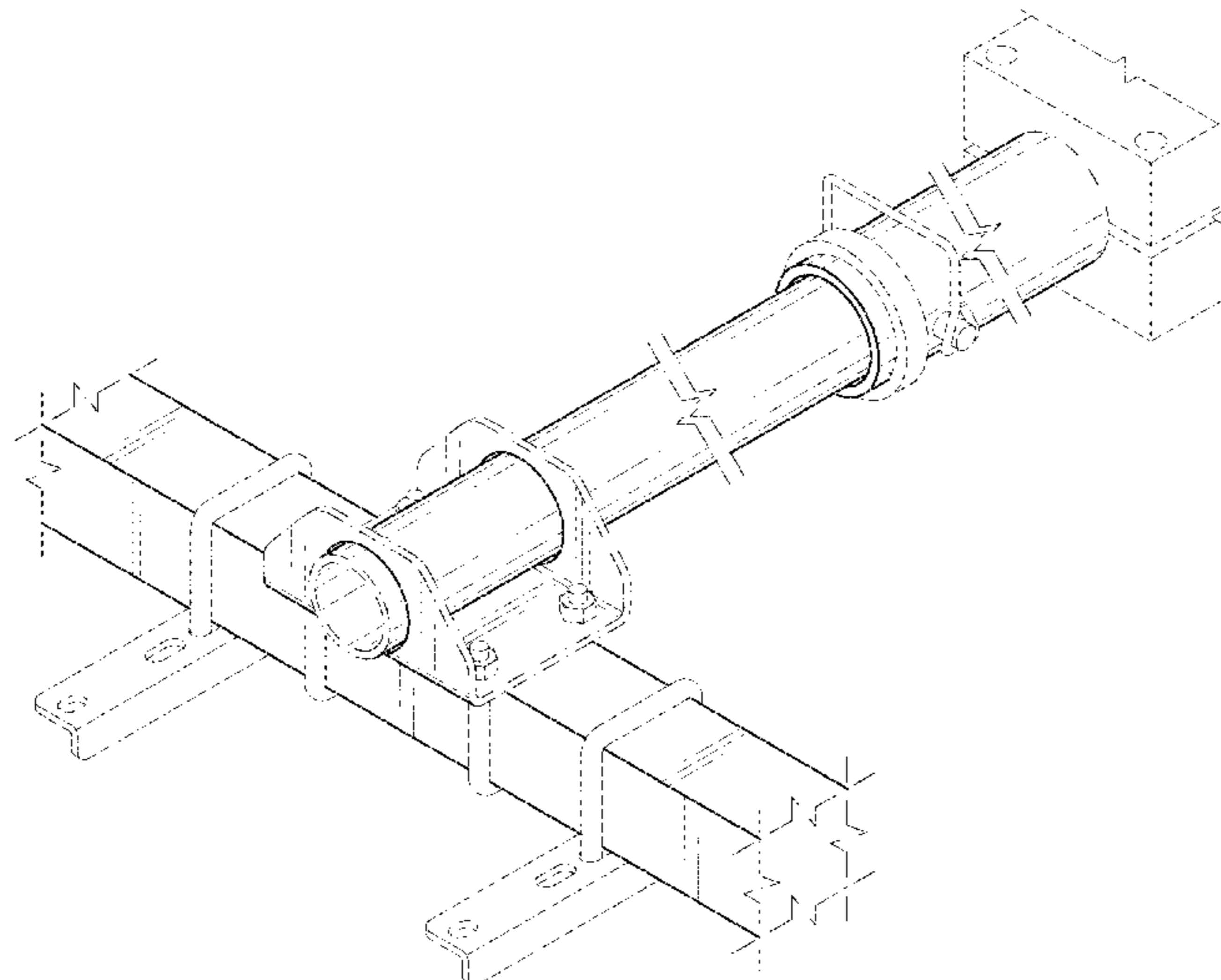
The ornamental design for a spray hood attachment system, as shown and described.

**DESCRIPTION**

FIG. 1 is a perspective view of a spray hood attachment system;  
FIG. 2 is a front elevation view of the spray hood attachment system of FIG. 1;  
FIG. 3 is a left side elevation view of the spray hood attachment system of FIG. 1;  
FIG. 4 is a right side elevation view of the spray hood attachment system of FIG. 1;  
FIG. 5 is a top plan view of the spray hood attachment system of FIG. 1;  
FIG. 6 is a bottom plan view of the spray hood attachment system of FIG. 1; and,  
FIG. 7 is a rear elevation view of the spray hood attachment system of FIG. 1.

In the drawings, the dash-dash broken lines illustrate environmental structure or unclaimed subject matter, and form no part of the claimed design. The dot-dash broken lines in the figures immediately adjacent the solid lines represent a boundary between claimed and unclaimed subject matter and form no part of the claimed design. The broken away symbols in the drawings indicate that any portion of the article beyond what is shown forms no part of the claimed design.

**1 Claim, 7 Drawing Sheets**





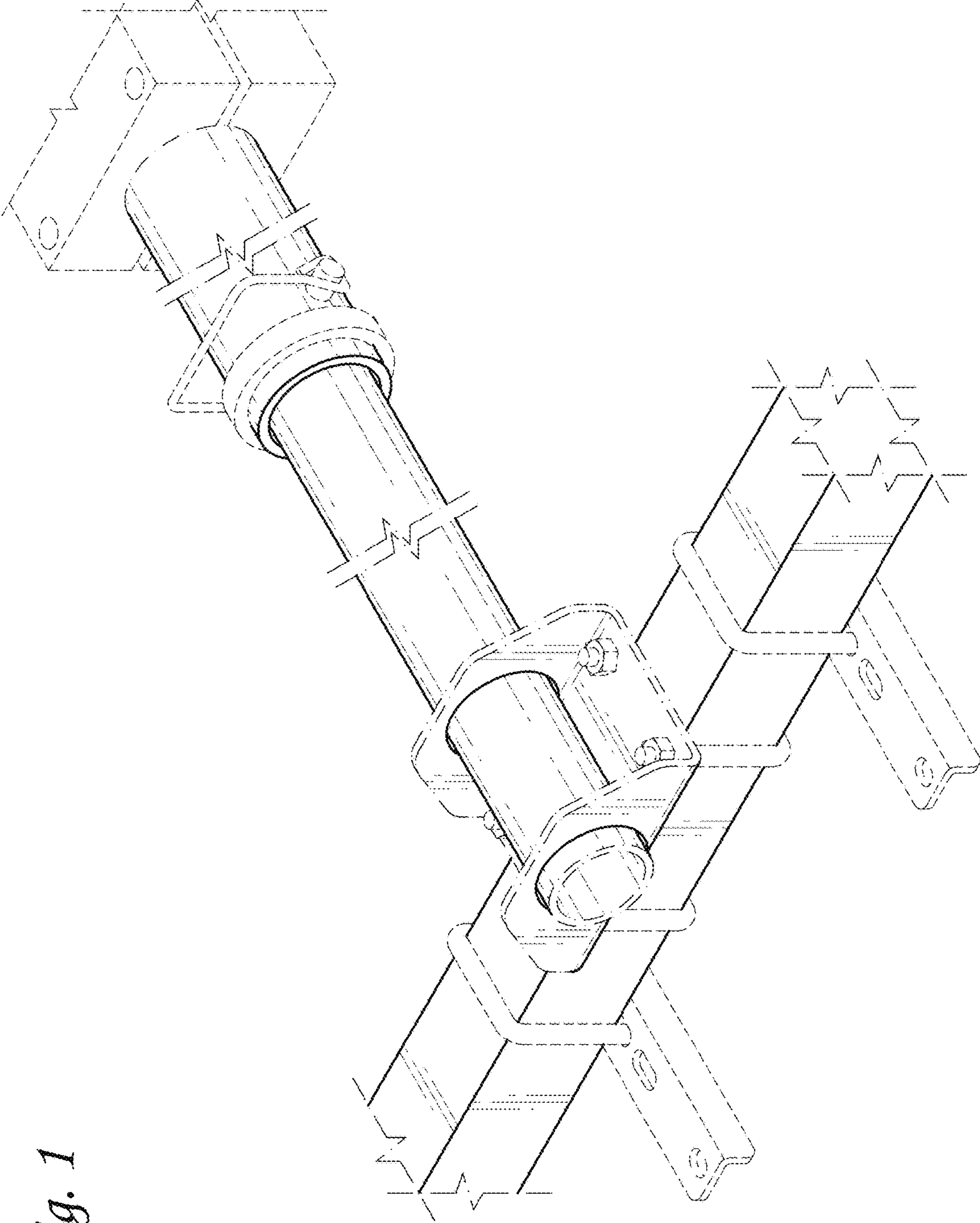


Fig. 1

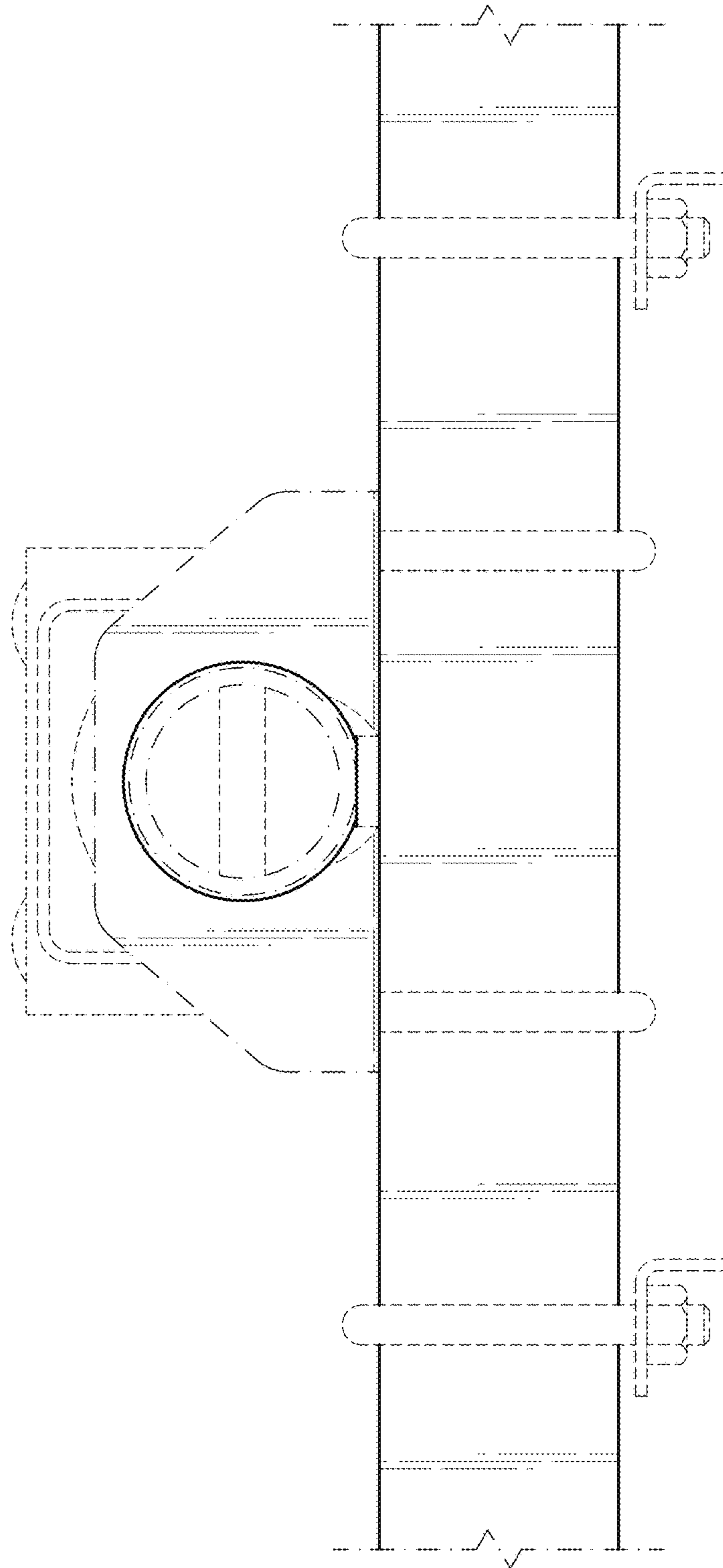
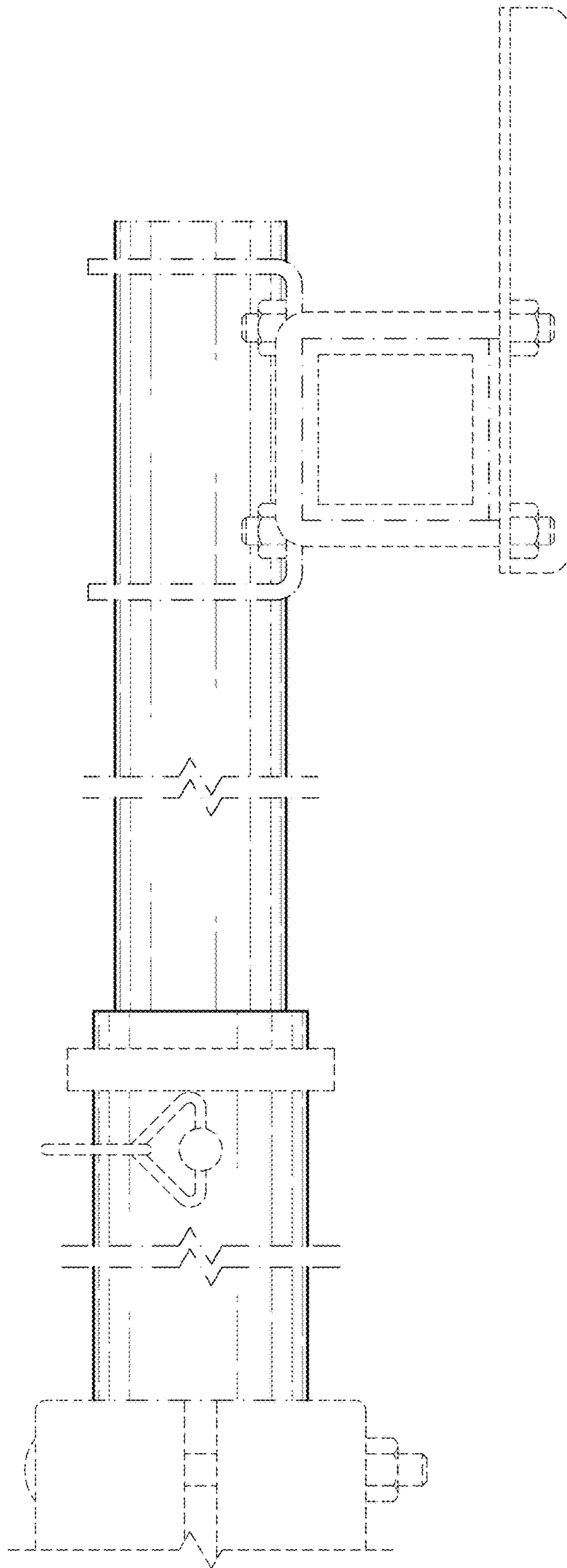


Fig. 2





*Fig. 3*

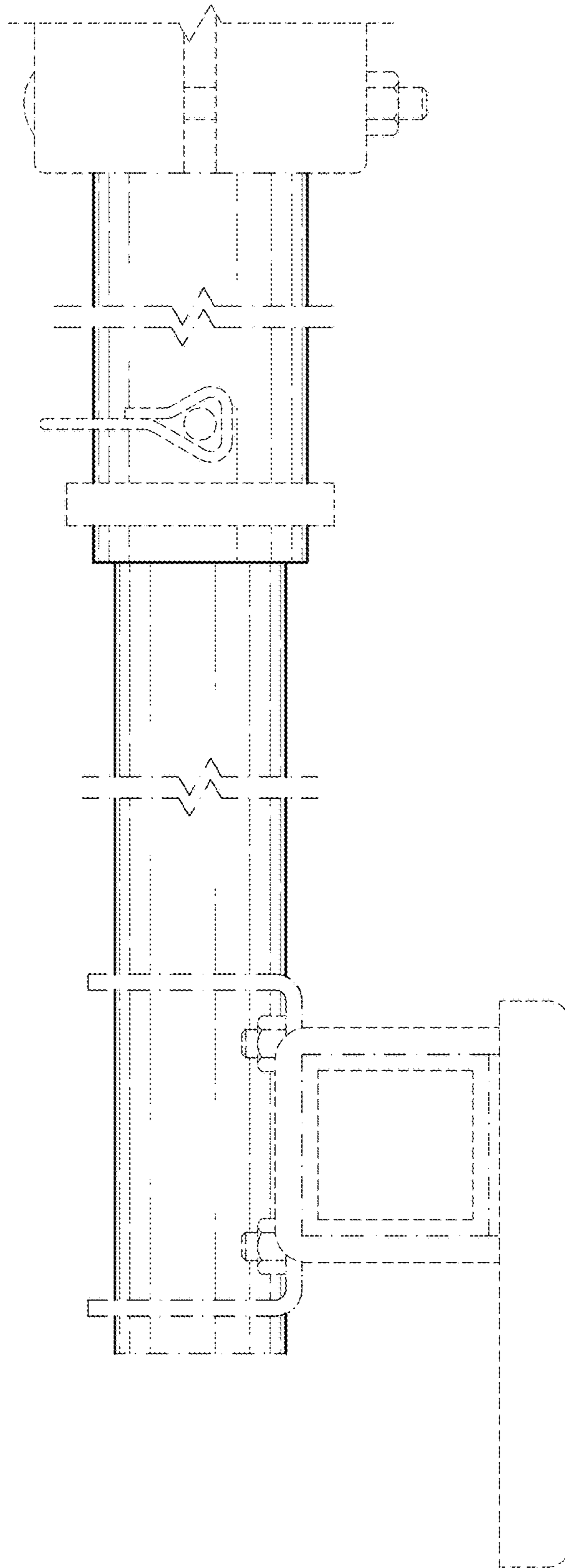
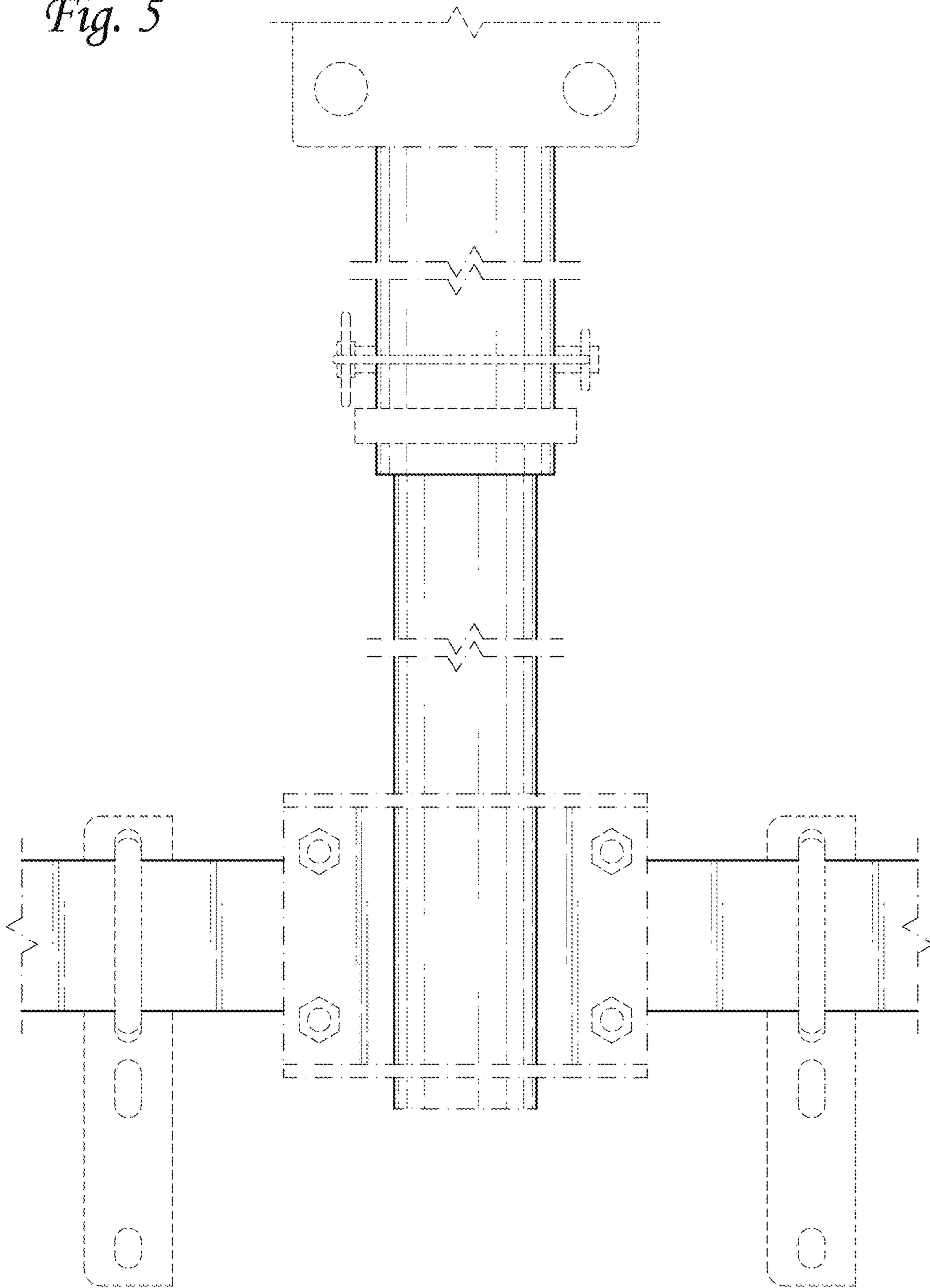
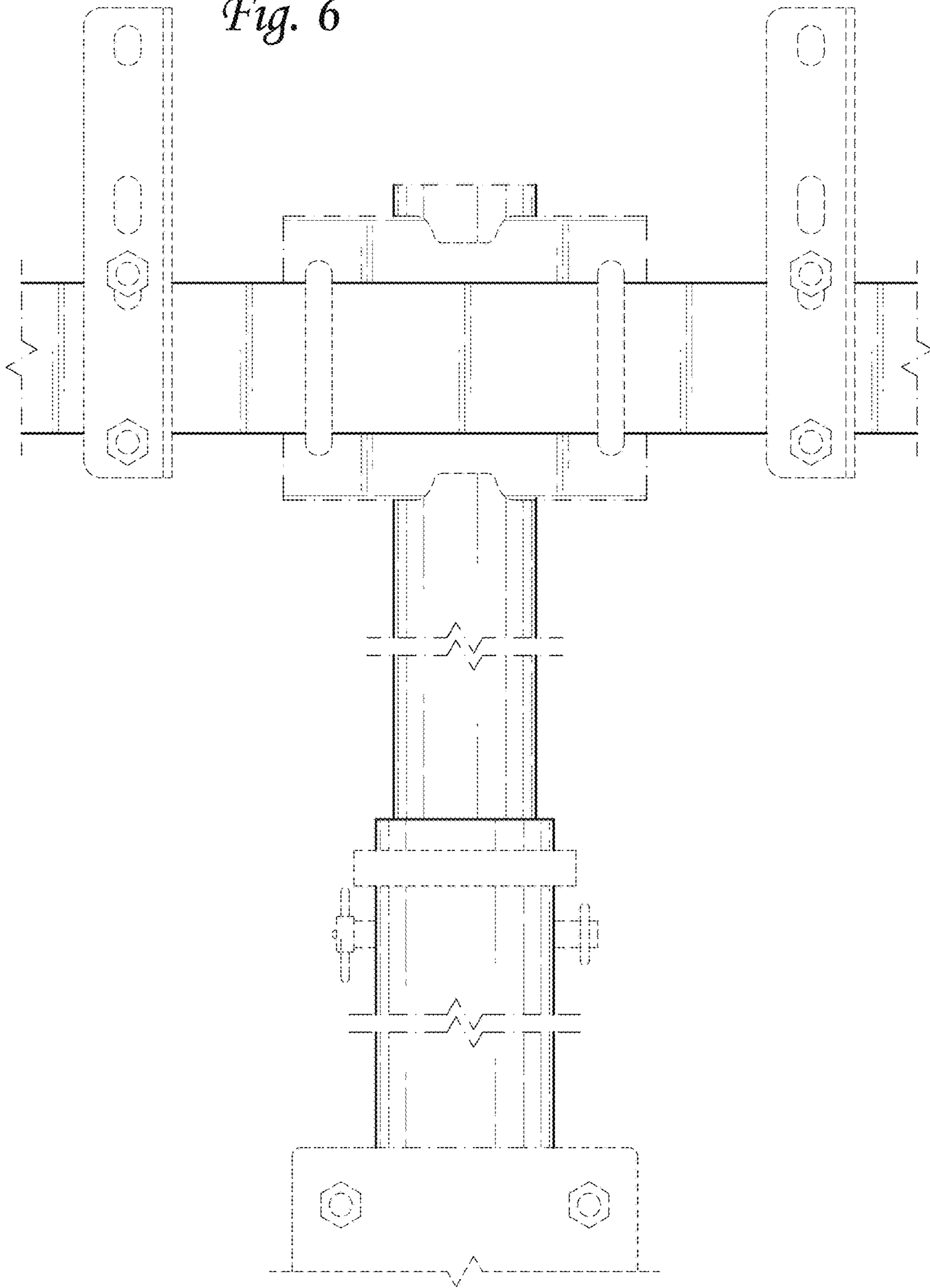


Fig. 4

*Fig. 5*



*Fig. 6*





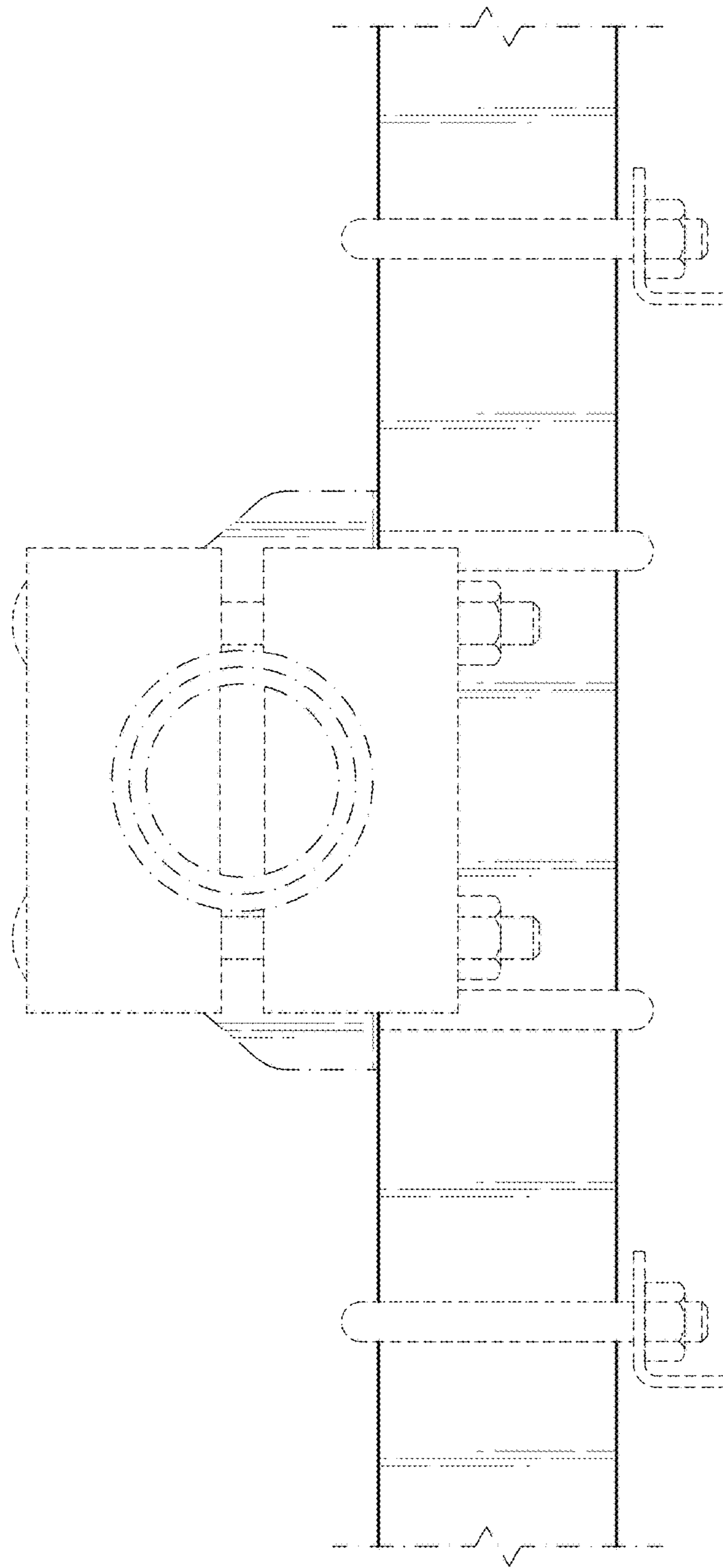


Fig. 7