



US00D782279S

(12) **United States Design Patent** (10) **Patent No.:** **US D782,279 S**  
**Baker** (45) **Date of Patent:** **\*\* Mar. 28, 2017**

(54) **LOCK**

(71) Applicant: **Airbolt Pty Ltd**, Bulleen, Victoria (AU)

(72) Inventor: **Lee Andrew Baker**, Preston (AU)

(73) Assignee: **Airbolt Pty Ltd** (AU)

(\*\*) Term: **15 Years**

(21) Appl. No.: **29/552,267**

(22) Filed: **Jan. 21, 2016**

(30) **Foreign Application Priority Data**

Jul. 21, 2015 (AU) ..... 201513644

(51) **LOC (10) Cl.** ..... **08-07**

(52) **U.S. Cl.**  
USPC ..... **D8/334; D8/333**

(58) **Field of Classification Search**  
USPC ..... D8/330, 331, 333, 343, 339, 336, 349,  
D8/334, 354; 70/14-16, 18, 57, 25, 158,  
(Continued)

(56) **References Cited**

**U.S. PATENT DOCUMENTS**

1,172,970 A \* 2/1916 Fowler ..... E05B 37/025  
70/20  
5,044,180 A \* 9/1991 Lebrecht ..... E05B 67/28  
70/48

(Continued)

*Primary Examiner* — Prabhakar Deshmukh  
(74) *Attorney, Agent, or Firm* — Saidman DesignLaw Group, LLC

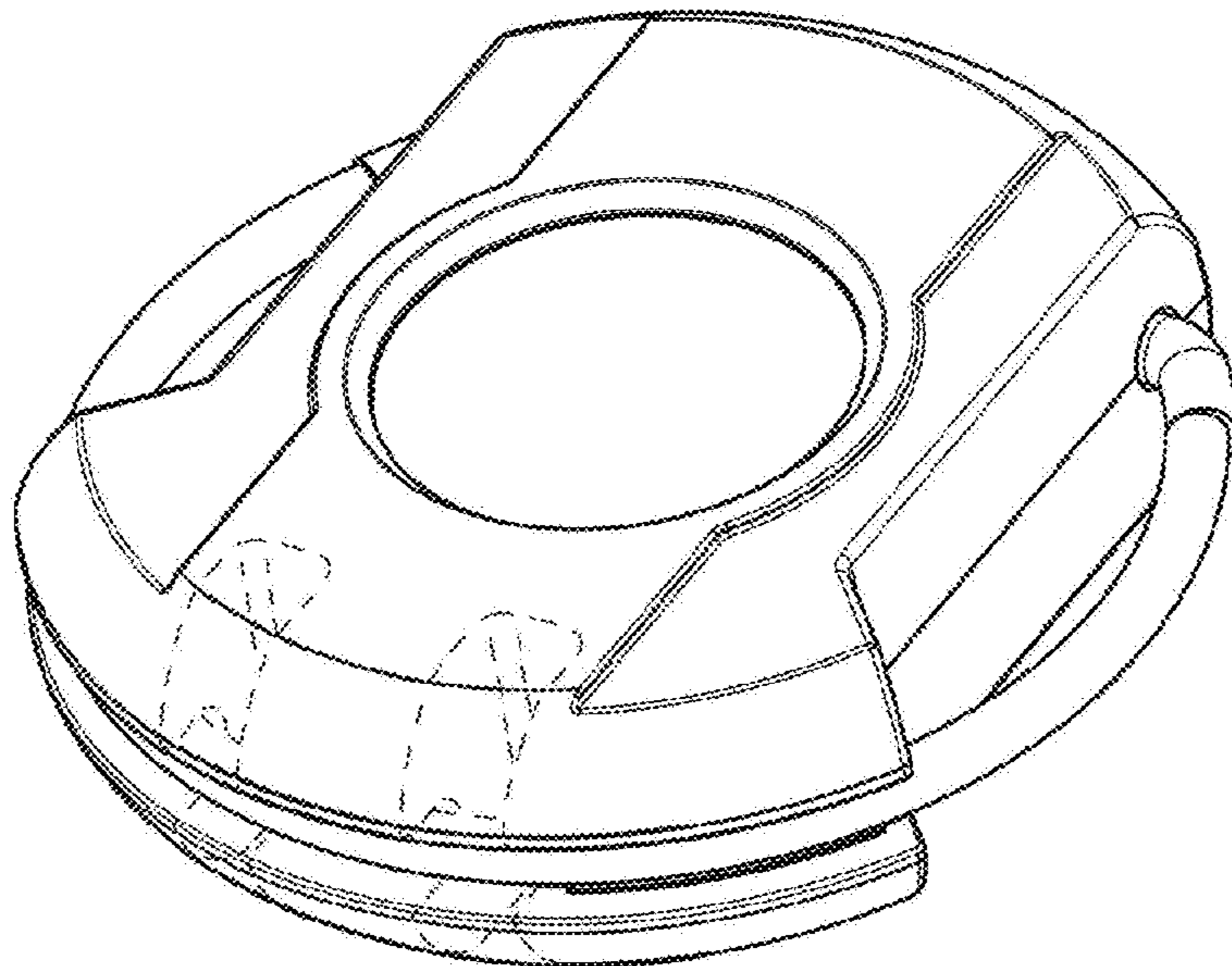
(57) **CLAIM**

The ornamental design for a lock, as shown and described.

**DESCRIPTION**

FIG. 1 is a front elevational view of a lock showing my new design;  
FIG. 2 is a rear elevational view thereof;  
FIG. 3 is a side elevational view thereof;  
FIG. 4 is another side elevational view thereof;  
FIG. 5 is a top plan view thereof;  
FIG. 6 is a bottom plan view thereof;  
FIG. 7 is a front elevational view thereof, shown in an alternate position;  
FIG. 8 is a rear elevational view of FIG. 7;  
FIG. 9 is a side elevational view of FIG. 7;  
FIG. 10 is another side elevational view of FIG. 7;  
FIG. 11 is a top plan view of FIG. 7;  
FIG. 12 is a bottom plan view of FIG. 7;  
FIG. 13 is a bottom perspective view of FIG. 1;  
FIG. 14 is a top perspective view of FIG. 1;  
FIG. 15 is a front elevational view of a second embodiment of the lock;  
FIG. 16 is a rear elevational view of FIG. 15;  
FIG. 17 is a side elevational view of FIG. 15;  
FIG. 18 is another side elevational view of FIG. 15;  
FIG. 19 is a top plan view of FIG. 15;  
FIG. 20 is a bottom plan view of FIG. 15;  
FIG. 21 is a front elevational view of FIG. 15, shown in an alternate position;  
FIG. 22 is a rear elevational view of FIG. 21;  
FIG. 23 is a side elevational view of FIG. 21;  
FIG. 24 is another side elevational view of FIG. 21;  
FIG. 25 is a top plan view of FIG. 21;  
FIG. 26 is a bottom plan view of FIG. 21;  
FIG. 27 is a bottom perspective view of FIG. 15; and,  
FIG. 28 is a top perspective view of FIG. 15.  
The broken lines indicate unclaimed portions and form no part of the claimed design.

**1 Claim, 6 Drawing Sheets**



(58) **Field of Classification Search**

USPC .... 70/163-168, 233, 38 A, 38 C, 23, 20, 30,  
70/51, 57.1, 202, 203, 431, 448, 465,  
70/466;  
292/288, 290, 340  
CPC ..... E05B 67/08; E05B 67/00; E05B 67/02;  
E05B 2067/00; E05B 9/00; E05B 63/00  
See application file for complete search history.

(56) **References Cited**

U.S. PATENT DOCUMENTS

5,901,587 A \* 5/1999 Chen ..... E05B 37/025  
70/28  
D426,763 S \* 6/2000 Adler ..... D8/334  
D435,428 S \* 12/2000 Ling ..... D8/333  
6,363,758 B1 \* 4/2002 Ling ..... E05B 37/025  
70/22  
D541,630 S \* 5/2007 Blomstrom ..... D8/334  
D548,042 S \* 8/2007 Smyczek ..... D8/334  
D632,541 S \* 2/2011 Dresser ..... D8/330  
D638,685 S \* 5/2011 Schmidt ..... D8/334  
D662,395 S \* 6/2012 Schmidt ..... D8/334  
8,528,370 B2 \* 9/2013 Yu ..... E05B 67/003  
70/14  
D701,745 S \* 4/2014 Stevens ..... D8/333

\* cited by examiner

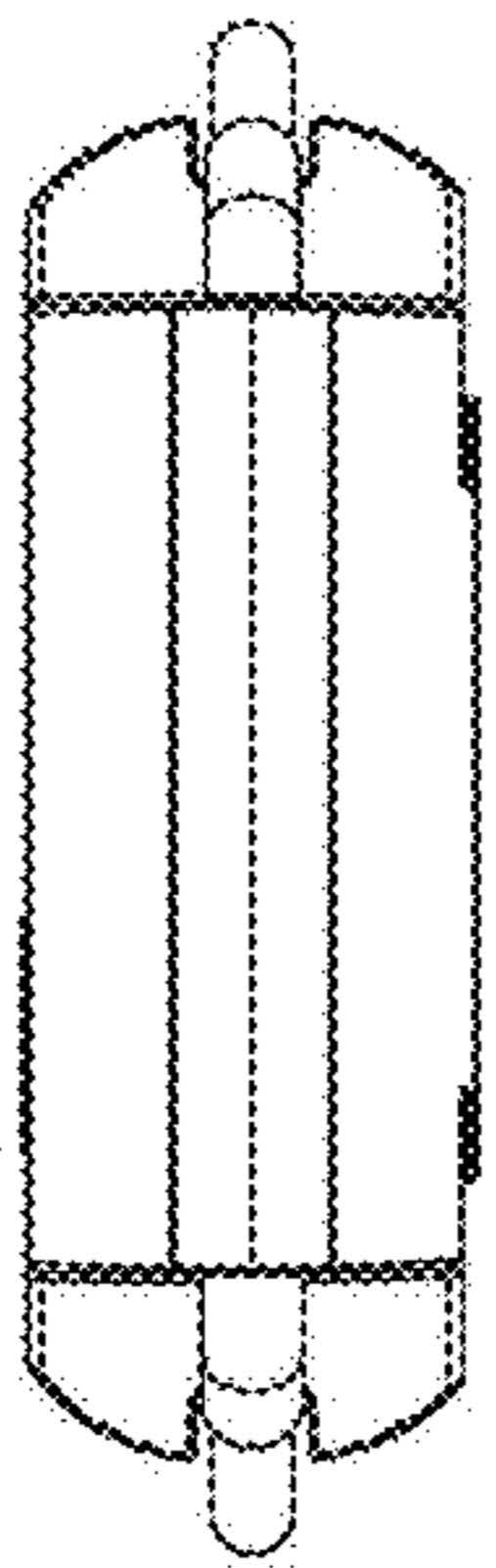


Figure 5

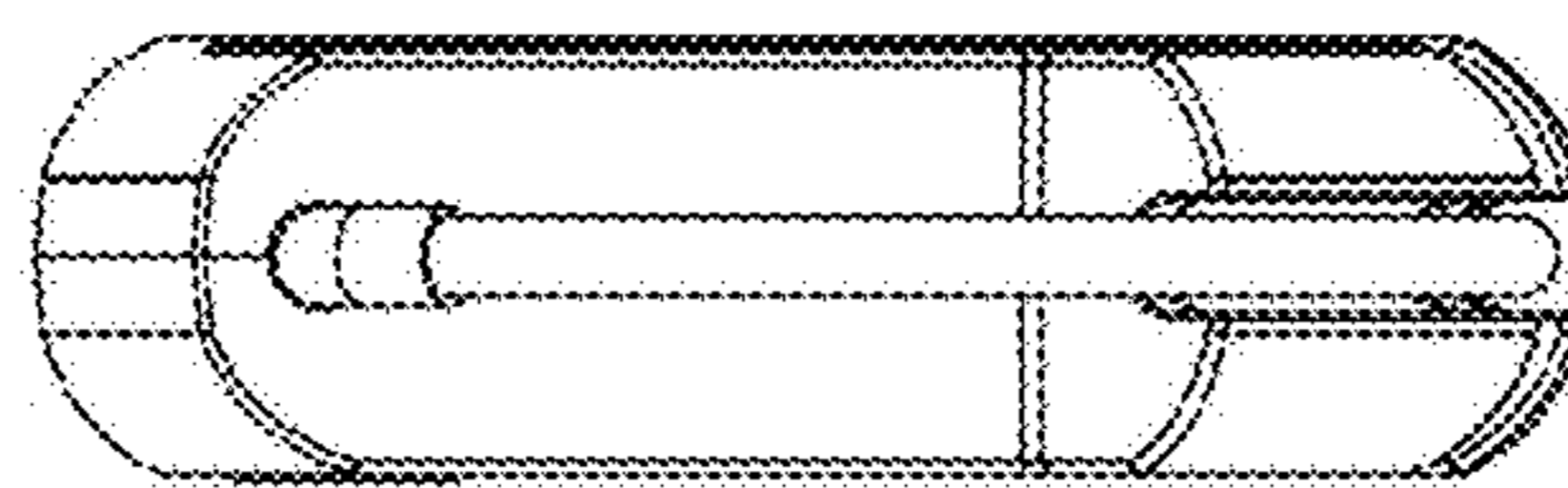


Figure 3

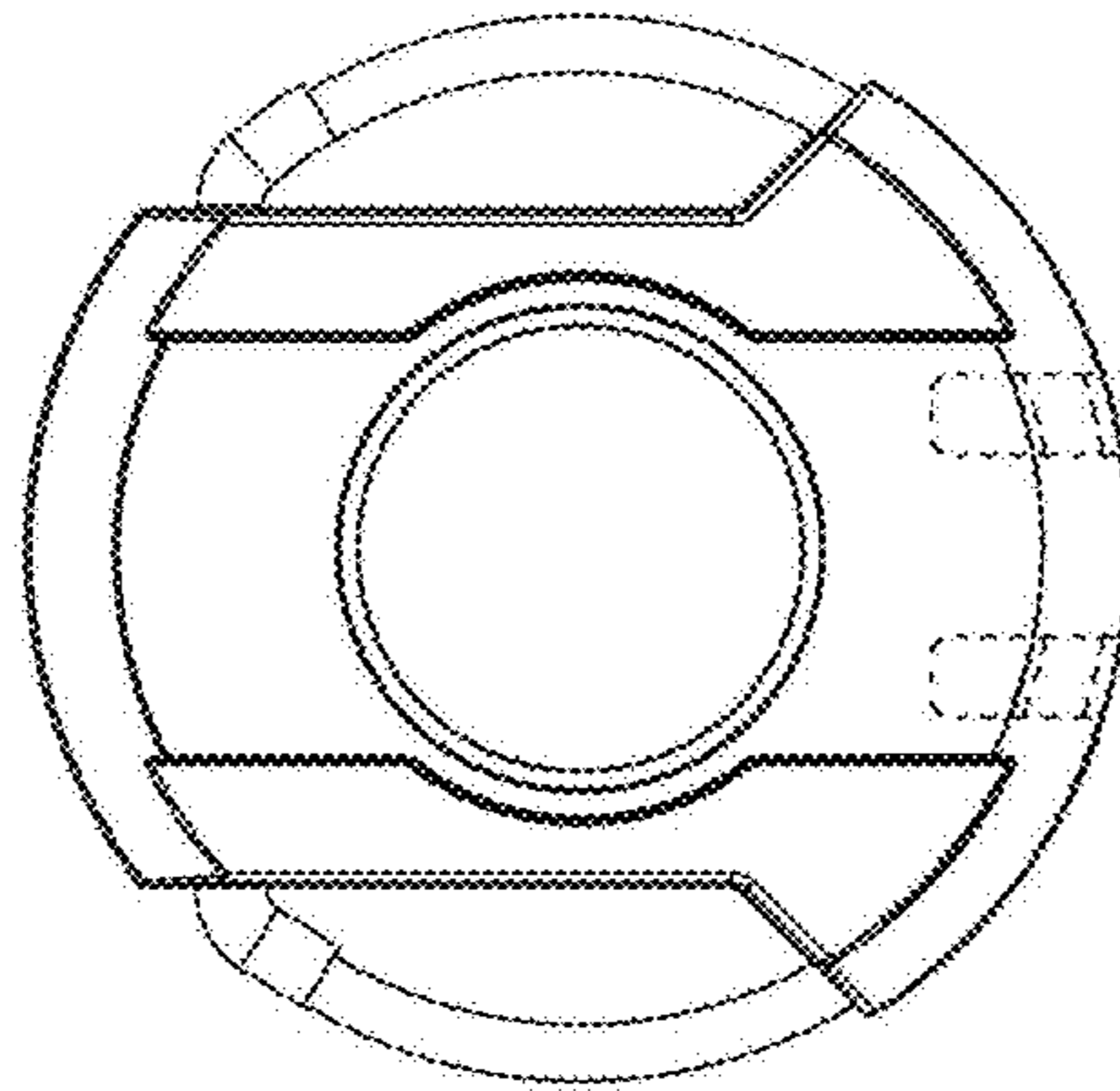


Figure 1

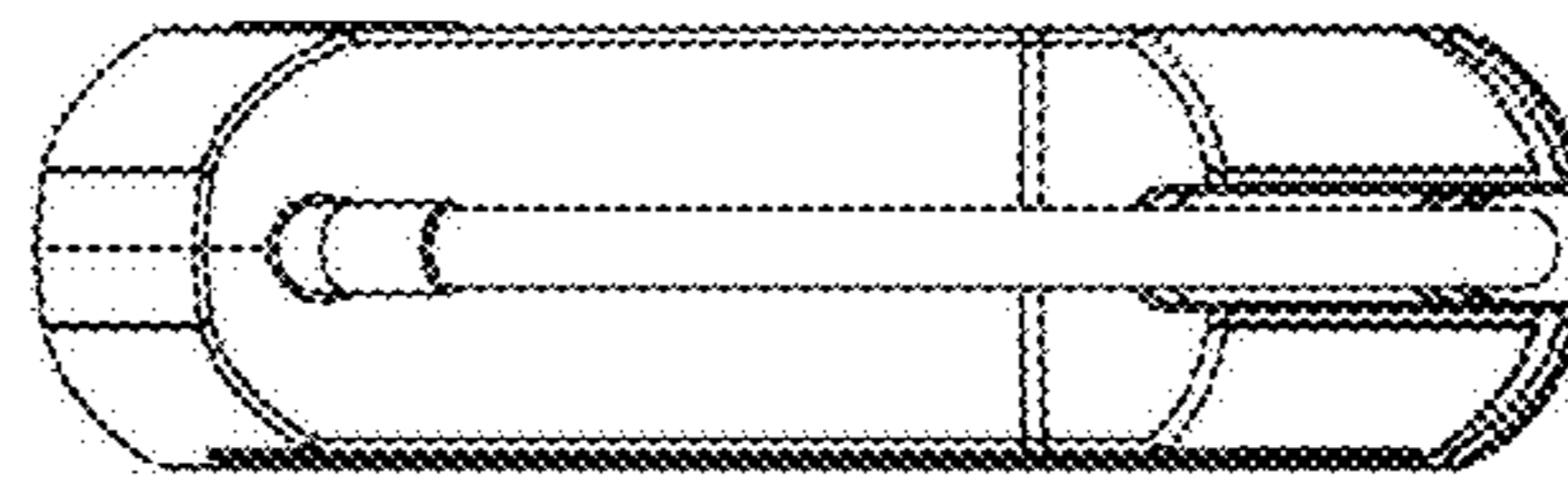


Figure 4

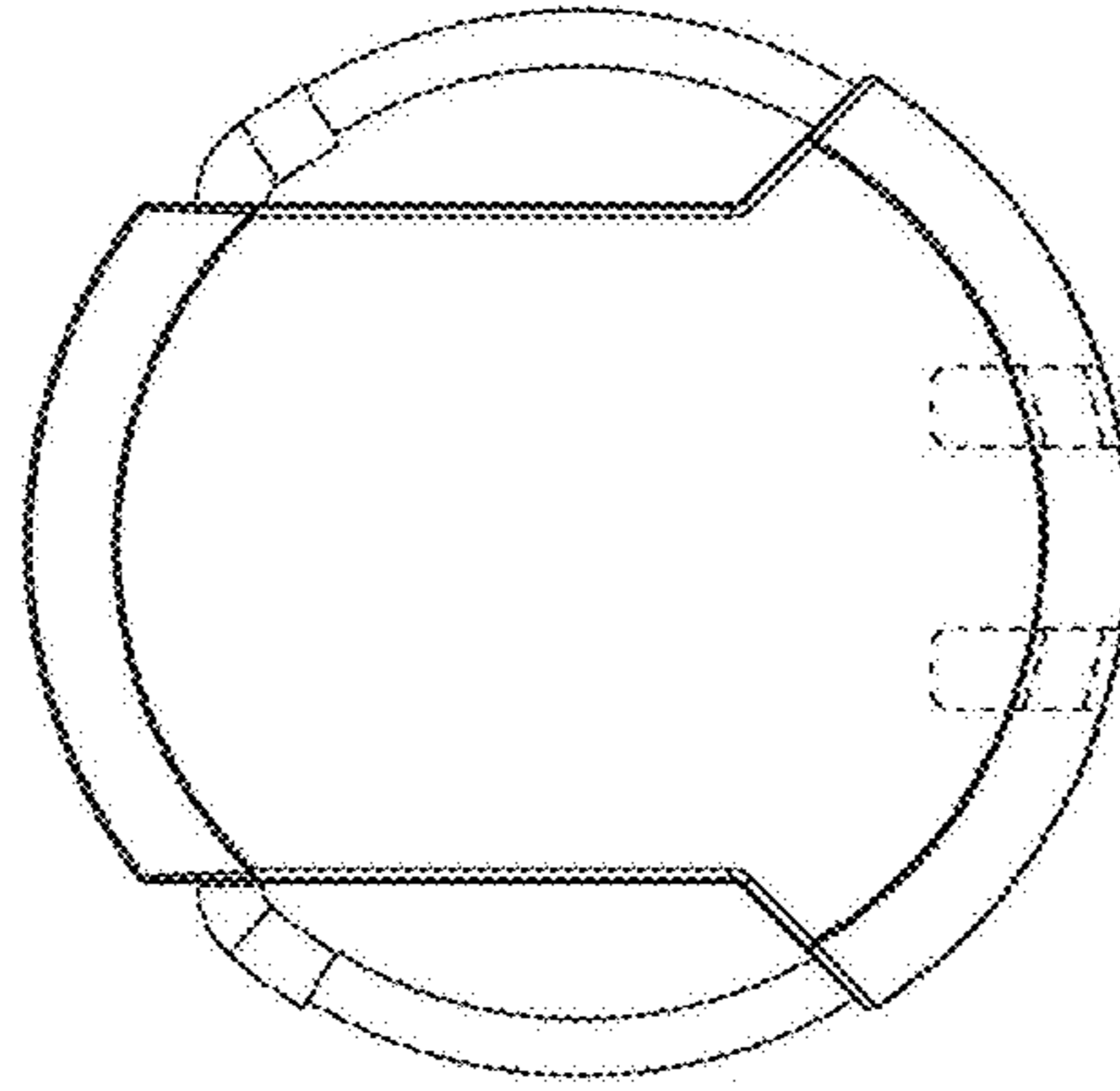


Figure 2

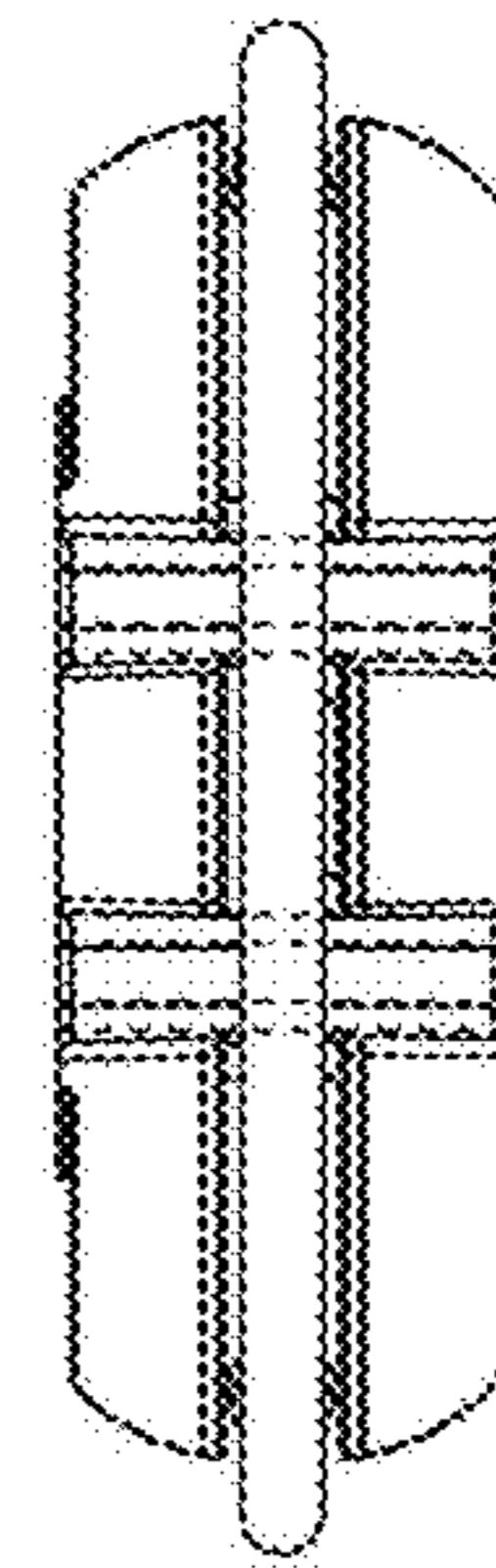


Figure 6



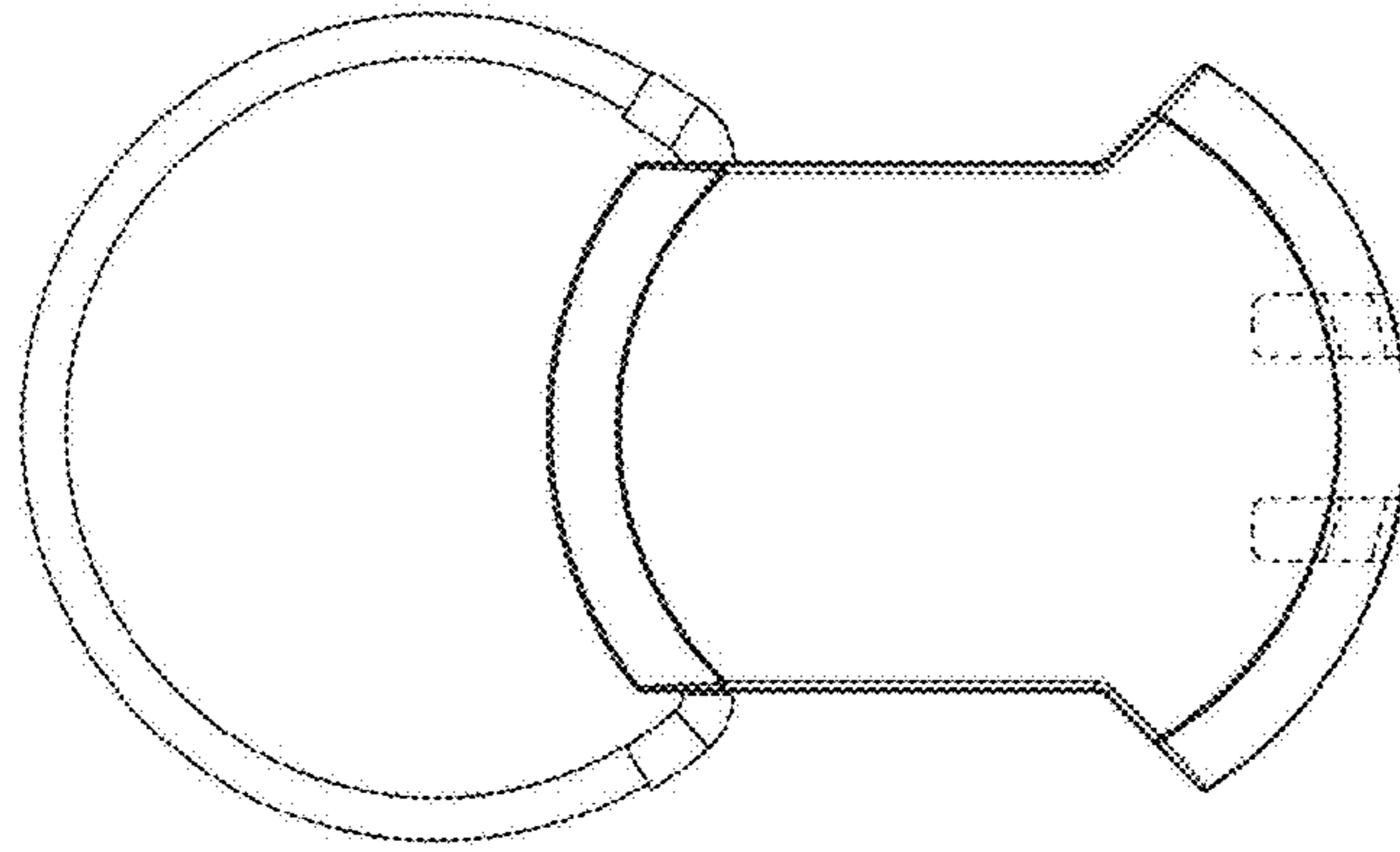


Figure 8

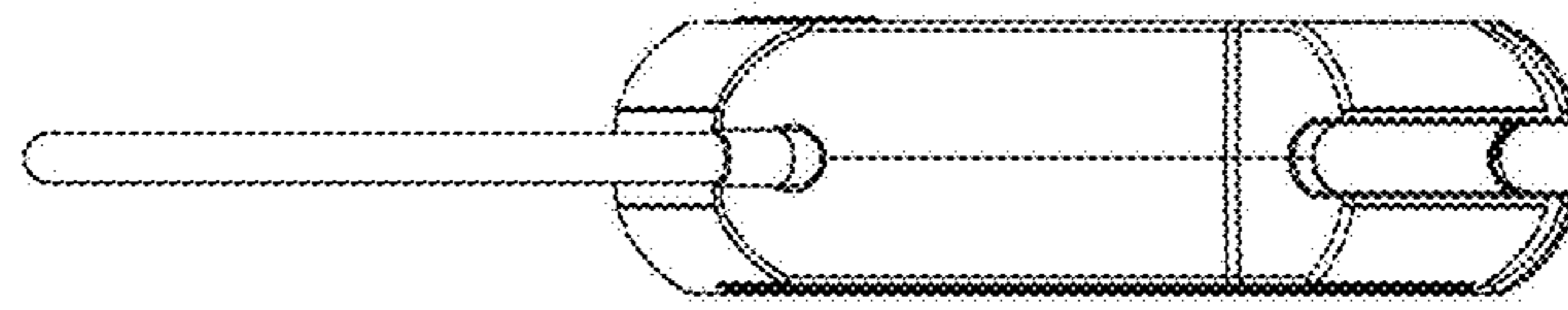


Figure 10

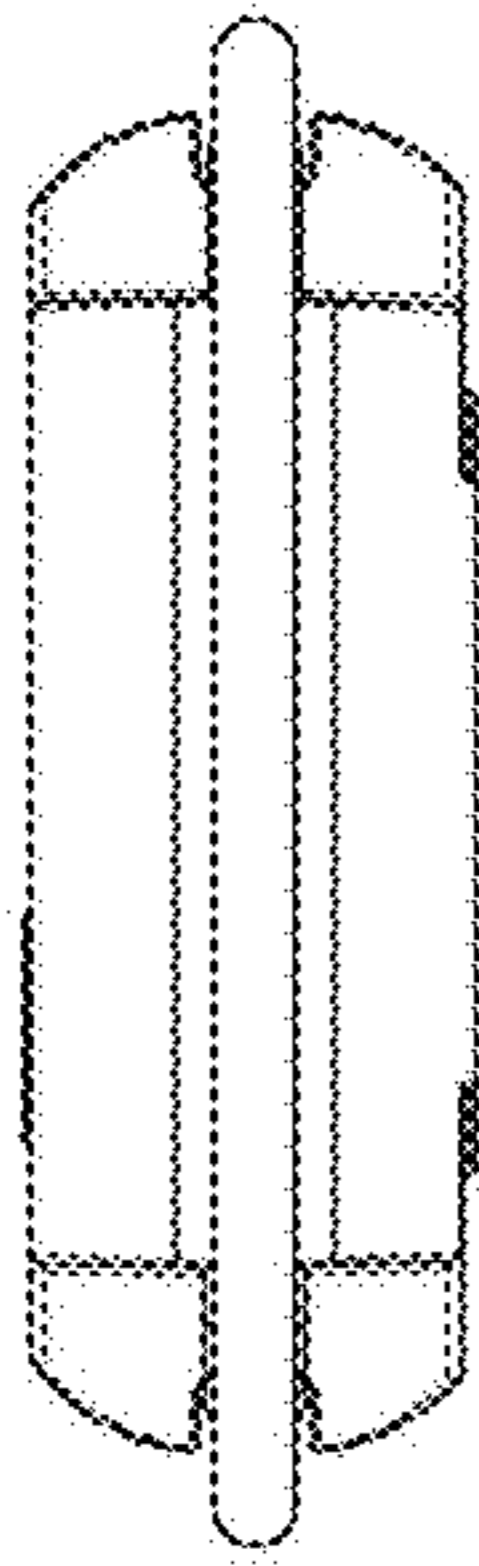


Figure 11

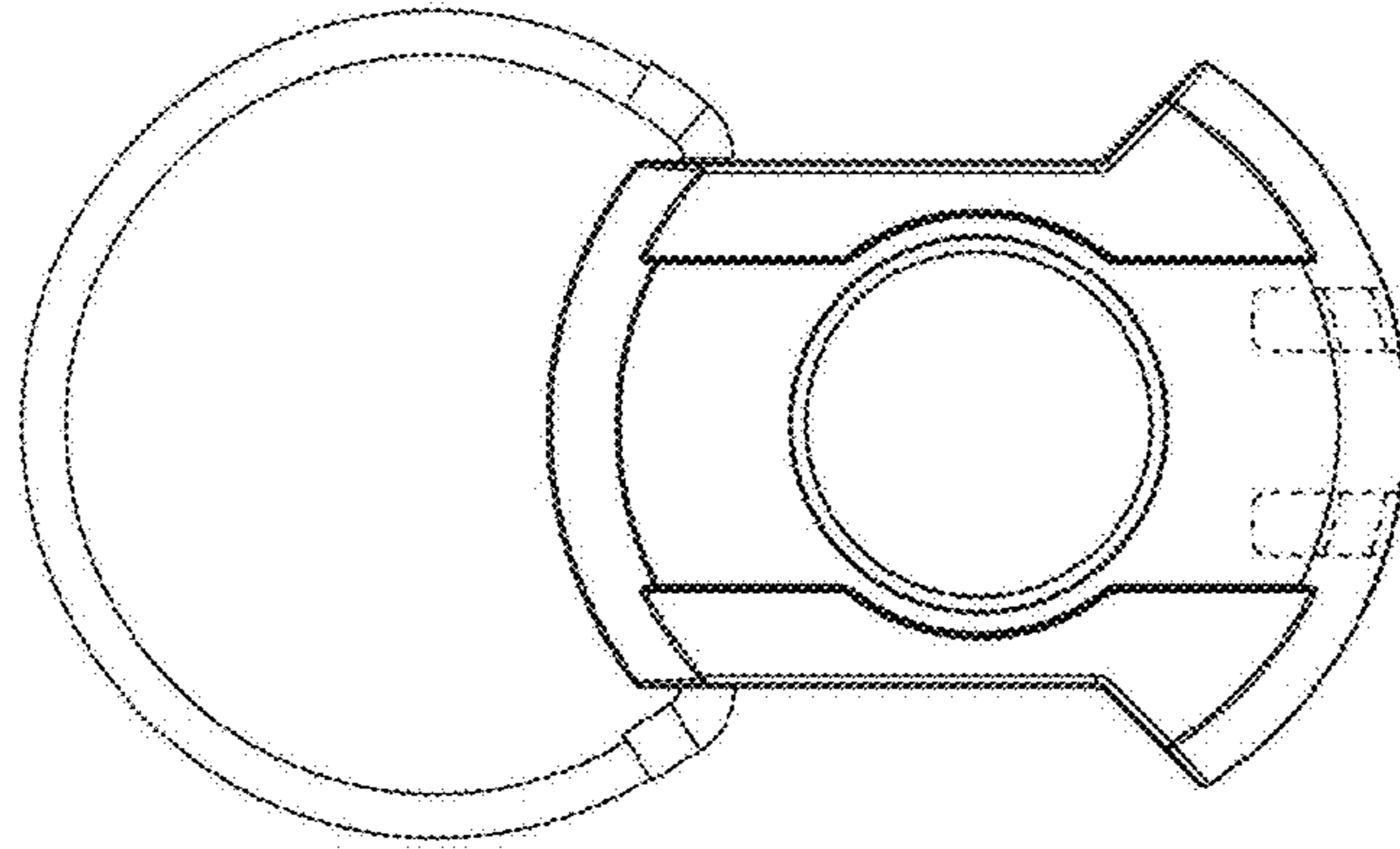


Figure 7



Figure 12

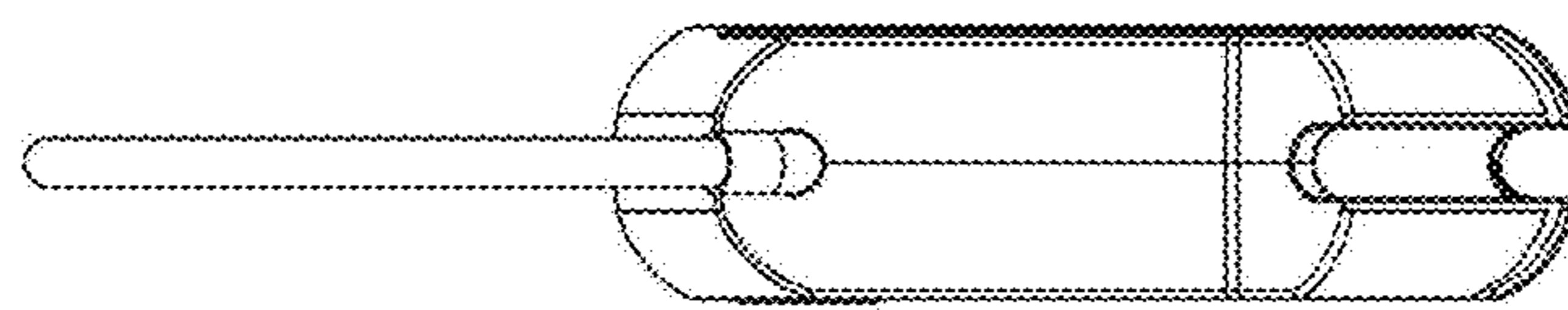


Figure 9

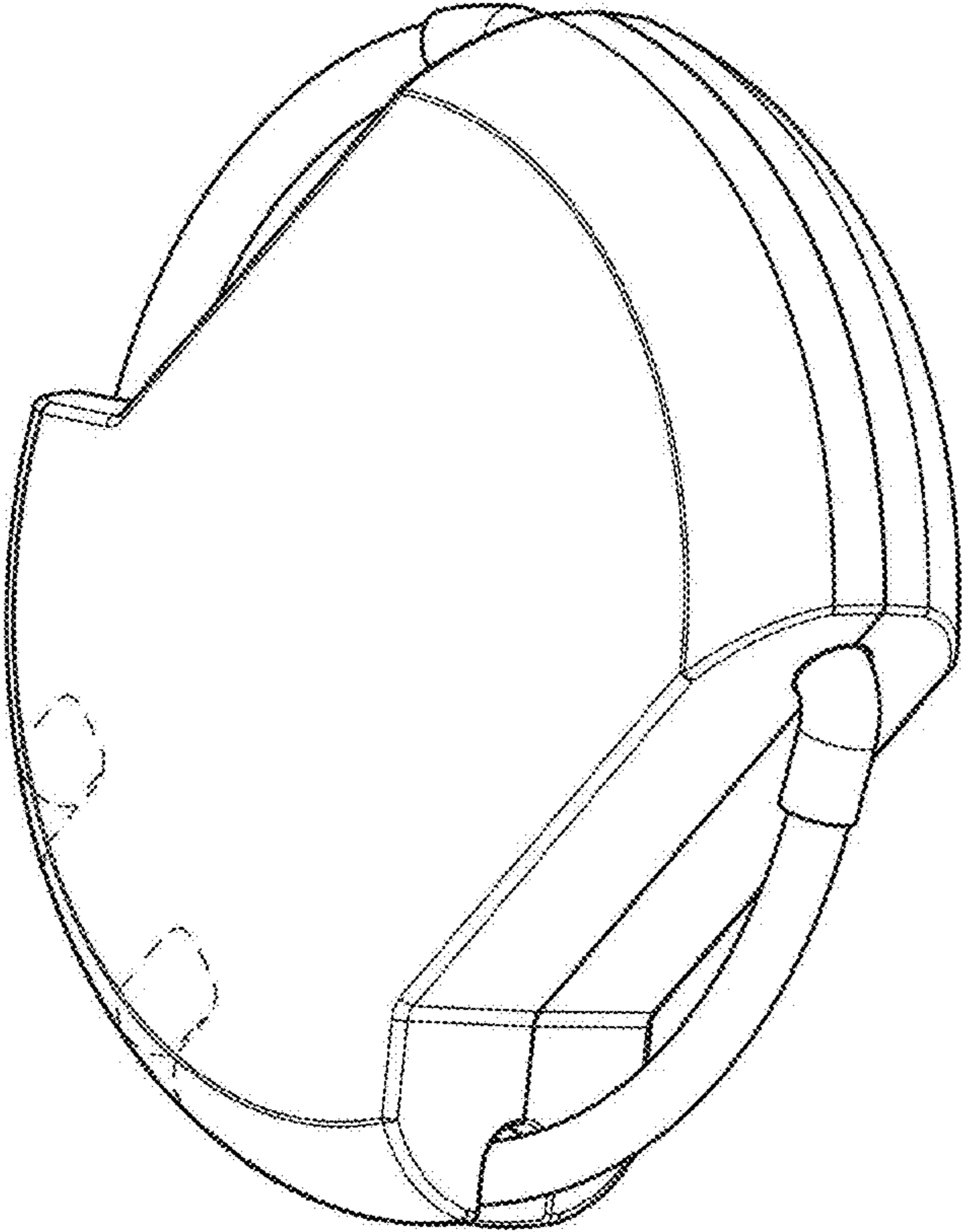


Figure 13

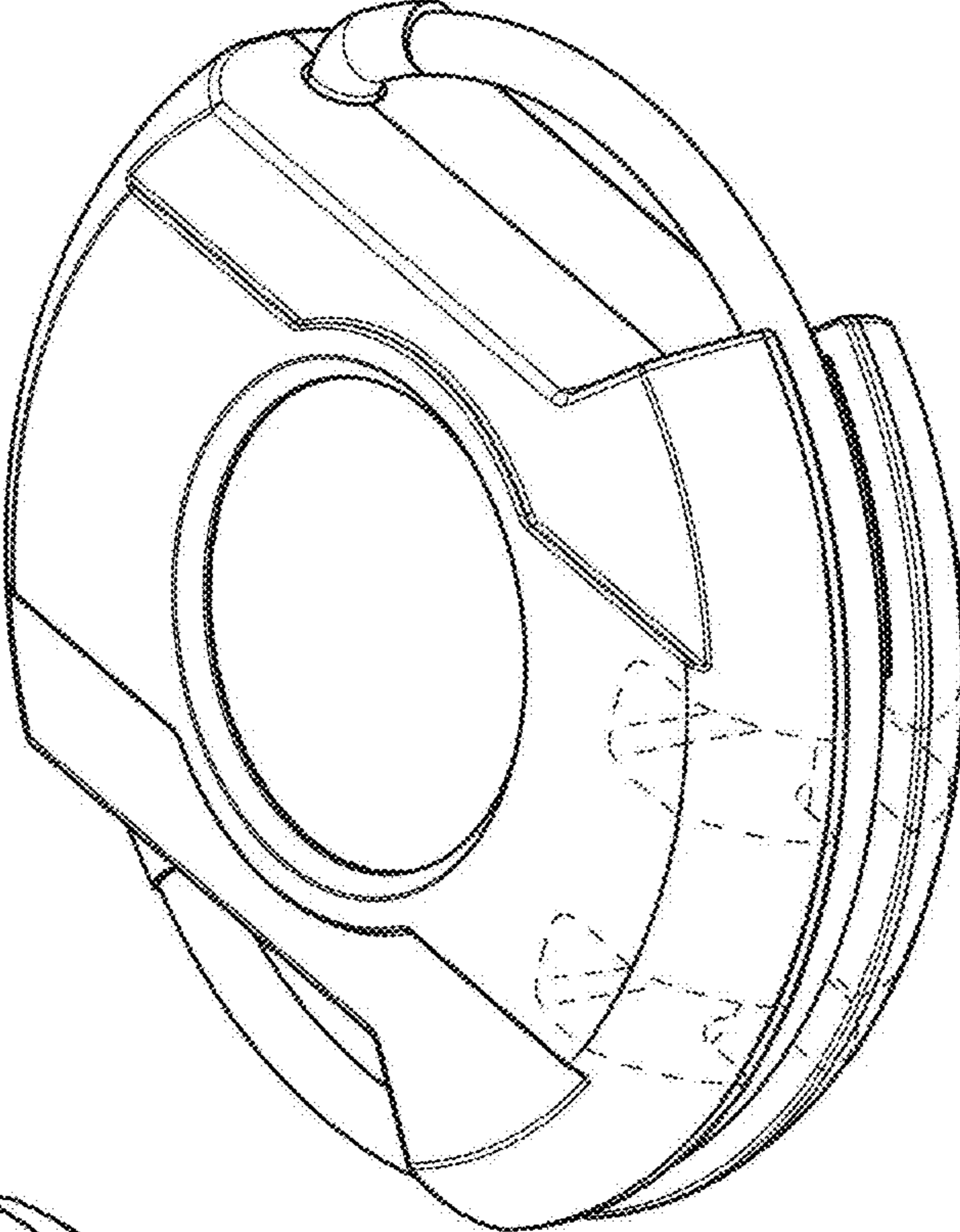


Figure 14

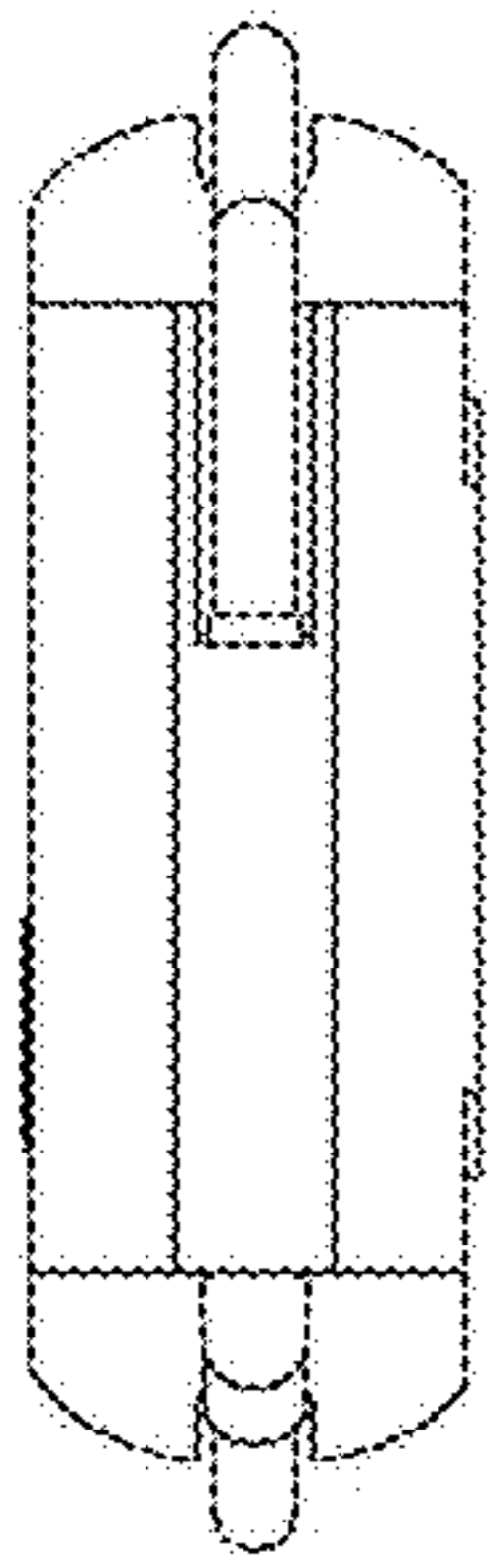


Figure 19

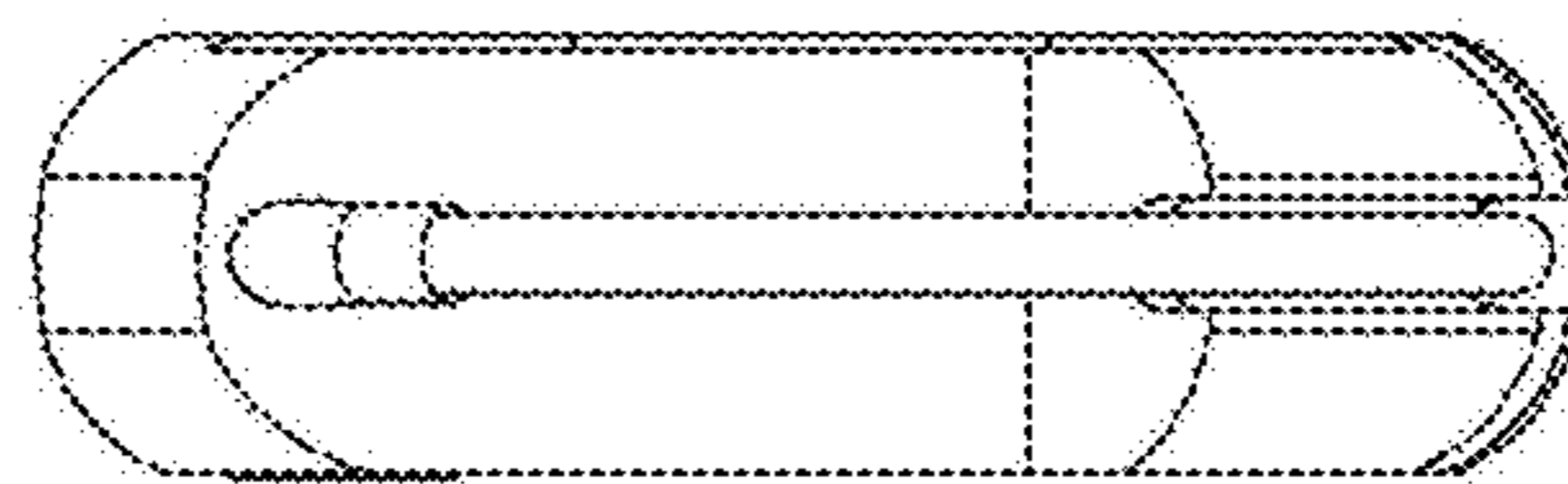


Figure 17

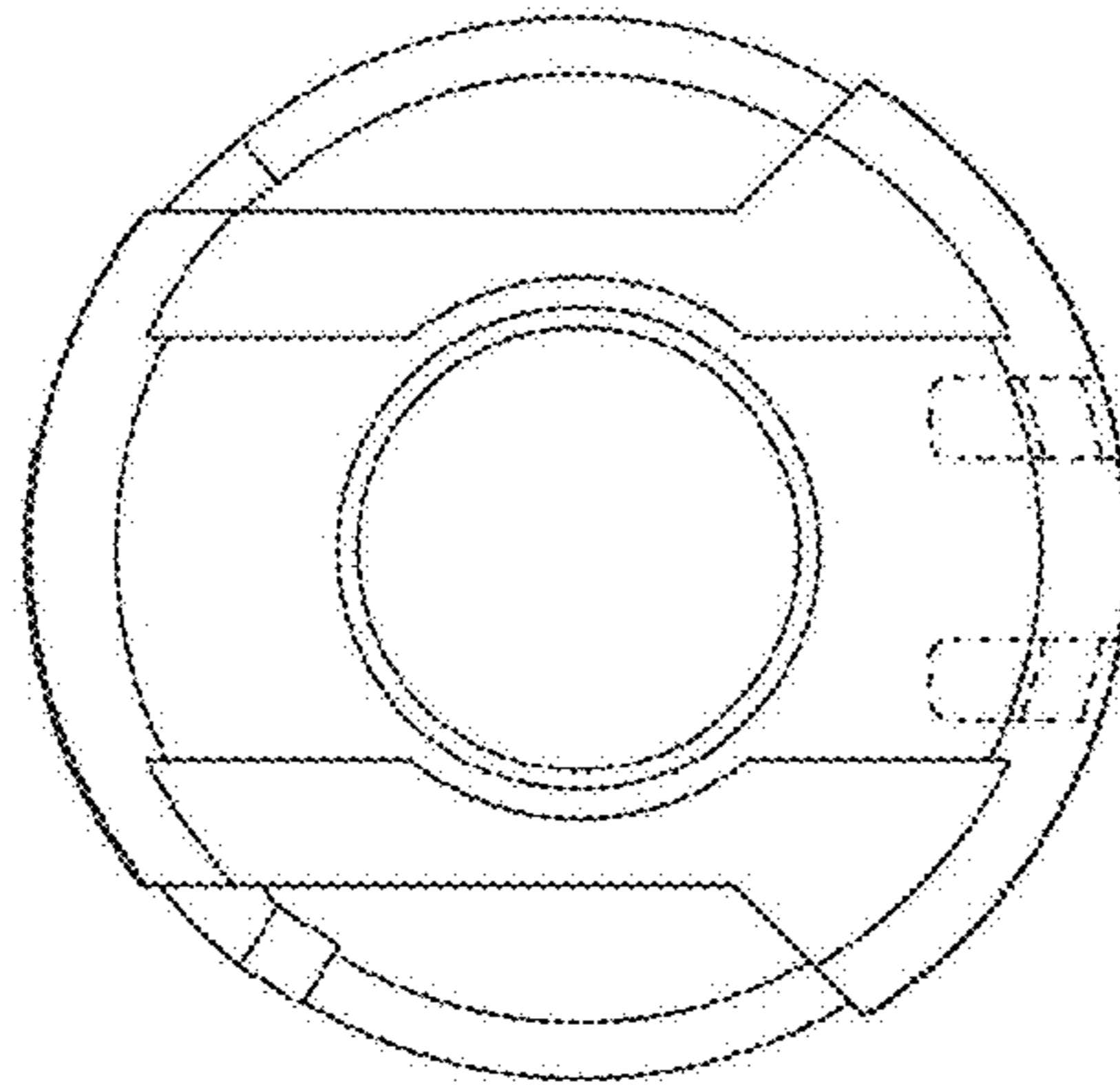


Figure 15

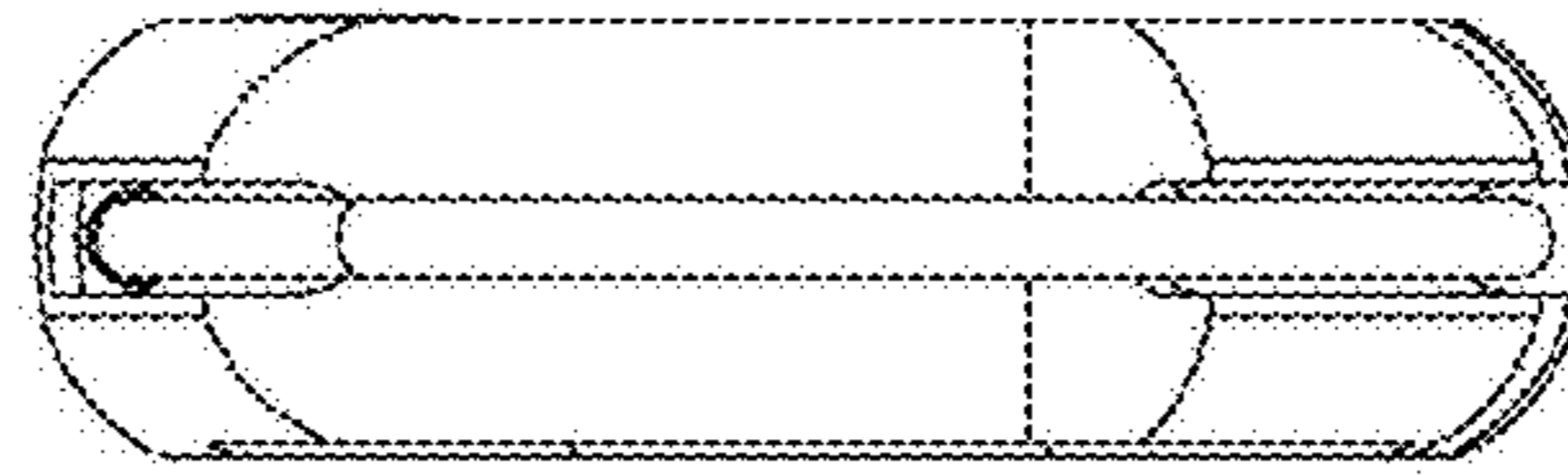


Figure 18

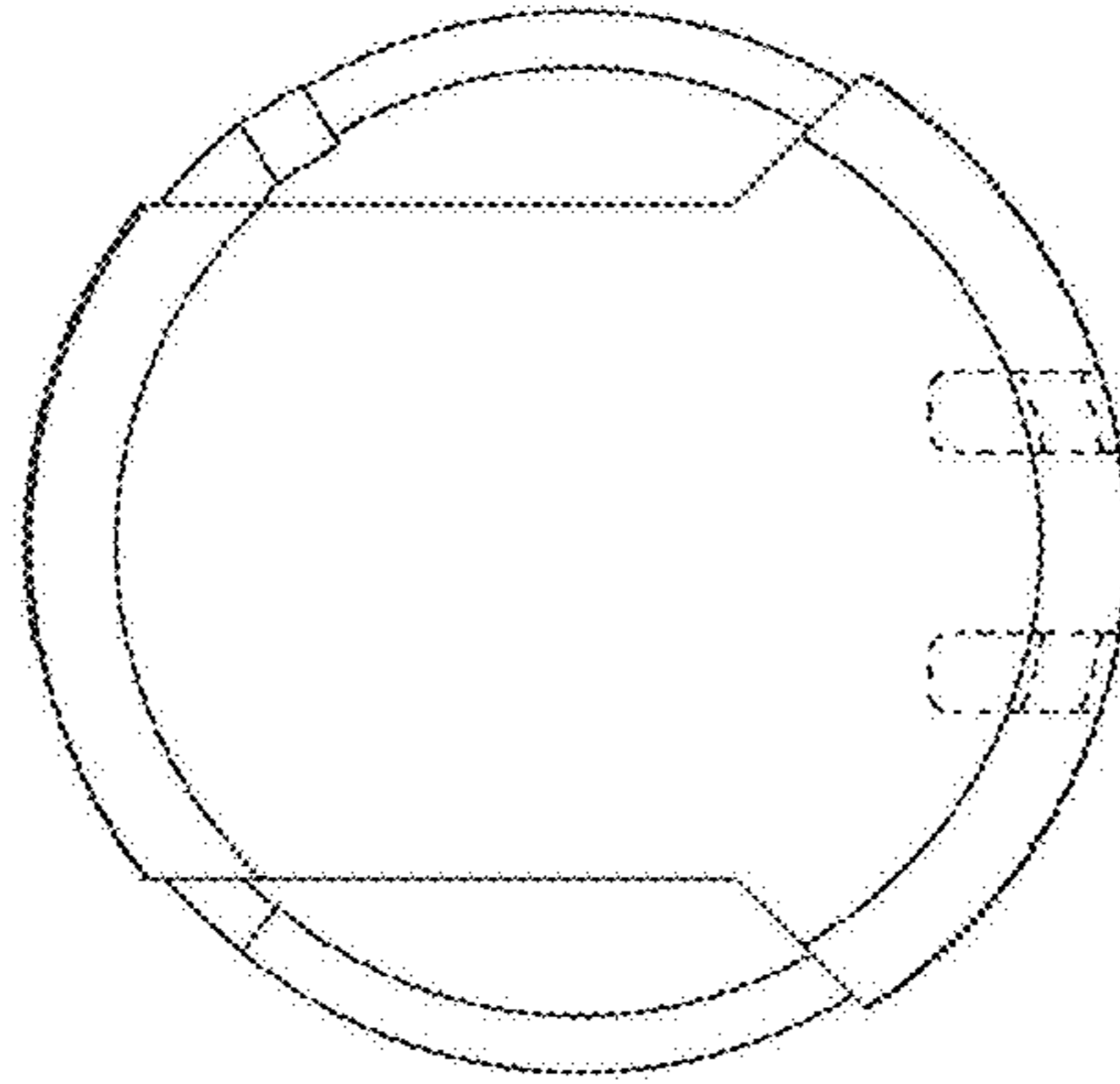


Figure 16

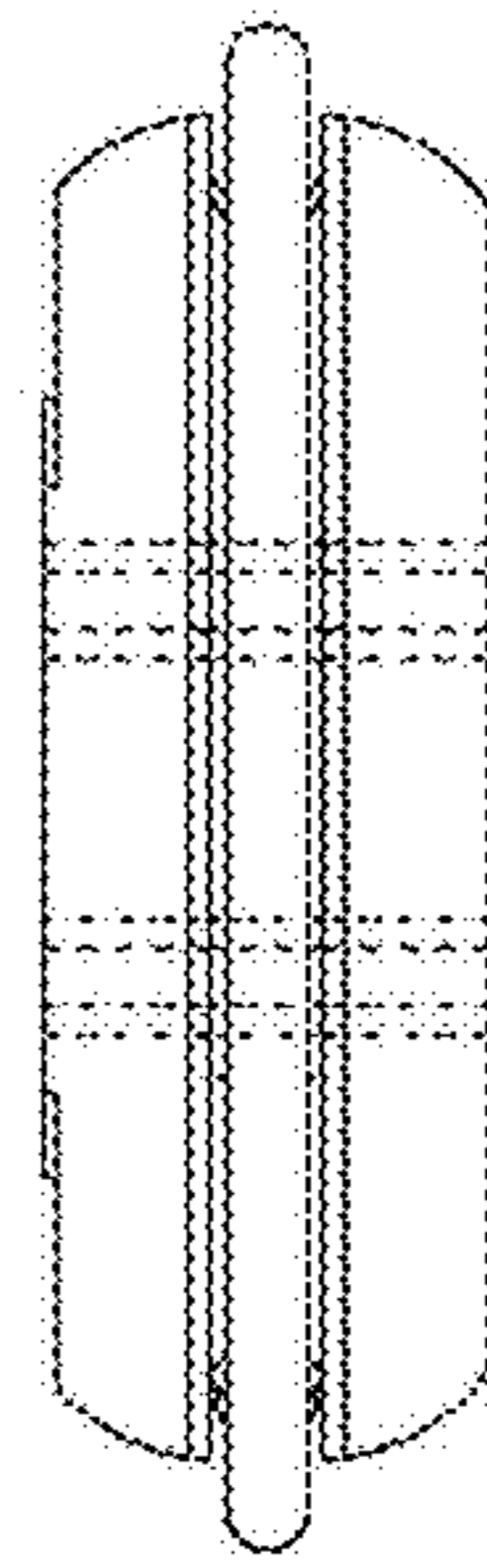


Figure 20

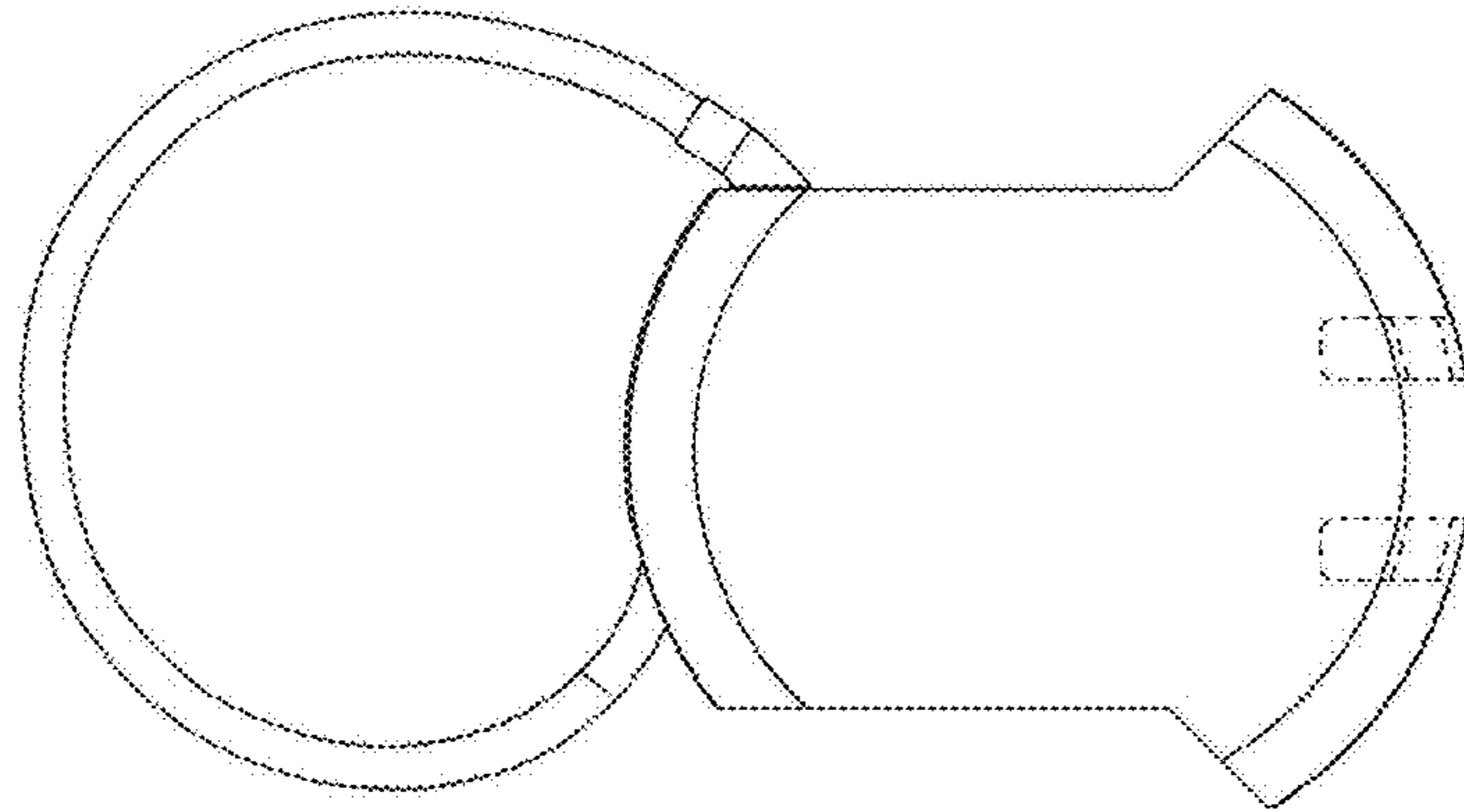


Figure 22

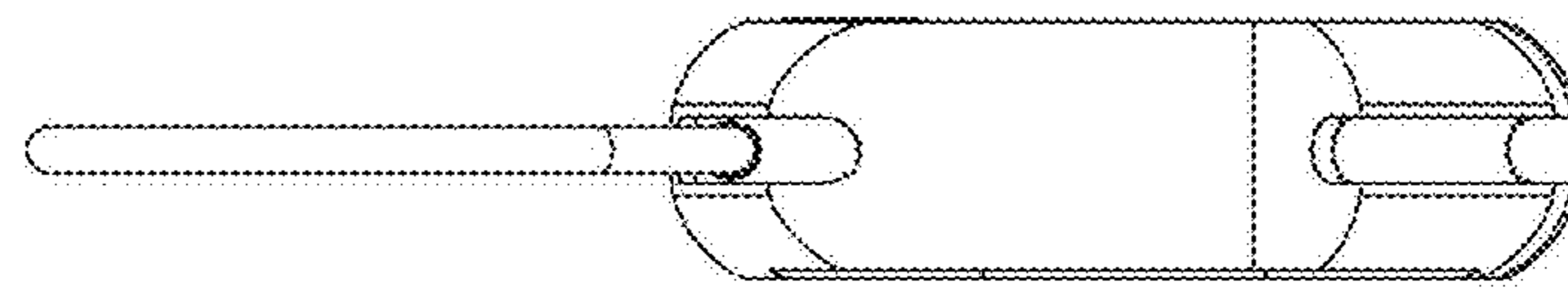


Figure 24

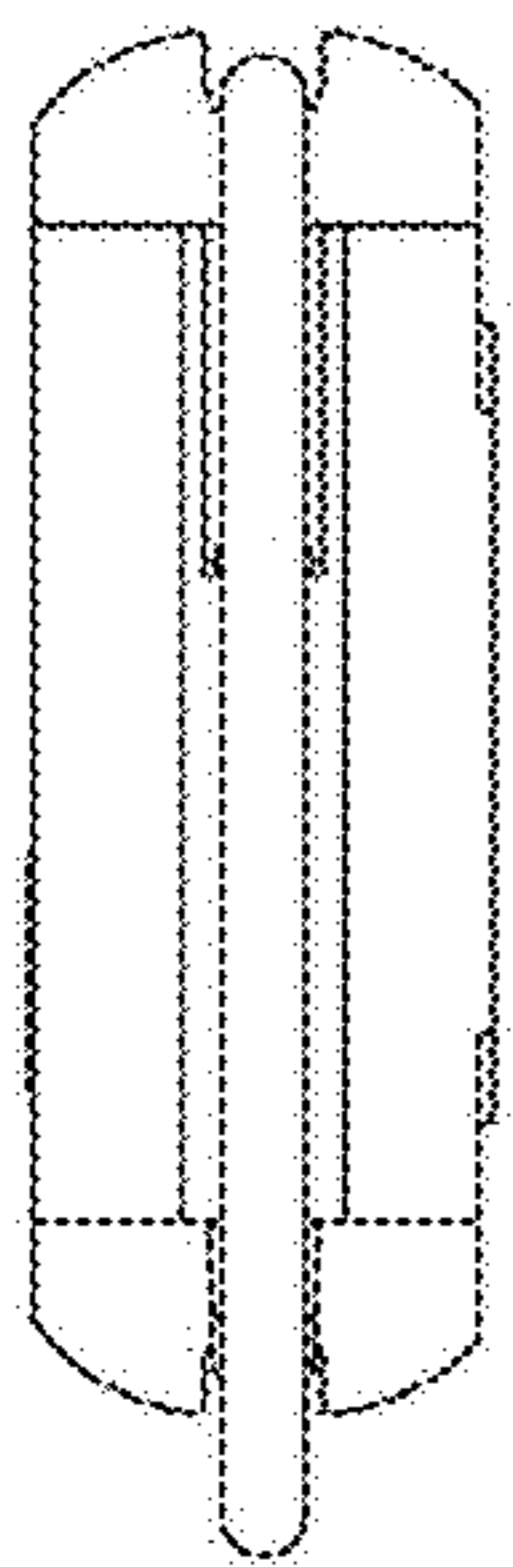


Figure 25

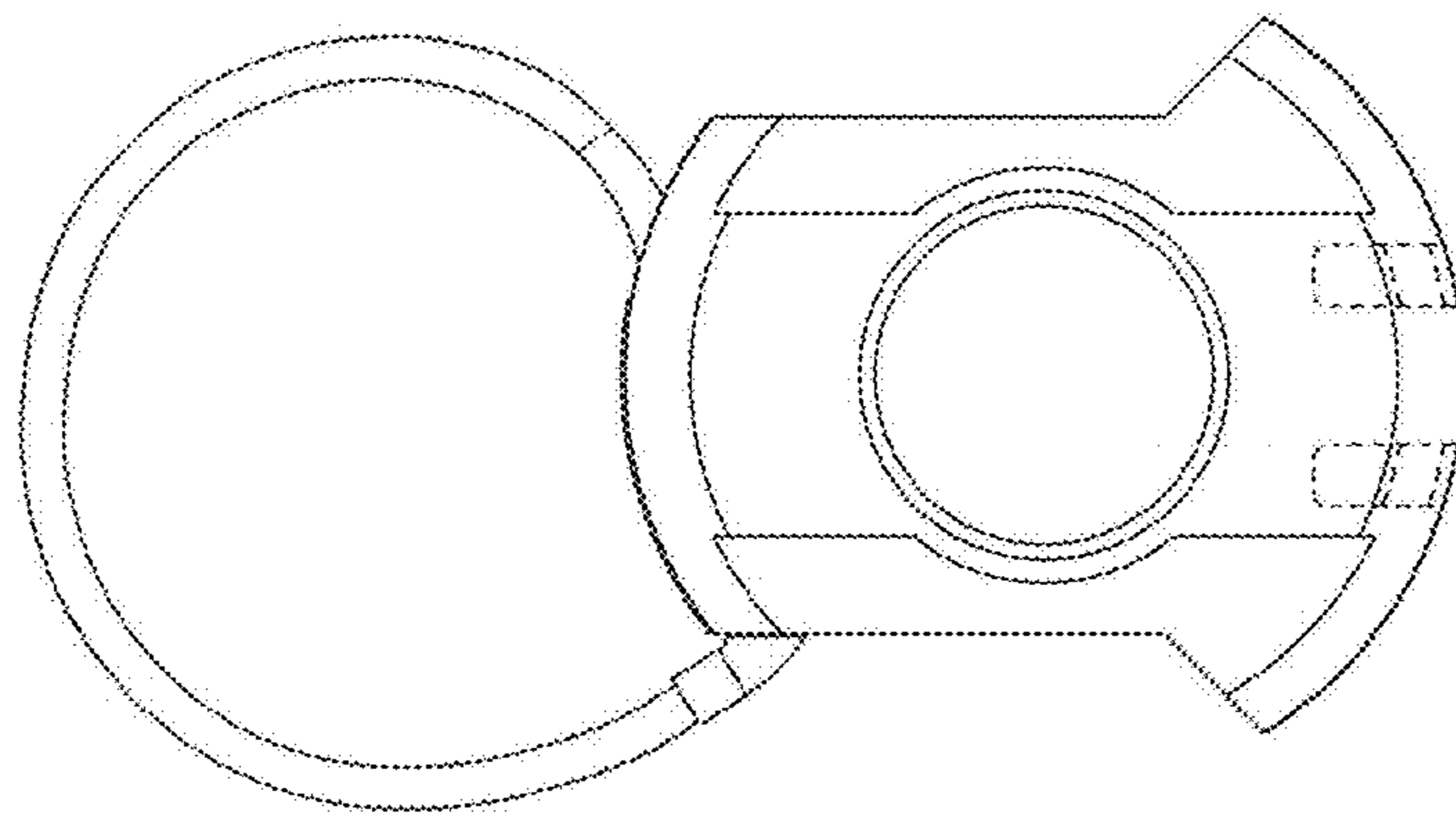


Figure 21

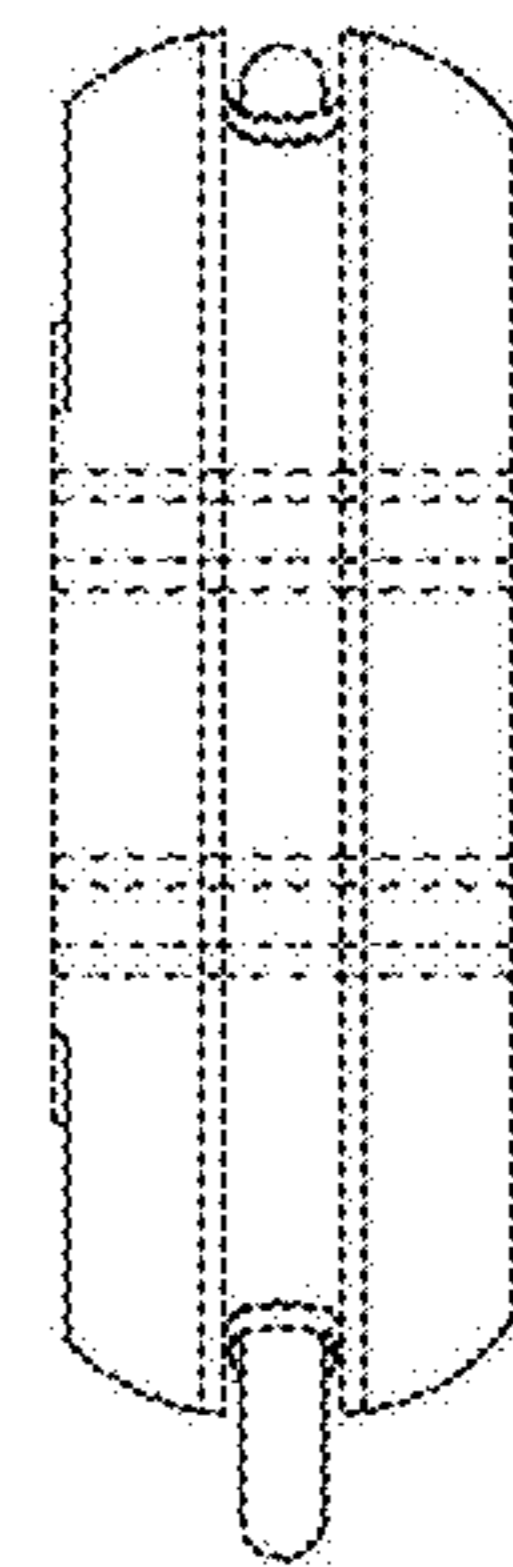


Figure 26

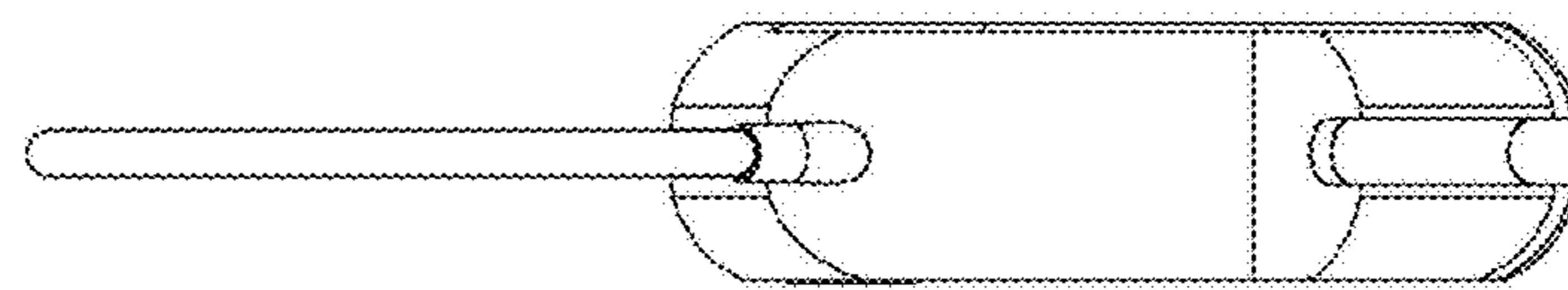


Figure 23



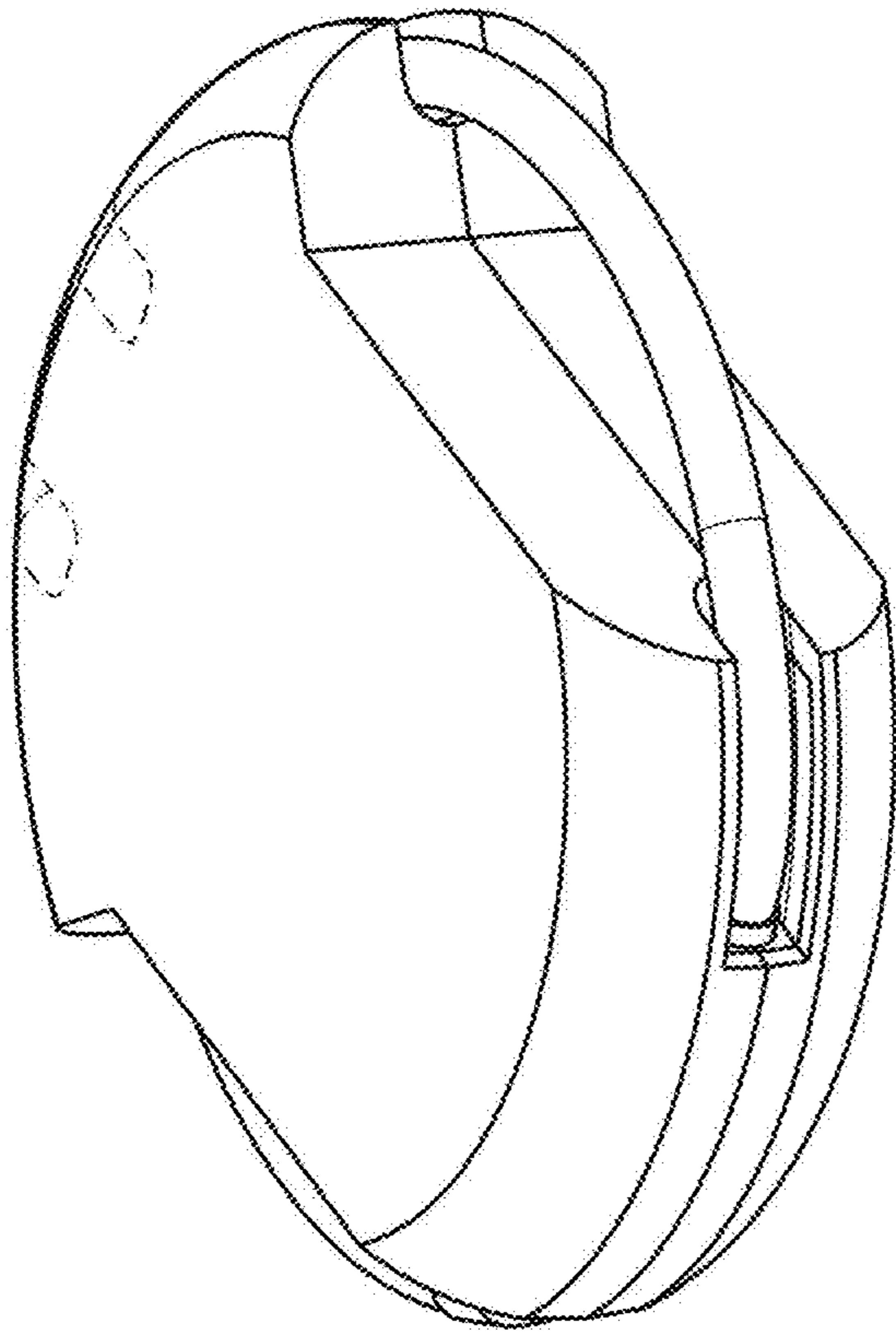


Figure 27

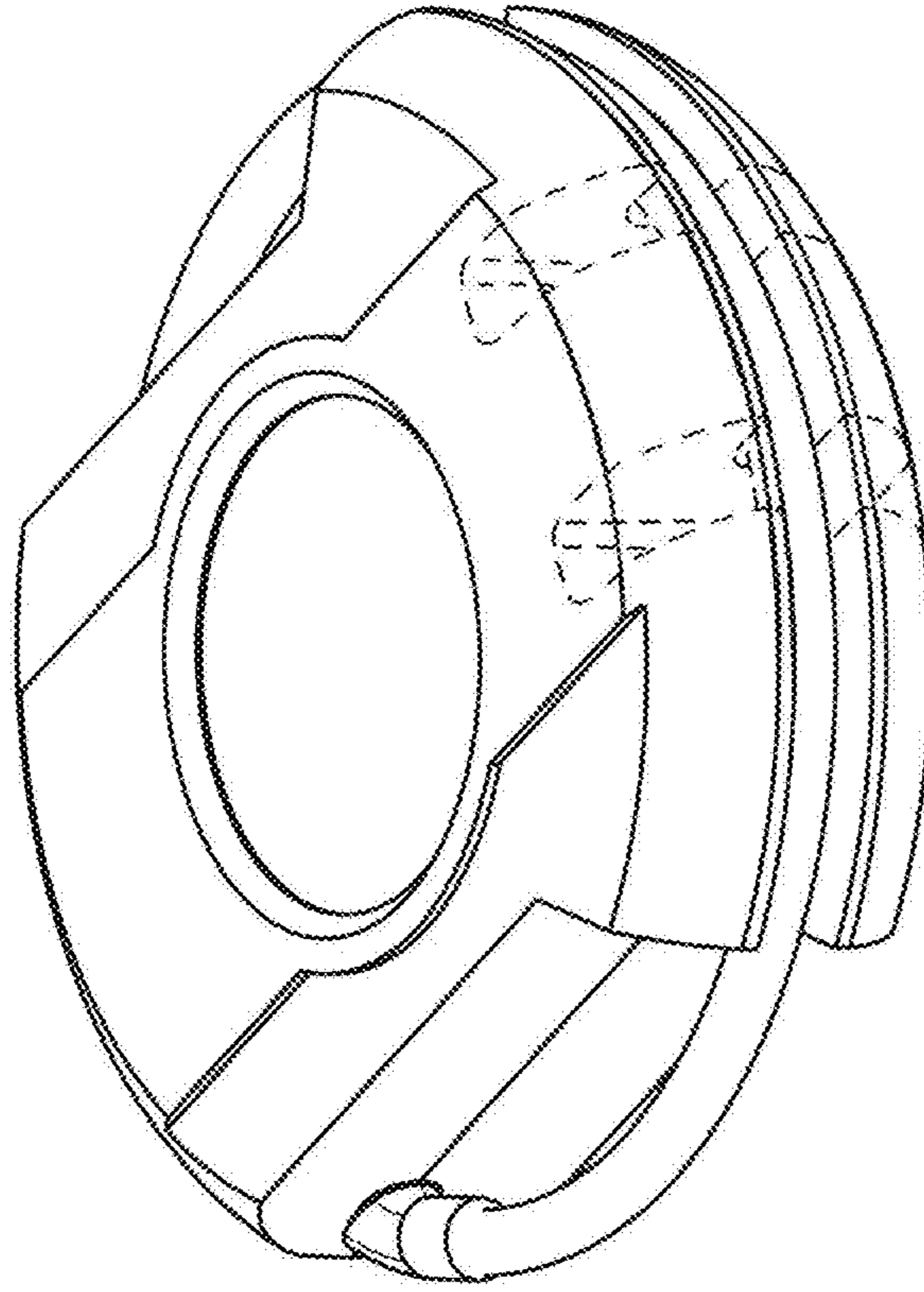


Figure 28