



US00D782278S

(12) **United States Design Patent**
Smith et al.

(10) **Patent No.:** **US D782,278 S**
(45) **Date of Patent:** **** Mar. 28, 2017**

(54) **SECURITY DEVICE**

(74) *Attorney, Agent, or Firm* — Smith IP Services, P.C.

(71) Applicant: **PLUS 8 INDUSTRIES LIMITED**,
London (GB)

(57) **CLAIM**

(72) Inventors: **Benjamin Thomas Smith**, London
(GB); **John William Abrahams**,
London (GB)

The ornamental design for a security device, as shown and described.

(73) Assignee: **PLUS 8 INDUSTRIES LIMITED**,
London (GB)

DESCRIPTION

(**) Term: **14 Years**

FIG. 1 shows a perspective view of an embodiment of the new design for a security device, the security device including a lock portion and a U-shaped portion.

(21) Appl. No.: **29/500,560**

FIG. 2 shows a front elevational view of the security device. FIG. 3 shows a rear elevational view of the security device. FIG. 4 shows a right side elevational view of the security device.

(22) Filed: **Aug. 26, 2014**

(51) **LOC (10) Cl.** **08-07**

FIG. 5 shows a top view of the security device.

(52) **U.S. Cl.**

USPC **D8/333**

FIG. 6 shows a bottom view of the security device.

(58) **Field of Classification Search**

USPC D10/106.9, 106.94; D8/333, 334

CPC E05B 67/06

See application file for complete search history.

FIG. 7 shows a perspective view of another embodiment of the new design for a security device, wherein the U-shaped portion is optional.

(56) **References Cited**

U.S. PATENT DOCUMENTS

D449,971 S * 11/2001 Schell D8/333

D720,204 S * 12/2014 Ferragu D8/333

D722,262 S * 2/2015 Stevens D8/333

9,376,841 B2 * 6/2016 Chan E05B 67/06

FIG. 8 shows a front elevational view of the security device, wherein the U-shaped portion is optional.

FIG. 9 shows a rear elevational view of the security device, wherein the U-shaped portion is optional.

FIG. 10 shows a right side elevational view of the security device, wherein the U-shaped portion is optional; and,

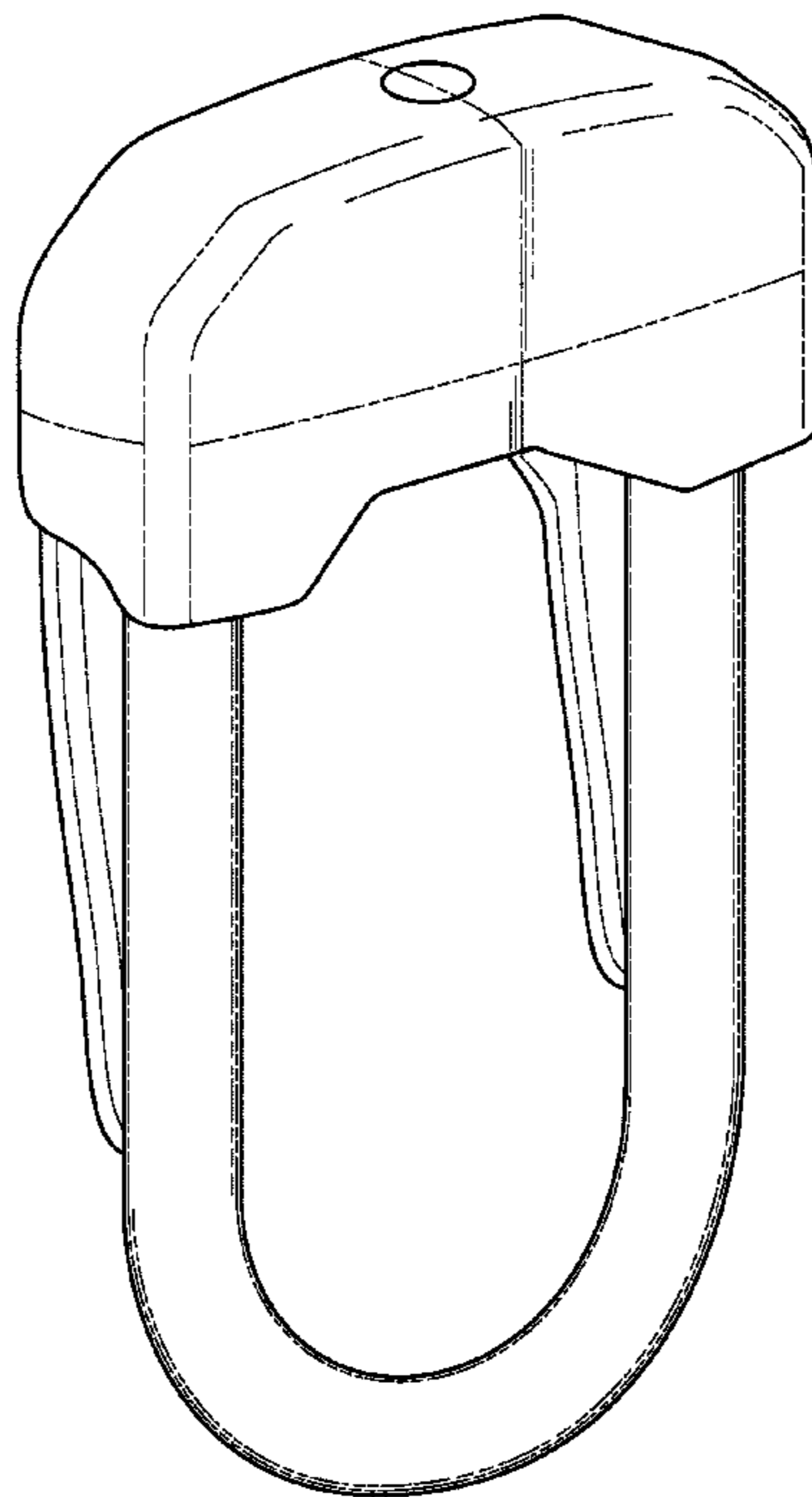
FIG. 11 shows a bottom view of the security device, wherein the U-shaped portion is optional.

A left side elevational view of the security device is a mirror image of the right side elevational view of the security device.

* cited by examiner

Primary Examiner — George D Kirschbaum

1 Claim, 9 Drawing Sheets



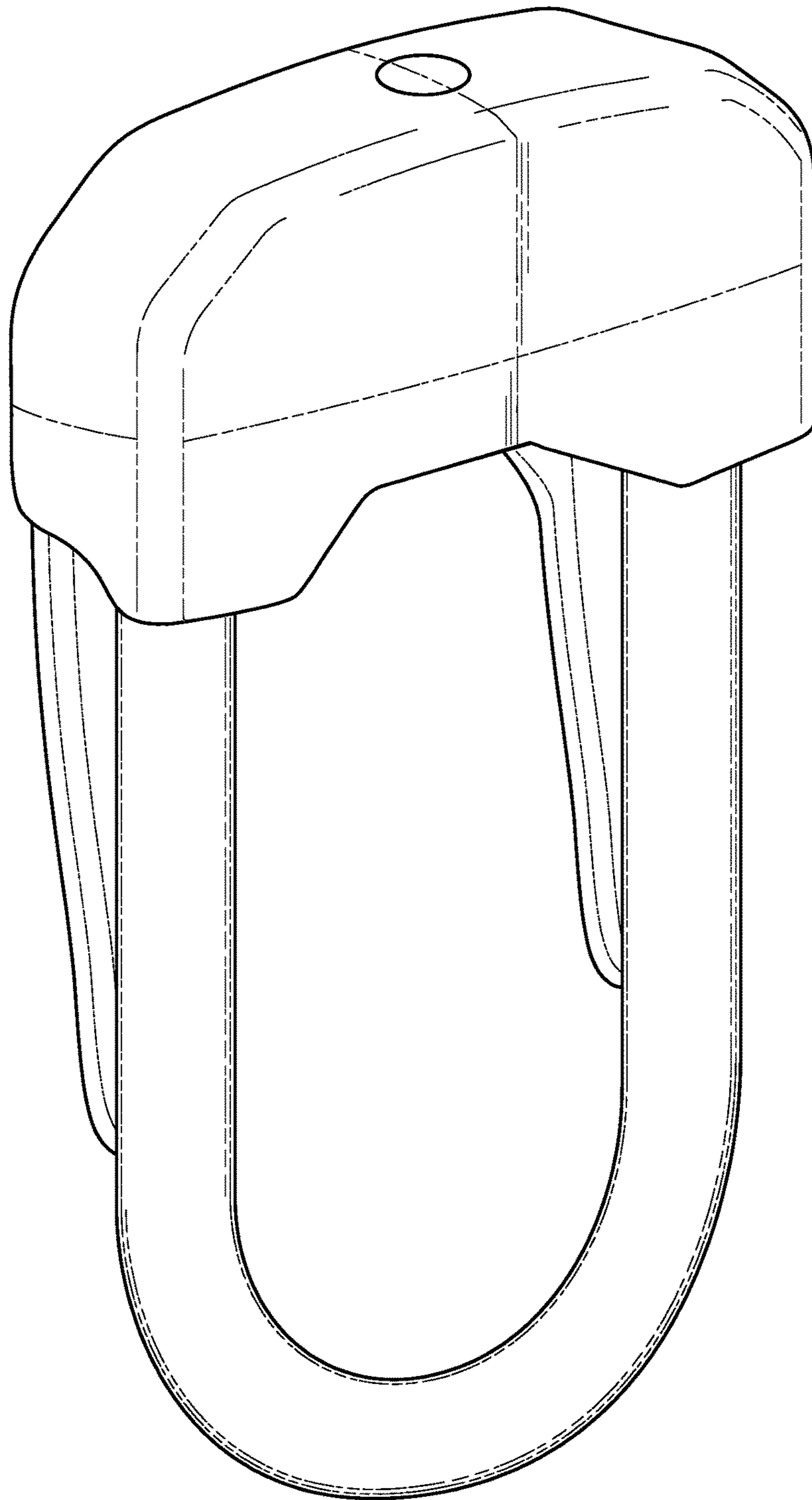


FIG. 1

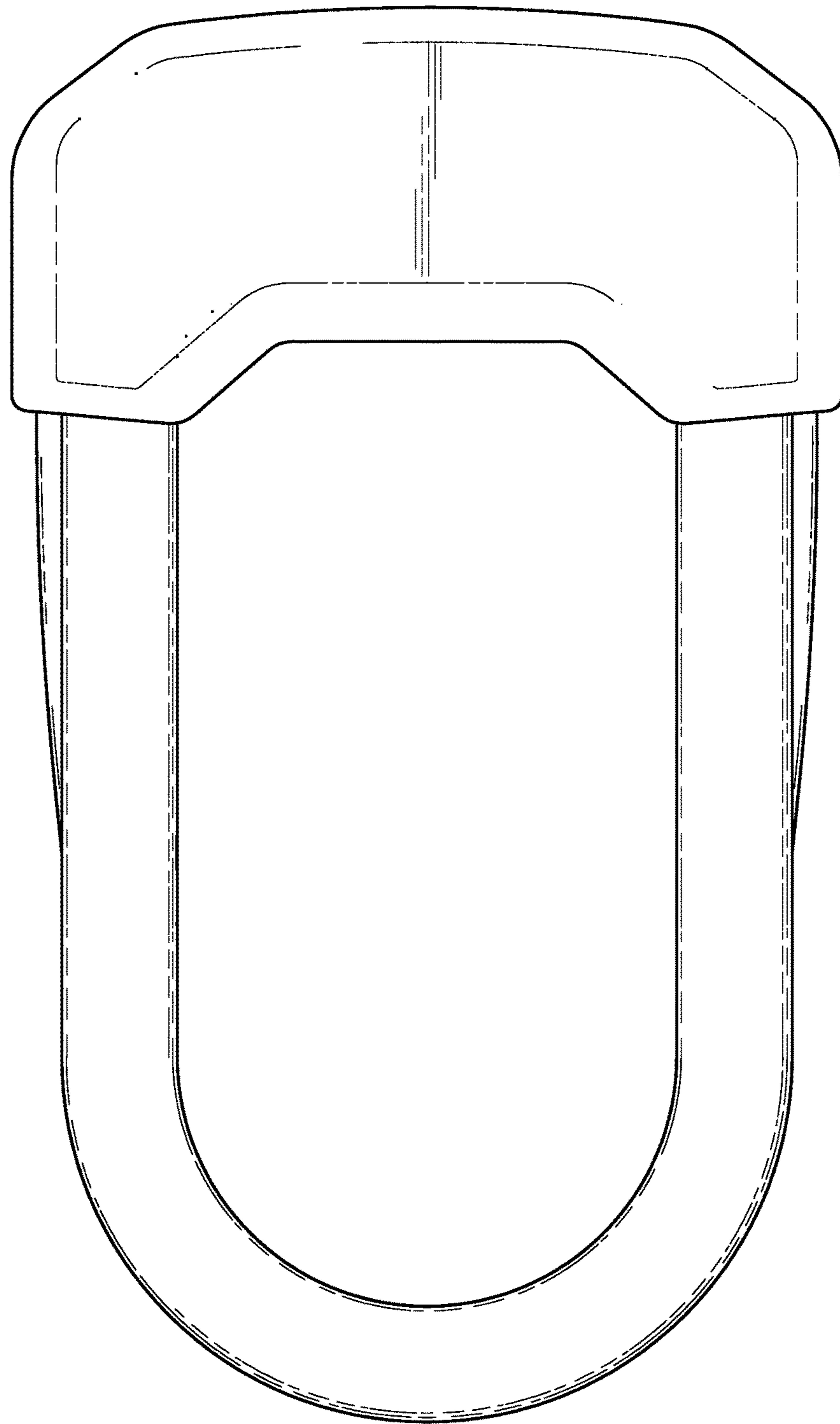


FIG. 2

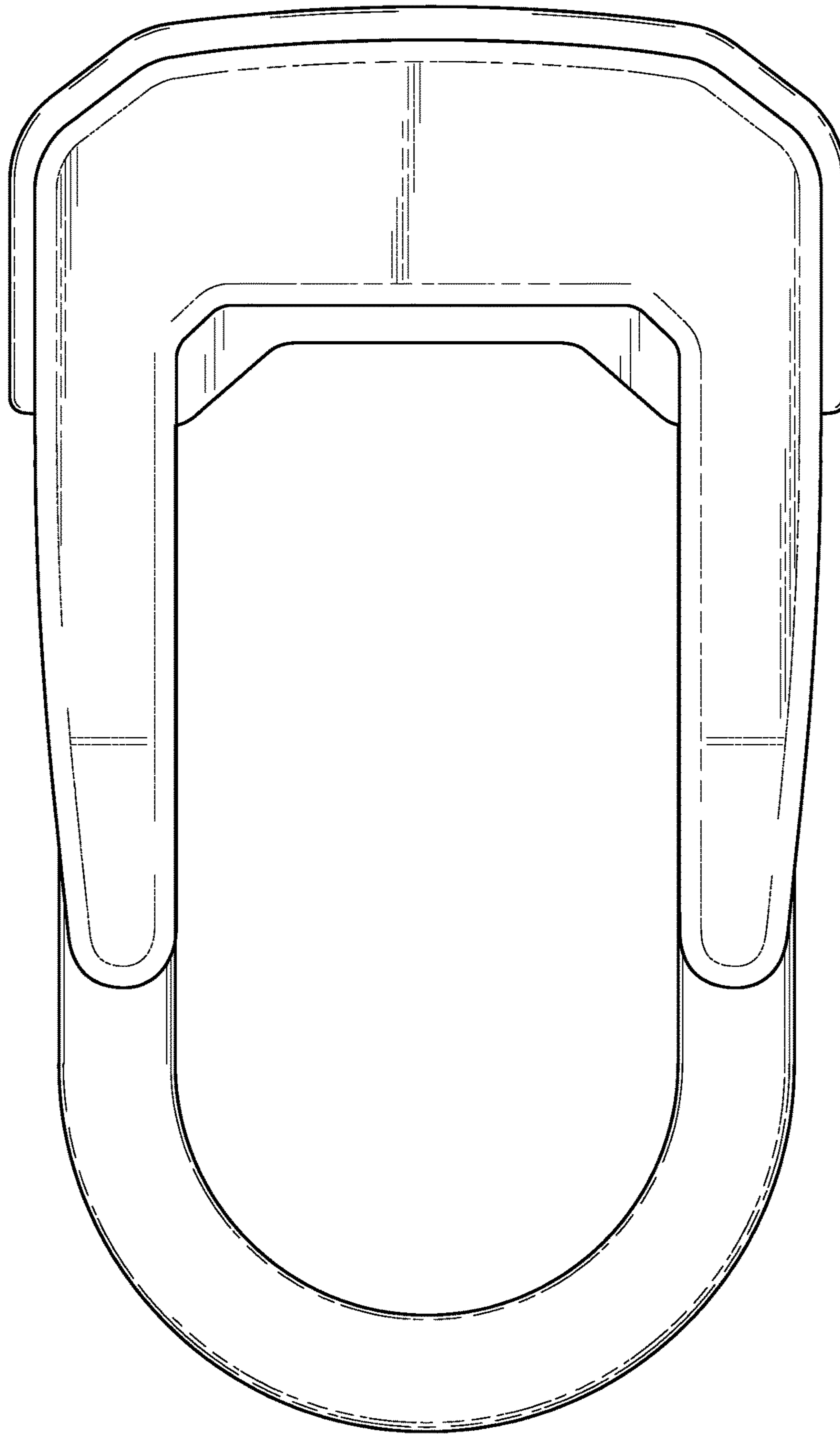


FIG. 3

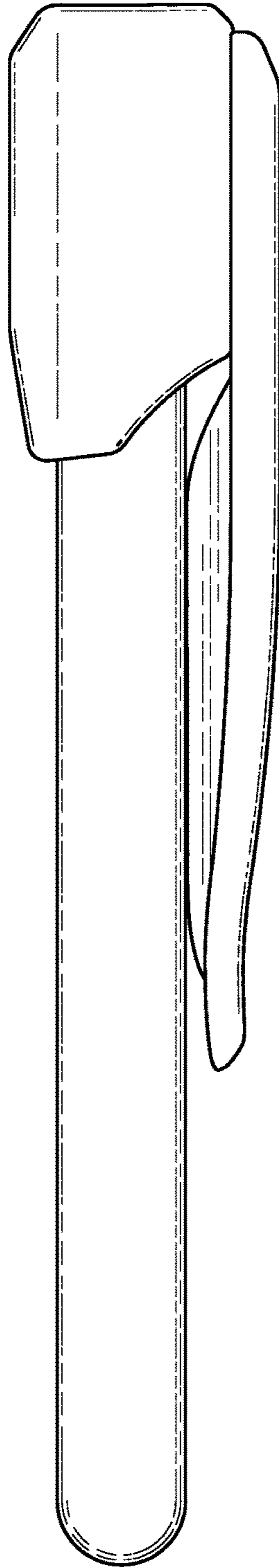


FIG. 4

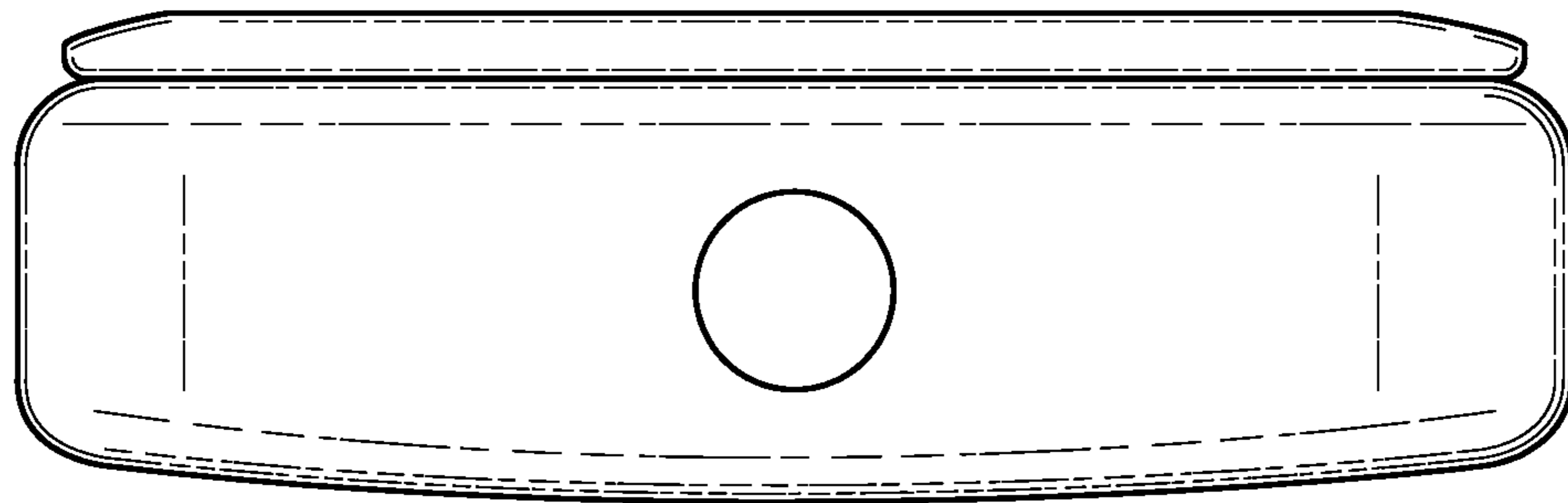


FIG. 5

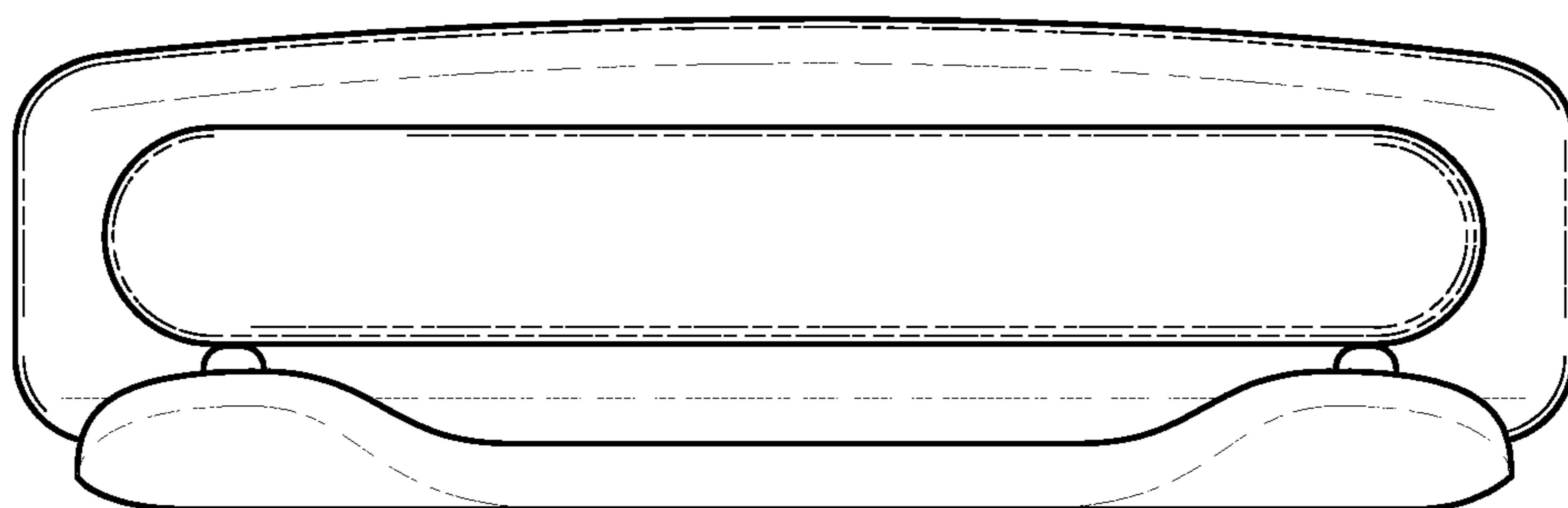


FIG. 6

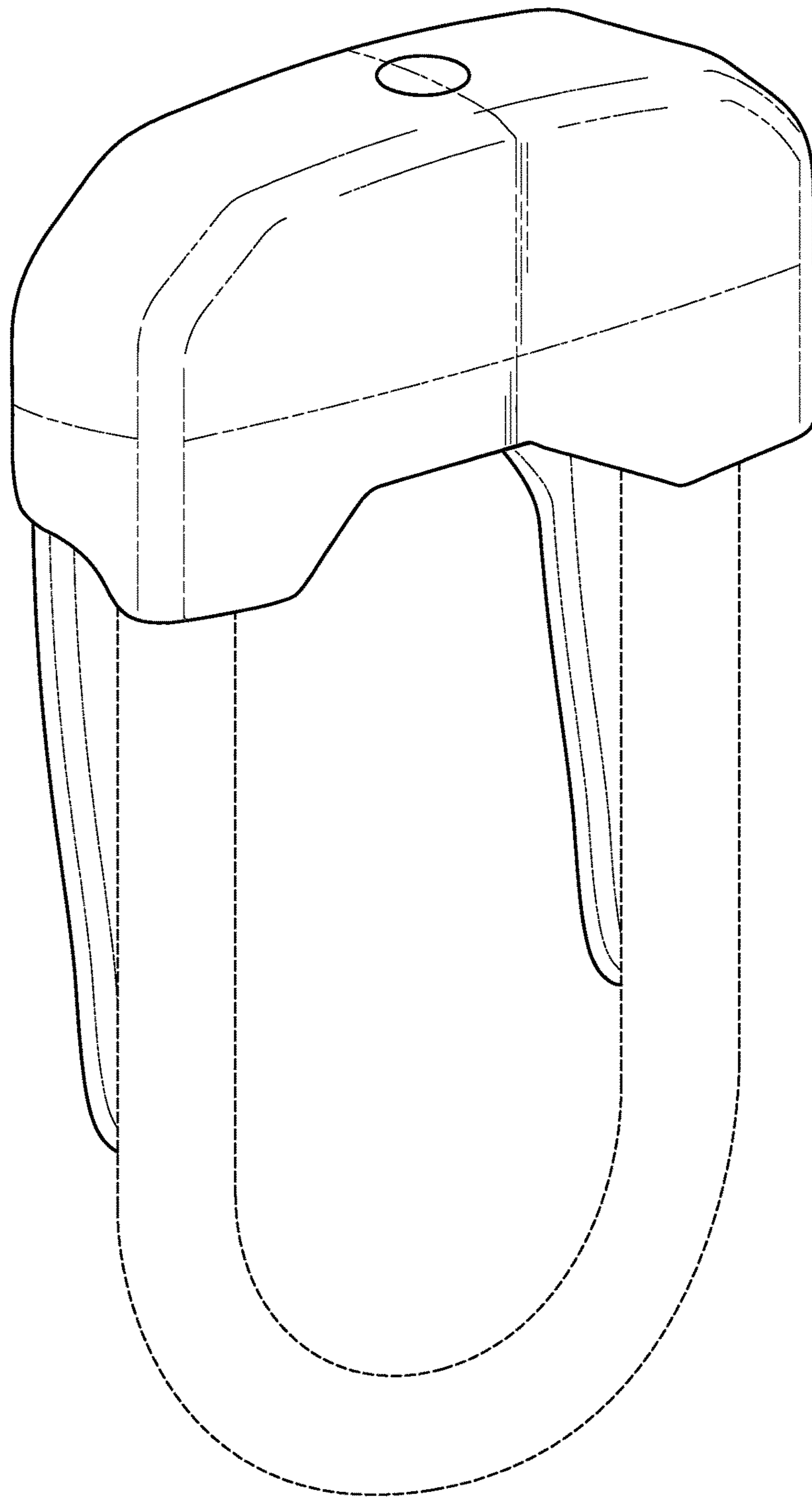


FIG. 7

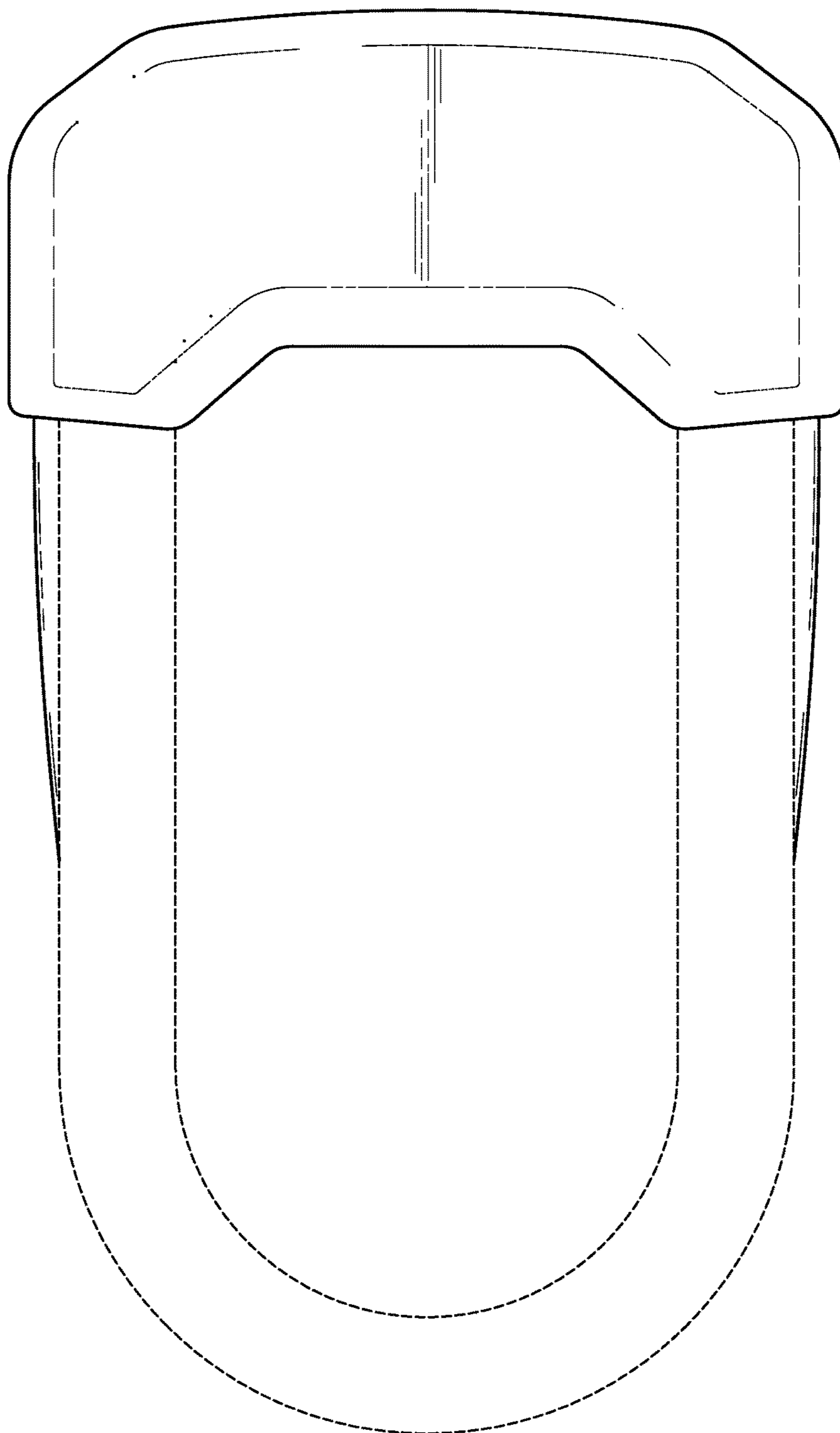


FIG. 8

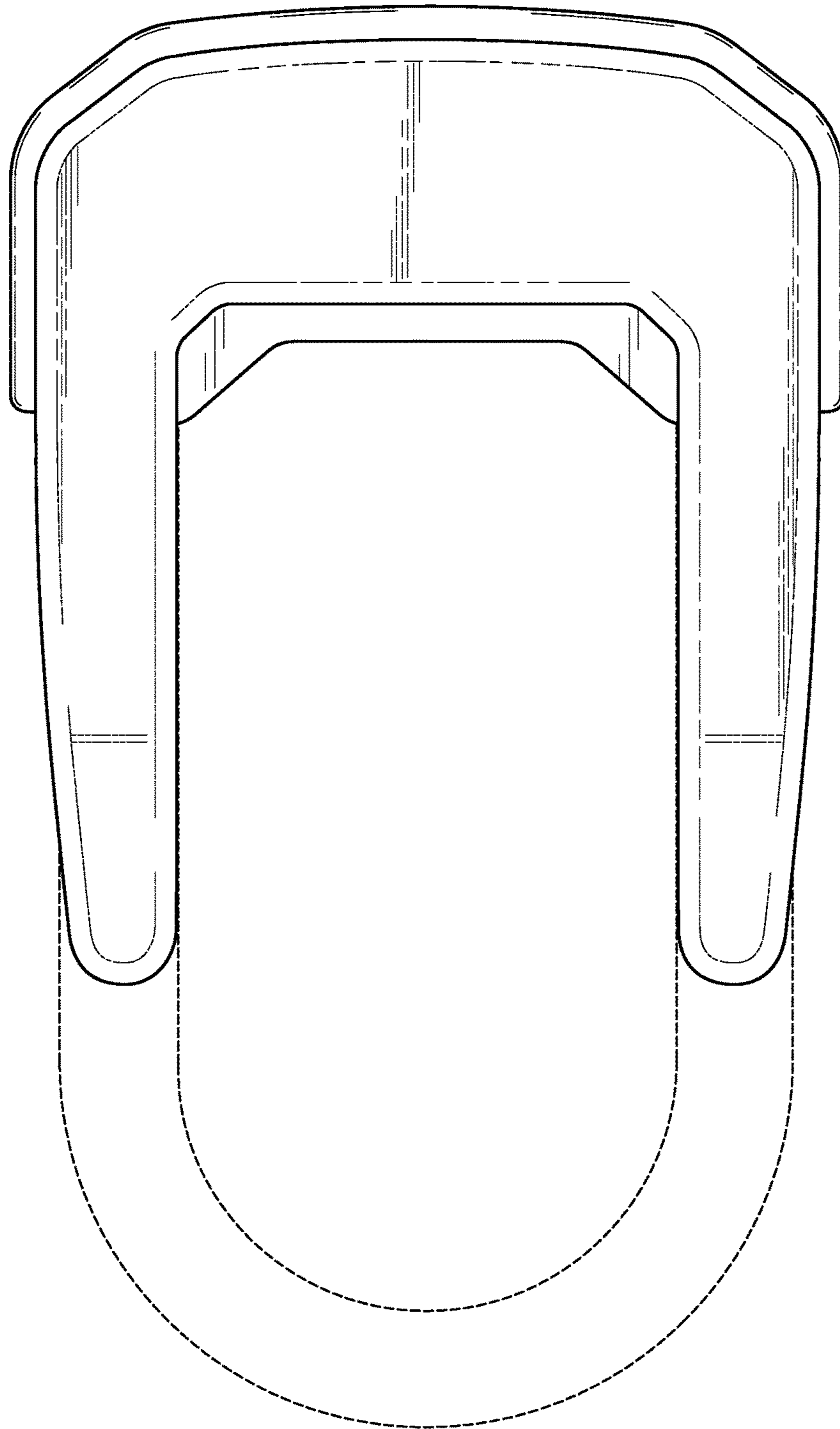


FIG. 9

FIG. 10

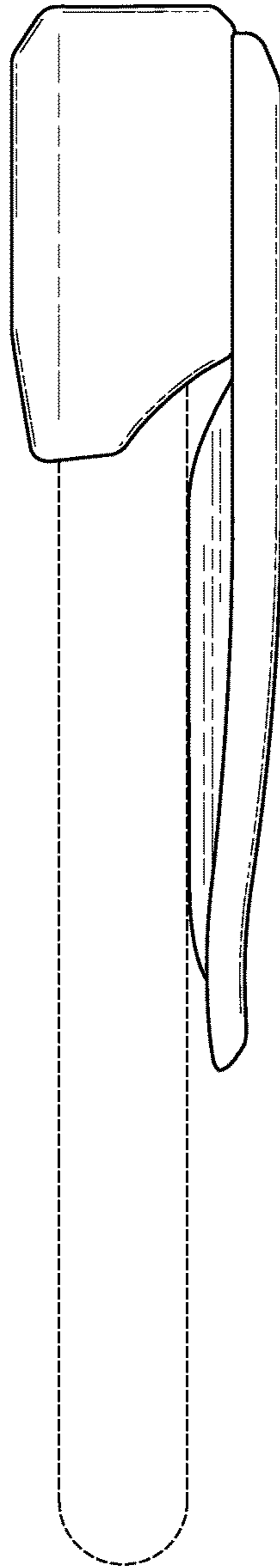


FIG. 11

