



US00D782274S

(12) **United States Design Patent**  
**Herrick et al.**

(10) **Patent No.:** **US D782,274 S**  
(45) **Date of Patent:** **\*\* Mar. 28, 2017**

(54) **REAR GRIPPER LATCH**

(71) Applicant: **RODDIE, INC.**, Columbia Falls, MT (US)

(72) Inventors: **Rod Herrick**, Whitefish, MT (US);  
**Jared W Shappell**, Kalispell, MT (US)

(73) Assignee: **RODDIE, INC.**, Columbia Falls, MT (US)

(\*\*) Term: **15 Years**

(21) Appl. No.: **29/535,365**

(22) Filed: **Aug. 5, 2015**

(51) **LOC (10) Cl.** ..... **08-07**

(52) **U.S. Cl.**  
USPC ..... **D8/330**; D8/343; D8/331

(58) **Field of Classification Search**  
USPC ..... D8/330, 331, 333, 336, 343, 346, 349;  
70/14, 20, 51-56, 57, 57.1, 141, 142,  
70/224, 237, 266, 431, DIG. 9, DIG. 4,  
70/DIG. 26, DIG. 80; 292/2, 32, 281,  
292/288, 289, 358, 359, DIG. 5  
(Continued)

(56) **References Cited**

U.S. PATENT DOCUMENTS

5,170,913 A \* 12/1992 Spatz ..... B65D 83/0033  
222/209  
5,264,913 A \* 11/1993 Hegg ..... G02B 23/00  
356/251

(Continued)

*Primary Examiner* — Prabhakar Deshmukh  
(74) *Attorney, Agent, or Firm* — Robin Kelson Consulting

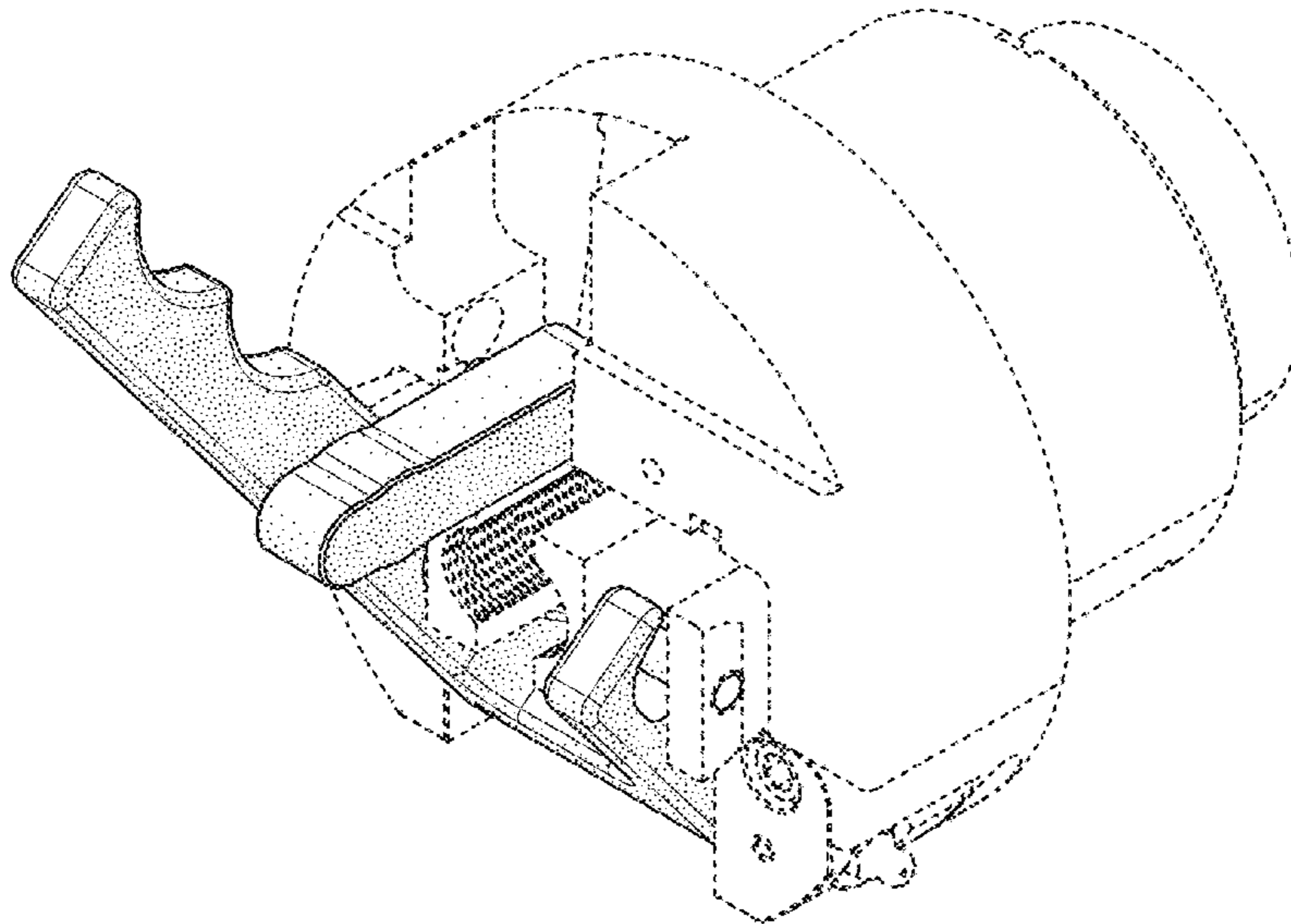
(57) **CLAIM**

We claim the ornamental design for the rear gripper latch, as shown and described.

**DESCRIPTION**

FIG. 1 is a front perspective view of a rear gripper latch in its open, latched position in accordance with the present design;  
FIG. 2 is a front perspective view of a rear gripper latch in its closed, unlatched position in accordance with the present design;  
FIG. 3 is a front view of the rear gripper latch depicted in FIG. 1;  
FIG. 4 is a rear view of the rear gripper latch depicted in FIG. 1;  
FIG. 5 is a left side view of the rear gripper latch depicted in FIG. 1;  
FIG. 6 is a right side view of the rear gripper latch depicted in FIG. 1;  
FIG. 7 is a top view of the rear gripper latch depicted in FIG. 1;  
FIG. 8 is a bottom view of the rear gripper latch depicted in FIG. 1;  
FIG. 9 is a front view of the rear gripper latch depicted in FIG. 2;  
FIG. 10 is a rear view of the rear gripper latch depicted in FIG. 2;  
FIG. 11 is a right side view of the rear gripper latch depicted in FIG. 2;  
FIG. 12 is a left side view of the rear gripper latch depicted in FIG. 2;  
FIG. 13 is a top view of the rear gripper latch depicted in FIG. 2;  
FIG. 14 is a bottom view of the rear gripper latch depicted in FIG. 2; and,  
FIG. 15 is a left side perspective view of the rear gripper latch depicted in FIG. 1.  
The broken lines are directed to the environment surrounding the rear gripper latch and form no part of the claimed design.

**1 Claim, 8 Drawing Sheets**



(58) **Field of Classification Search**

CPC ..... B65B 1/04; E05C 5/00; E05C 9/00; E05C  
17/00; E05C 19/00

See application file for complete search history.

(56) **References Cited**

U.S. PATENT DOCUMENTS

D364,082 S \* 11/1995 Weinerman ..... D8/331  
5,478,037 A \* 12/1995 Haltof ..... B25H 3/006  
248/221.11  
6,142,233 A \* 11/2000 Wilkins ..... E21B 33/038  
166/339  
6,816,335 B2 \* 11/2004 Hoelsaeter ..... G11B 15/6885  
360/92.1  
7,140,649 B1 \* 11/2006 Gregory ..... E05C 3/24  
292/198  
7,178,562 B2 \* 2/2007 Ritz ..... B29C 43/08  
141/145  
7,403,373 B2 \* 7/2008 McCoy ..... H02B 1/042  
200/294  
D665,244 S \* 8/2012 Weinerman ..... D8/330  
8,711,998 B2 \* 4/2014 Uda ..... G21C 7/08  
376/207  
D732,370 S \* 6/2015 Pittman ..... D8/330

\* cited by examiner

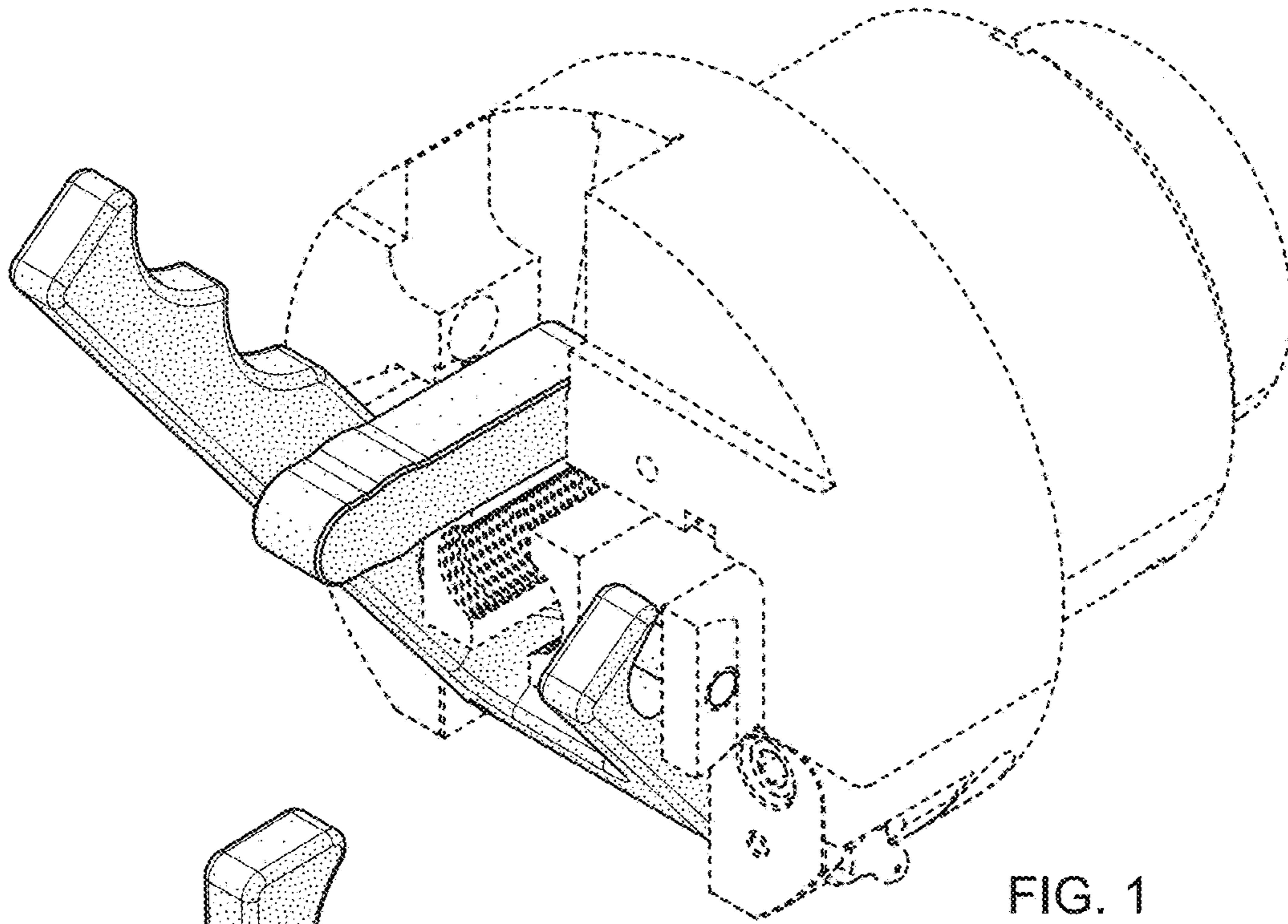


FIG. 1

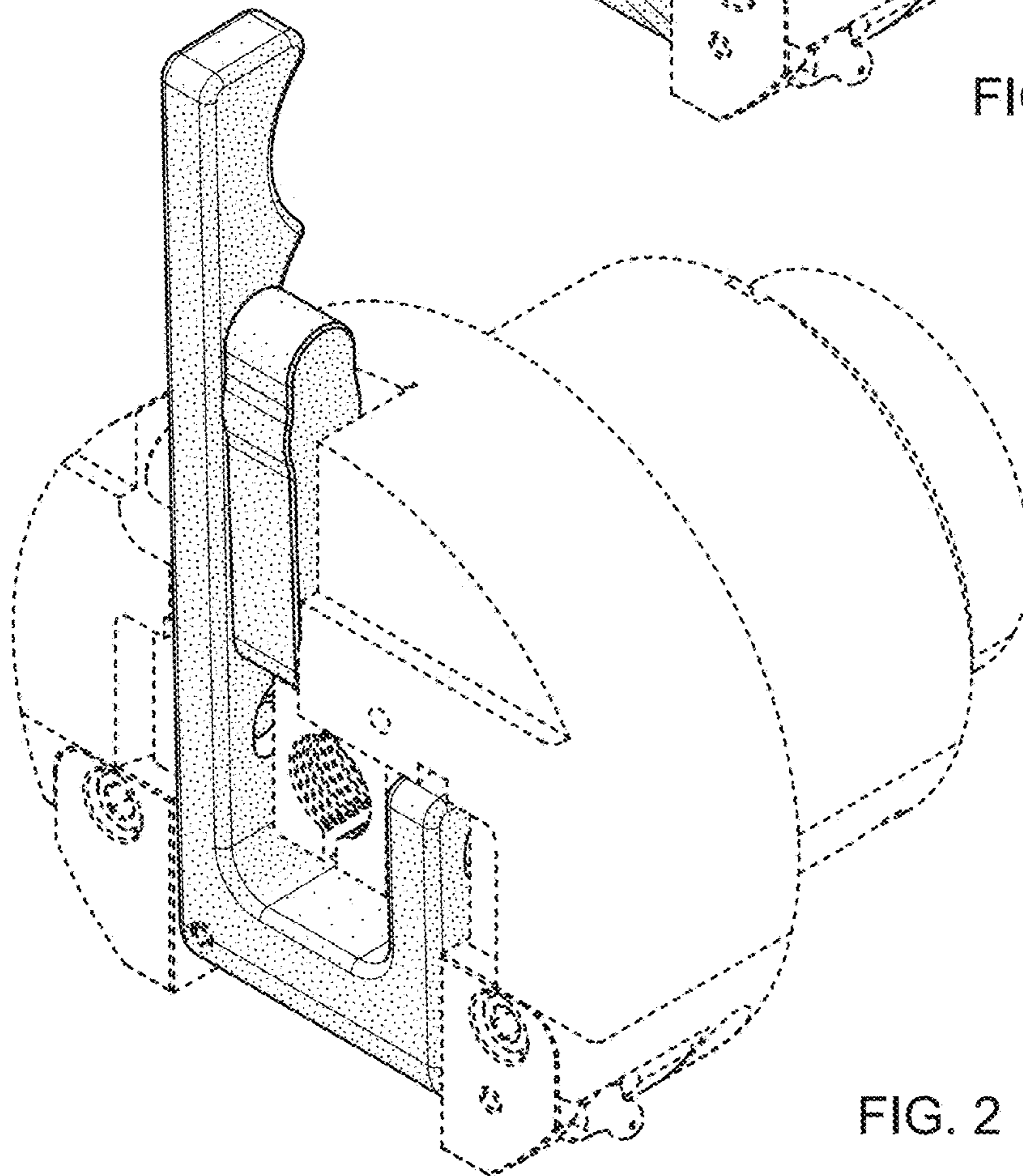


FIG. 2



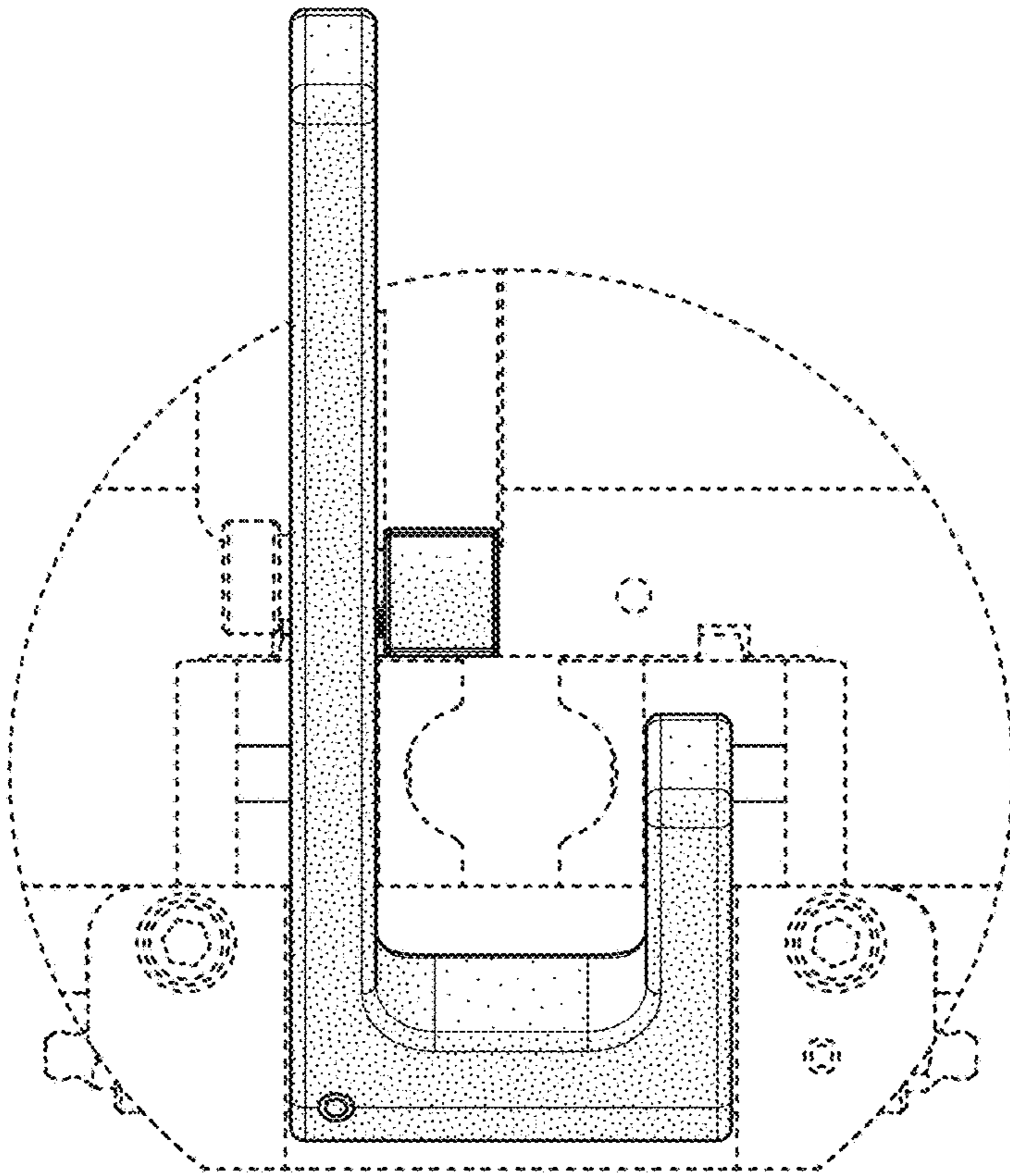


FIG. 3

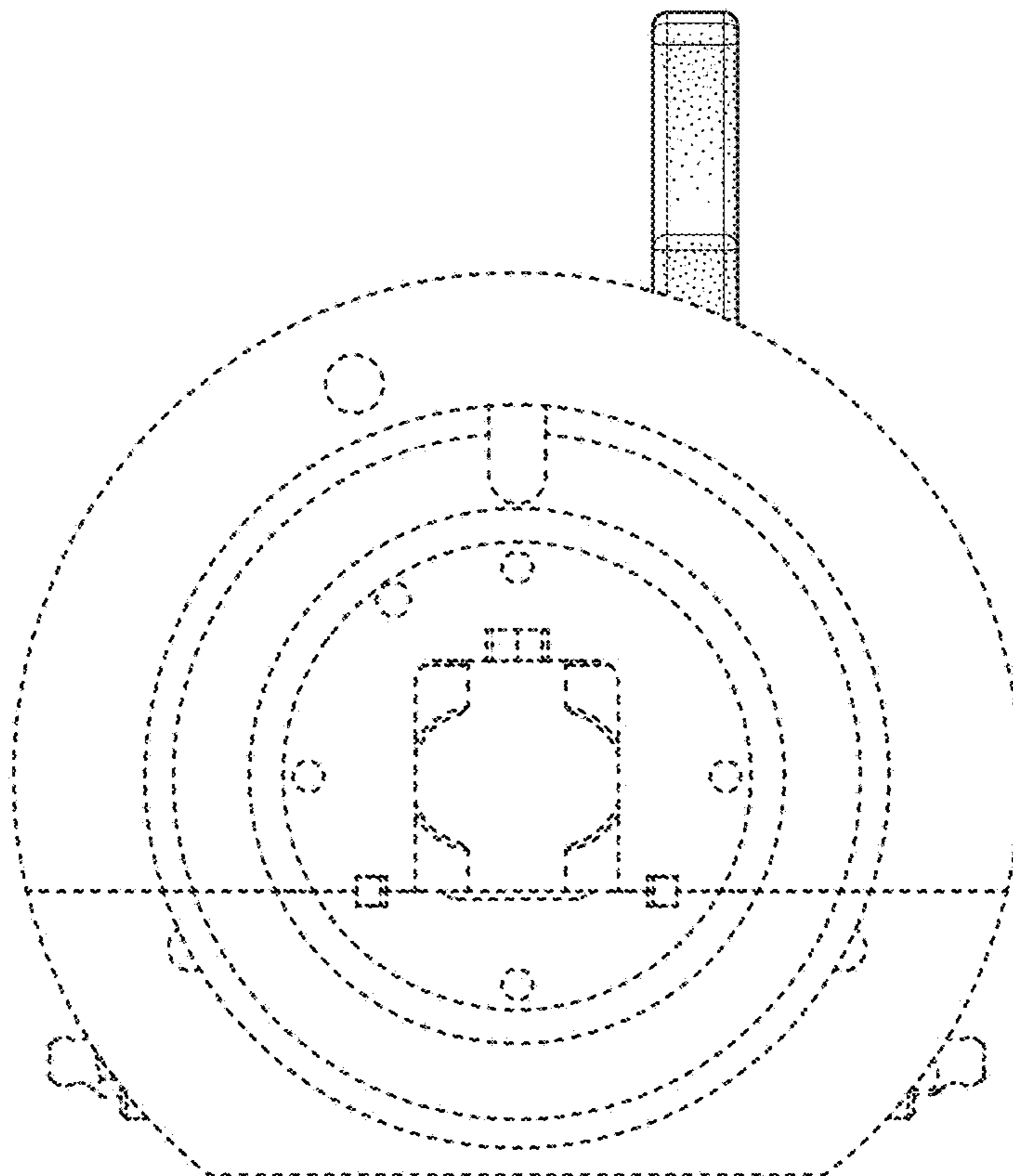


FIG. 4

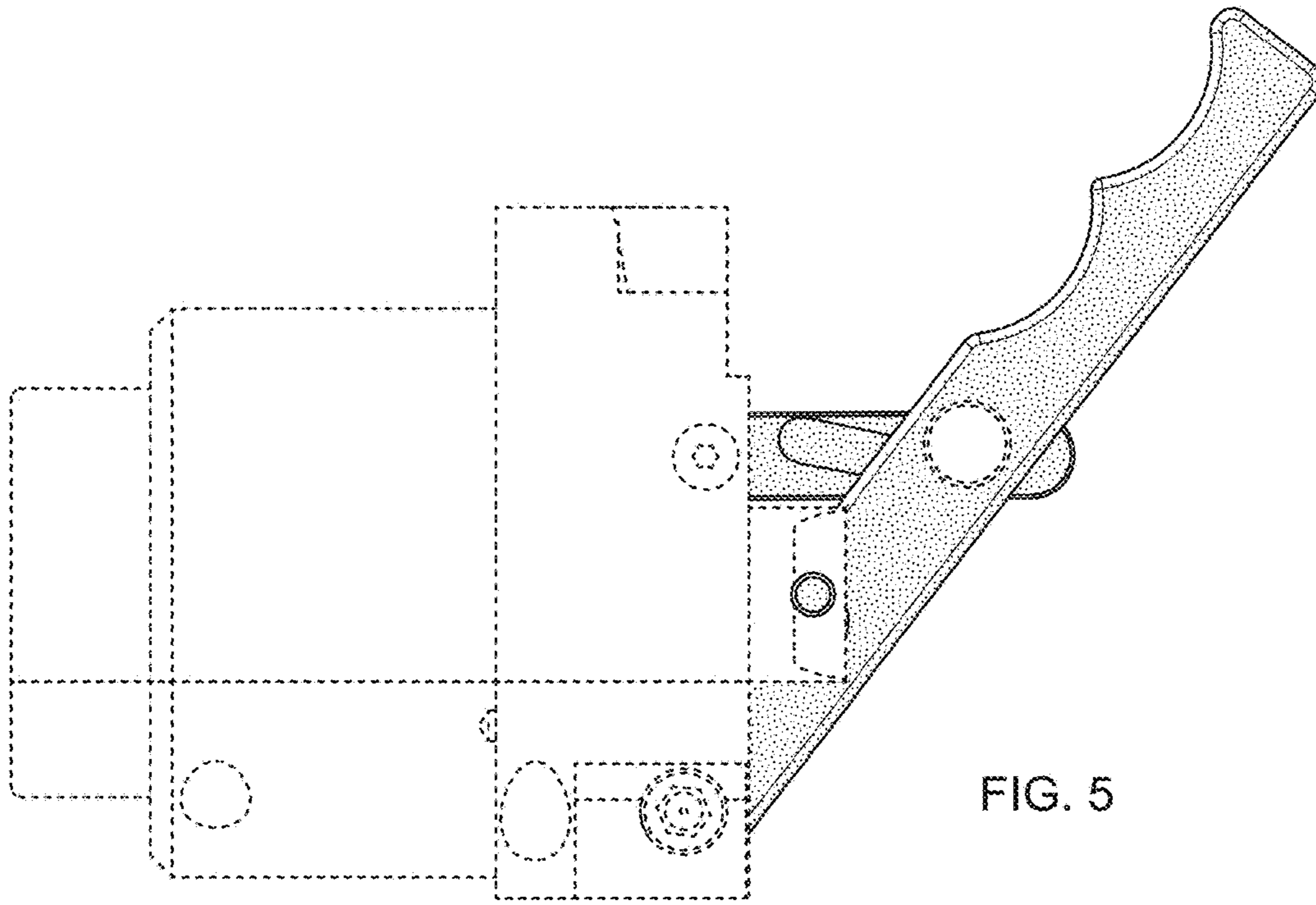


FIG. 5

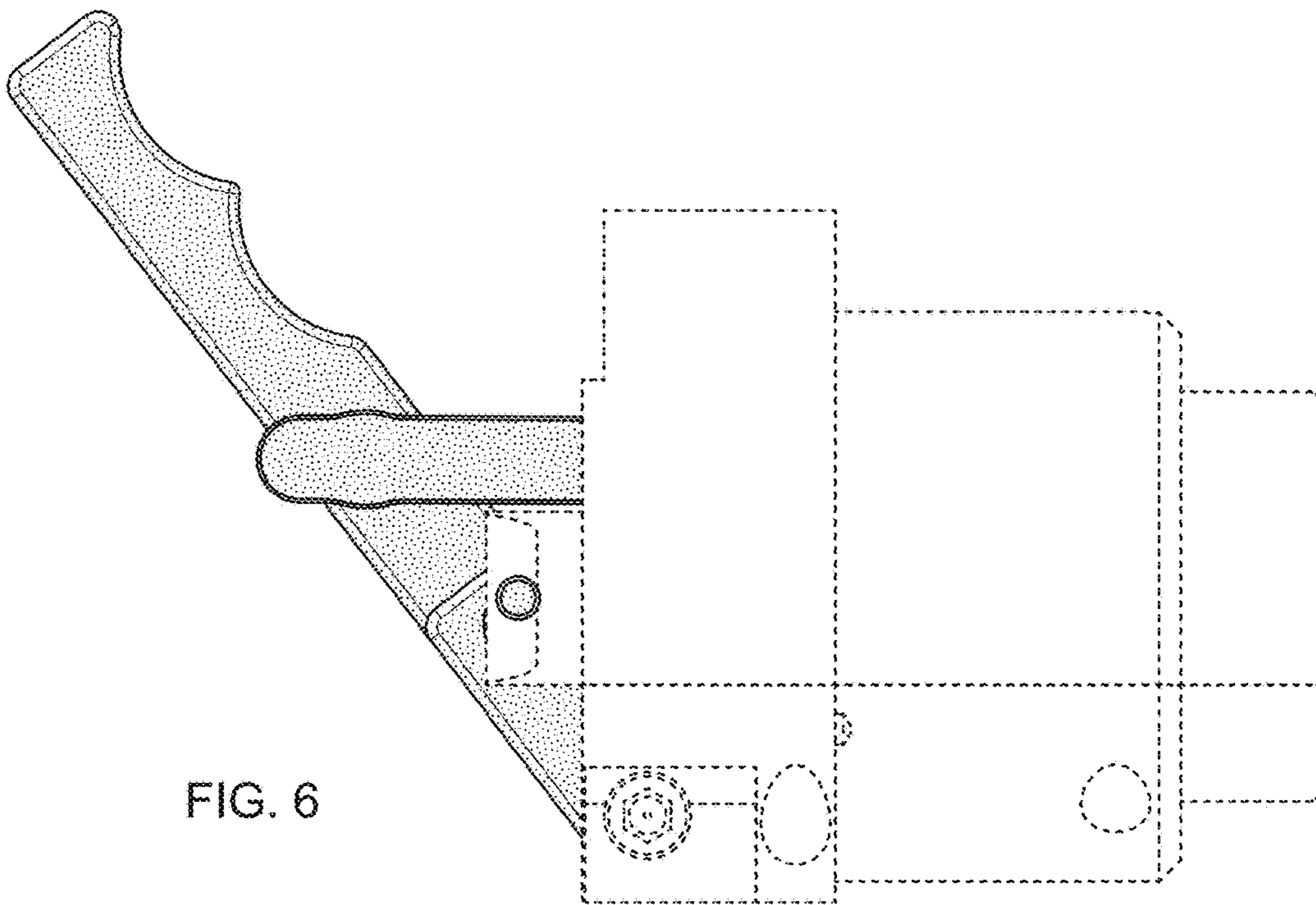


FIG. 6

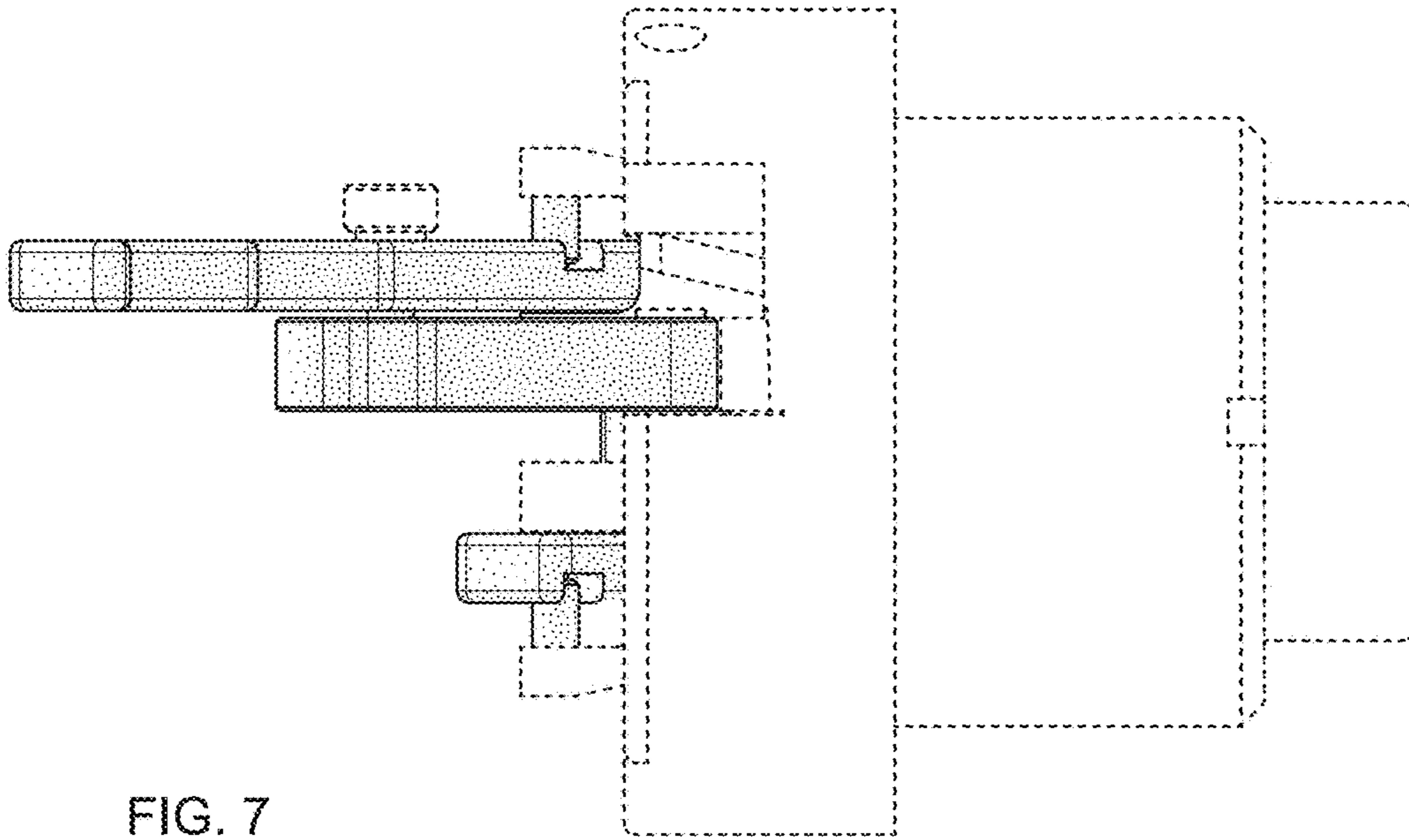


FIG. 7

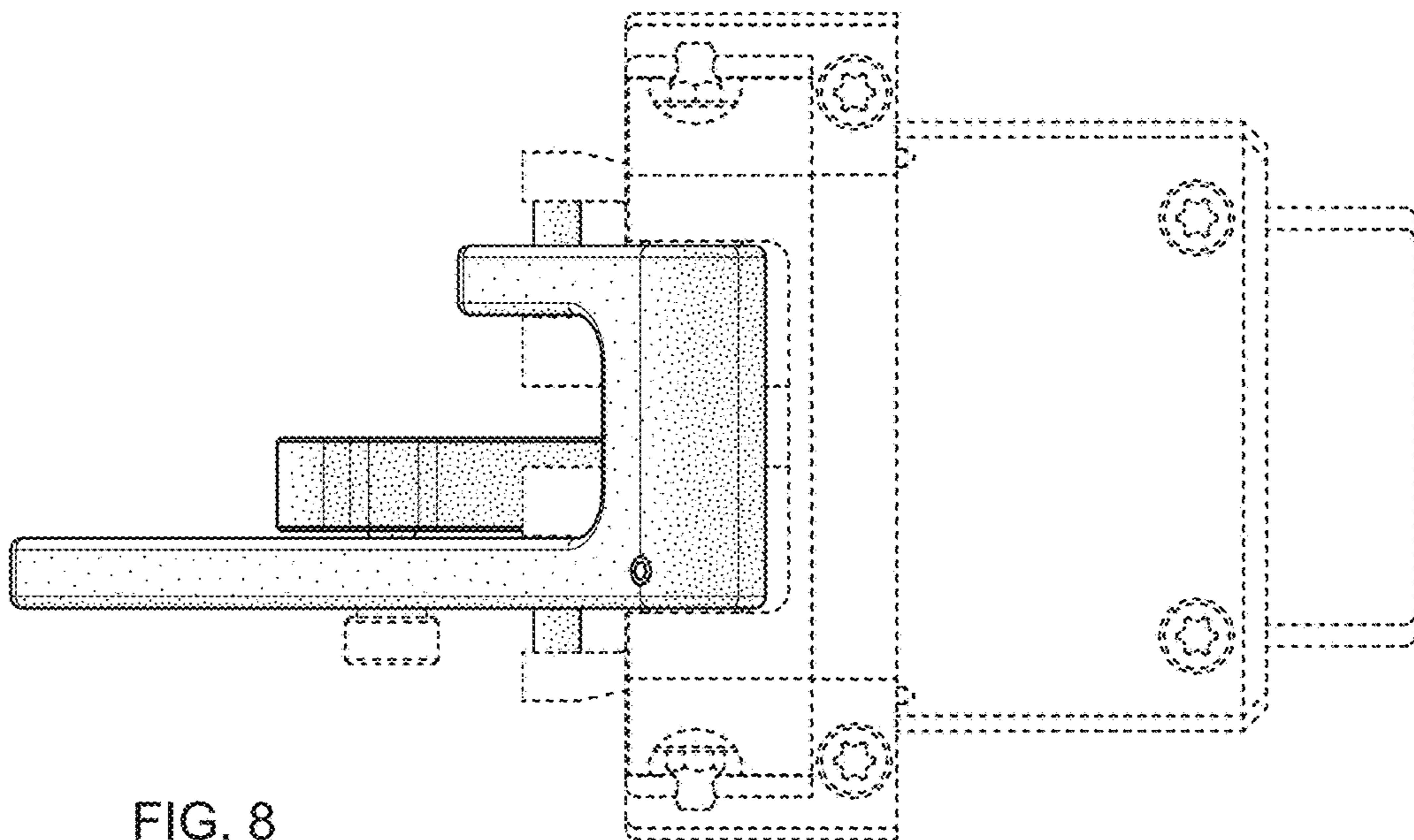


FIG. 8

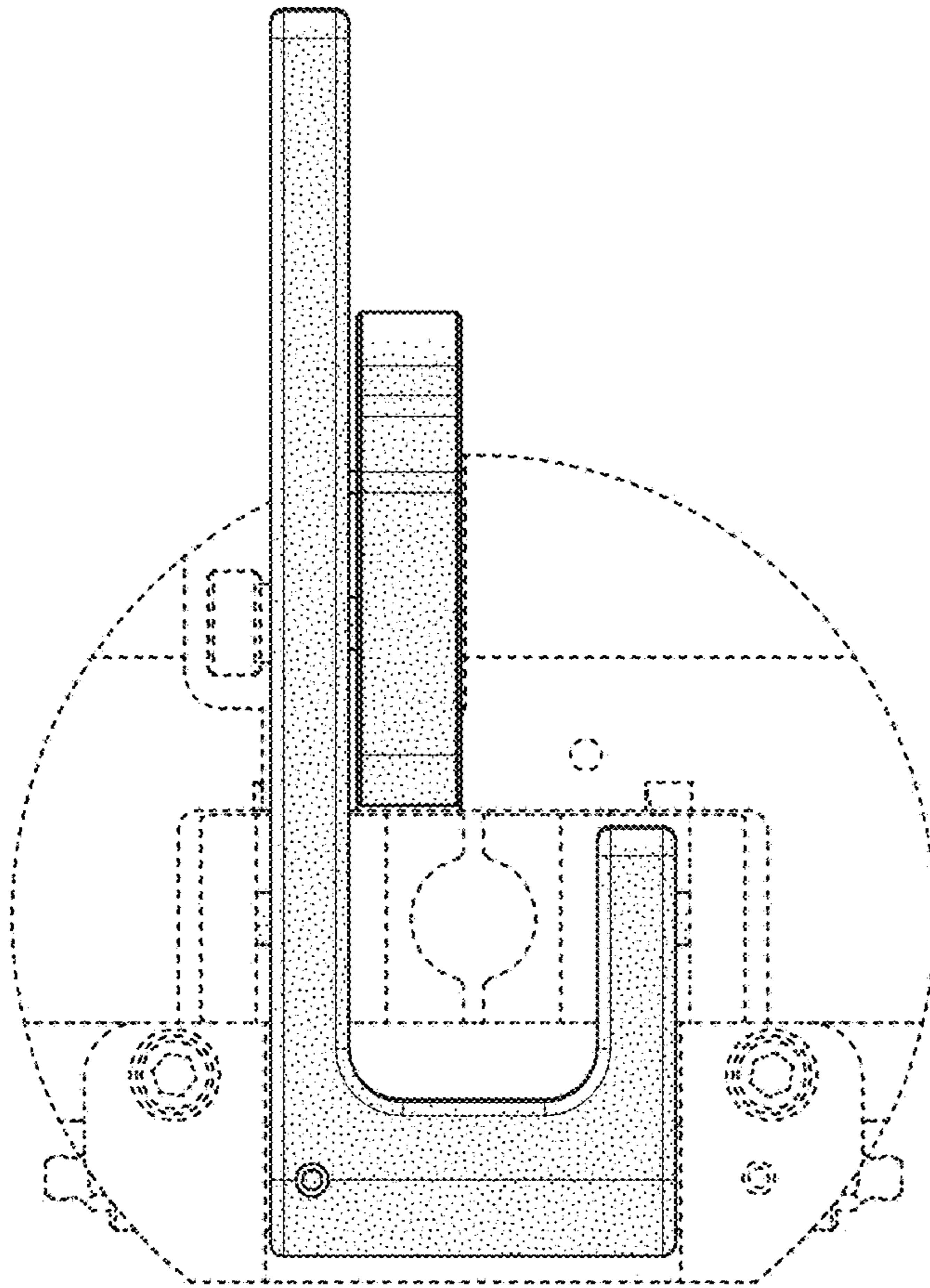


FIG. 9

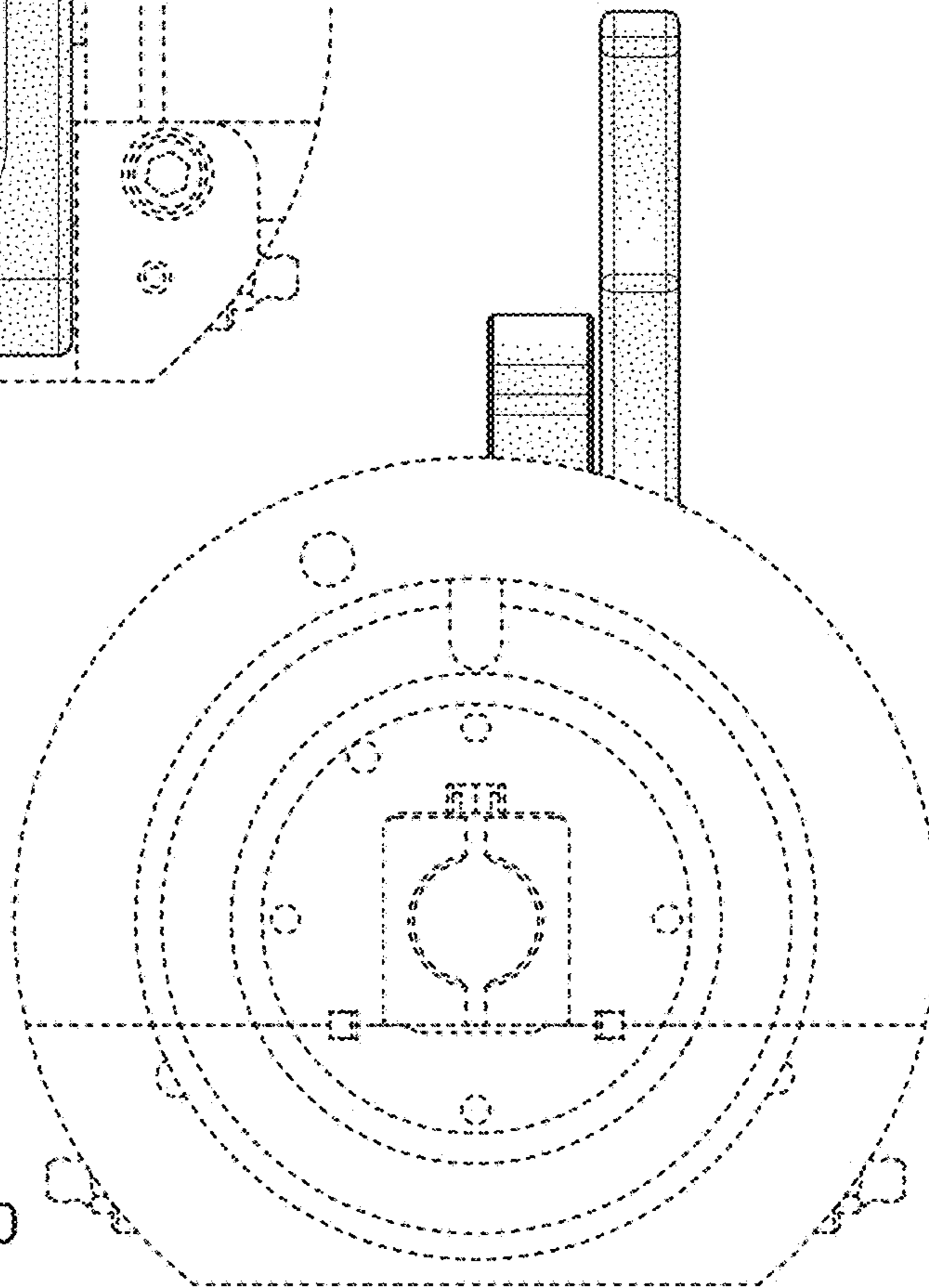


FIG. 10



FIG. 11

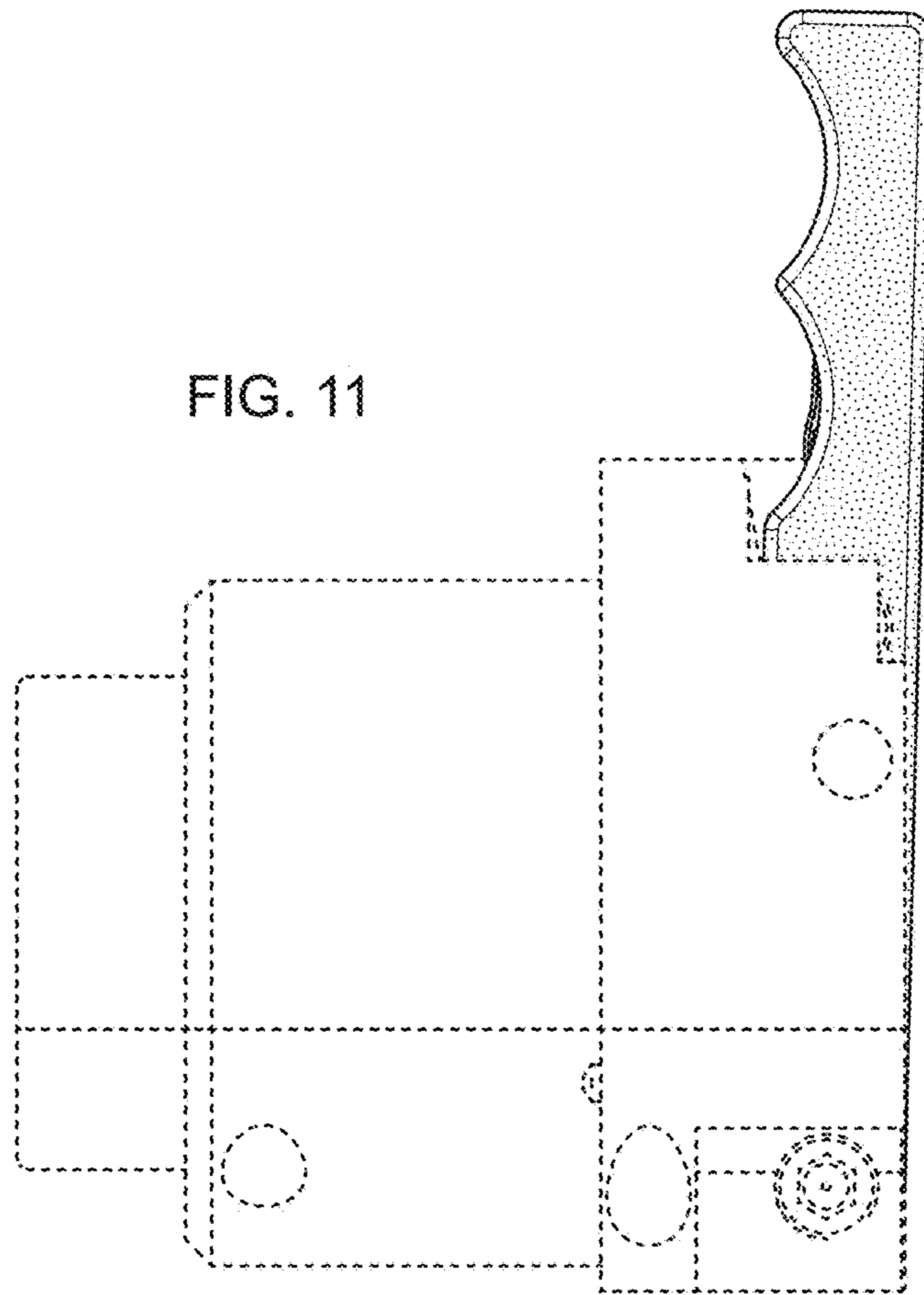
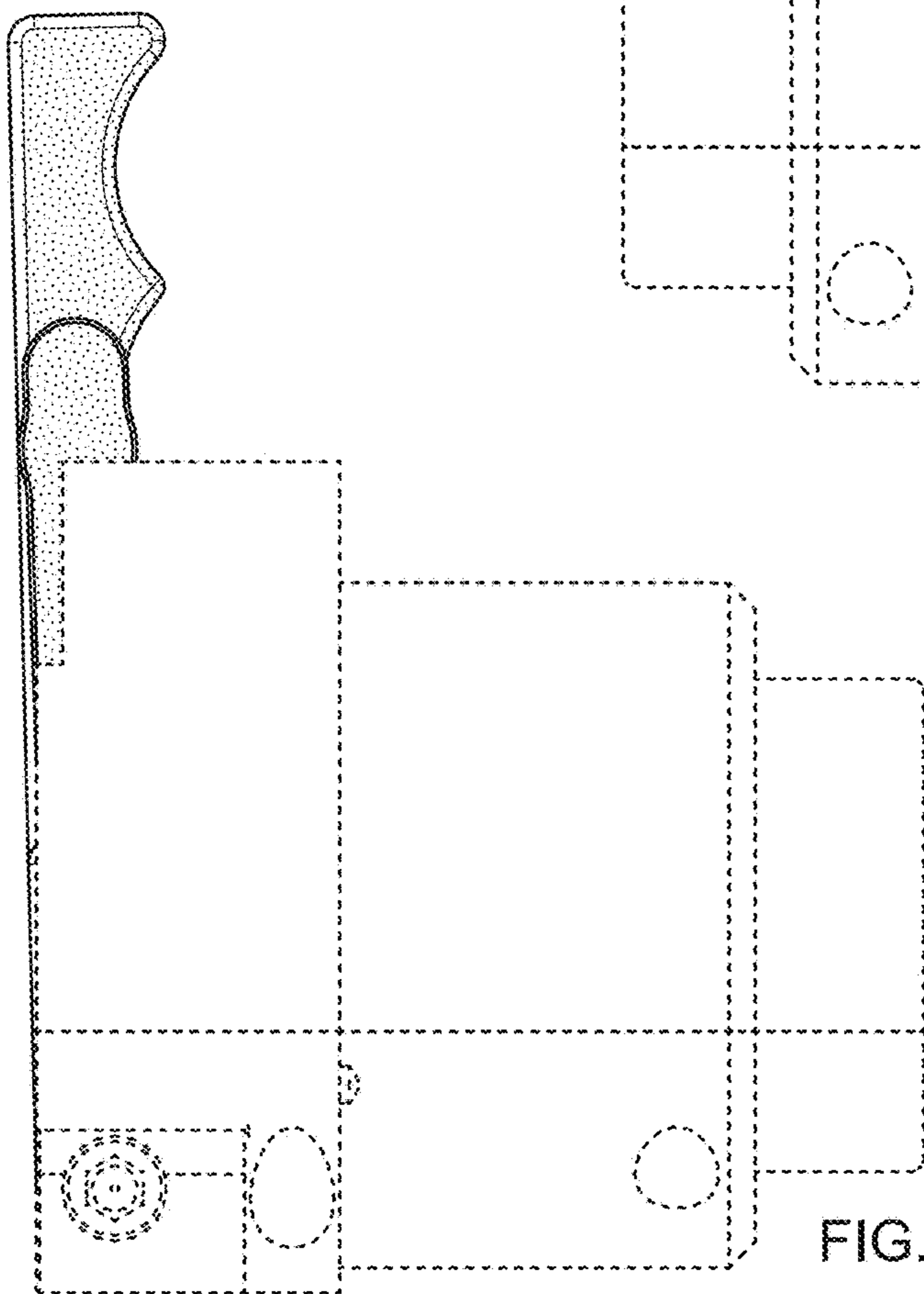


FIG. 12





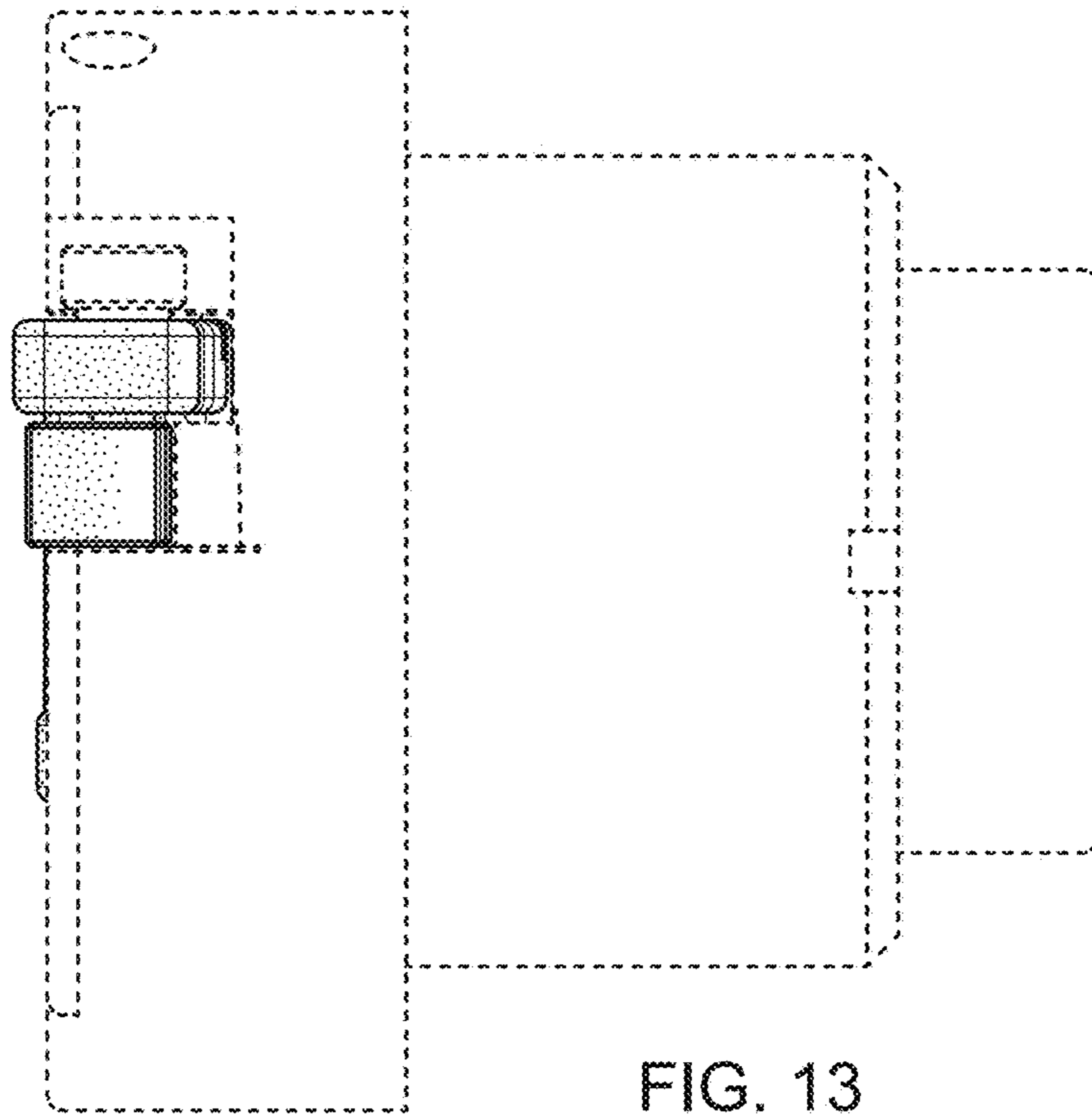


FIG. 13

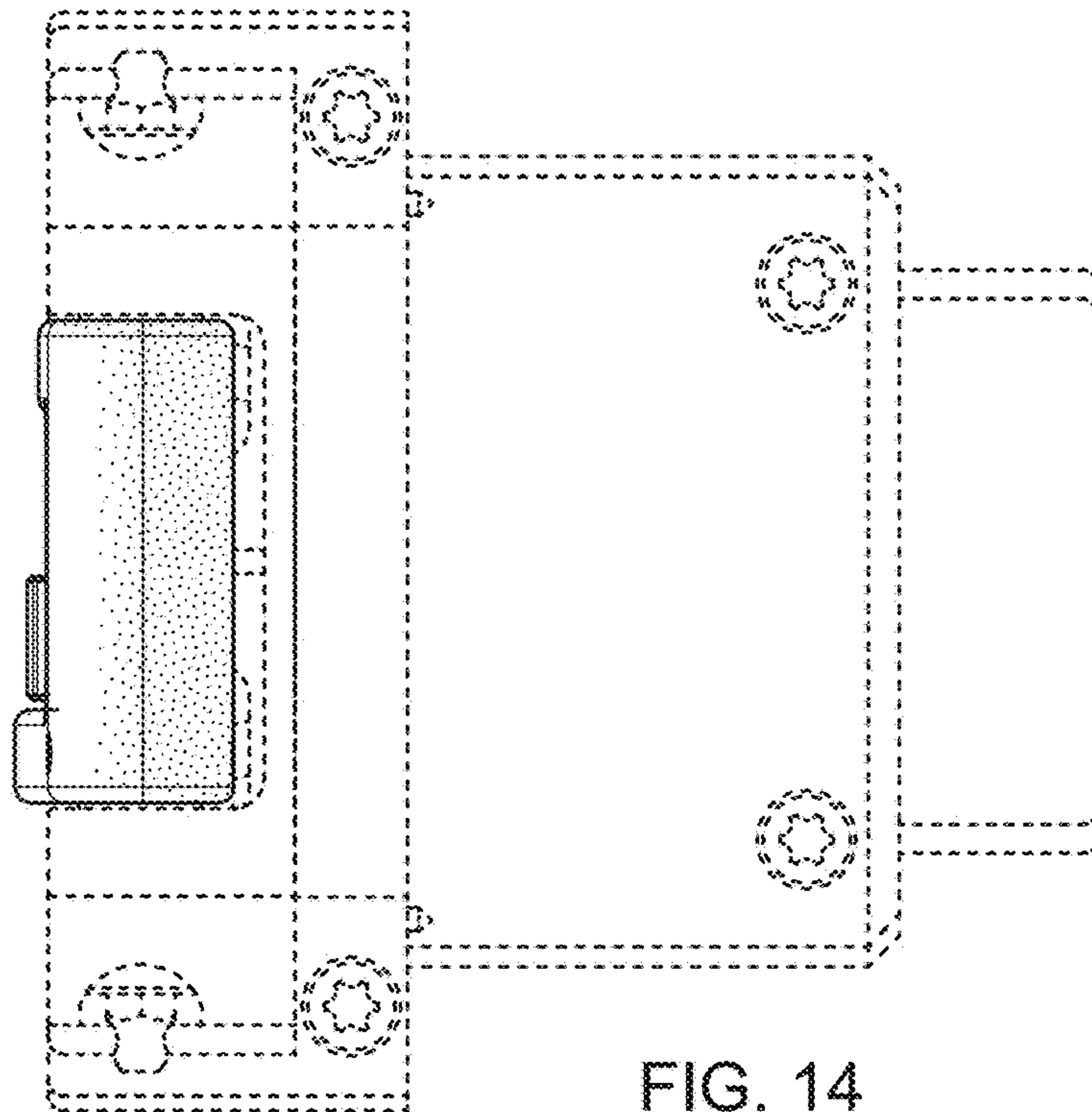


FIG. 14

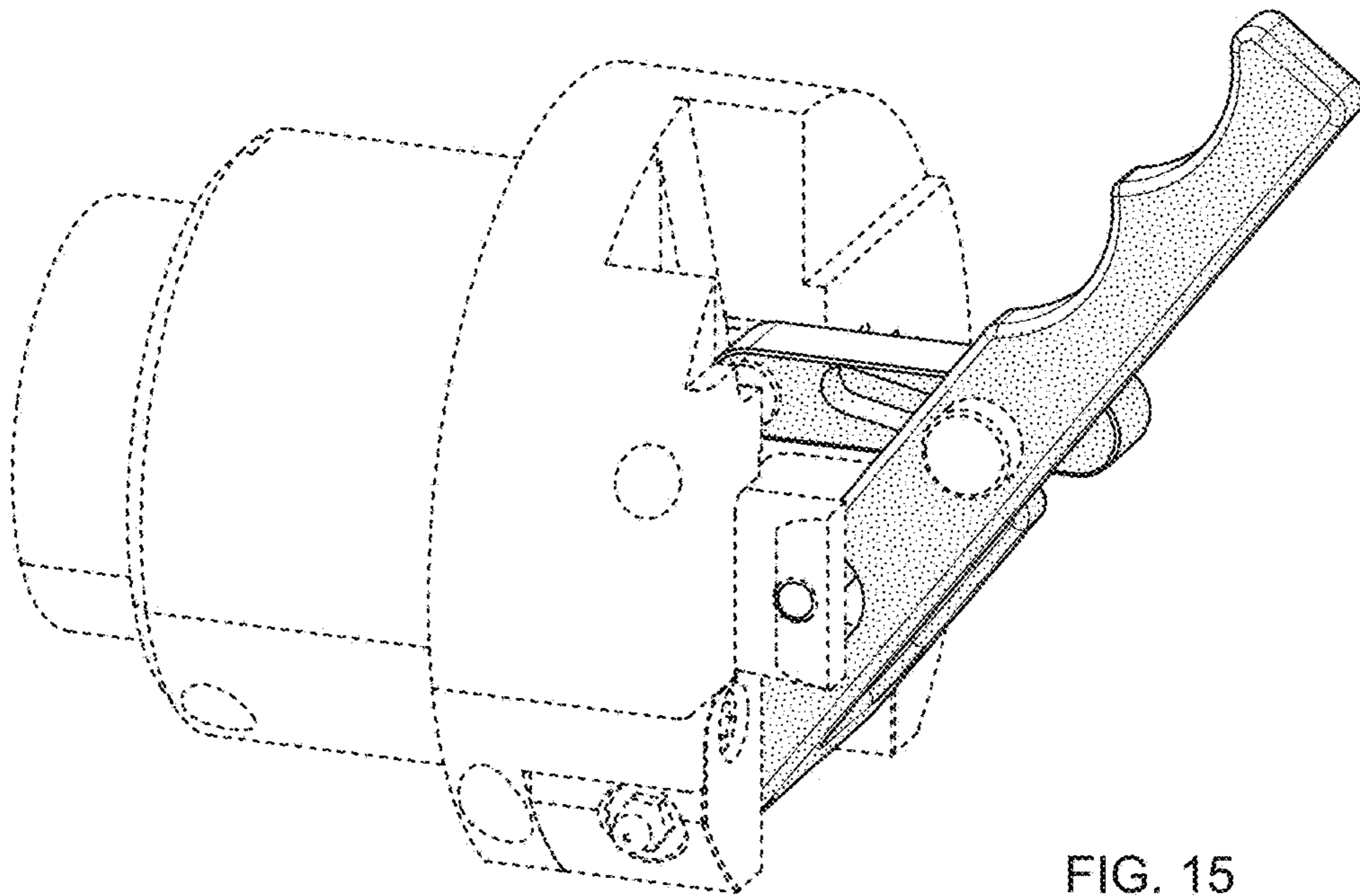


FIG. 15