



US00D782273S

(12) **United States Design Patent**  
**Cramer-Kelly**

(10) **Patent No.:** **US D782,273 S**  
(45) **Date of Patent:** **\*\* Mar. 28, 2017**

(54) **ARTICULATABLE JOINT FOR ACCESSORY MOUNT**

(71) Applicant: **Leader Motorsports Accessories, Inc.**,  
St. Francis, MN (US)

(72) Inventor: **Tracey Cramer-Kelly**, St. Francis, MN  
(US)

(73) Assignee: **Leader Motorsports Accessories, Inc.**,  
St. Francis, MN (US)

(\*\*) Term: **15 Years**

(21) Appl. No.: **29/552,972**

(22) Filed: **Jan. 27, 2016**

(51) **LOC (10) Cl.** ..... **08-06**

(52) **U.S. Cl.**  
USPC ..... **D8/323**

(58) **Field of Classification Search**  
USPC .... D8/323, 328; 16/387, 342, 337; D23/323  
(Continued)

(56) **References Cited**

U.S. PATENT DOCUMENTS

D30,721 S \* 5/1899 Decker ..... D8/323  
D293,003 S \* 12/1987 Larkin ..... D12/217  
(Continued)

*Primary Examiner* — Cynthia Underwood

(74) *Attorney, Agent, or Firm* — Haugen Law Firm PLLP

(57) **CLAIM**

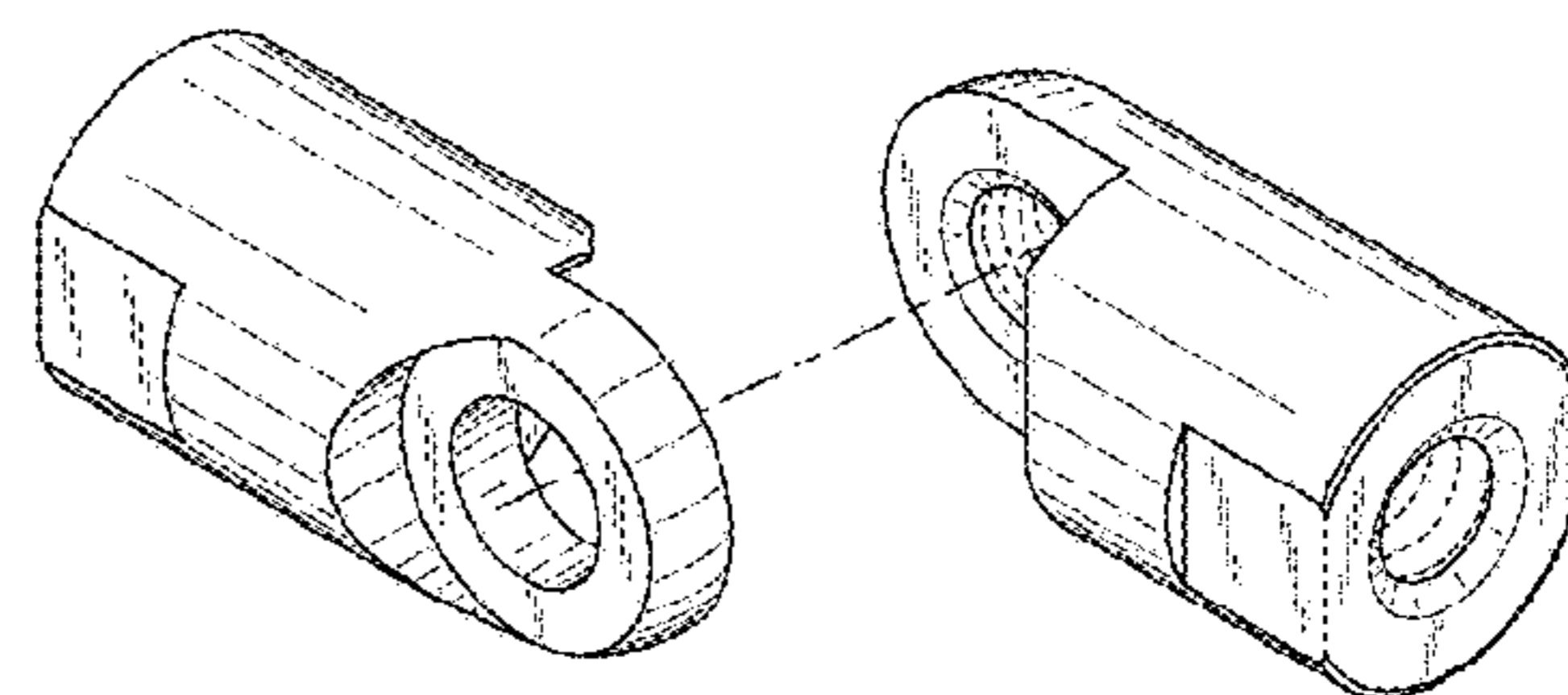
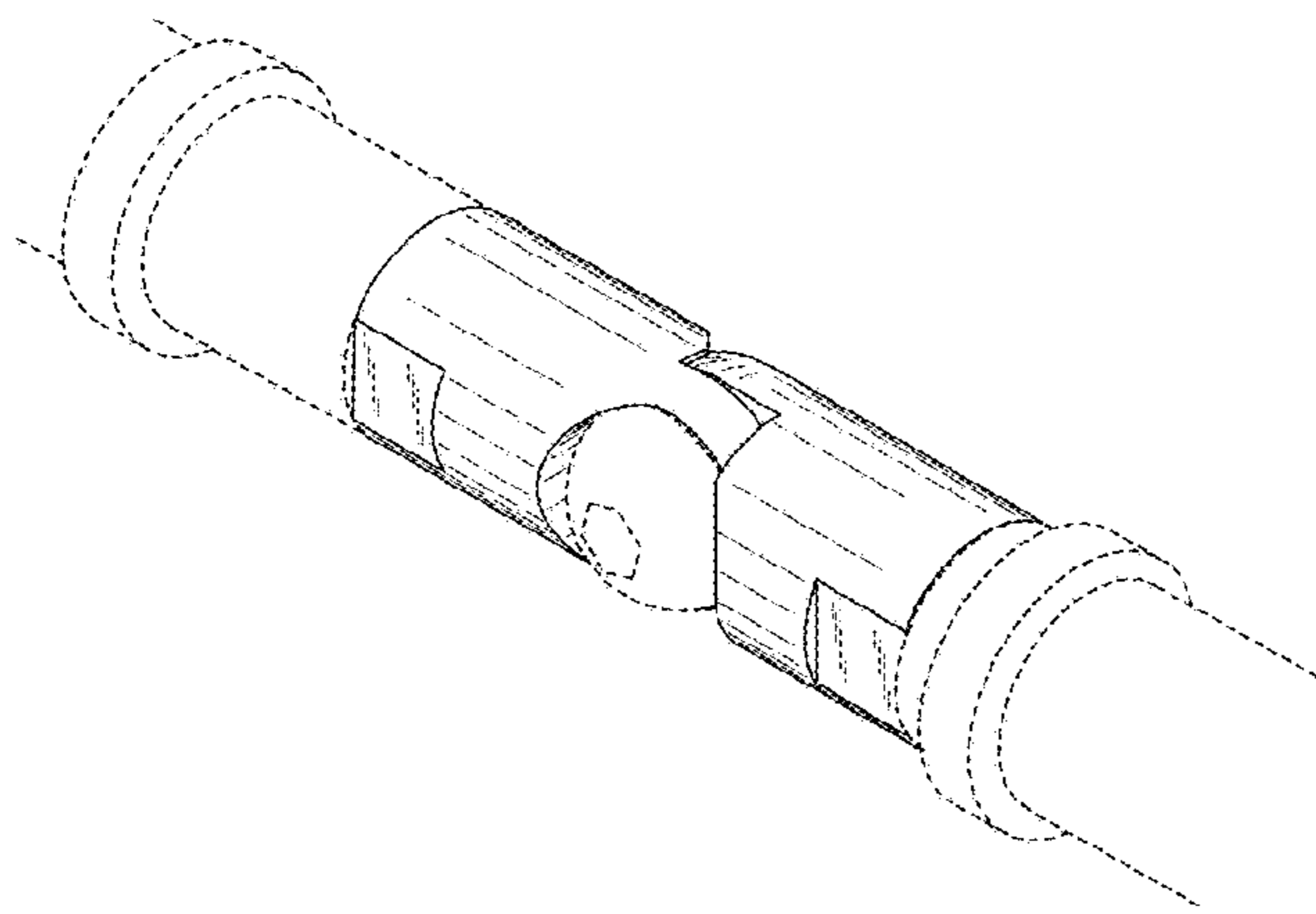
The ornamental design for an articulatable joint for accessory mount, as shown and described.

**DESCRIPTION**

FIG. 1 is an assembly view of first and second components of the articulatable joint for accessory mount, including environmental structure to which the articulatable joint for accessory mount may be secured;

FIG. 2 is a front assembly view of first and second components of the articulatable joint for accessory mount; FIG. 3 is a rear assembly view of the first and second components of the articulatable joint for accessory mount; FIG. 4 is a front perspective exploded assembly view of first and second components of the articulatable joint for accessory mount; FIG. 5 is a front perspective view of the first component of the articulatable joint for accessory mount; FIG. 6 is a rear lower perspective view of the first component of the articulatable joint for accessory mount; and FIG. 7 is a rear upper perspective view of the first component of the articulatable joint for accessory mount; FIG. 8 is a first end elevational view of the first component of the articulatable joint for accessory mount; FIG. 9 is a second end elevational view of the first component of the articulatable joint for accessory mount; FIG. 10 is a top plan view of the first component of the articulatable joint for accessory mount; FIG. 11 is a bottom plan view of the first component of the articulatable joint for accessory mount; FIG. 12 is a rear elevational side view of the first component of the articulatable joint for accessory mount; FIG. 13 is a front elevational side view of the first component of the articulatable joint for accessory mount; FIG. 14 is a rear perspective view of the second component of the articulatable joint for accessory mount; FIG. 15 is a front lower perspective view of the second component of the articulatable joint for accessory mount; FIG. 16 is a front upper perspective view of the second component of the articulatable joint for accessory mount; FIG. 17 is a first end elevational view of the second component of the articulatable joint for accessory mount; FIG. 18 is a second end elevational view of the second component of the articulatable joint for accessory mount; FIG. 19 is a top plan view of the second component of the articulatable joint for accessory mount; FIG. 20 is a bottom plan view of the second component of the articulatable joint for accessory mount; FIG. 21 is a front side elevational view of the second component of the articulatable joint for accessory mount; and, FIG. 22 is a rear side elevational view of the second component of the articulatable joint for accessory mount.

(Continued)



The broken line showing of environmental structure is for illustrative purposes only, and forms no part of the claimed design.

**1 Claim, 7 Drawing Sheets**

(58) **Field of Classification Search**

CPC .. E05D 1/00; E05D 11/06; E05D 5/10; E05D  
3/02; E05D 11/082; A47K 13/12

See application file for complete search history.

(56) **References Cited**

U.S. PATENT DOCUMENTS

|                   |         |               |                          |
|-------------------|---------|---------------|--------------------------|
| D498,136 S *      | 11/2004 | Parker .....  | D8/323                   |
| D563,199 S *      | 3/2008  | Liao .....    | D8/323                   |
| D639,634 S *      | 6/2011  | Arai .....    | D8/323                   |
| D652,286 S *      | 1/2012  | Mair .....    | D8/356                   |
| D661,174 S *      | 6/2012  | Ogawa .....   | D8/323                   |
| 8,477,505 B2 *    | 7/2013  | Samuels ..... | G06F 1/1632<br>16/221    |
| D705,640 S *      | 5/2014  | Wiese .....   | D8/323                   |
| 2004/0137970 A1 * | 7/2004  | Han .....     | G06F 1/1616<br>455/575.3 |

\* cited by examiner

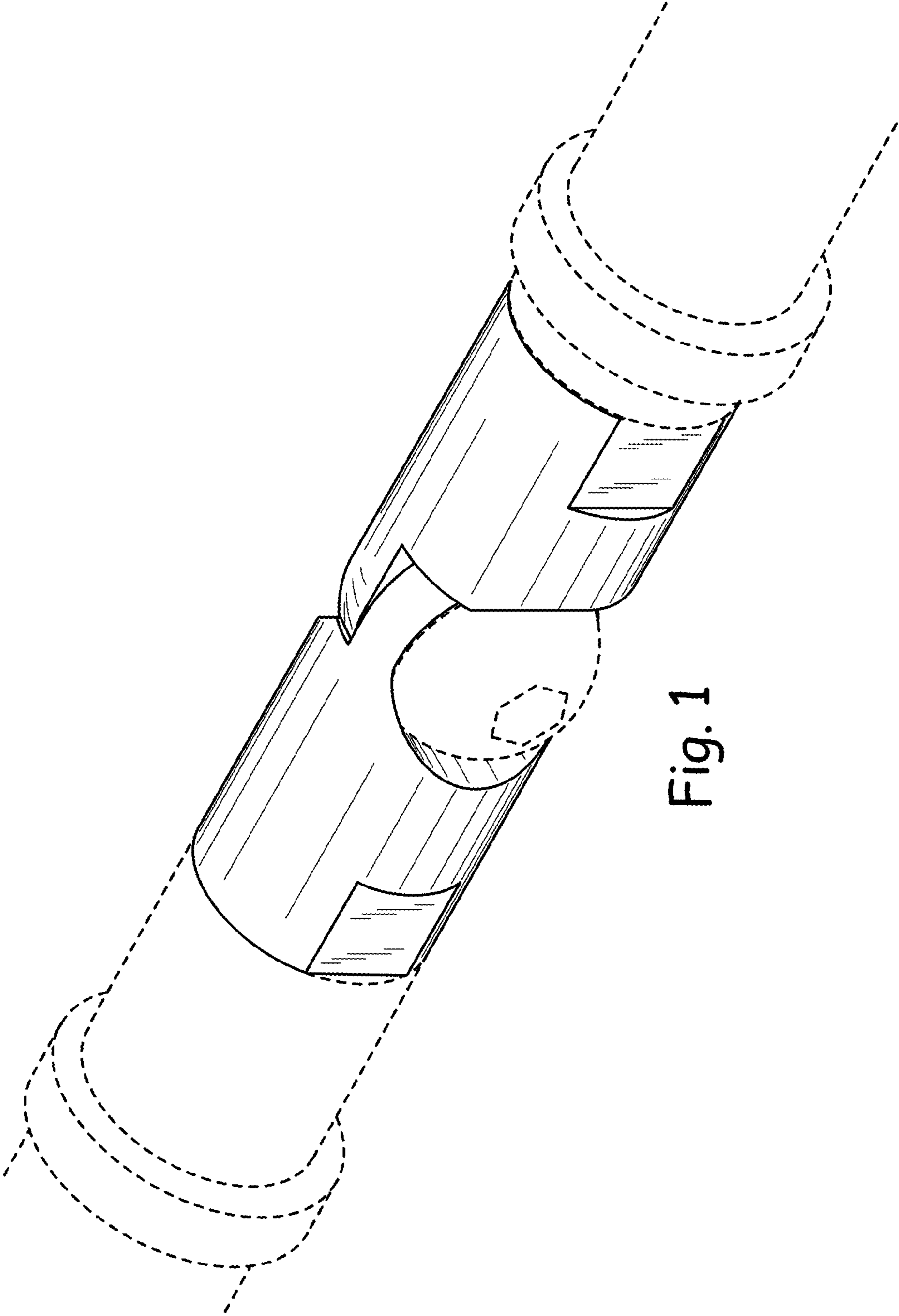


Fig. 1

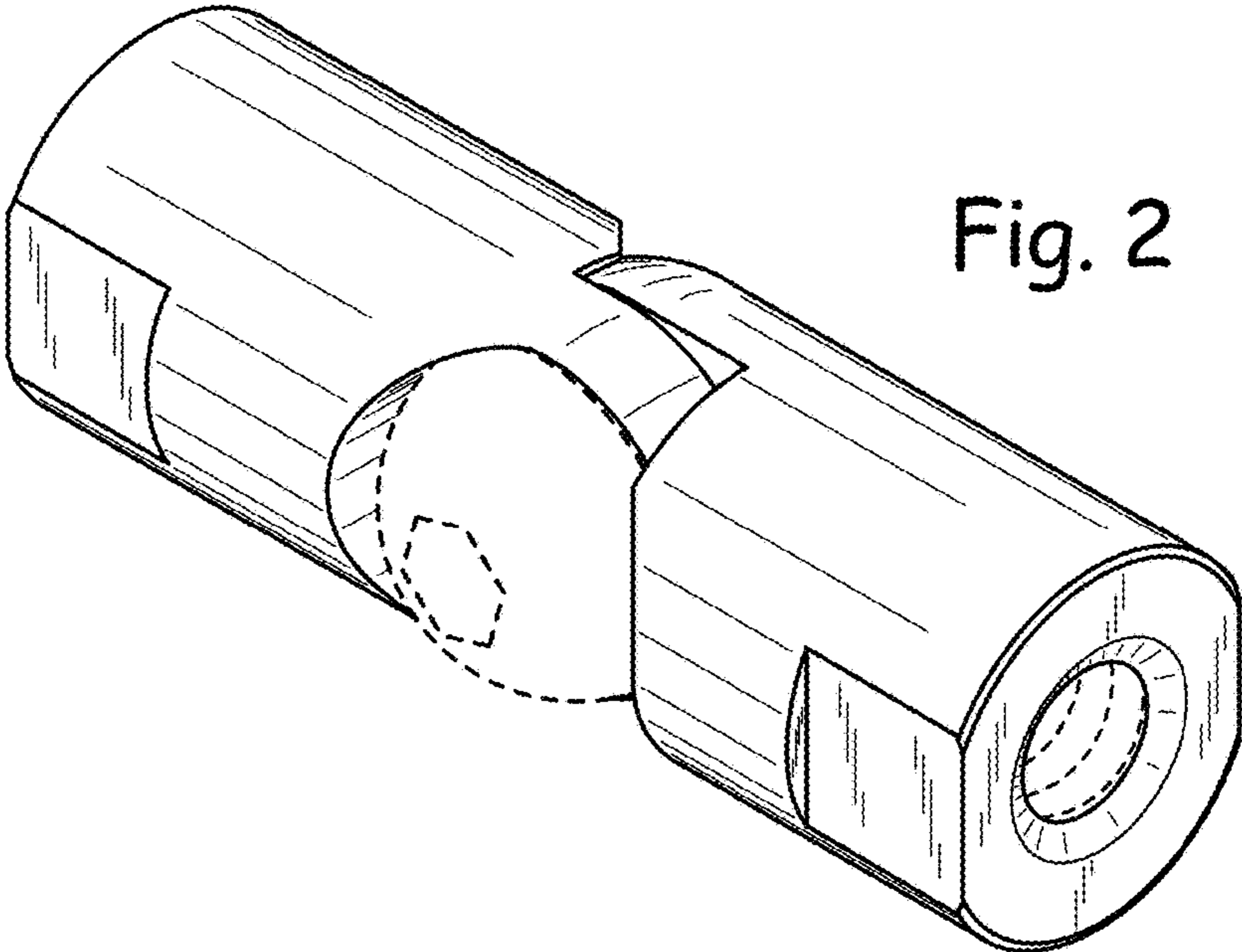


Fig. 2

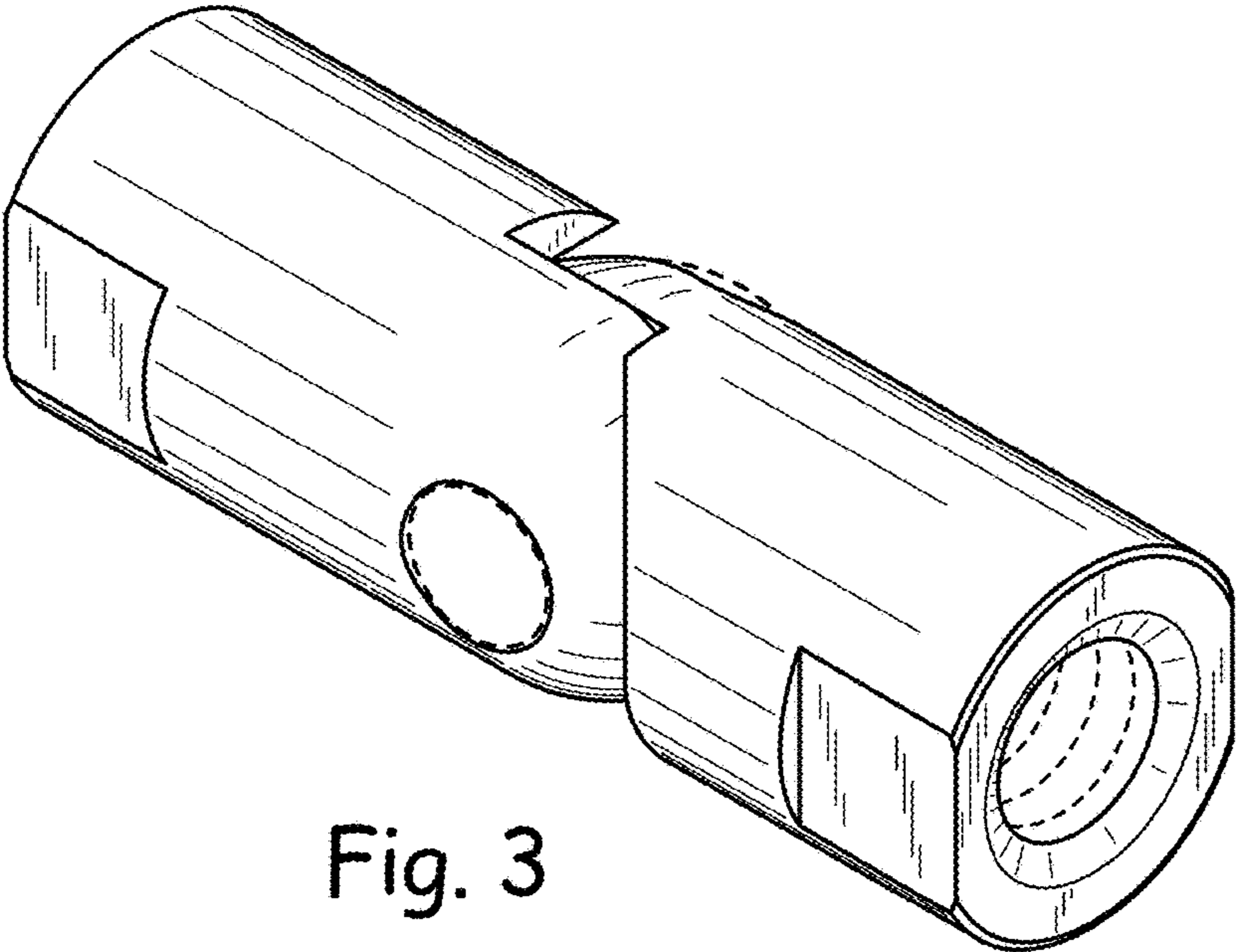


Fig. 3

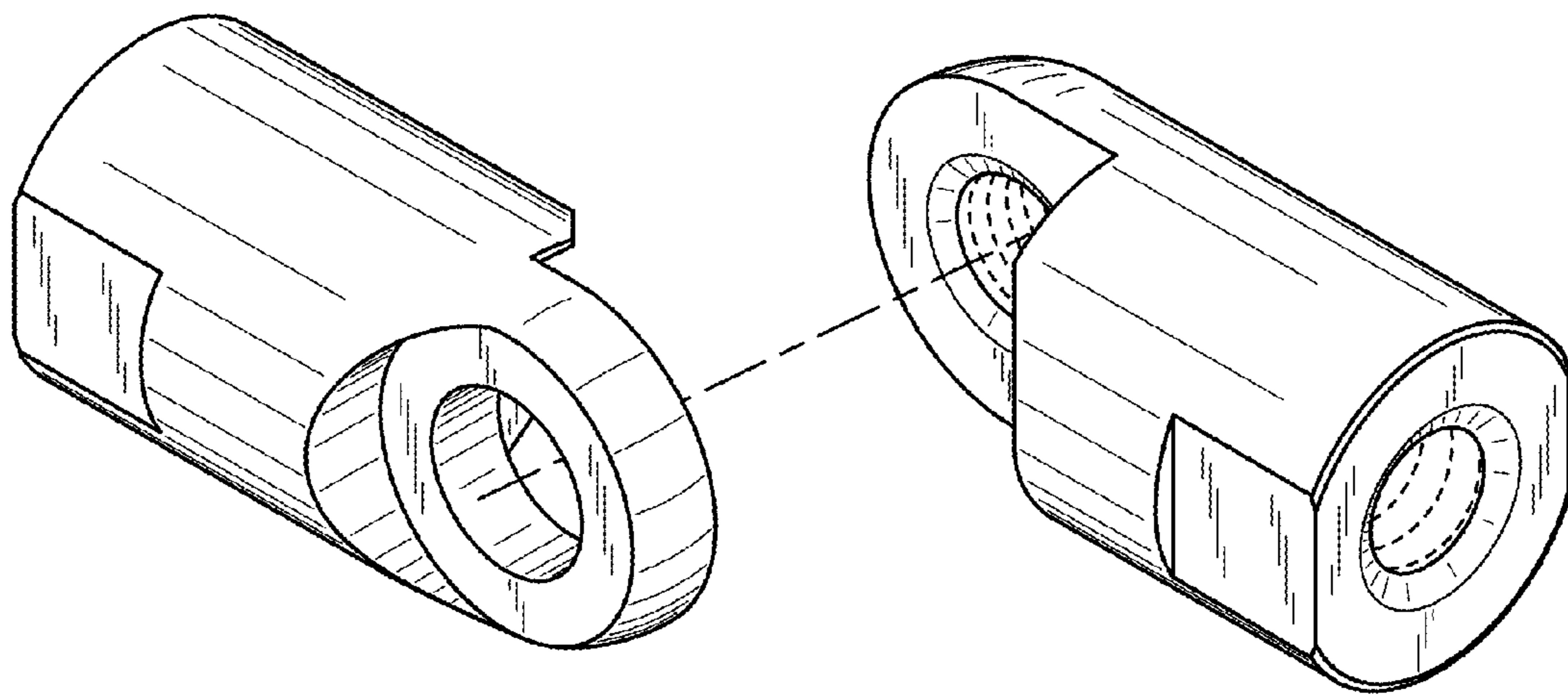
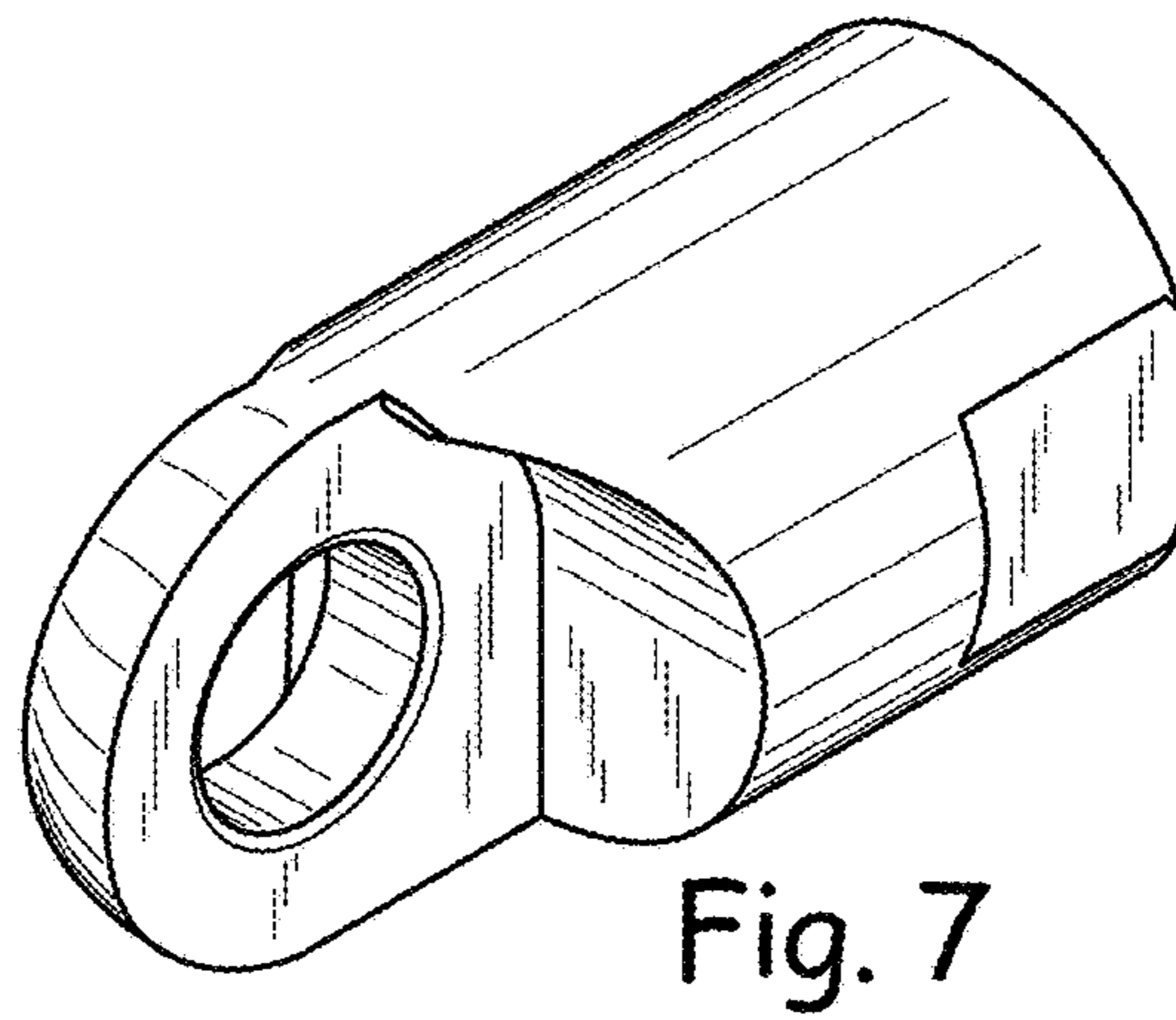
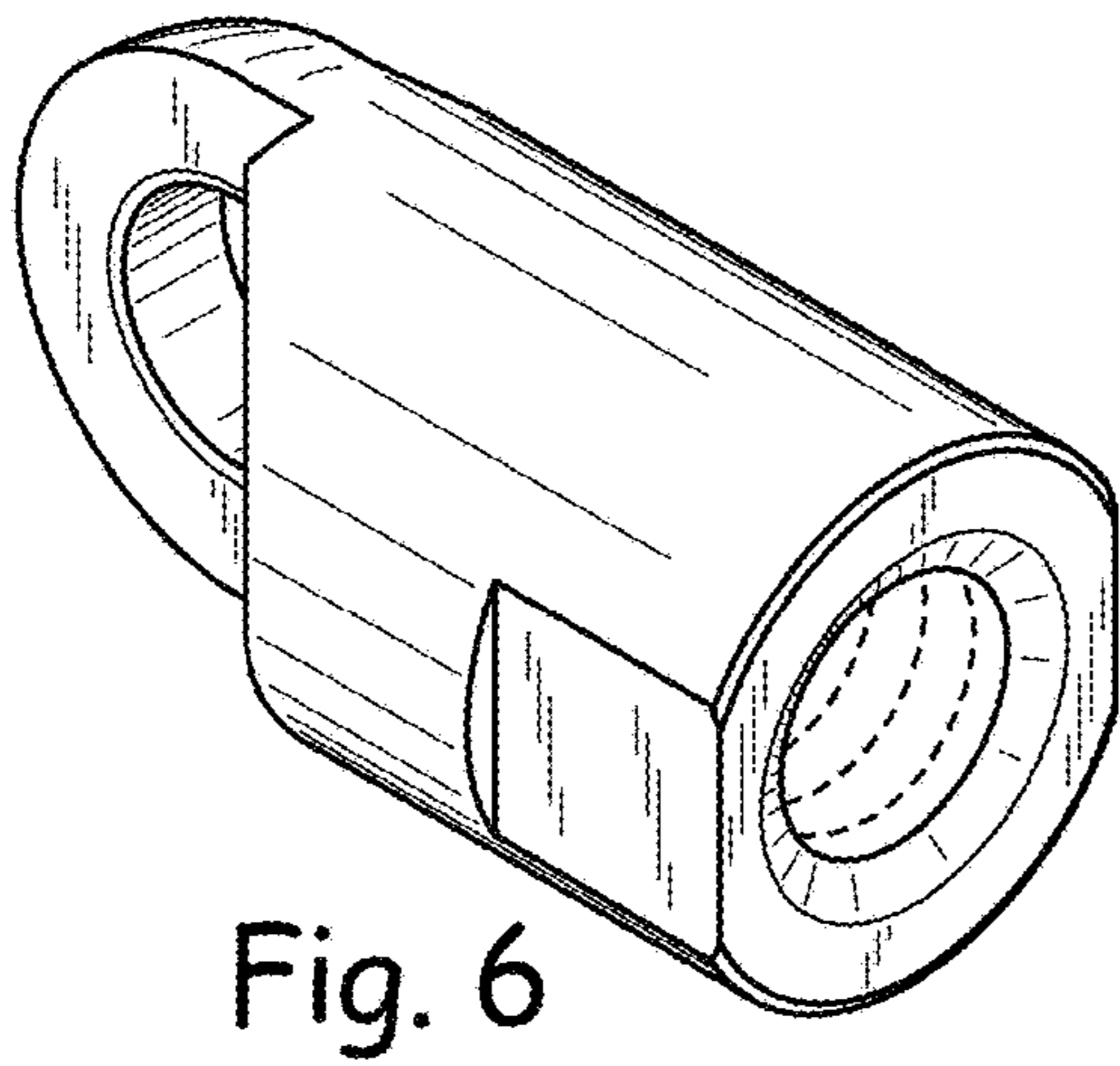
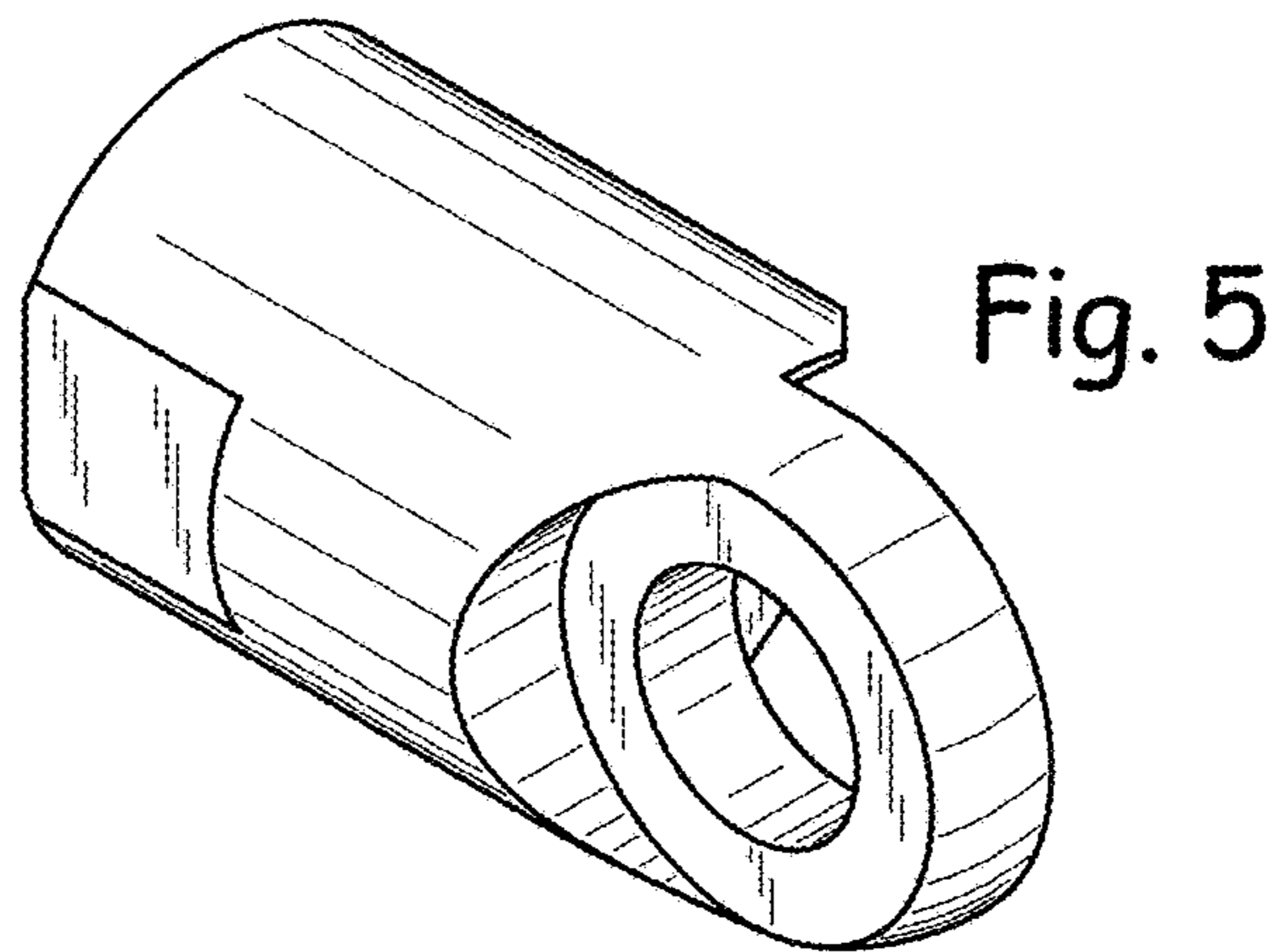


Fig. 4



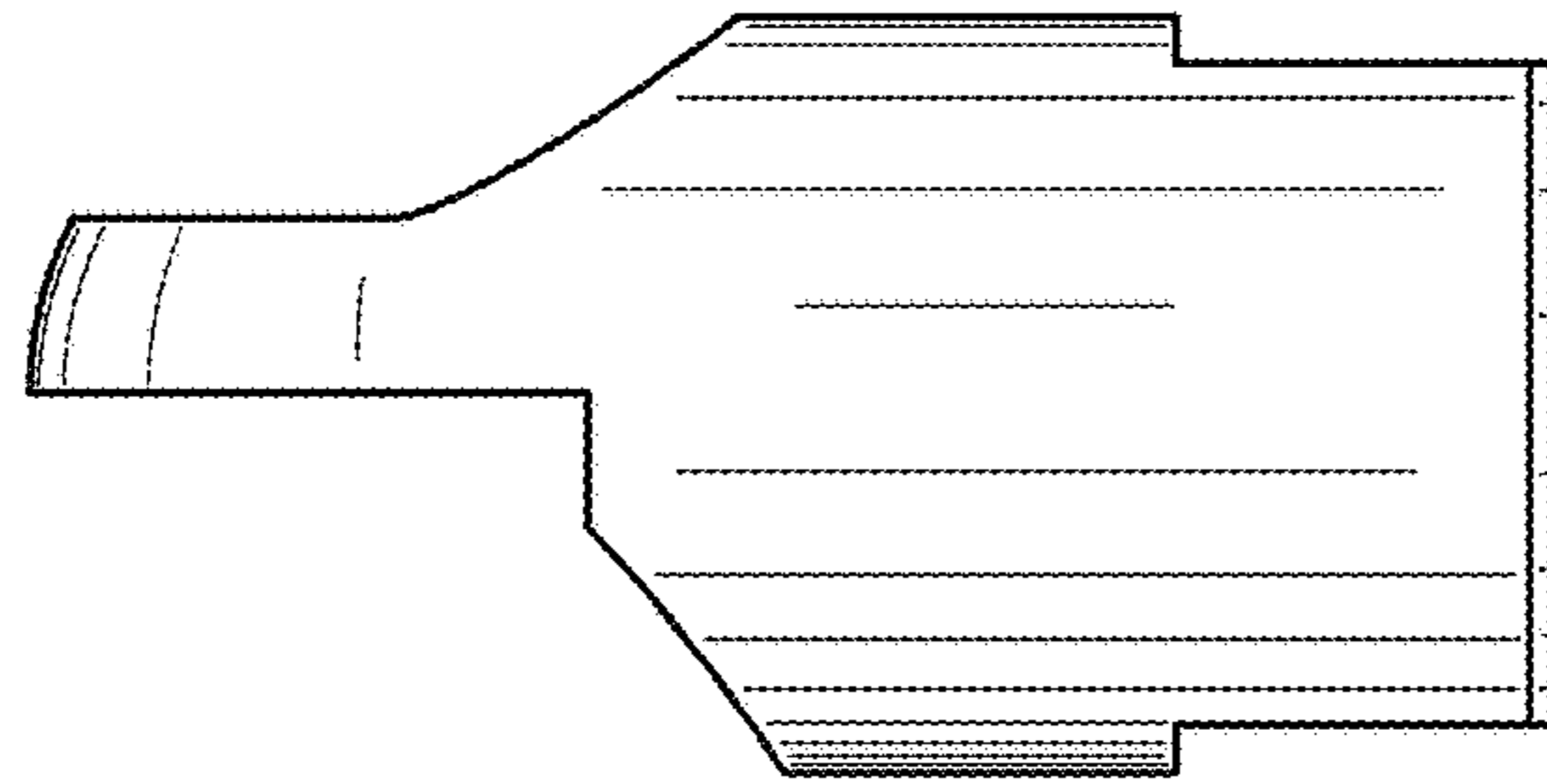


Fig. 10

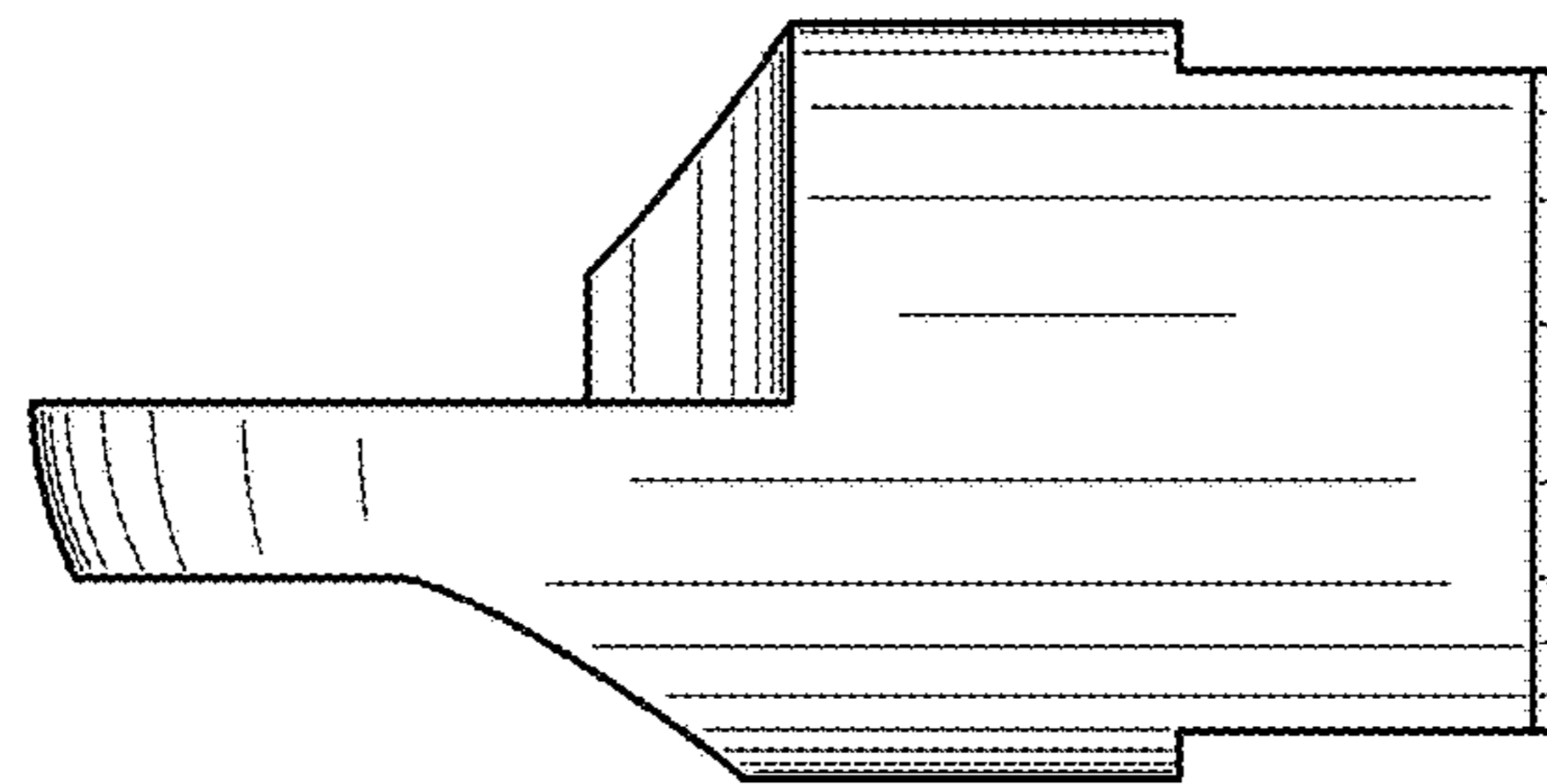


Fig. 11

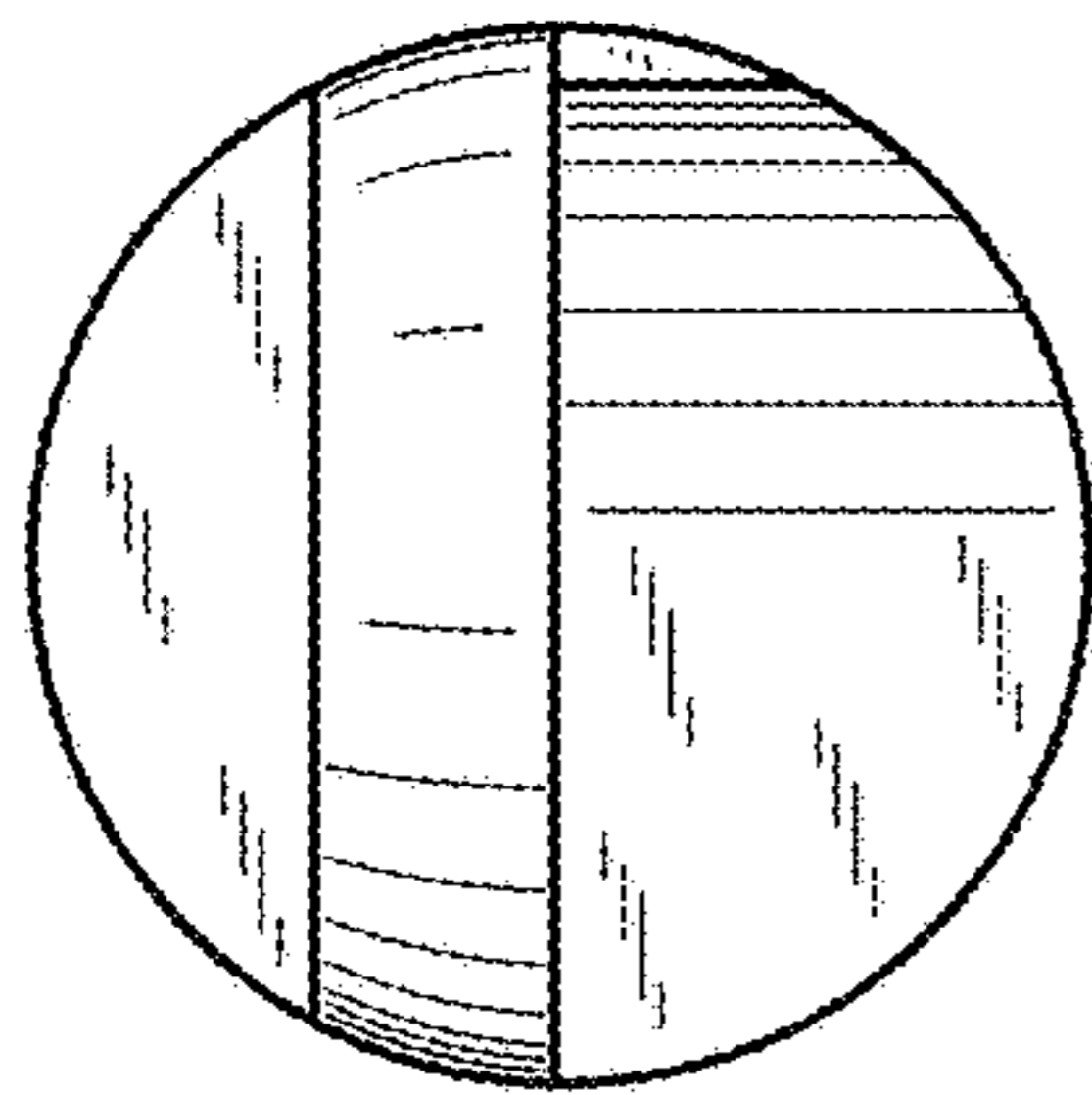


Fig. 8

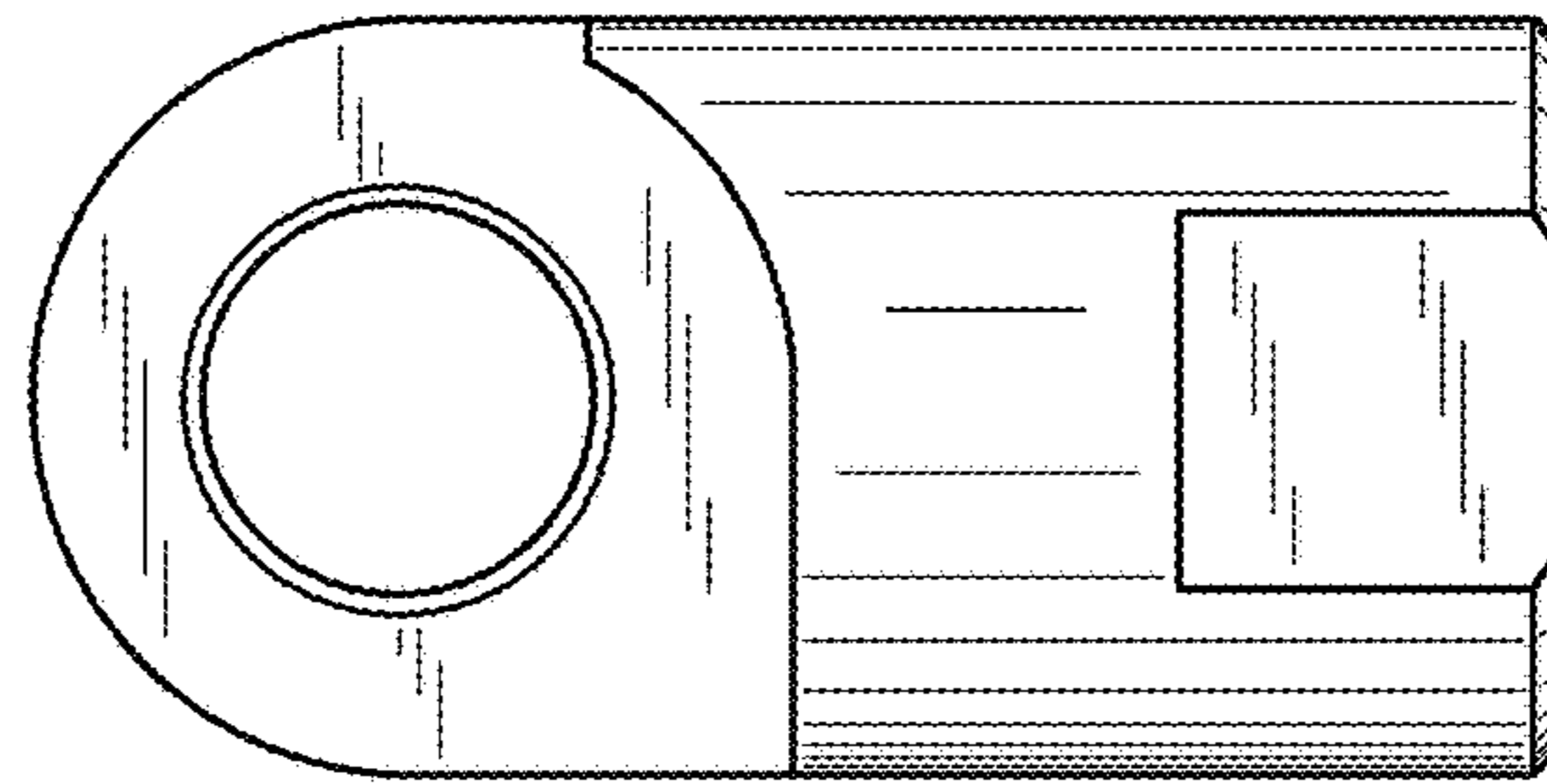


Fig. 12

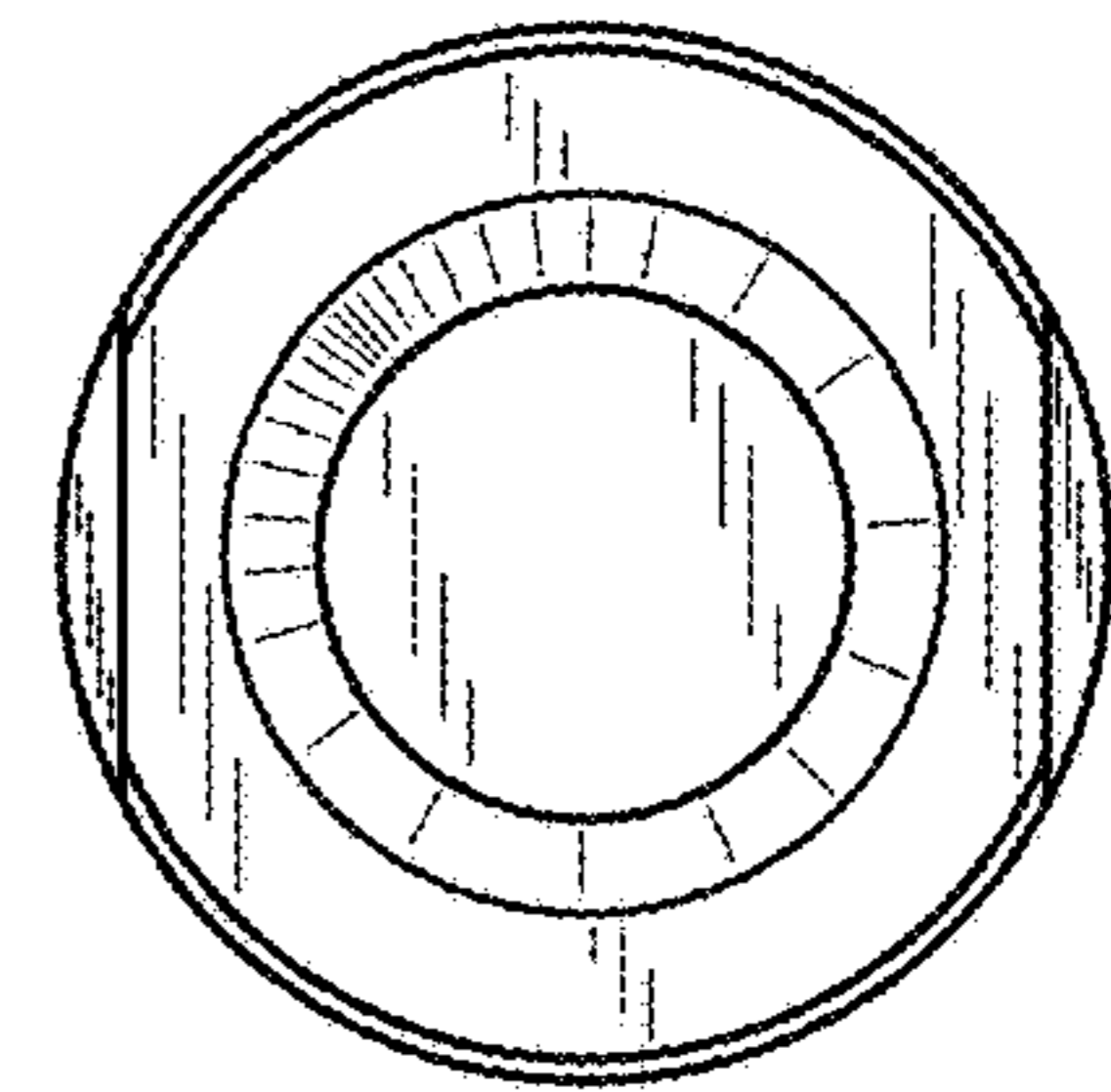
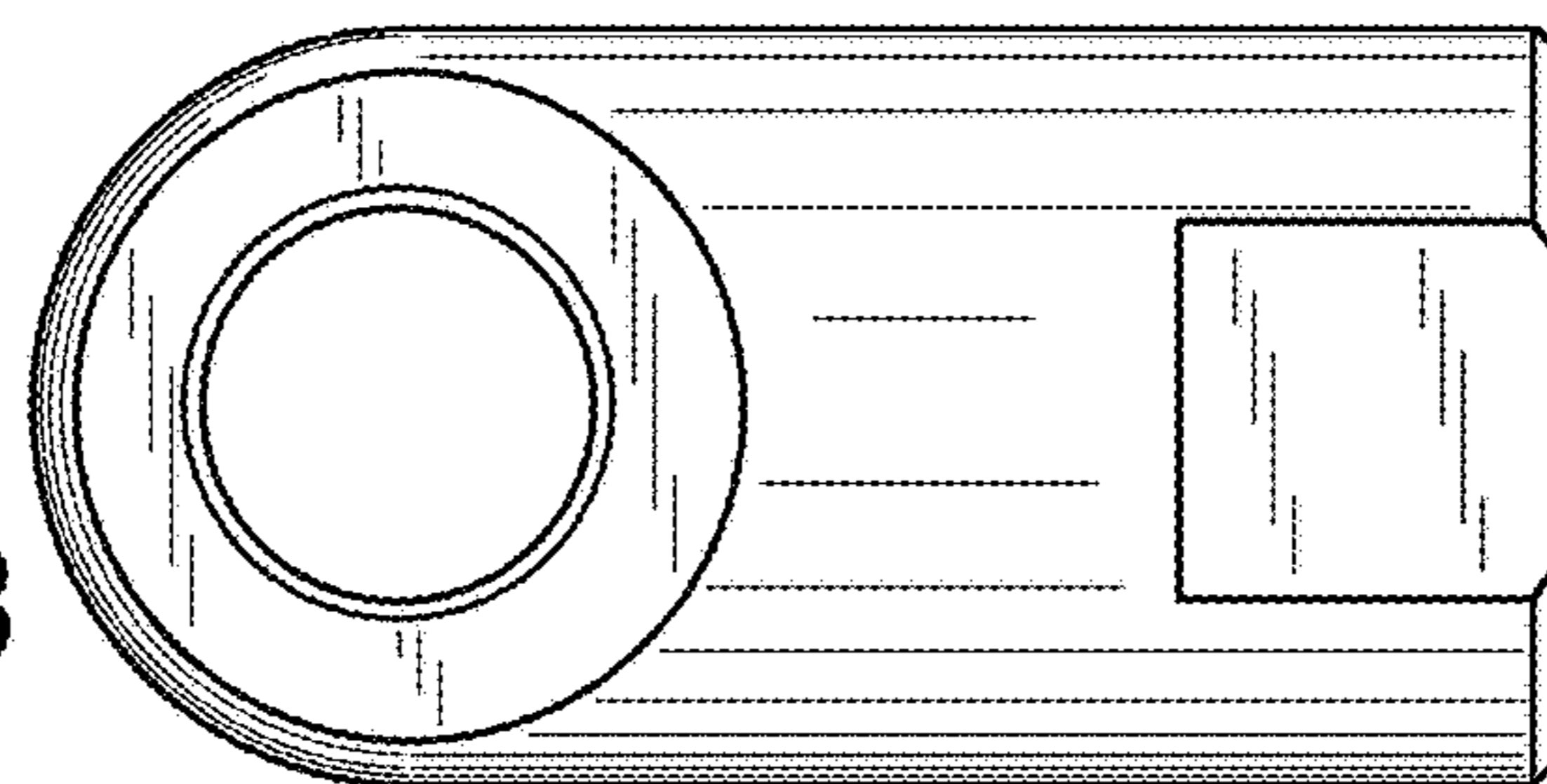


Fig. 9

Fig. 13



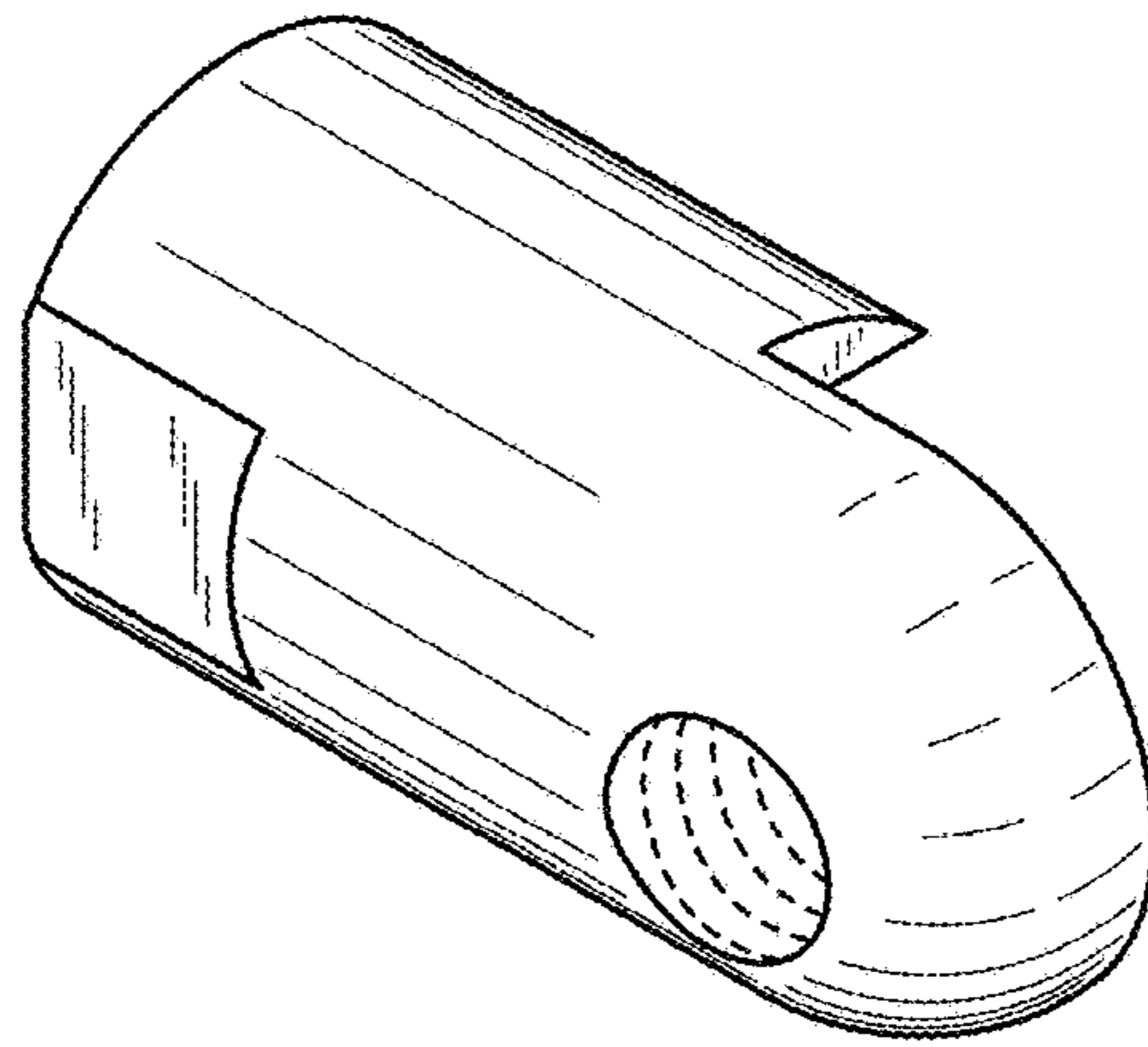


Fig. 14

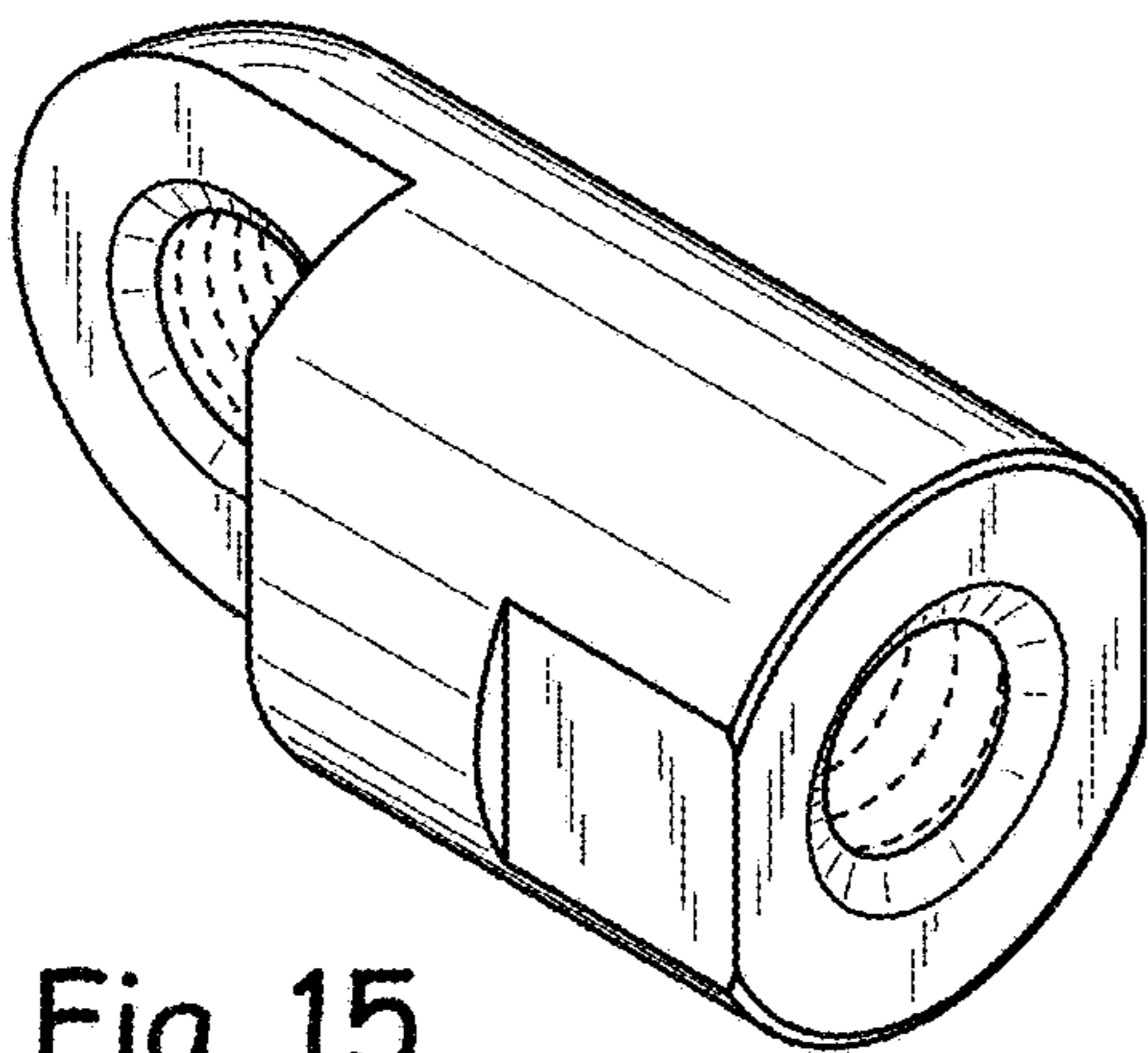


Fig. 15

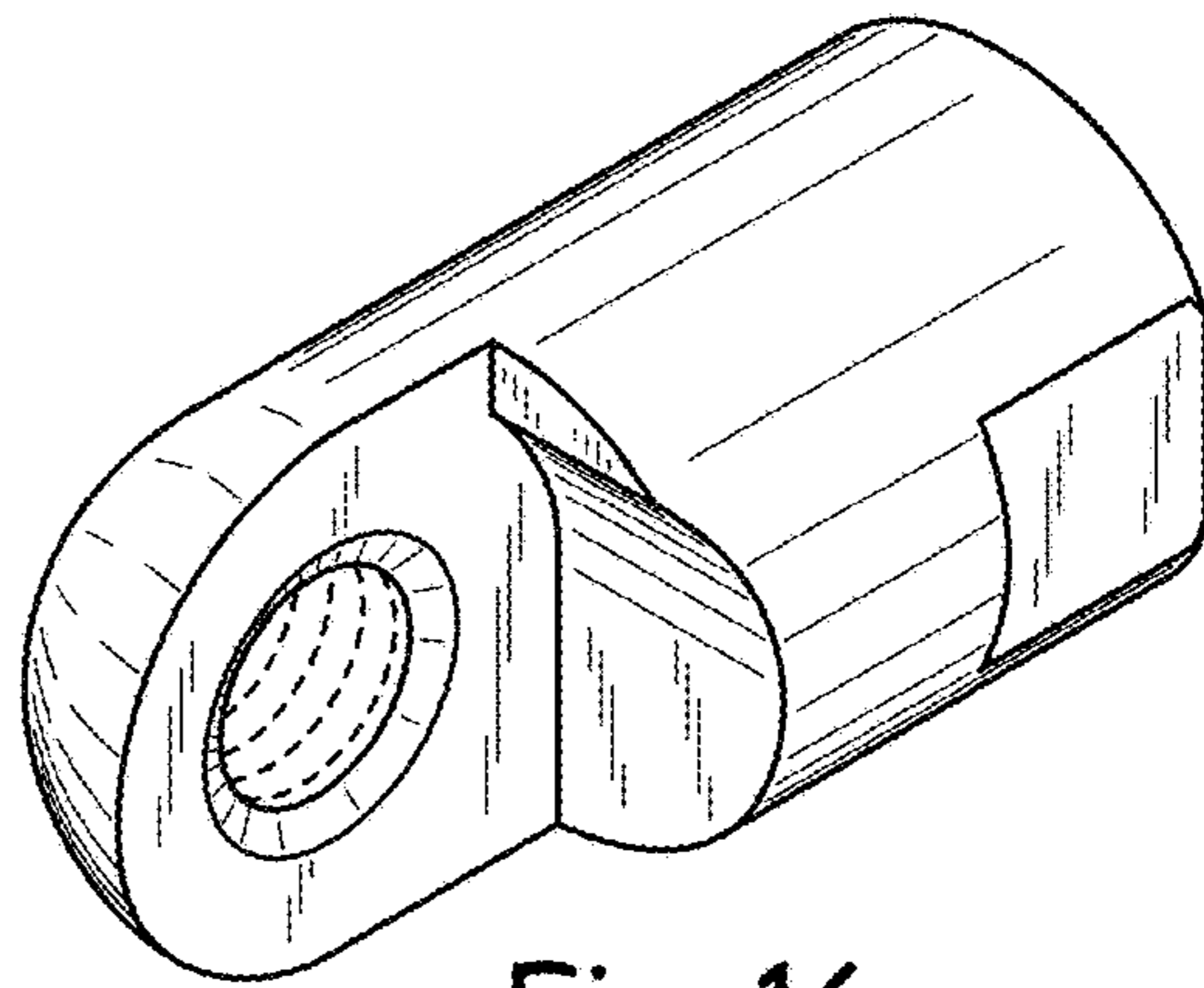


Fig. 16



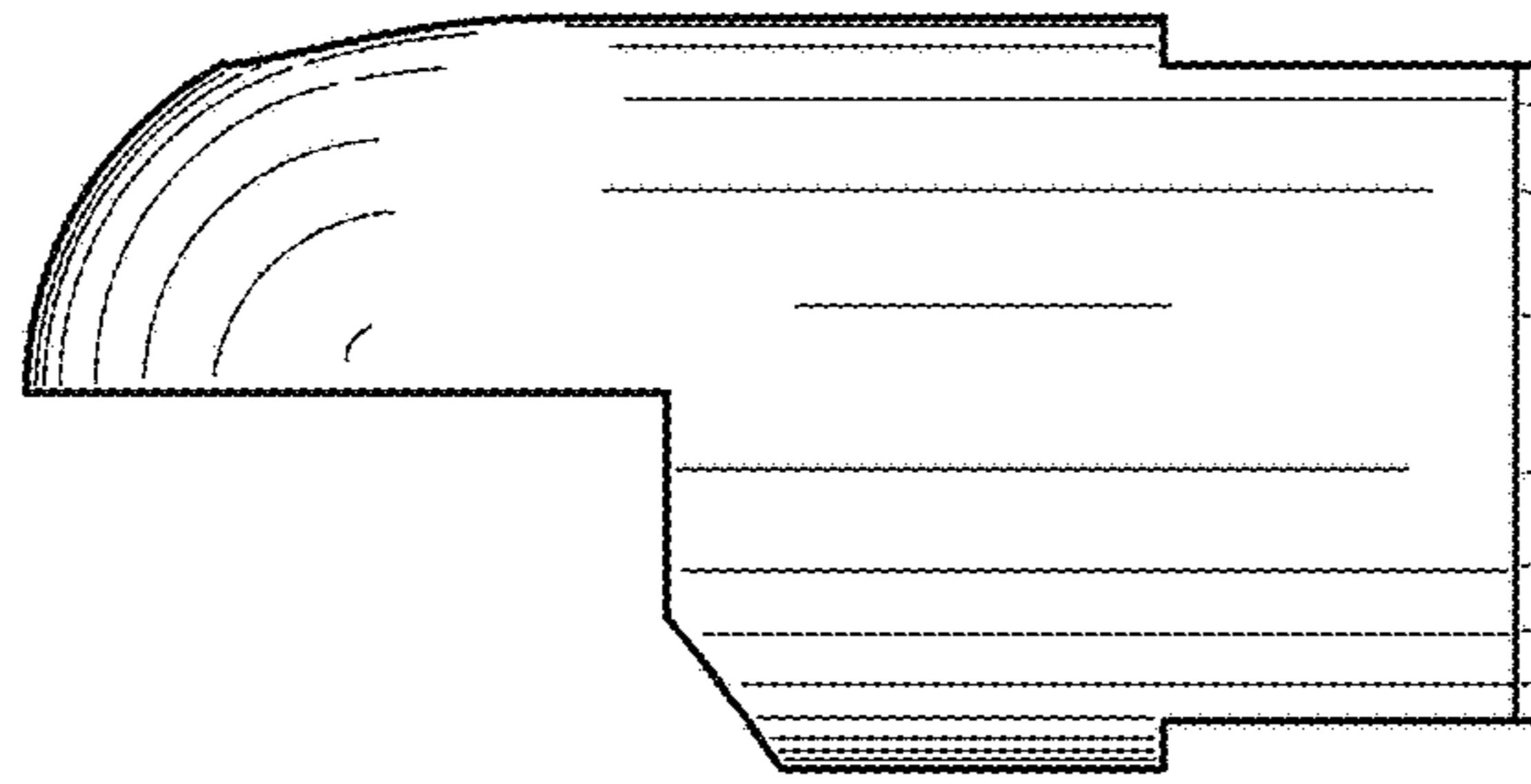


Fig. 19

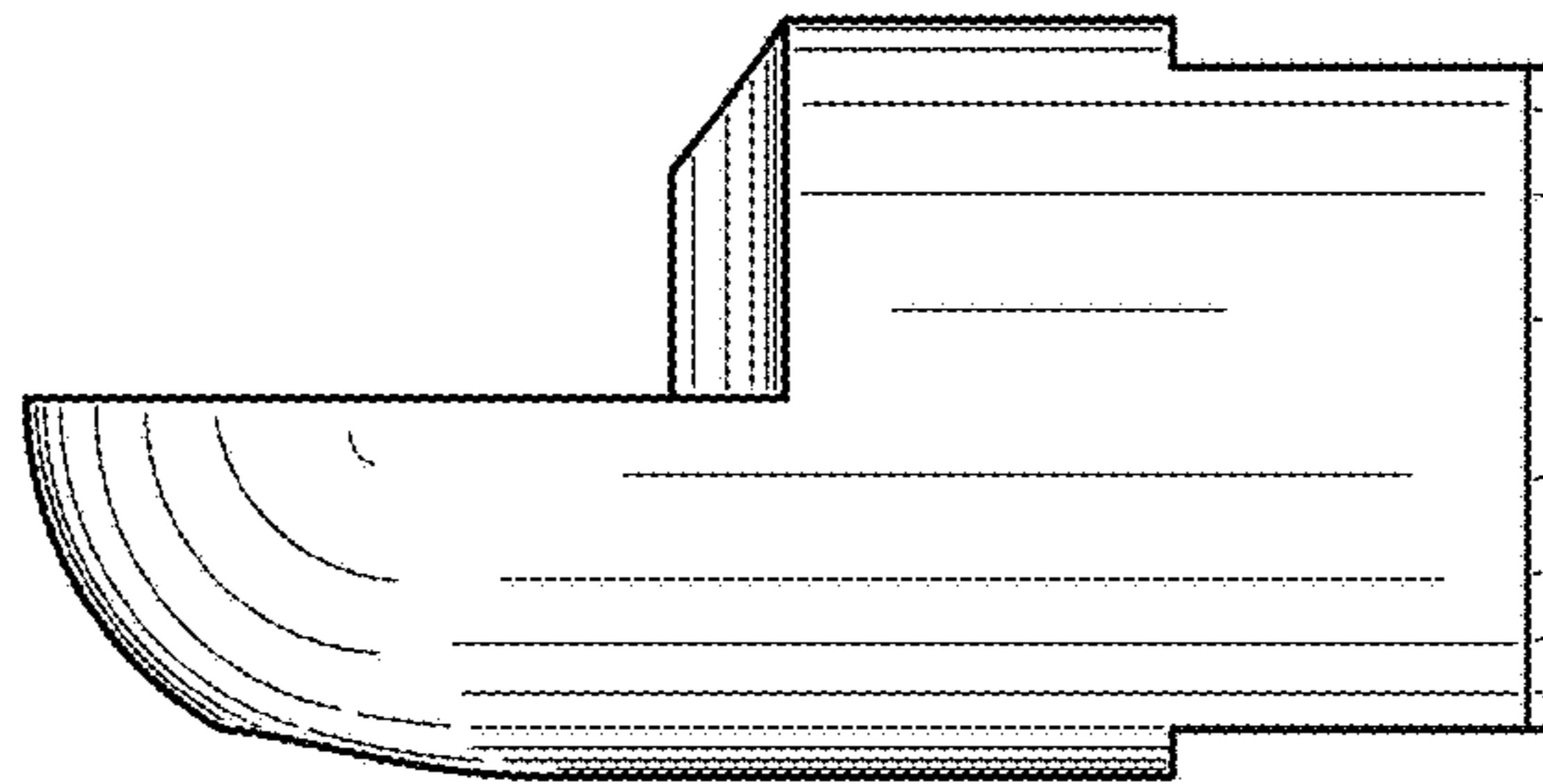


Fig. 20

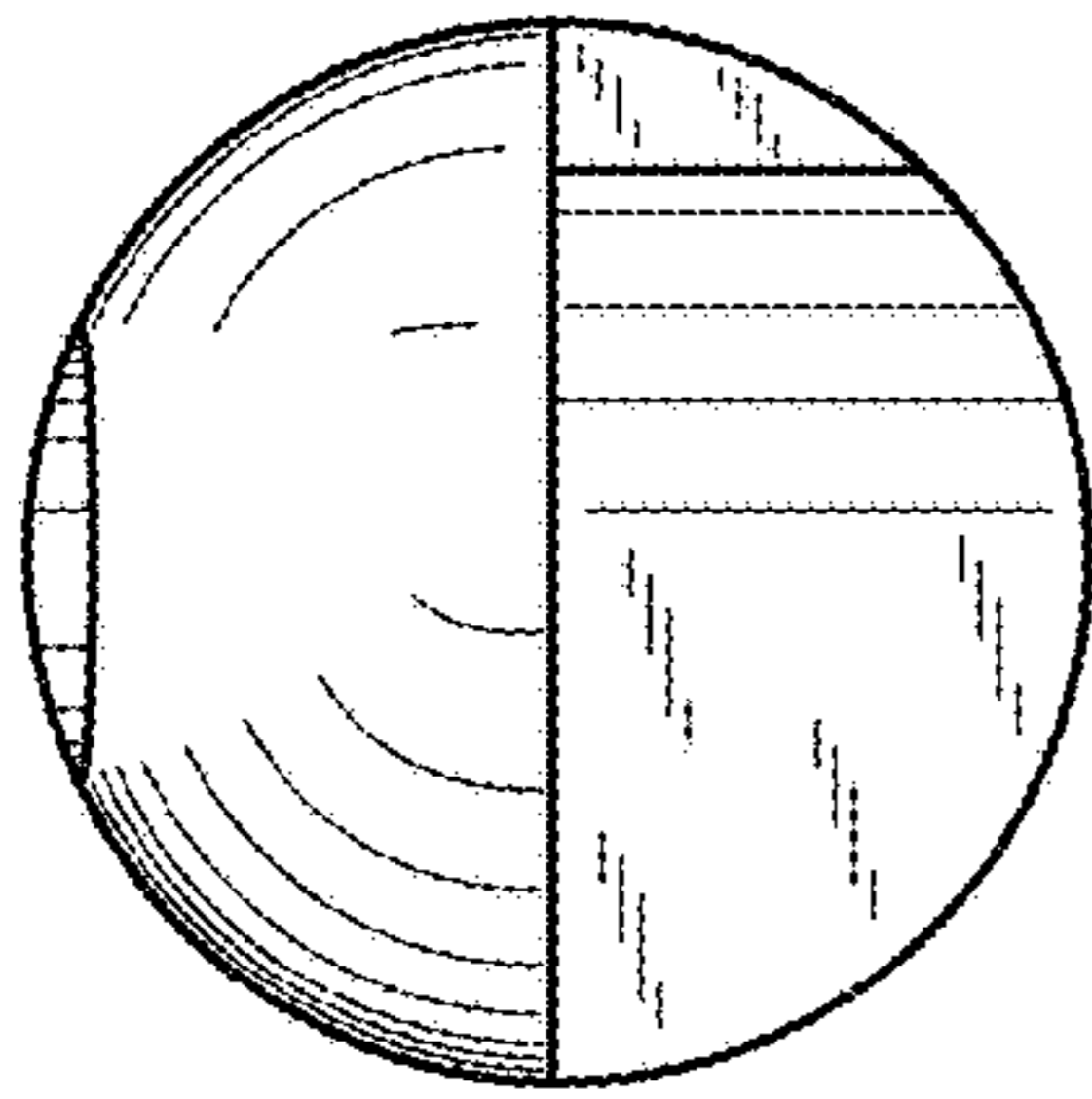


Fig. 17

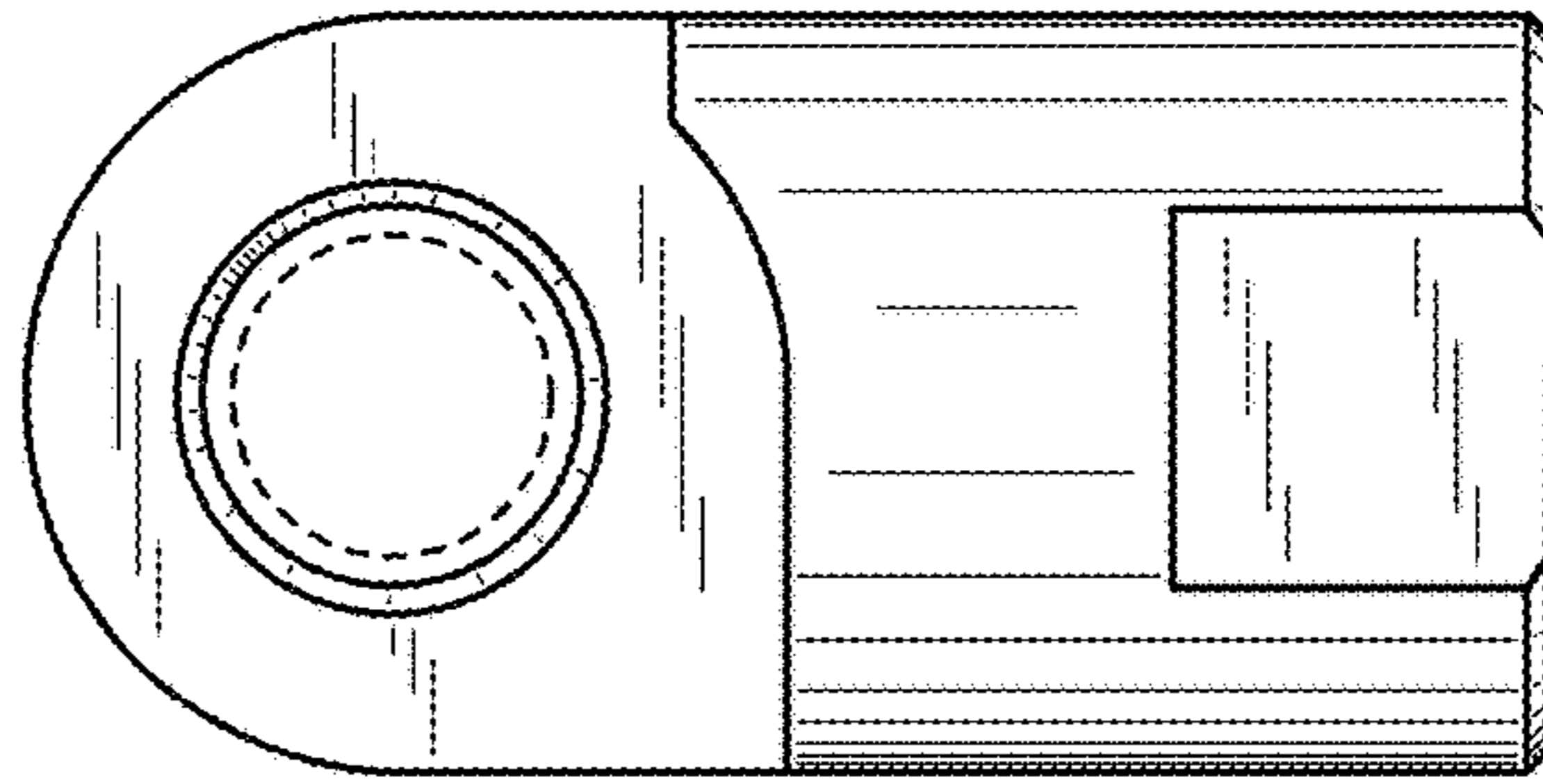


Fig. 21

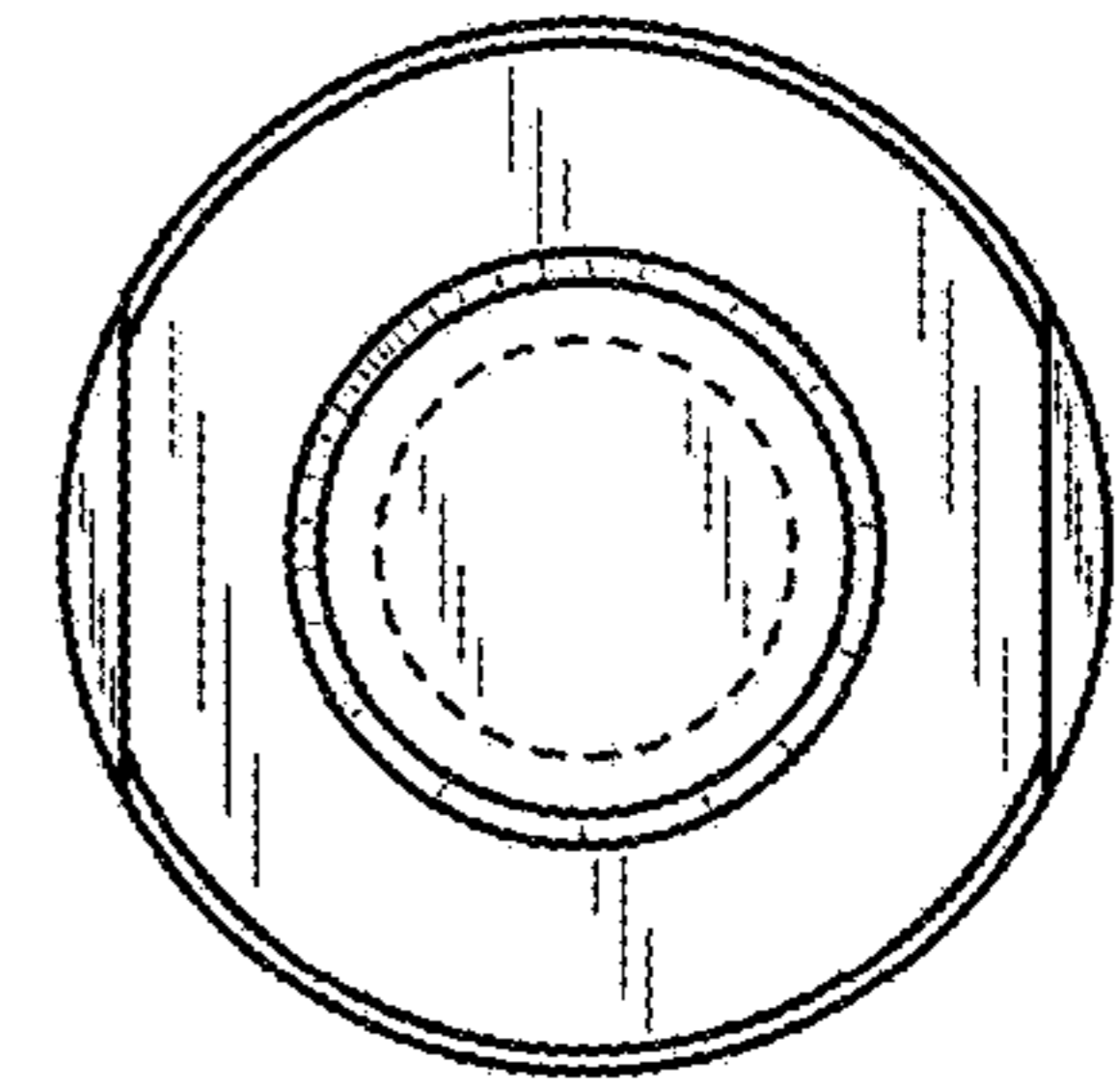


Fig. 18

Fig. 22

