



US00D782271S

(12) **United States Design Patent** (10) **Patent No.:** **US D782,271 S**
Harrington (45) **Date of Patent:** **** Mar. 28, 2017**

(54) **TOOL HANDLE**
(71) Applicant: **Unger Marketing International, LLC**,
Bridgeport, CT (US)
(72) Inventor: **William Harrington**, Charlestown, RI
(US)
(73) Assignee: **Unger Marketing International, LLC**,
Bridgeport, CT (US)

1,500,132 A 7/1924 Hummelgard
1,603,914 A 10/1926 Hermann
1,584,021 A 5/1928 Melvin
(Continued)

FOREIGN PATENT DOCUMENTS

DE 3520187 12/1986
GB 2085789 5/1982
WO 0006347 2/2000

OTHER PUBLICATIONS

Written Opinion of the International Searching Authority for corresponding PCT/US2015/068211 dated Feb. 26, 2016.

(Continued)

Primary Examiner — Phillip S Hyder

(74) *Attorney, Agent, or Firm* — Ohlandt, Greeley,
Ruggiero & Perle, L.L.P.

(**) Term: **14 Years**
(21) Appl. No.: **29/525,464**
(22) Filed: **Apr. 29, 2015**
(51) **LOC (10) Cl.** **08-06**
(52) **U.S. Cl.**
USPC **D8/107**
(58) **Field of Classification Search**
USPC D8/14, 51, 107, 300, 88, 89; D32/40, 41,
D32/42, 46, 48, 49, 50, 51
CPC ... B25G 1/04; B25G 1/06; B25G 3/00; B25G
3/38; B25G 1/063
See application file for complete search history.

(57) **CLAIM**

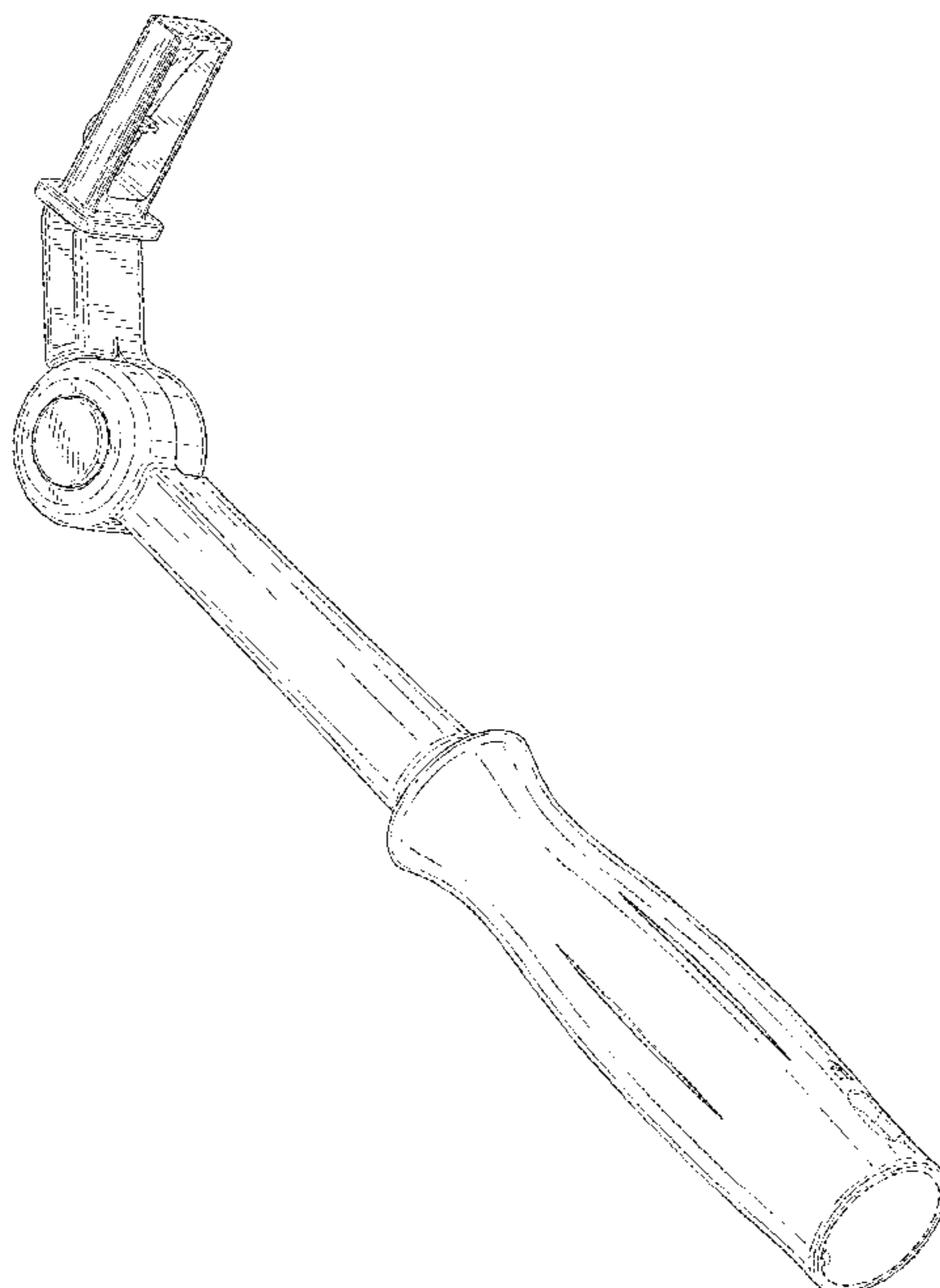
The ornamental design for a tool handle, as shown and described.

DESCRIPTION

FIG. 1 is a front perspective view of a tool handle;
FIG. 2 is a first side view of the tool handle of FIG. 1;
FIG. 3 is a second, opposite view of the tool handle of FIG. 1;
FIG. 4 is a front view of the tool handle of FIG. 1;
FIG. 5 is a back view of the tool handle of FIG. 1;
FIG. 6 is a top view of the tool handle of FIG. 1; and,
FIG. 7 is a bottom view of the tool handle of FIG. 1.
The broken lines depict portions of the tool handle in which the design is embodied that are not considered part of the claimed design.

(56) **References Cited**
U.S. PATENT DOCUMENTS
656,468 A 8/1900 Mullin
693,518 A 2/1902 Hamilton
731,338 A 6/1903 Cattelle
736,741 A 8/1903 Klemm
952,746 A 3/1910 Lane
1,068,683 A 7/1913 Malek
1,315,901 A 9/1919 Ballinger
1,353,490 A 9/1920 Pantalek
1,452,893 A 4/1923 Porth
1,463,745 A 7/1923 Layne

1 Claim, 7 Drawing Sheets



(56)

References Cited

U.S. PATENT DOCUMENTS

1,864,011 A	6/1932	Brown	5,386,632 A	2/1995	Schmidt	
2,032,664 A	3/1936	Raptis	5,400,509 A	3/1995	Collins	
2,119,045 A	5/1938	Deitrich	RE34,979 E	6/1995	Gringer	
2,145,985 A	2/1939	Krajicek	5,426,855 A	6/1995	Keklak	
2,245,096 A	6/1941	Penney	5,433,004 A	7/1995	Thompson	
2,276,026 A	3/1942	Davidson	5,435,064 A	7/1995	Brookfield	
2,286,190 A	6/1942	Abrahamsen	5,445,981 A	8/1995	Lee	
2,336,284 A	12/1943	Nelson	D364,252 S	11/1995	Henke	
2,376,887 A	5/1945	Lewis	5,471,698 A	12/1995	Francis	
2,730,800 A	1/1956	Bailey	5,481,804 A	1/1996	Platts	
2,783,537 A	3/1957	Gringer	5,495,673 A	3/1996	Gardiner	
2,846,764 A	8/1958	Hyneman	5,528,832 A	6/1996	Schmidt	
2,862,296 A	12/1958	Anderson	5,528,834 A	6/1996	Seber	
2,948,961 A	8/1960	Ortner	5,545,175 A	8/1996	Abidin	
3,107,426 A	10/1963	Robinson	5,581,890 A	12/1996	Schmidt	
3,132,371 A	5/1964	Enos	5,581,893 A	12/1996	Ouellette	
3,162,947 A	12/1964	Gringer	5,613,300 A	3/1997	Schmidt	
3,192,624 A	7/1965	Gringer	5,621,973 A	4/1997	Seber	
3,250,000 A	5/1966	Schumman	5,694,692 A	12/1997	Reinschreiber	
3,577,637 A	5/1971	Braginetz	5,769,094 A	6/1998	Jenkins	
3,667,122 A	6/1972	Black	5,806,189 A	9/1998	Bailey	
3,688,401 A	9/1972	Hartman	5,813,121 A	9/1998	Gringer	
3,781,988 A	1/1974	Jones	5,852,874 A	12/1998	Walker	
3,879,847 A	4/1975	Roll	5,871,204 A *	2/1999	Spirer	B25C 11/00 254/26 R
3,892,039 A	7/1975	Fisher	5,878,501 A	3/1999	Owens	
3,906,627 A	9/1975	Manning	5,890,290 A	4/1999	Davis	
D240,370 S	7/1976	Kuehl	D411,429 S	6/1999	Gringer	
D240,699 S	7/1976	Gerson	5,911,761 A	6/1999	Tilley	
4,005,525 A	2/1977	Gringer	5,956,788 A	9/1999	Henke	
4,086,698 A	5/1978	Sparks	D420,882 S	2/2000	Majolo	
4,091,537 A	5/1978	Stevenson	6,018,836 A	2/2000	Williams	
4,103,421 A	8/1978	Quenot	6,026,575 A	2/2000	Wonderley	
4,115,892 A	9/1978	Stickler	6,032,321 A *	3/2000	Shirey	B25G 1/02 15/144.1
4,139,939 A	2/1979	Crooks	6,035,536 A	3/2000	Dewberry	
4,200,977 A	5/1980	Kageyama	6,044,562 A	4/2000	Dillenbeck	
4,242,795 A	1/1981	Rollband	6,058,607 A	5/2000	Gringer	
D267,826 S	2/1983	Gringer	6,155,620 A *	12/2000	Armstrong	A01B 1/00 15/105
D274,952 S	7/1984	Gringer	6,161,290 A	12/2000	Takamasa	
D274,953 S	7/1984	Gringer	6,178,640 B1	1/2001	Votolato	
4,558,517 A	12/1985	Gringer	D437,764 S	2/2001	Zimmerman	
D282,881 S	3/1986	Gringer	6,189,222 B1 *	2/2001	Doyle	B26B 21/523 15/144.1
4,574,417 A	3/1986	Magnasco	D439,128 S	3/2001	Wass	
4,587,735 A	5/1986	Walters	6,219,878 B1	4/2001	Dewberry	
4,621,425 A	11/1986	Stoutenberg	6,219,923 B1	4/2001	Sinisi	
4,660,284 A	4/1987	Decarolis	6,263,577 B1	7/2001	Wonderley	
4,805,304 A	2/1989	Knoop	6,286,215 B1	9/2001	Panaccione	
4,817,284 A	4/1989	Sacherman	6,317,986 B1	11/2001	Huang	
4,835,865 A	6/1989	Knoop	D453,251 S	1/2002	Gringer	
4,922,569 A	5/1990	Brinker	6,334,254 B1	1/2002	Wonderley	
D313,507 S	1/1991	Sawyer	6,349,473 B1	2/2002	Schmidt	
4,987,682 A	1/1991	Minnick	6,352,888 B1	3/2002	Kim	
D314,696 S	2/1991	Lucrelli	6,354,007 B1	3/2002	Scarla	
5,012,581 A	5/1991	Fletcher	6,415,514 B1	7/2002	Chun	
5,022,156 A	6/1991	Kallens	6,438,849 B1	8/2002	Wonderley	
5,025,558 A	6/1991	Gilbert	D463,639 S	9/2002	Panfili	
5,031,322 A	7/1991	Jacoff	6,453,559 B1	9/2002	Marshall	
D319,147 S	8/1991	Eberle	D467,395 S	12/2002	McCool	
D319,378 S	8/1991	Wilcox	6,487,778 B1	12/2002	Gringer	
5,036,591 A	8/1991	Cousins	D468,989 S	1/2003	Gringer	
5,056,226 A	10/1991	Gringer	6,519,801 B1	2/2003	Chao	
5,099,539 A	3/1992	Forester	6,530,098 B1	3/2003	Gringer	
D326,546 S	5/1992	Gringer	6,568,087 B1	5/2003	Gringer	
5,110,230 A	5/1992	Cole	6,578,229 B1	6/2003	Dziallas	
5,121,544 A	6/1992	Gilbert	6,578,266 B2	6/2003	Chomiak	
5,141,517 A	8/1992	Shutt	D478,493 S	8/2003	Martone	
5,164,871 A	11/1992	Hughes	D479,374 S	9/2003	Gringer	
5,175,902 A	1/1993	Samuelsson	D479,375 S	9/2003	Gringer	
D332,901 S	2/1993	Campbell	D480,288 S	10/2003	Delillo	
5,241,750 A	9/1993	Chomiak	6,643,936 B2	11/2003	Carlson	
5,265,969 A	11/1993	Chuang	6,688,003 B2	2/2004	Scarla	
5,289,637 A	3/1994	Coffey	D489,851 S	5/2004	Jones	
5,293,791 A	3/1994	Allen	6,732,395 B2	5/2004	Gringer	
D346,319 S	4/1994	Lavallee	6,742,951 B2	6/2004	Schultz	
5,299,355 A	4/1994	Boda	6,748,659 B1	6/2004	Street	
5,330,494 A	7/1994	van der Westhuizen	6,832,438 B1	12/2004	Gringer	

(56)

References Cited

U.S. PATENT DOCUMENTS

6,907,668 B2 6/2005 Polei
 6,915,577 B2 7/2005 Scala
 6,931,690 B2 8/2005 Cox
 6,964,100 B1 11/2005 Misland
 6,968,622 B2 11/2005 Ping
 6,990,705 B1 1/2006 Schouten
 D516,263 S 2/2006 Gringer
 7,000,282 B2 2/2006 Cox
 7,007,392 B2 3/2006 Ping
 7,032,941 B2 4/2006 Heneveld
 7,040,022 B2 5/2006 Ping
 7,055,204 B2 * 6/2006 Ajluni A47L 1/06
 15/121
 7,055,407 B2 6/2006 Gringer
 D531,003 S 10/2006 Collinds
 7,134,207 B2 11/2006 Ping
 7,155,770 B2 1/2007 Anderson
 D537,591 S 2/2007 Gringer
 D549,543 S 8/2007 Tsai
 7,293,317 B2 11/2007 Tsuchiya
 7,325,313 B2 2/2008 Gringer
 D564,161 S 3/2008 Talesfore
 7,346,988 B2 3/2008 Gringer
 7,350,998 B2 4/2008 Walsh
 7,380,341 B2 6/2008 Ping
 7,413,366 B2 8/2008 Bensussan
 7,415,769 B2 8/2008 Hughes
 D584,871 S 1/2009 Arvinte
 7,475,480 B2 1/2009 Votolato
 7,480,997 B2 1/2009 Ping
 7,496,948 B1 * 2/2009 Hamilton, II F16P 3/147
 340/539.1
 7,600,287 B1 10/2009 Moore
 7,617,559 B2 11/2009 Jiang
 D605,911 S 12/2009 Lian
 D606,375 S 12/2009 Divita
 7,694,422 B2 4/2010 Vaes
 D622,114 S 8/2010 Balliet
 7,797,835 B2 9/2010 Zeng
 7,802,340 B2 9/2010 Knopow
 7,814,664 B2 10/2010 LeBlanc
 7,891,898 B2 2/2011 Hoadley
 D634,599 S * 3/2011 Good D8/89
 D634,600 S 3/2011 Gringer
 7,913,349 B2 3/2011 Byrnes
 8,046,922 B2 11/2011 Eby
 8,171,646 B2 5/2012 Chiu

8,214,964 B1 7/2012 Coleman
 8,356,415 B2 1/2013 Lin
 8,438,688 B2 5/2013 Weinberger
 8,495,784 B2 7/2013 Steinhardt
 8,544,146 B2 10/2013 Curien
 8,550,437 B2 * 10/2013 Liou B25F 1/00
 254/115
 2002/0078518 A1 6/2002 Jiang
 2002/0124412 A1 9/2002 Votolato
 2002/0124418 A1 9/2002 Votolato
 2003/0110570 A1 6/2003 Gringer
 2003/0110641 A1 6/2003 Gringer
 2004/0045167 A1 3/2004 Gringer
 2004/0142647 A1 7/2004 Goulet
 2004/0226125 A1 * 11/2004 Cox A47L 1/06
 15/245
 2005/0097753 A1 5/2005 Gringer
 2005/0097756 A1 5/2005 Gringer
 2005/0193568 A1 9/2005 Peyrot
 2006/0080843 A1 4/2006 Gringer
 2006/0162106 A1 7/2006 Ross
 2006/0260084 A1 11/2006 Guizzi
 2007/0169353 A1 7/2007 Wu
 2008/0052856 A1 3/2008 Lin
 2008/0083118 A1 4/2008 Steigerwalt
 2008/0163493 A1 7/2008 Votolato
 2008/0289190 A1 11/2008 Jennings
 2009/0199409 A1 8/2009 Zeng
 2009/0313836 A1 12/2009 Wei
 2010/0162509 A1 7/2010 Liao
 2010/0162573 A1 7/2010 Liao
 2010/0186181 A1 * 7/2010 Tawara A47L 13/38
 15/144.4
 2010/0263214 A1 10/2010 Robinson
 2010/0314593 A1 * 12/2010 Fan B66F 15/00
 254/25
 2011/0114118 A1 5/2011 Gracindo
 2011/0167647 A1 7/2011 Gringer
 2013/0174364 A1 7/2013 Cheng
 2013/0175486 A1 * 7/2013 Stawarski B25G 1/06
 254/129
 2013/0185943 A1 7/2013 Landwehr
 2013/0239345 A1 9/2013 Giustetto

OTHER PUBLICATIONS

International Search Report of the International Searching Authority
 for corresponding PCT/US2015/068211 dated Feb. 26, 2016.

* cited by examiner

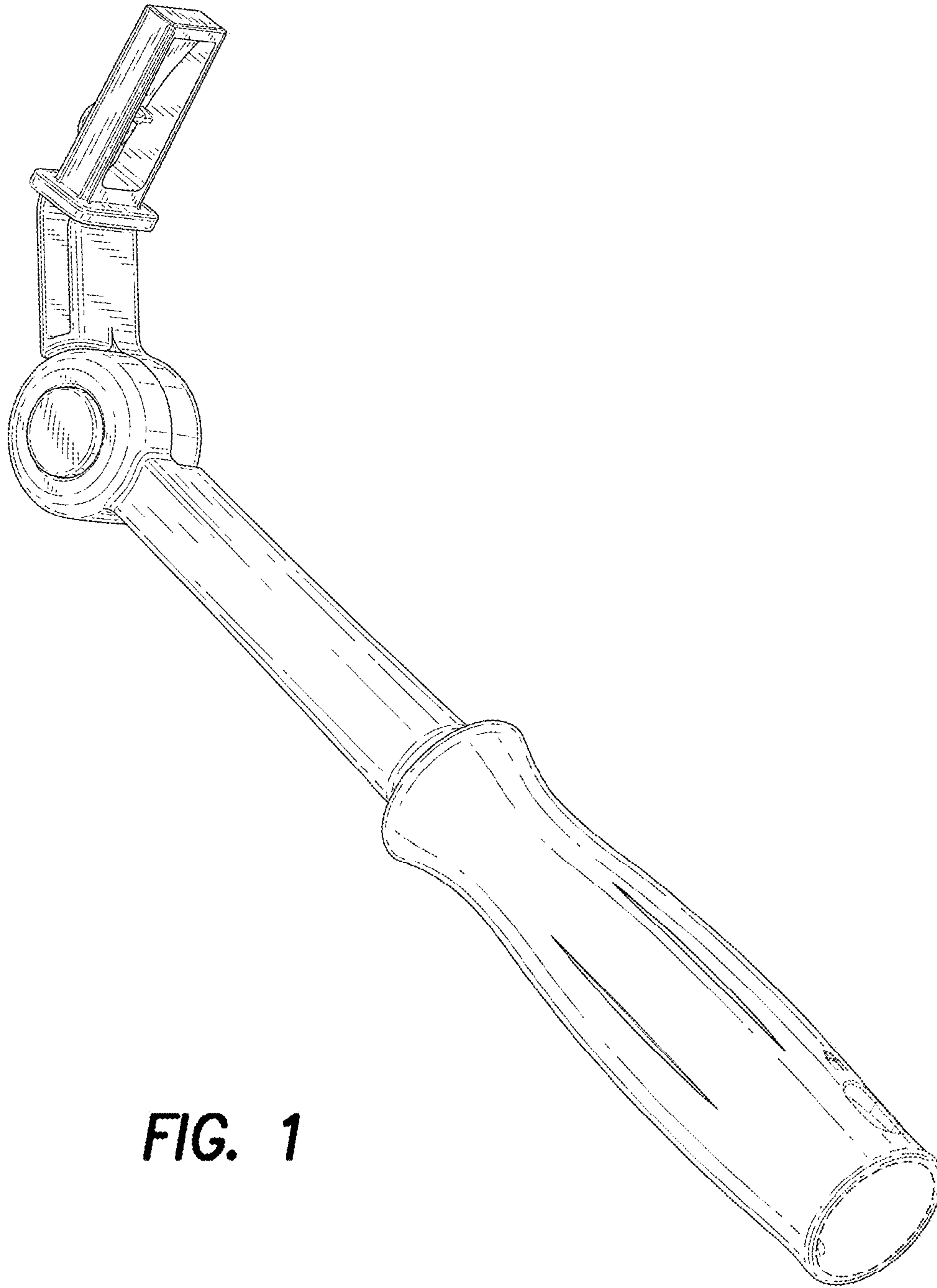


FIG. 1

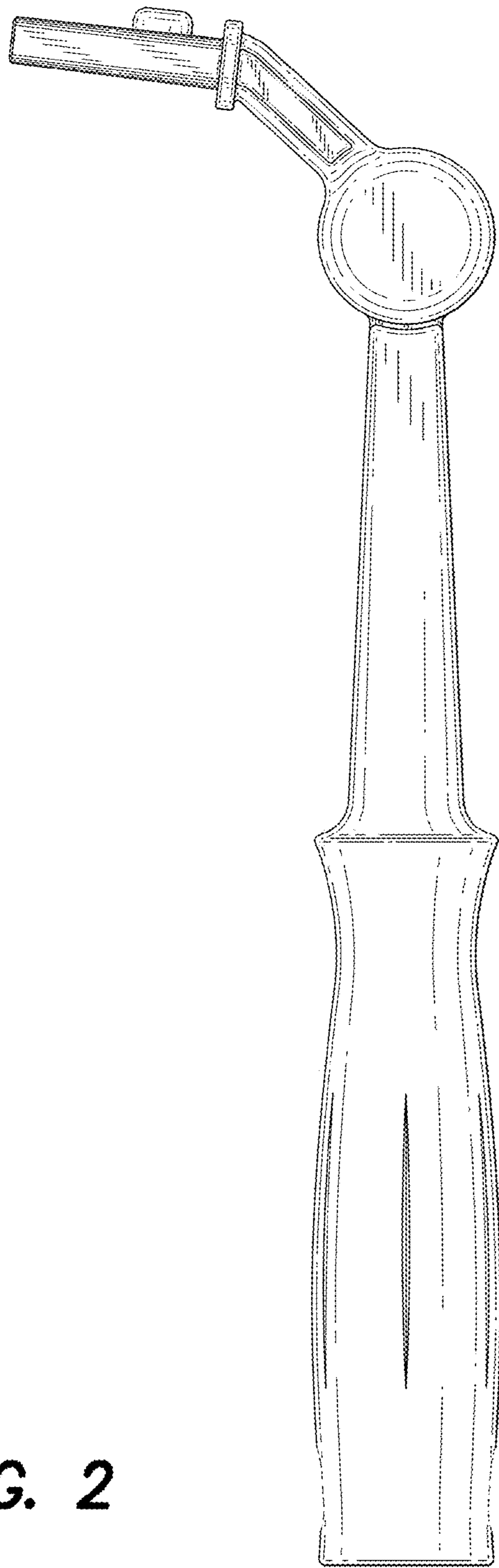


FIG. 2

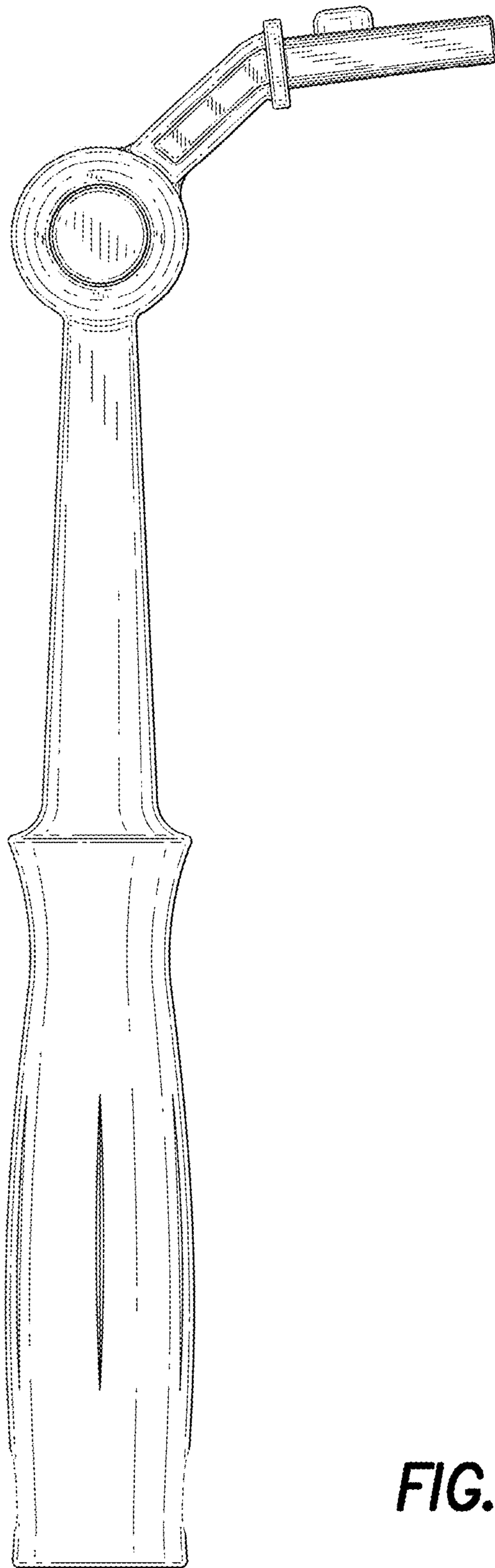


FIG. 3

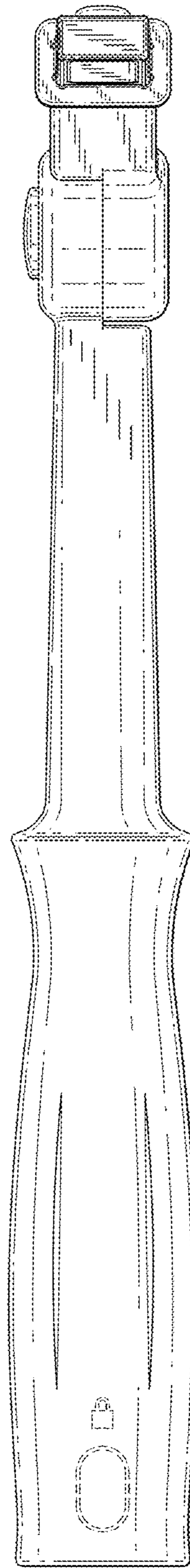


FIG. 4

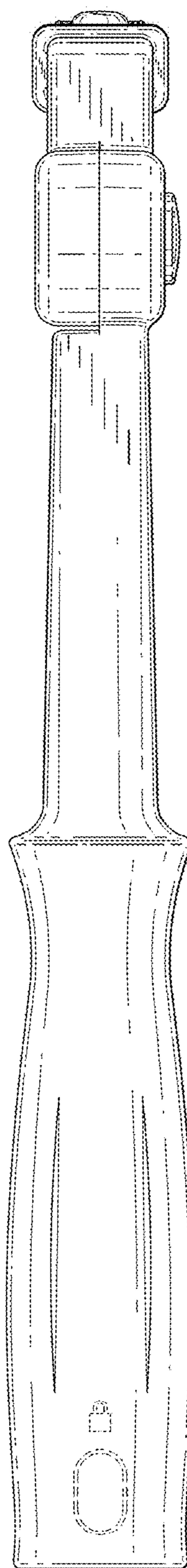


FIG. 5

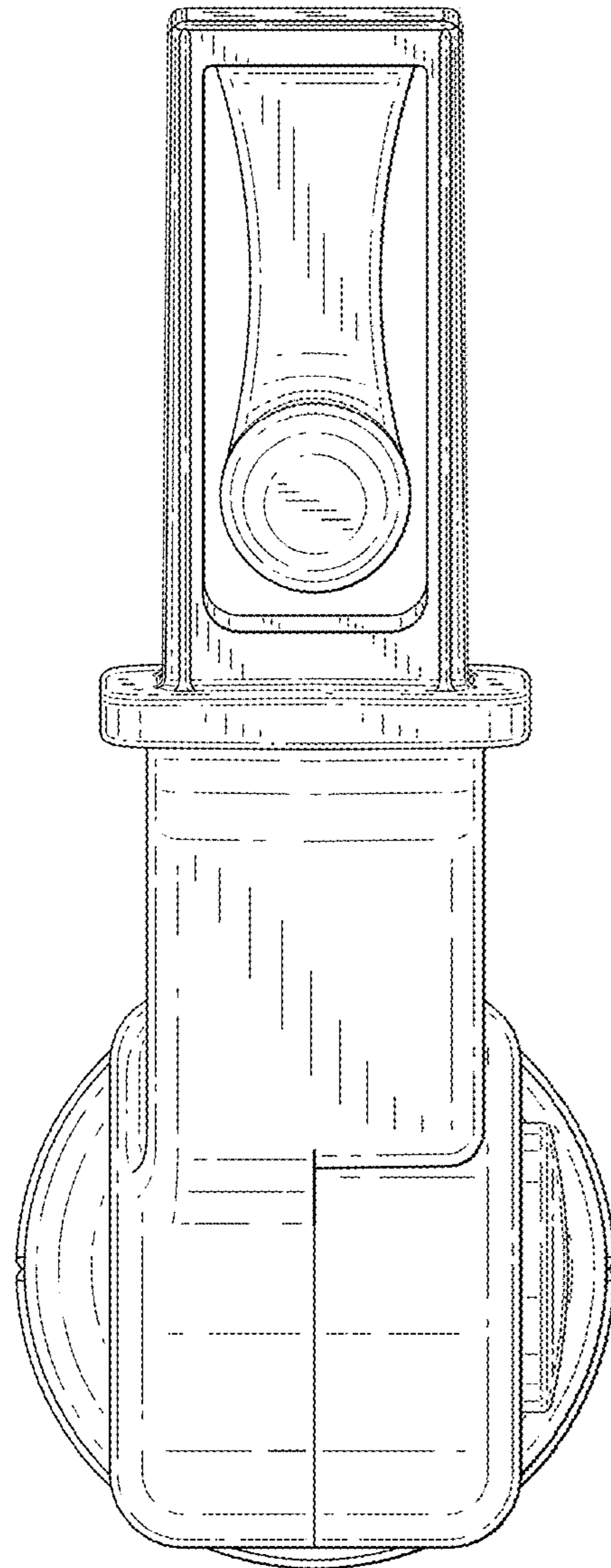


FIG. 6

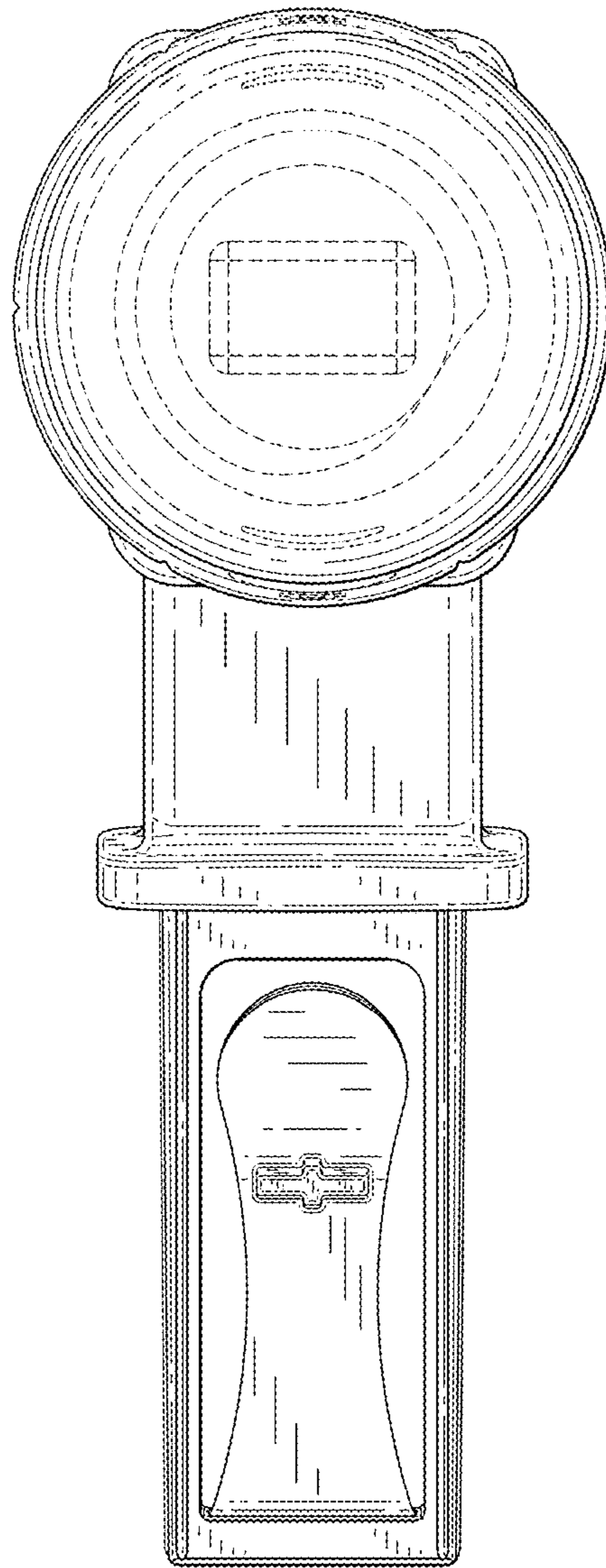


FIG. 7