



US00D782266S

(12) **United States Design Patent**
Gamble et al.

(10) **Patent No.:** **US D782,266 S**

(45) **Date of Patent:** **** Mar. 28, 2017**

(54) CLAMPING DEVICE	7,055,787 B2 * 6/2006 Cross B25B 5/003 248/226.11
(71) Applicant: Global Grain Handling Solutions Pty Ltd , Perth, Western Australia (AU)	D568,706 S * 5/2008 Weiby D8/72 D568,707 S * 5/2008 Weiby D8/72 D606,391 S * 12/2009 Hughes D8/394 D670,159 S * 11/2012 Bitarchas D8/394 D670,160 S * 11/2012 Bitarchas D8/394 8,453,978 B2 * 6/2013 Carsten H02G 3/26 248/49
(72) Inventors: Luke James Gamble , Perth (AU); Brett McMiles , Perth (AU)	D694,607 S * 12/2013 Lee D8/74 D730,164 S * 5/2015 Paulick D8/382 D757,531 S * 5/2016 Rusher D8/394 D769,706 S * 10/2016 Jankovec E04B 9/127 D8/394
(73) Assignee: Global Grain Handling Solutions Pty Ltd. , Perth, Western Australia (AU)	
(**) Term: 15 Years	

(21) Appl. No.: **29/552,951**

(22) Filed: **Jan. 27, 2016**

(51) **LOC (10) Cl.** **08-05**

(52) **U.S. Cl.**
USPC **D8/72**

(58) **Field of Classification Search**
USPC D8/71-74, 394-399, 59; 248/63, 72,
248/74.1, 689, 124.2; 81/487, 385, 386,
81/388-390; 269/3, 4, 6, 143, 165, 240,
269/243, 246-249, 254 R, 147-149;
29/256, 257, 276; 408/103, 104-109
CPC B25B 1/00; B25B 5/00
See application file for complete search history.

(56) **References Cited**

U.S. PATENT DOCUMENTS

4,850,115 A * 7/1989 Price H02G 3/125 269/254 R
D512,893 S * 12/2005 Cowan D8/70

* cited by examiner

Primary Examiner — David Muller

(74) *Attorney, Agent, or Firm* — Andrus Intellectual Property Law, LLP

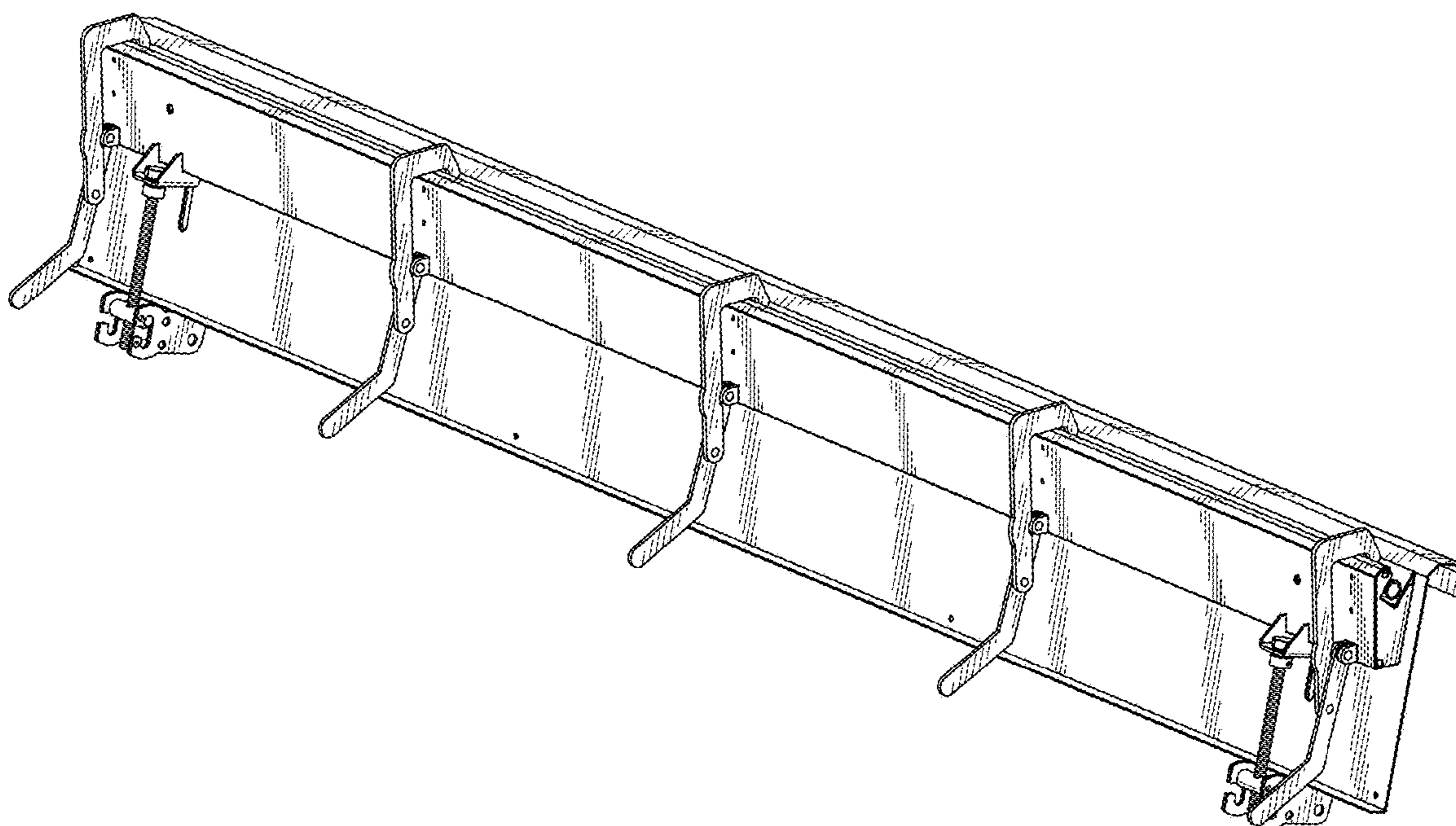
(57) **CLAIM**

The ornamental design for a clamping device, as shown and described.

DESCRIPTION

FIG. 1 is a perspective view of the clamping device; FIG. 2 is a front elevation view thereof; FIG. 3 is a rear elevation view thereof; FIG. 4 is a side elevation view thereof; FIG. 5 is an opposite side elevation view thereof; FIG. 6 is a top plan view thereof; and, FIG. 7 is a bottom plan view thereof.

1 Claim, 5 Drawing Sheets



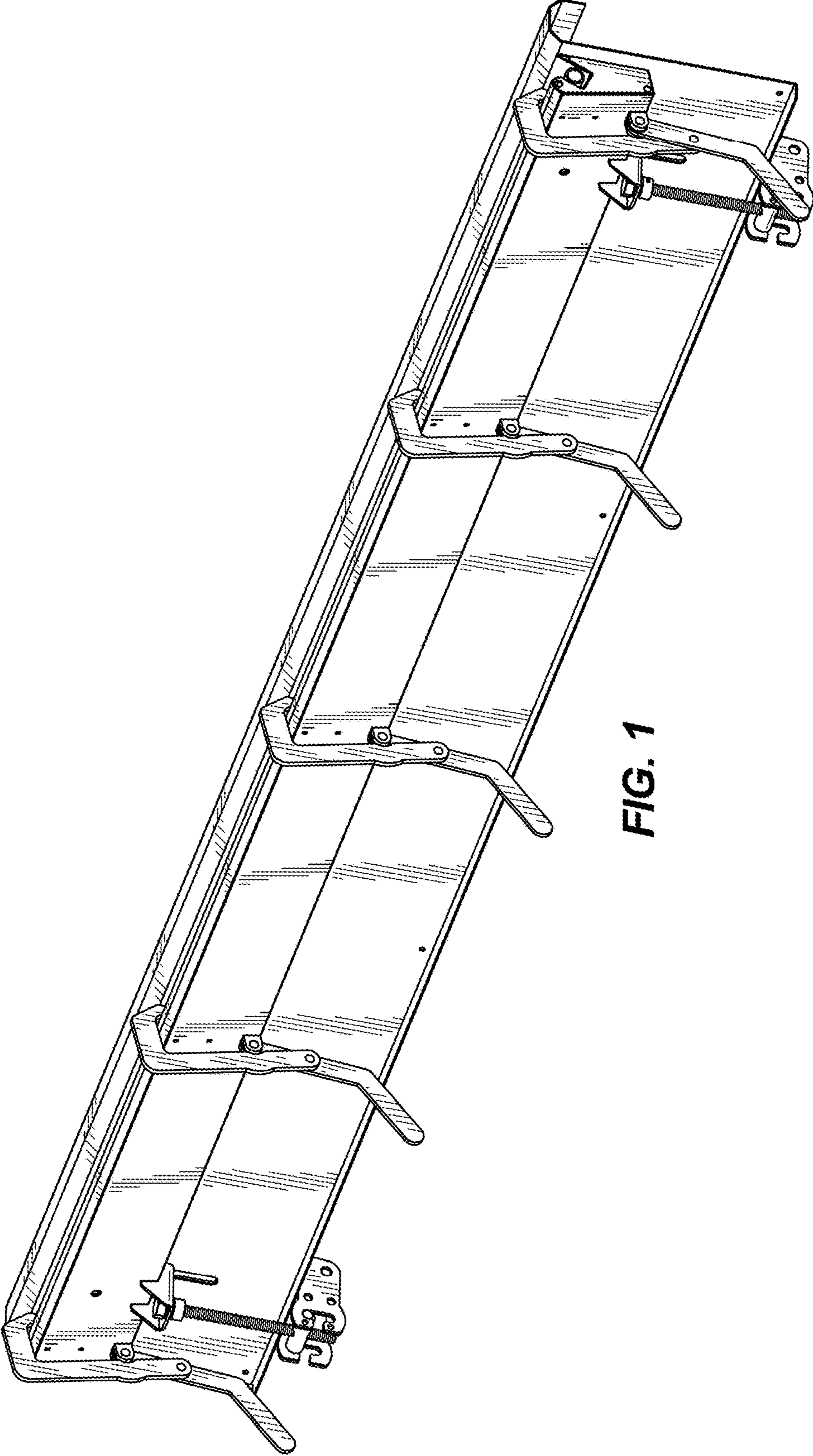


FIG. 1

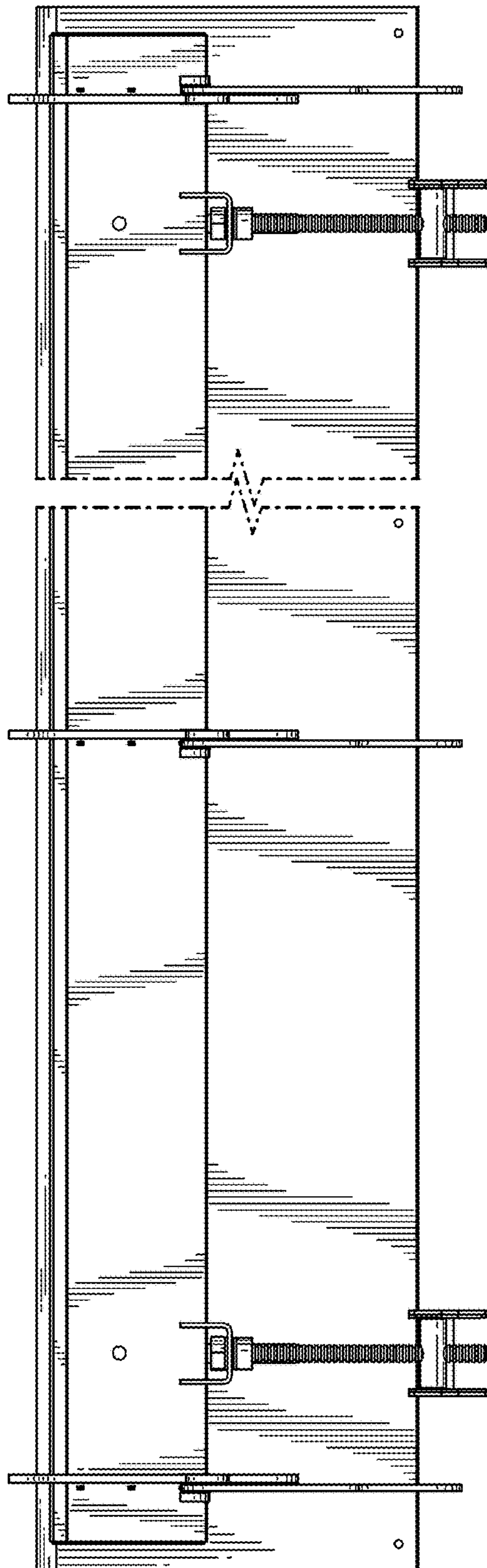


FIG. 2

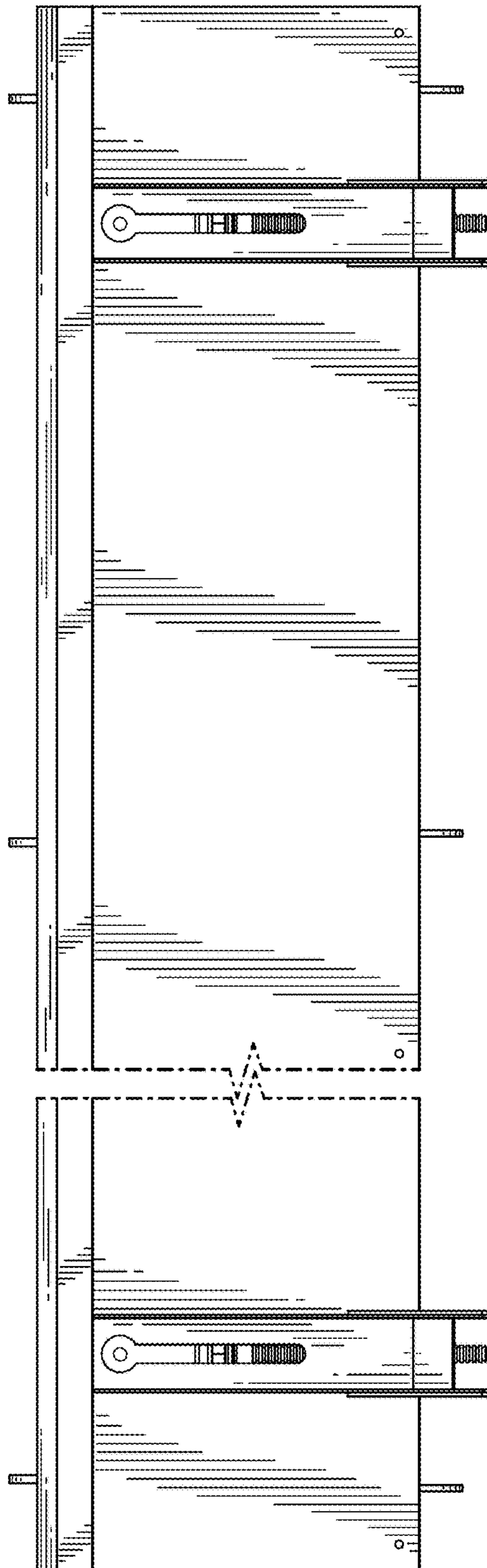


FIG. 3

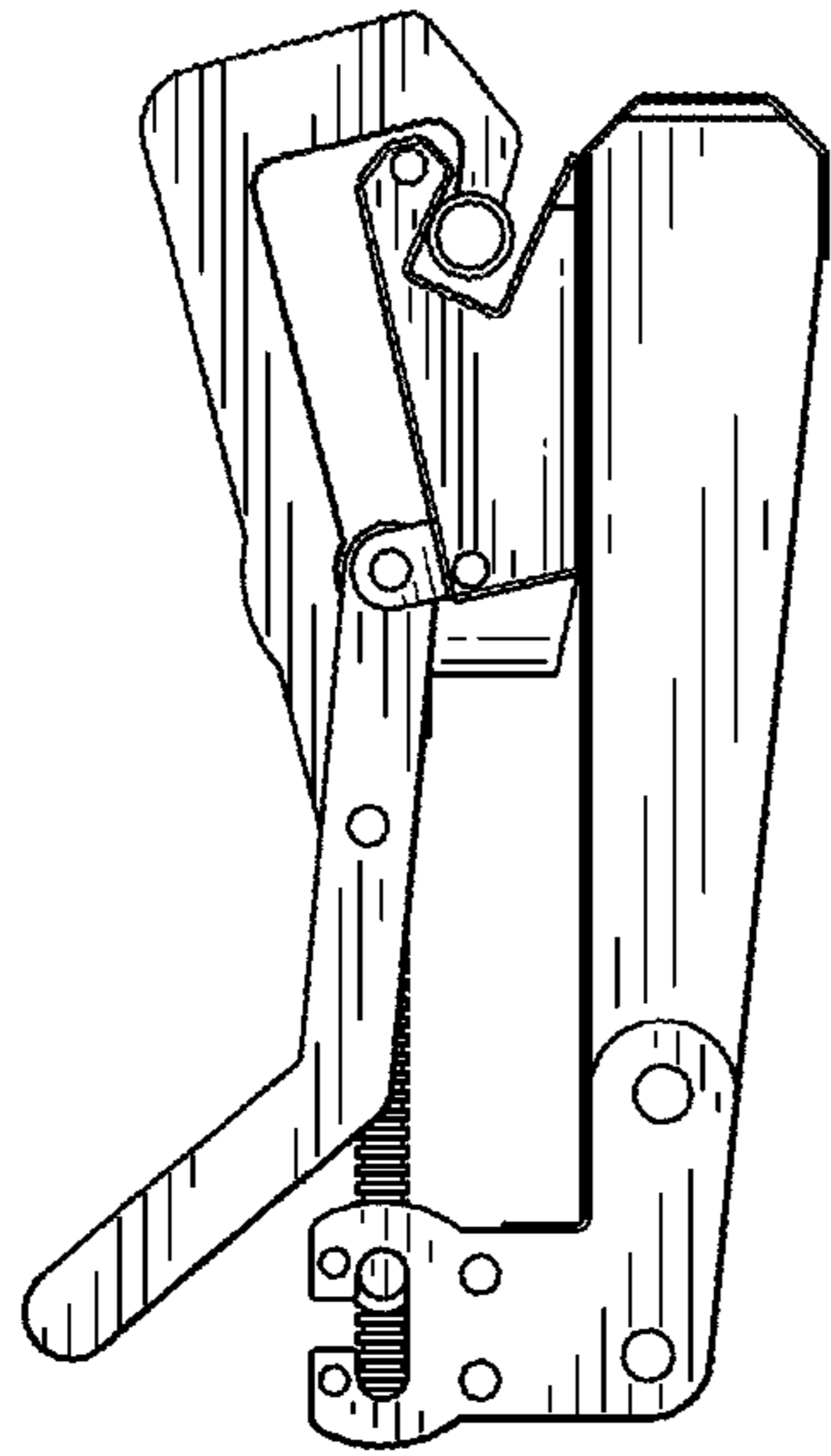


FIG. 4

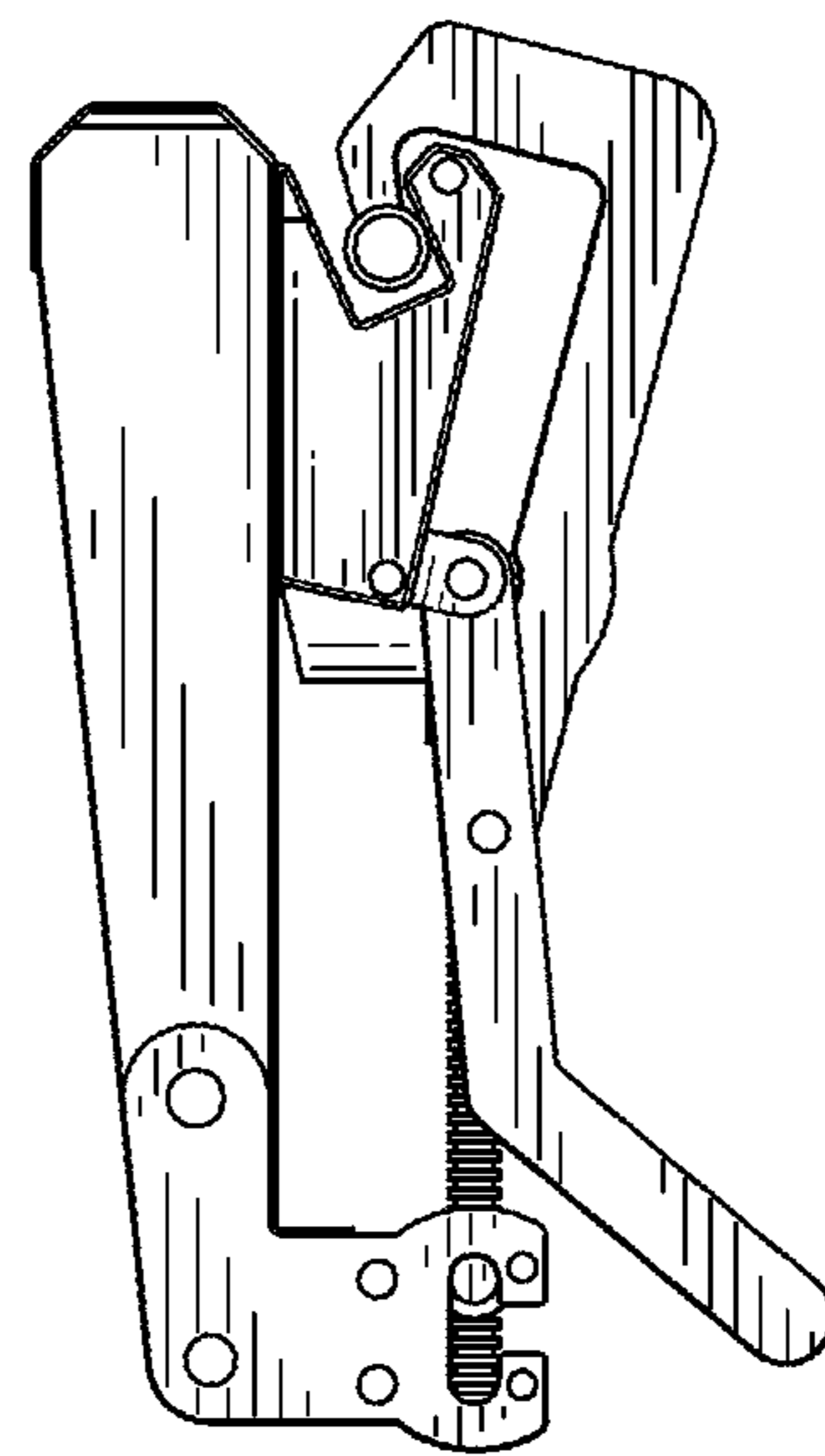


FIG. 5

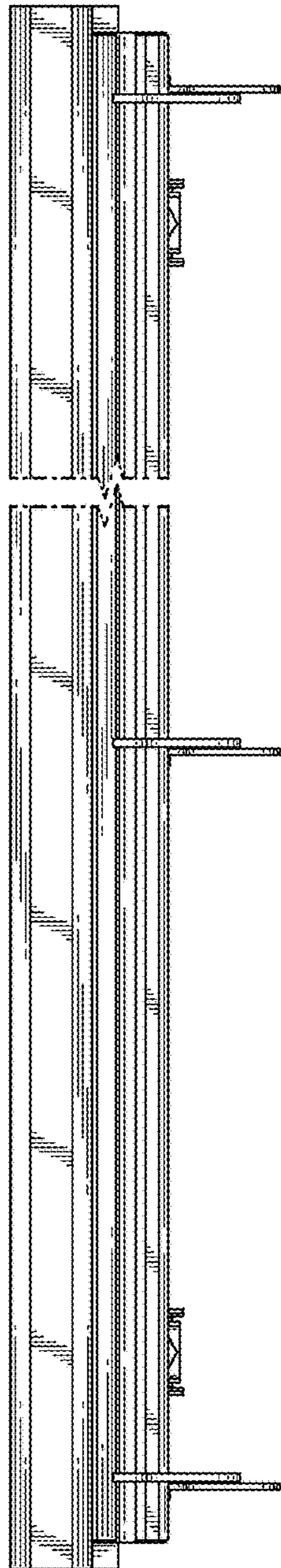


FIG. 6

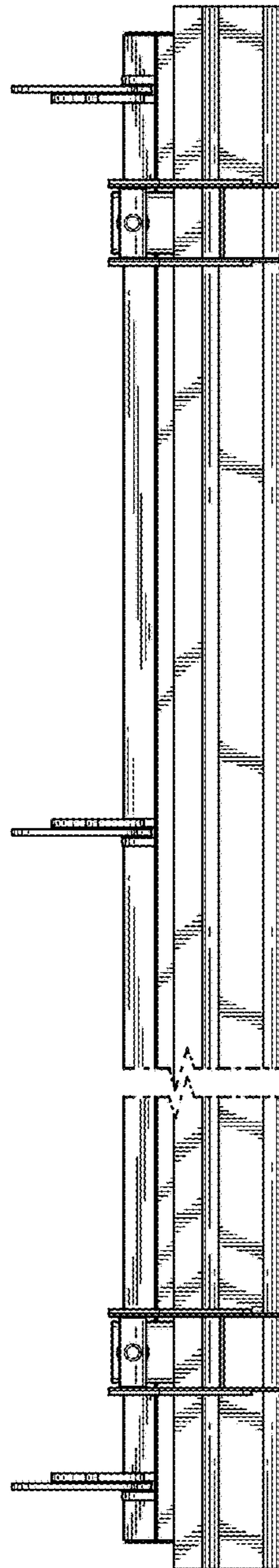


FIG. 7