



US00D782264S

(12) **United States Design Patent**
Erdman

(10) **Patent No.:** **US D782,264 S**
(45) **Date of Patent:** **** Mar. 28, 2017**

(54) **BOARD HANGING DEVICE**
(71) Applicant: **Daniel E. Erdman**, Dousman, WI (US)
(72) Inventor: **Daniel E. Erdman**, Dousman, WI (US)

2012/0204409 A1* 8/2012 Vandenberg B25B 21/002
29/468
2016/0052110 A1* 2/2016 Erdman B25B 27/00
29/464

(**) Term: **14 Years**

* cited by examiner

(21) Appl. No.: **29/499,755**

Primary Examiner — Mark Goodwin
(74) *Attorney, Agent, or Firm* — Monty Simmons;
Simmons Patents

(22) Filed: **Aug. 19, 2014**

(51) **LOC (10) Cl.** **08-05**

(52) **U.S. Cl.**
USPC **D8/68; D8/71**

(57) **CLAIM**

The ornamental design for a board hanging device, as shown and described.

(58) **Field of Classification Search**
USPC D8/354, 68, 71; 29/464, 271
CPC E04G 21/1841; B25B 11/00; B25B 27/00
See application file for complete search history.

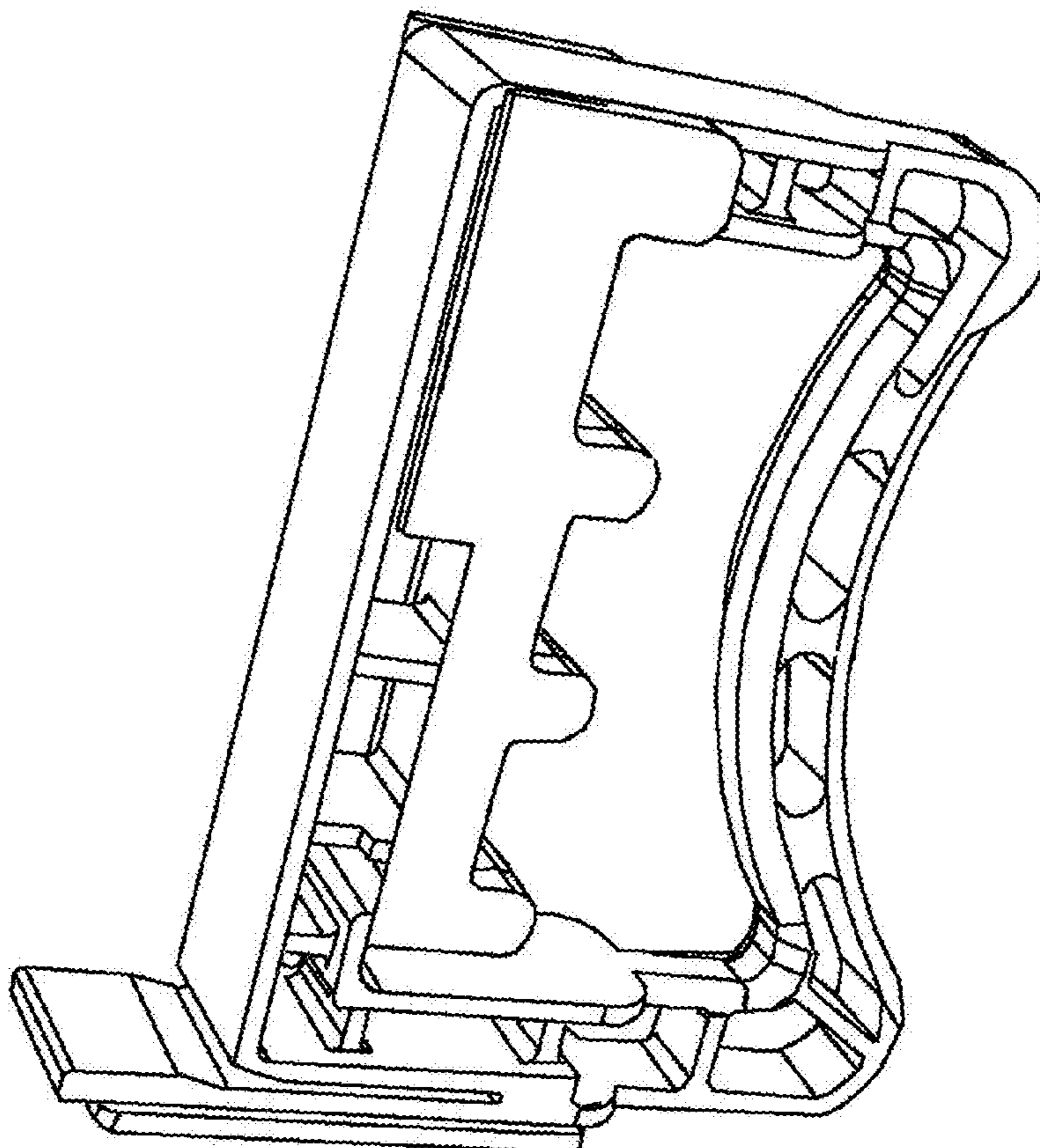
DESCRIPTION

FIG. 1 is a left side elevation view of a board hanging device showing my new design;
FIG. 2 is a right side elevation view thereof;
FIG. 3 is a front elevation view thereof;
FIG. 4 is a back elevation view thereof;
FIG. 5 is a top plan view thereof;
FIG. 6 is a bottom plan view thereof; and,
FIG. 7 is an elevated perspective view thereof.

(56) **References Cited**
U.S. PATENT DOCUMENTS

6,381,908 B1* 5/2002 Fisher E04G 21/1891
269/43
8,955,210 B2* 2/2015 Vandenberg B25B 21/002
173/1

1 Claim, 5 Drawing Sheets



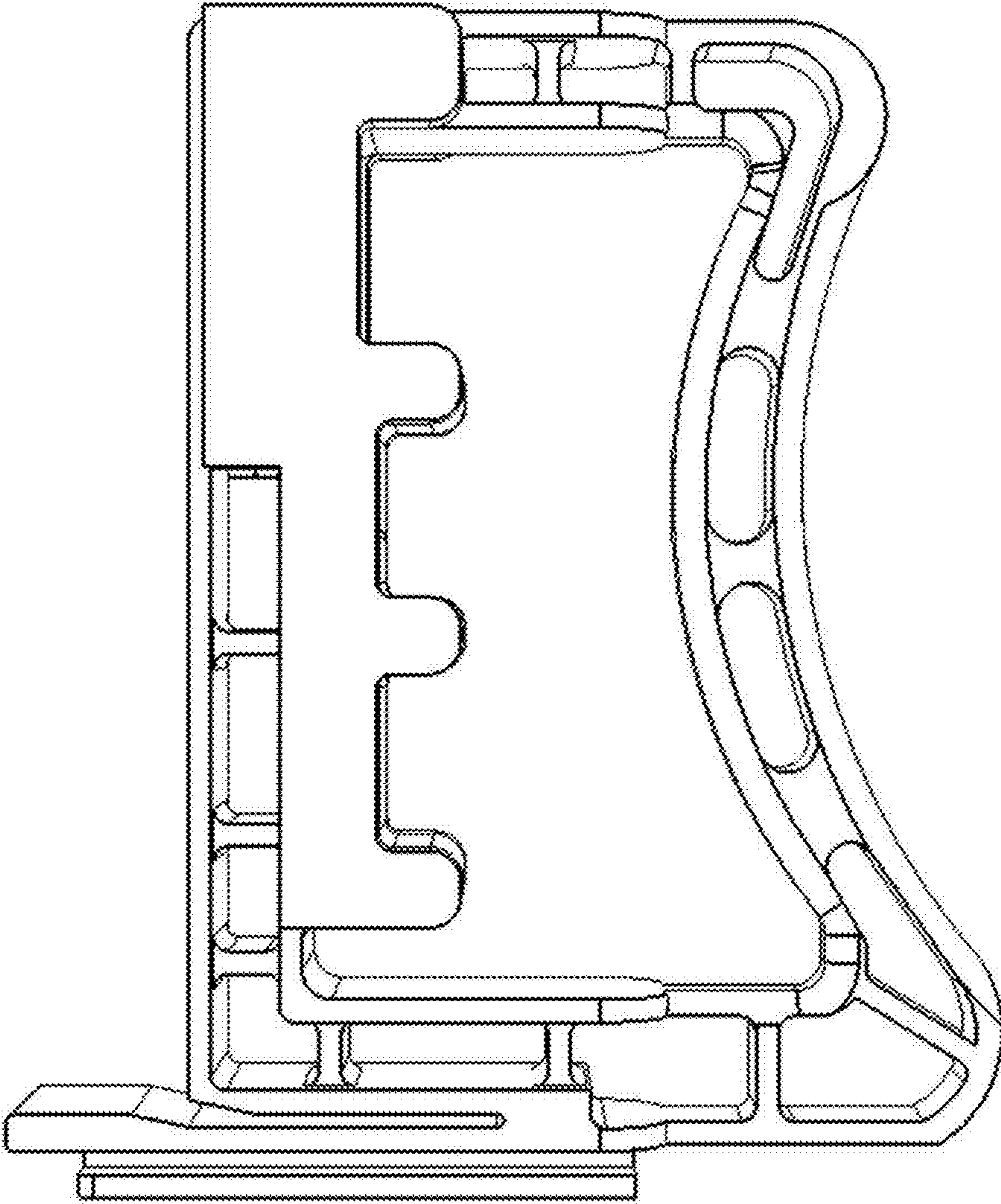


Fig. 1

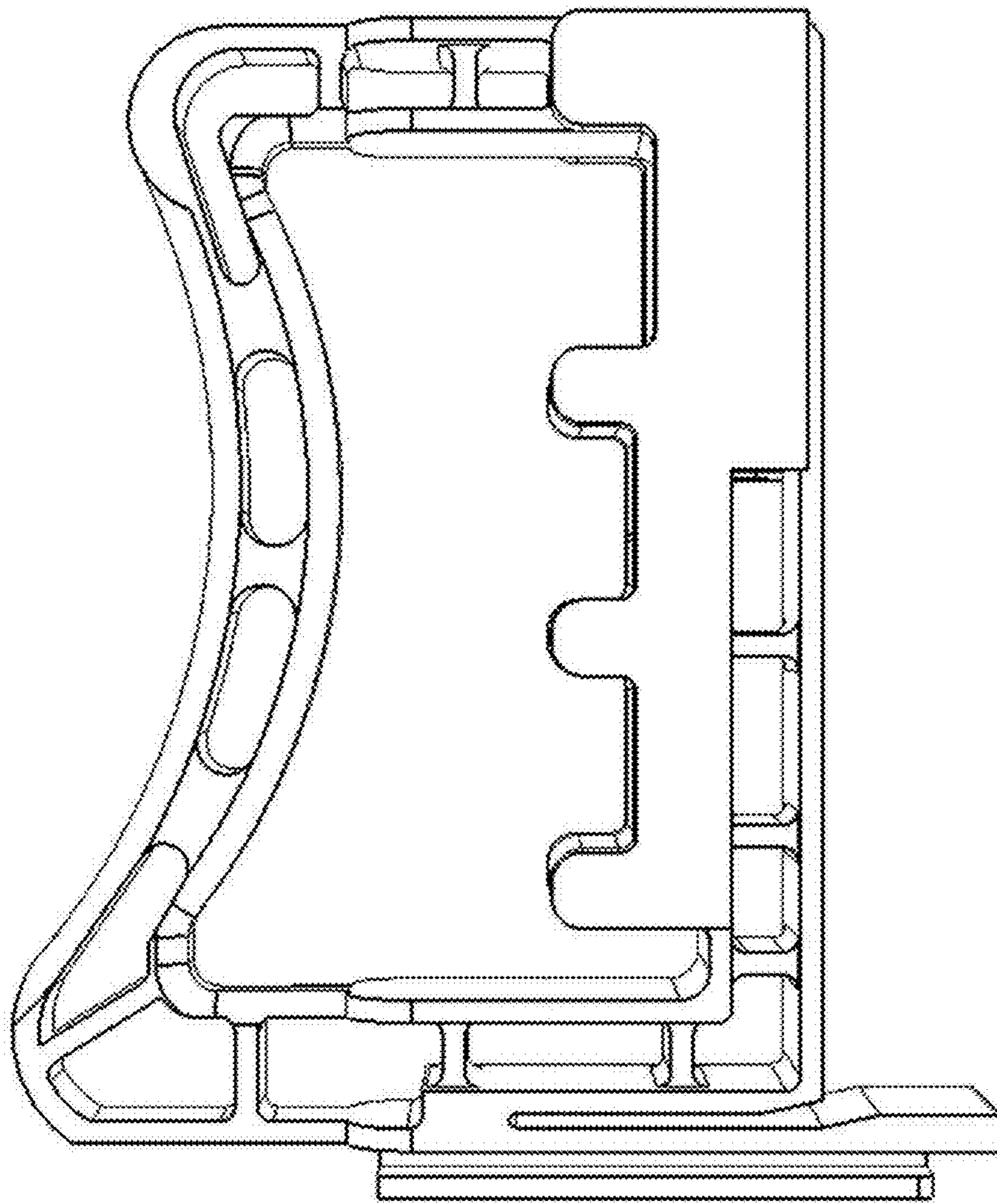


Fig. 2

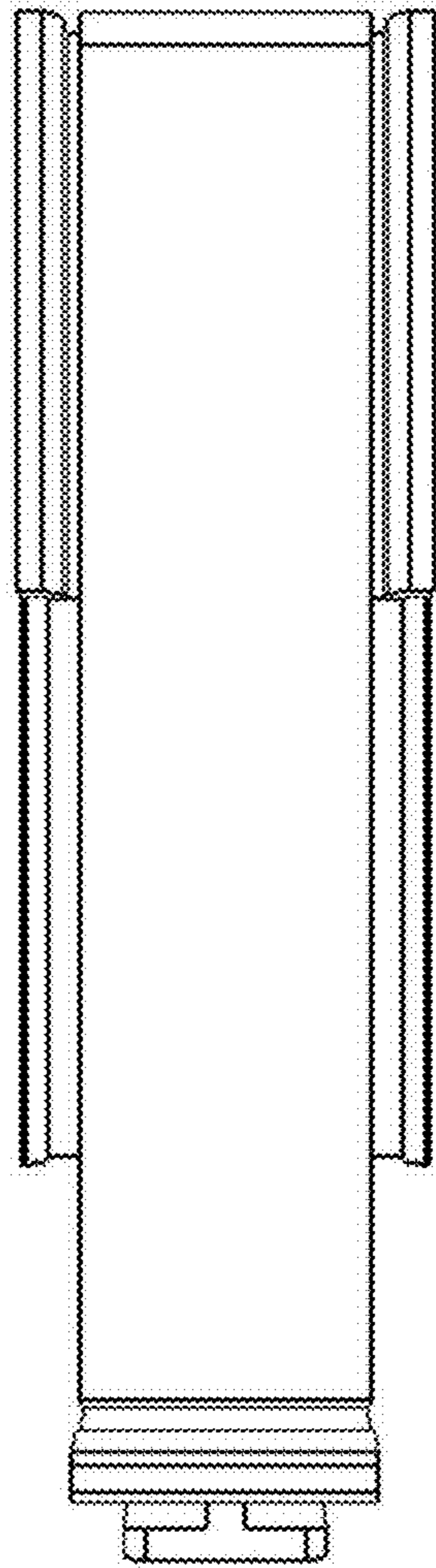


Fig. 3

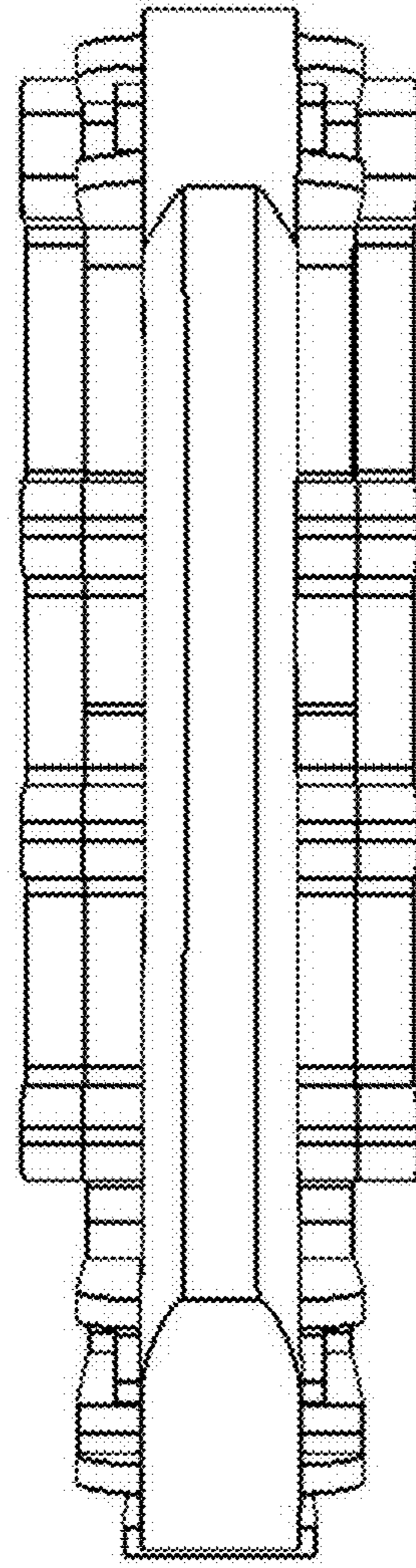


Fig. 4

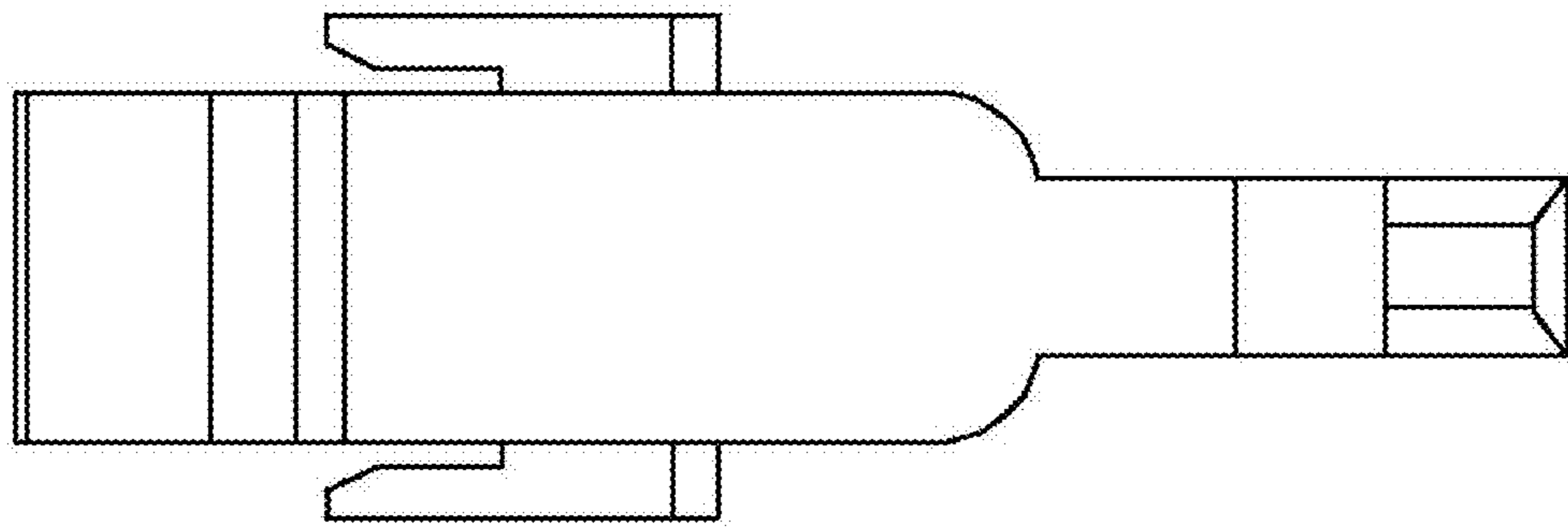


Fig. 5

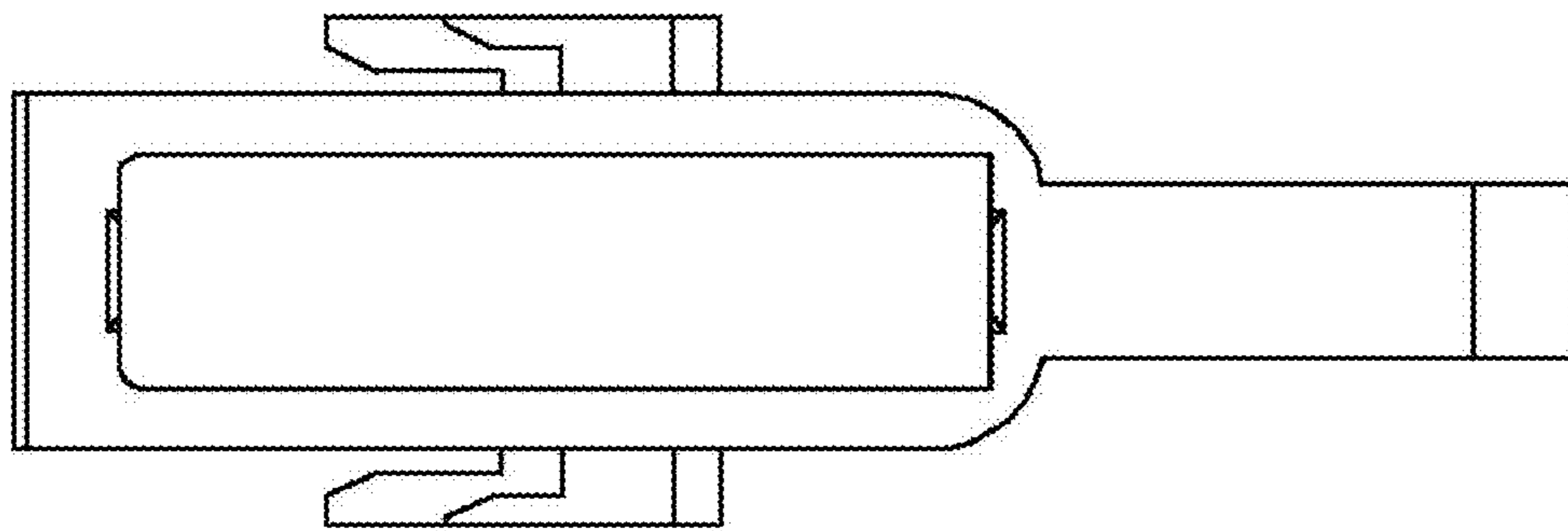


Fig. 6

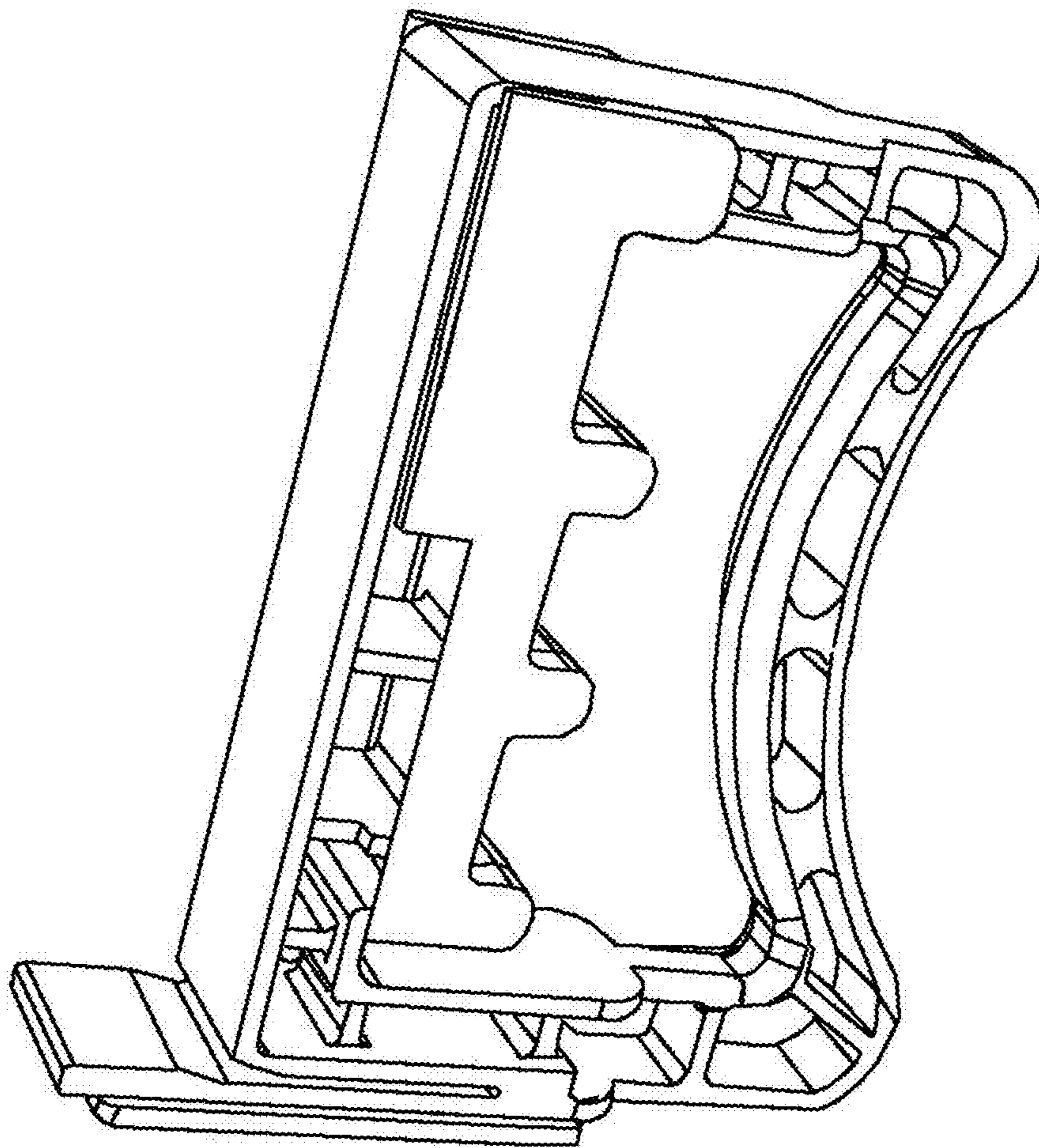


Fig. 7