



US00D782261S

(12) **United States Design Patent**
Guth

(10) **Patent No.:** **US D782,261 S**
(45) **Date of Patent:** **** Mar. 28, 2017**

- (54) **ARBOR FOR CUTTING BLADES**
- (71) Applicant: **JPL Global, LLC**, Moreno Valley, CA (US)
- (72) Inventor: **Paul W. Guth**, Menifee, CA (US)
- (73) Assignee: **JPL GLOBAL, LLC**, Moreno Valley, CA (US)
- (**) Term: **15 Years**
- (21) Appl. No.: **29/546,201**
- (22) Filed: **Nov. 19, 2015**
- (51) **LOC (10) Cl.** **08-03**
- (52) **U.S. Cl.**
USPC **D8/20**
- (58) **Field of Classification Search**
USPC D8/14, 16, 19, 20, 70, 98; D15/17, 129, D15/134, 138, 139
CPC B23D 61/003; B23D 61/02; B23D 61/12; B23D 61/121; B23D 61/123; B23D 61/126; B23D 61/128; B23D 49/14; D26B 5/001
See application file for complete search history.

- D417,598 S * 12/1999 Dibbern D8/70
- D427,042 S * 6/2000 Dibbern D8/70
- 6,723,101 B2 * 4/2004 Fletcher A61B 17/14 606/79
- D493,476 S * 7/2004 Apfel D15/139
- 6,796,888 B2 * 9/2004 Jasch B23B 31/008 451/342
- D508,060 S * 8/2005 Olsen D15/126
- D555,681 S * 11/2007 Popov D15/126
- D559,638 S * 1/2008 Park D15/139
- D638,863 S * 5/2011 Huh D15/126
- D651,062 S * 12/2011 Wackwitz D8/70
- 8,585,469 B2 * 11/2013 Grunikiewicz B23B 31/008 30/277.4
- D697,774 S * 1/2014 Bozic D8/70
- D697,778 S * 1/2014 Bozic D8/70
- D709,341 S * 7/2014 Nispel D8/20
- D734,649 S * 7/2015 Wackwitz D8/70
- D741,925 S * 10/2015 Flegel D15/139

(Continued)

Primary Examiner — Elizabeth Albert
(74) *Attorney, Agent, or Firm* — Loza & Loza, LLP; Daniel S. Castro

(57) **CLAIM**

The ornamental design for an arbor for cutting blades, as shown and described.

DESCRIPTION

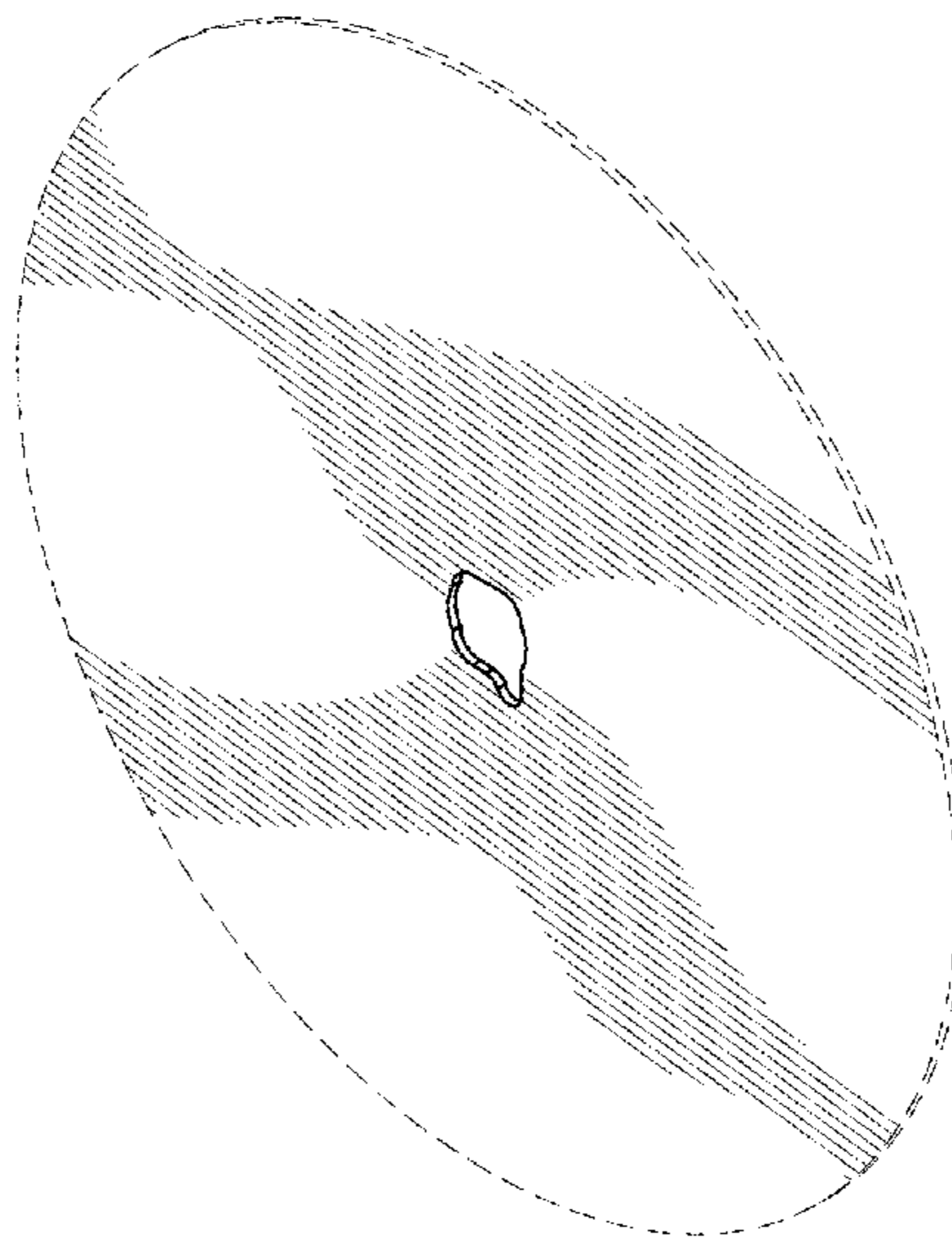
FIG. 1 is a top, right perspective view of an arbor for cutting blades of the present invention;
FIG. 2 is a top, left perspective view of the arbor for cutting blades of FIG. 1;
FIG. 3 is a first side elevation view of the arbor for cutting blades of FIG. 1;
FIG. 4 is a second side elevation view of the arbor for cutting blades of FIG. 1; and,
FIG. 5 is a top plan view of a cutting blade with the arbor for cutting blades of FIG. 1.

1 Claim, 2 Drawing Sheets

(56) **References Cited**

U.S. PATENT DOCUMENTS

- 2,795,247 A * 6/1957 Topolinski B23D 61/021 83/848
- 3,078,573 A * 2/1963 Kern A01D 34/73 30/347
- 4,461,296 A * 7/1984 Hodge A61B 17/14 30/347
- 4,730,952 A * 3/1988 Wiley B24B 45/006 30/388
- D342,883 S * 1/1994 Brandenburg, Jr. D8/70
- D348,273 S * 6/1994 Brandenburg, Jr. D15/139
- 5,373,834 A * 12/1994 Chiuminatta B23D 61/025 125/15



(56)

References Cited

U.S. PATENT DOCUMENTS

D746,655 S * 1/2016 Wackwitz D8/70

* cited by examiner

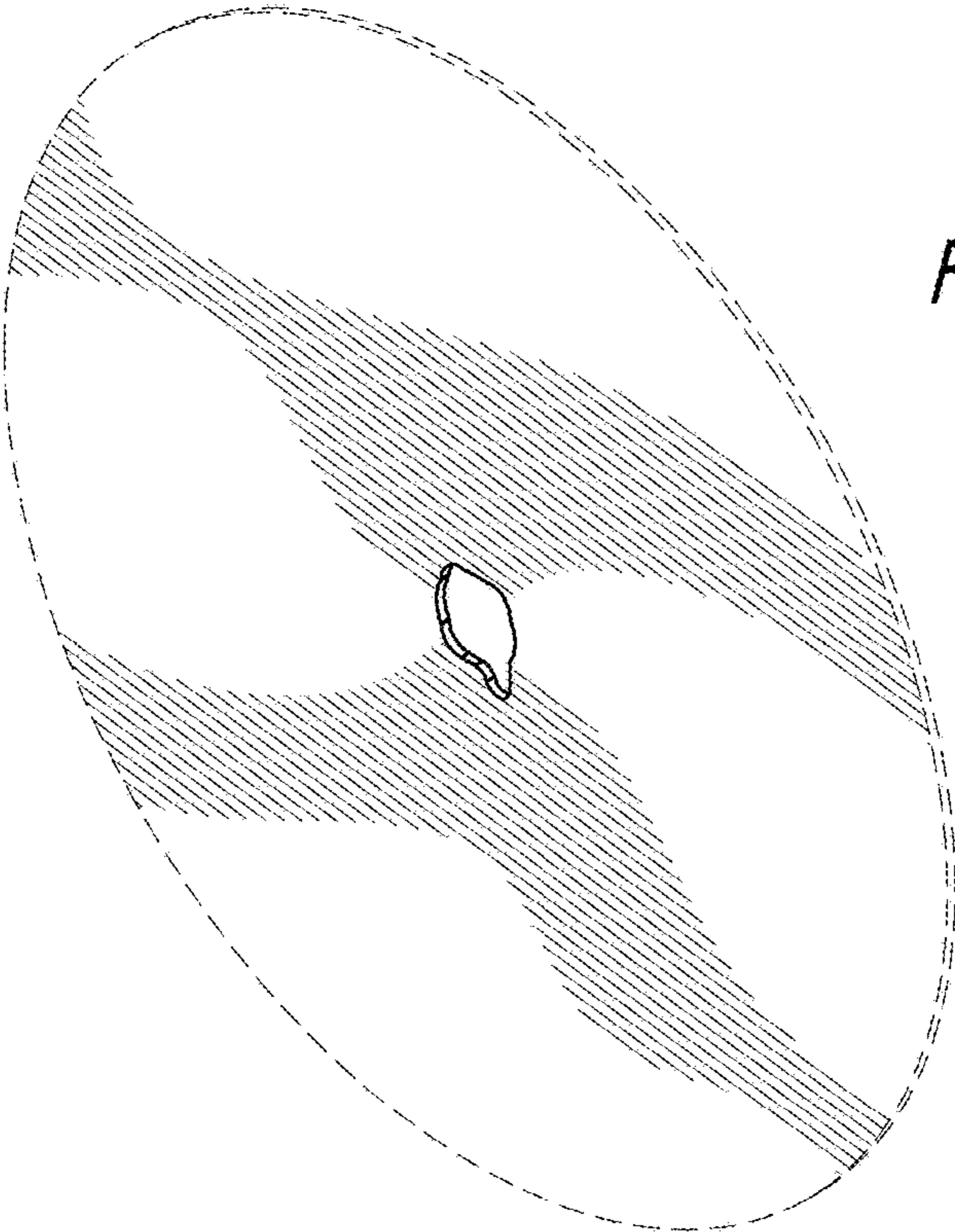


FIG. 1

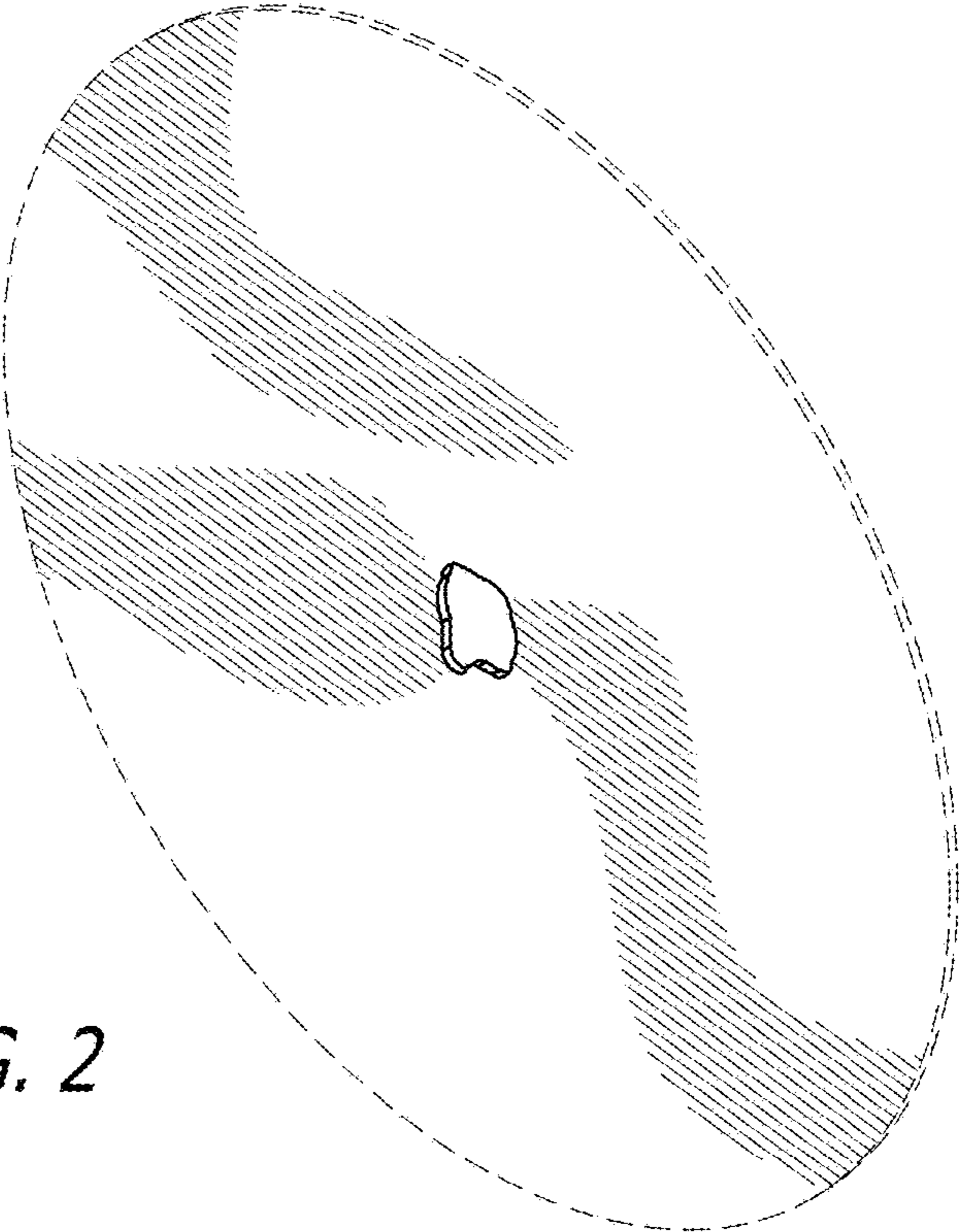


FIG. 2

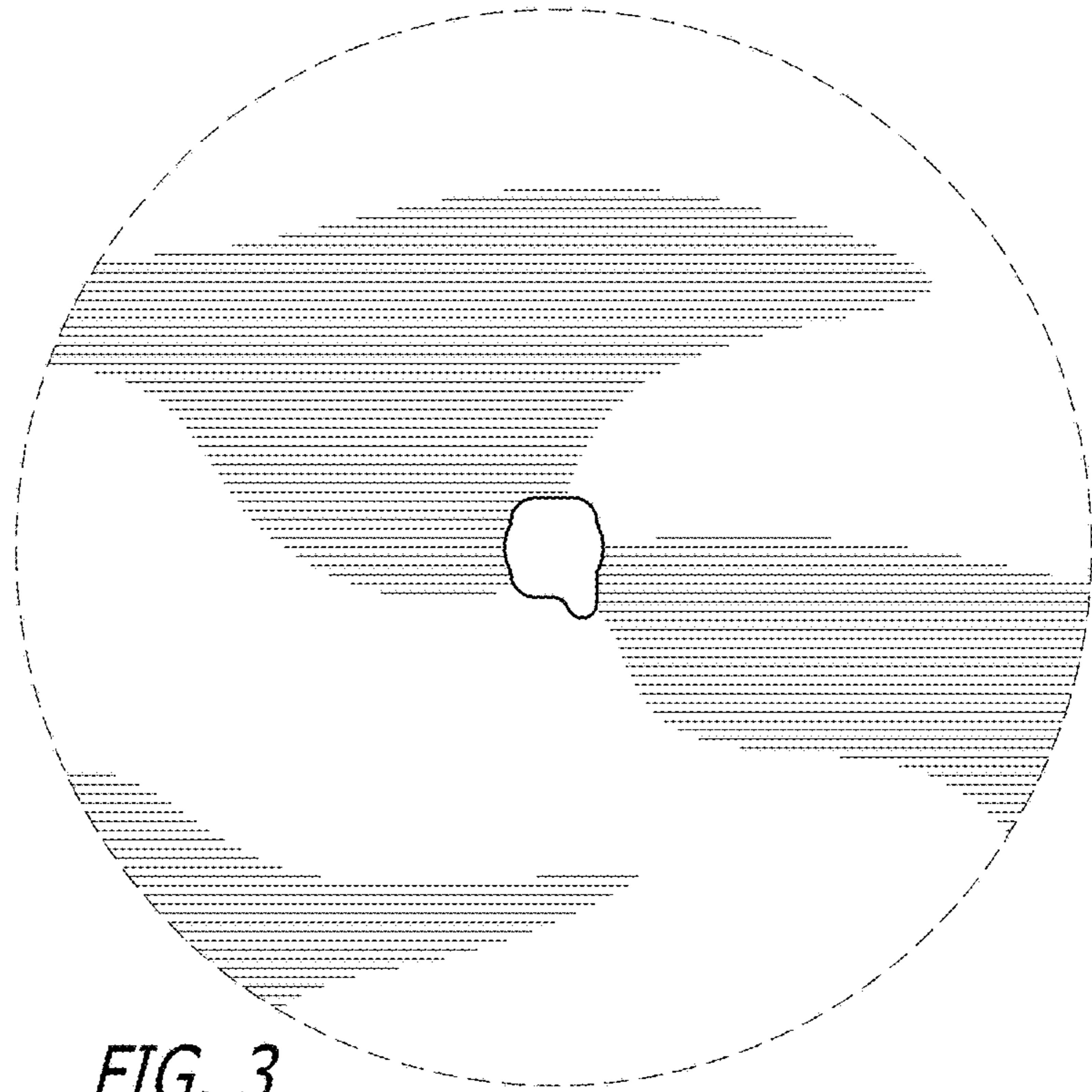


FIG. 3

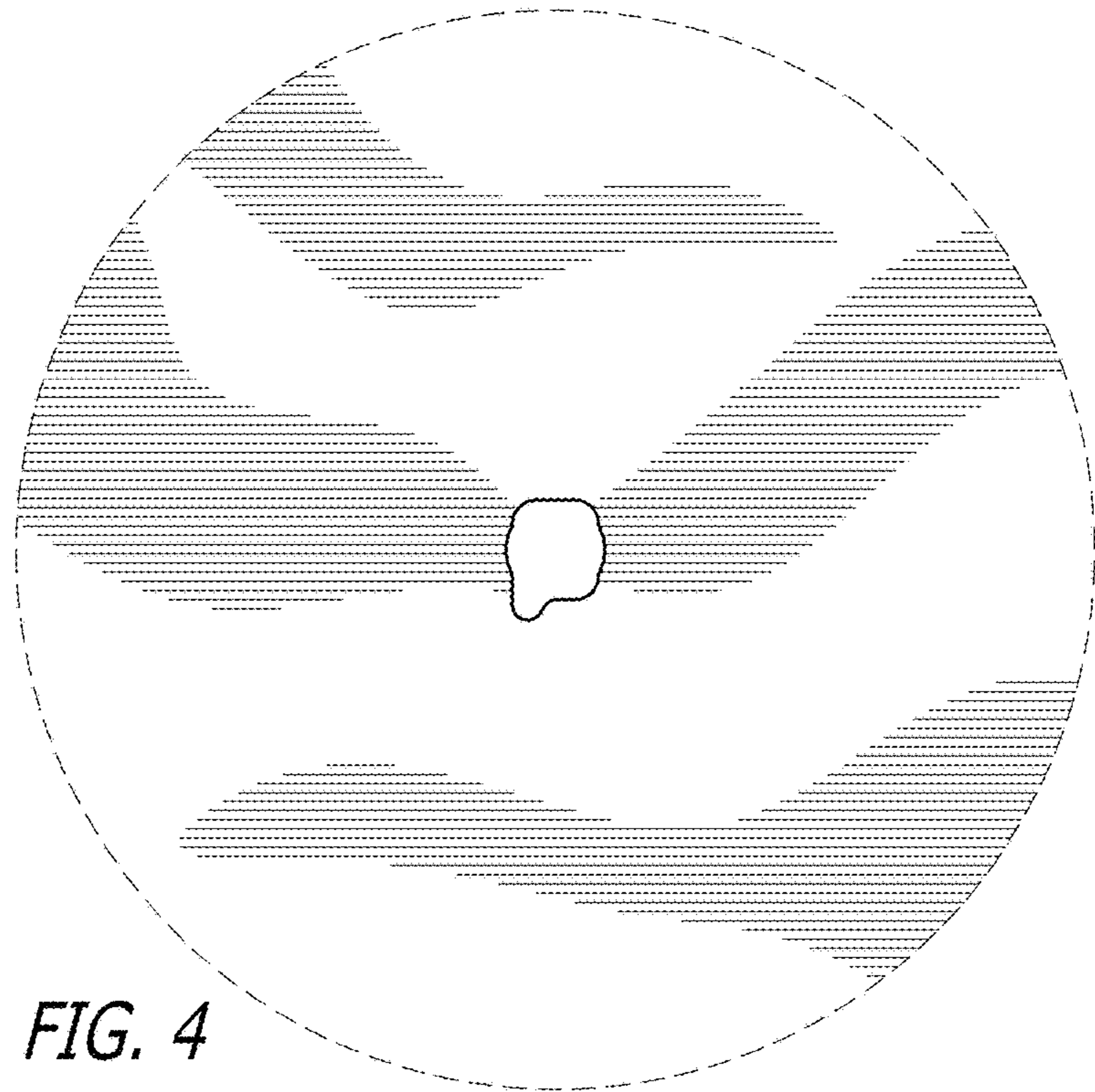


FIG. 4

FIG. 5