



US00D782260S

(12) **United States Design Patent**
Chiu

(10) **Patent No.:** **US D782,260 S**

(45) **Date of Patent:** **** Mar. 28, 2017**

- (54) **BLADE**
- (71) Applicant: **GOODLY-CH ENTERPRISE CO., LTD.**, Taichung (TW)
- (72) Inventor: **Chin-Chang Chiu**, Taichung (TW)
- (73) Assignee: **Goodly-CH Enterprise Co., Ltd.**, Taichung (TW)
- (**) Term: **15 Years**
- (21) Appl. No.: **29/536,060**
- (22) Filed: **Aug. 13, 2015**
- (51) **LOC (10) Cl.** **08-03**
- (52) **U.S. Cl.**
USPC **D8/20**
- (58) **Field of Classification Search**
USPC D8/14, 16, 19, 20, 70, 98; D15/17, 129, D15/134, 138, 139
CPC B23D 61/003; B23D 61/02; B23D 61/12; B23D 61/121; B23D 61/123; B23D 61/126; B23D 61/128; B23D 49/14; D26B 5/001
See application file for complete search history.

5,909,930	A *	6/1999	Ragland, III	B26B 5/001
					30/125
5,996,715	A *	12/1999	Peay	E21B 10/58
					175/420.1
D481,045	S *	10/2003	Ahn	D15/139
6,886,257	B2 *	5/2005	Chih	B26B 5/001
					30/125
D514,144	S *	1/2006	Sollami	D15/139
D623,911	S *	9/2010	Allem	D8/20
D636,646	S *	4/2011	Muccino	D8/20
D637,880	S *	5/2011	Kenny	D15/139
8,161,654	B2 *	4/2012	Green	B26B 9/00
					30/346.52
D660,107	S *	5/2012	Green	D8/20
D709,250	S *	7/2014	Walker	D30/158
D745,575	S *	12/2015	Losen	D15/32
2007/0101576	A1 *	5/2007	Green	B26B 29/02
					30/62

* cited by examiner

Primary Examiner — Elizabeth Albert
(74) *Attorney, Agent, or Firm* — Alan D. Kamrath;
Kamrath IP Lawfirm, P.A.

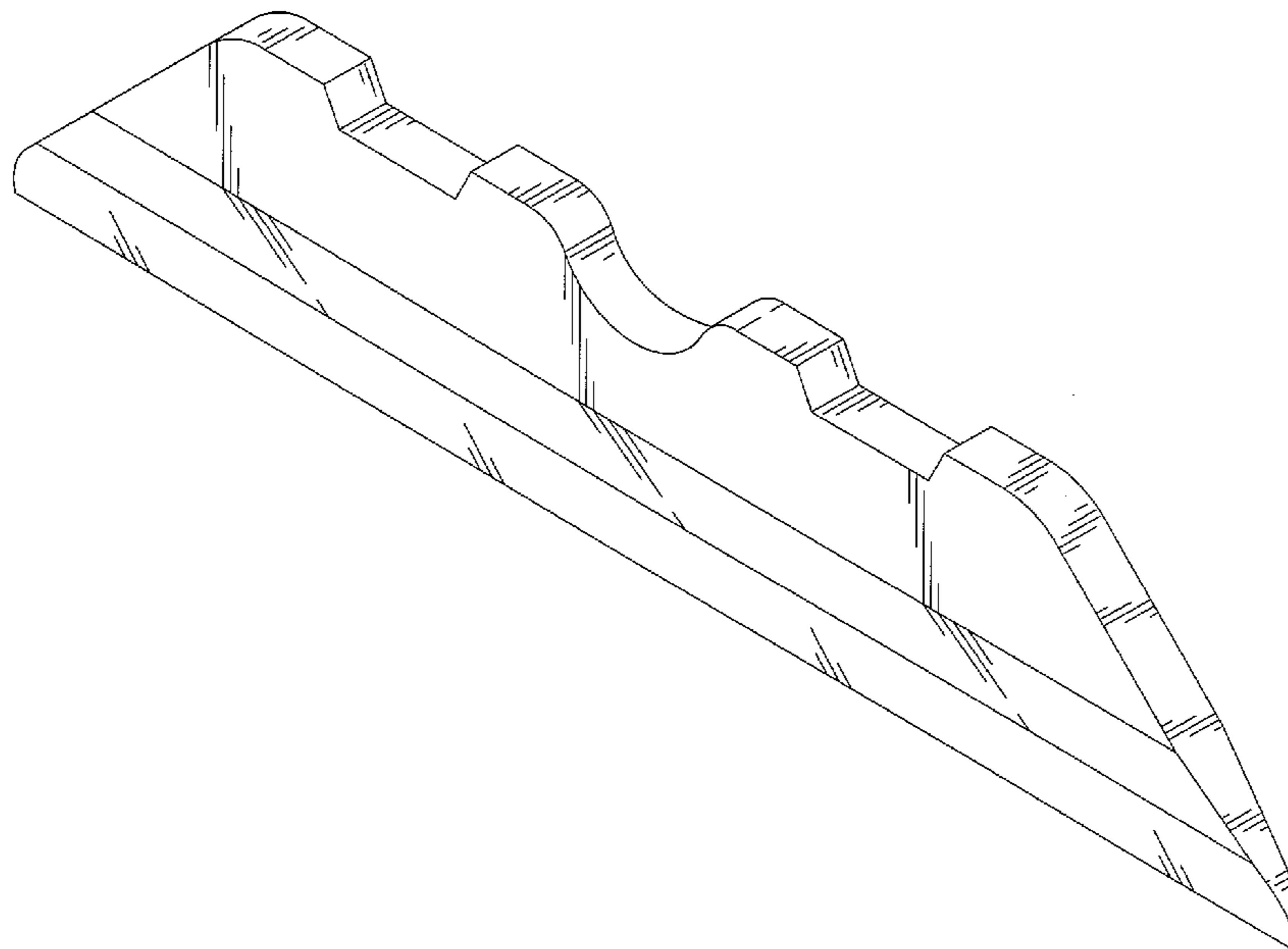
(57) **CLAIM**

The ornamental design for blade, as shown and described.

DESCRIPTION

FIG. 1 is a perspective view of a blade showing my new design;
FIG. 2 is a front view thereof;
FIG. 3 is a left view thereof;
FIG. 4 is a top view thereof; and,
FIG. 5 is a bottom view thereof.

1 Claim, 5 Drawing Sheets



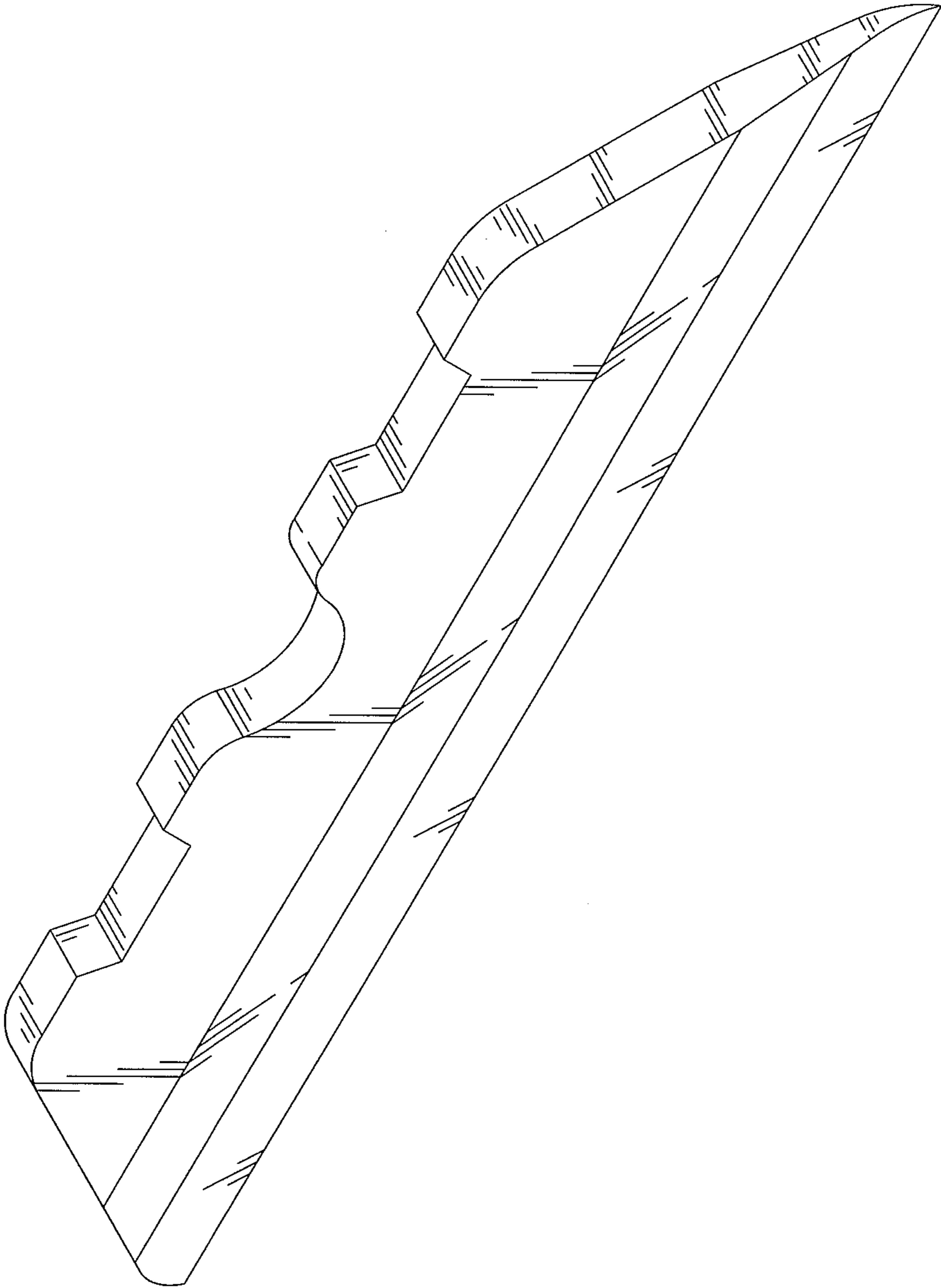


FIG. 1

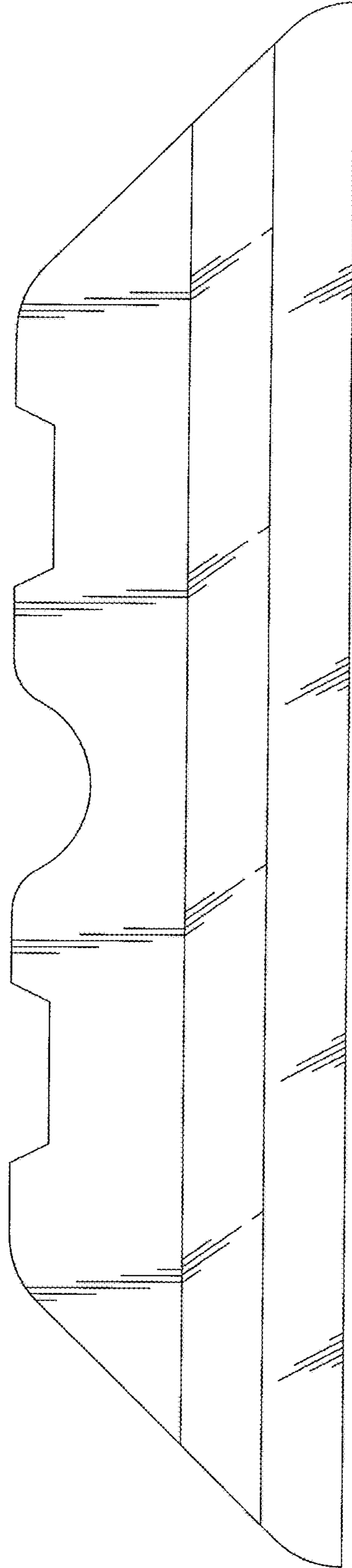


FIG. 2

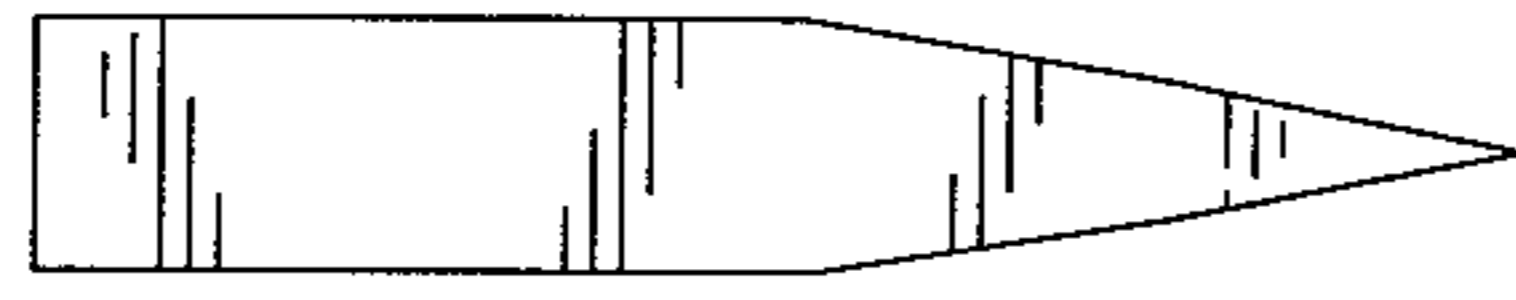


FIG. 3



FIG. 4

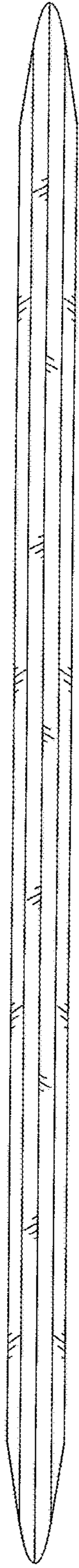


FIG. 5