



US00D782257S

(12) **United States Design Patent**  
**Arai et al.**

(10) **Patent No.:** **US D782,257 S**  
(45) **Date of Patent:** **\*\* Mar. 28, 2017**

(54) **PEELER FOR FRUITS AND VEGETABLES**  
(71) Applicant: **MURO CORPORATION**, Tokyo (JP)  
(72) Inventors: **Kunihiro Arai**, Utsunomiya (JP);  
**Yoichi Watanabe**, Utsunomiya (JP)  
(73) Assignee: **MURO CORPORATION**, Tokyo (JP)  
(\*\*) Term: **14 Years**  
(21) Appl. No.: **29/503,005**  
(22) Filed: **Sep. 22, 2014**

(30) **Foreign Application Priority Data**  
Mar. 25, 2014 (JP) ..... 2014-006196  
(51) **LOC (10) Cl.** ..... **09-03**  
(52) **U.S. Cl.**  
USPC ..... **D7/693**  
(58) **Field of Classification Search**  
USPC .... 83/875, 882; 99/538, 541, 542, 590, 592;  
426/299; D7/372, 665, 672, 678  
(Continued)

(56) **References Cited**  
**U.S. PATENT DOCUMENTS**  
5,957,045 A \* 9/1999 He ..... A23N 7/026  
99/541  
D465,137 S \* 11/2002 Wong ..... D7/693  
(Continued)

**OTHER PUBLICATIONS**  
Vslider-YouTube, Smart, Nov. 8, 2014, [site visited Mar. 22, 2016],  
Available on the Internet URL:<<https://www.youtube.com/watch?v=Aqe24H5PZhs&feature=youtu.be>>.\*  
(Continued)

*Primary Examiner* — Susan Bennett Hattan  
*Assistant Examiner* — S. Bryan Reinholdt, Jr.  
(74) *Attorney, Agent, or Firm* — Lynette Wylie; Apex  
Juris, PLLC

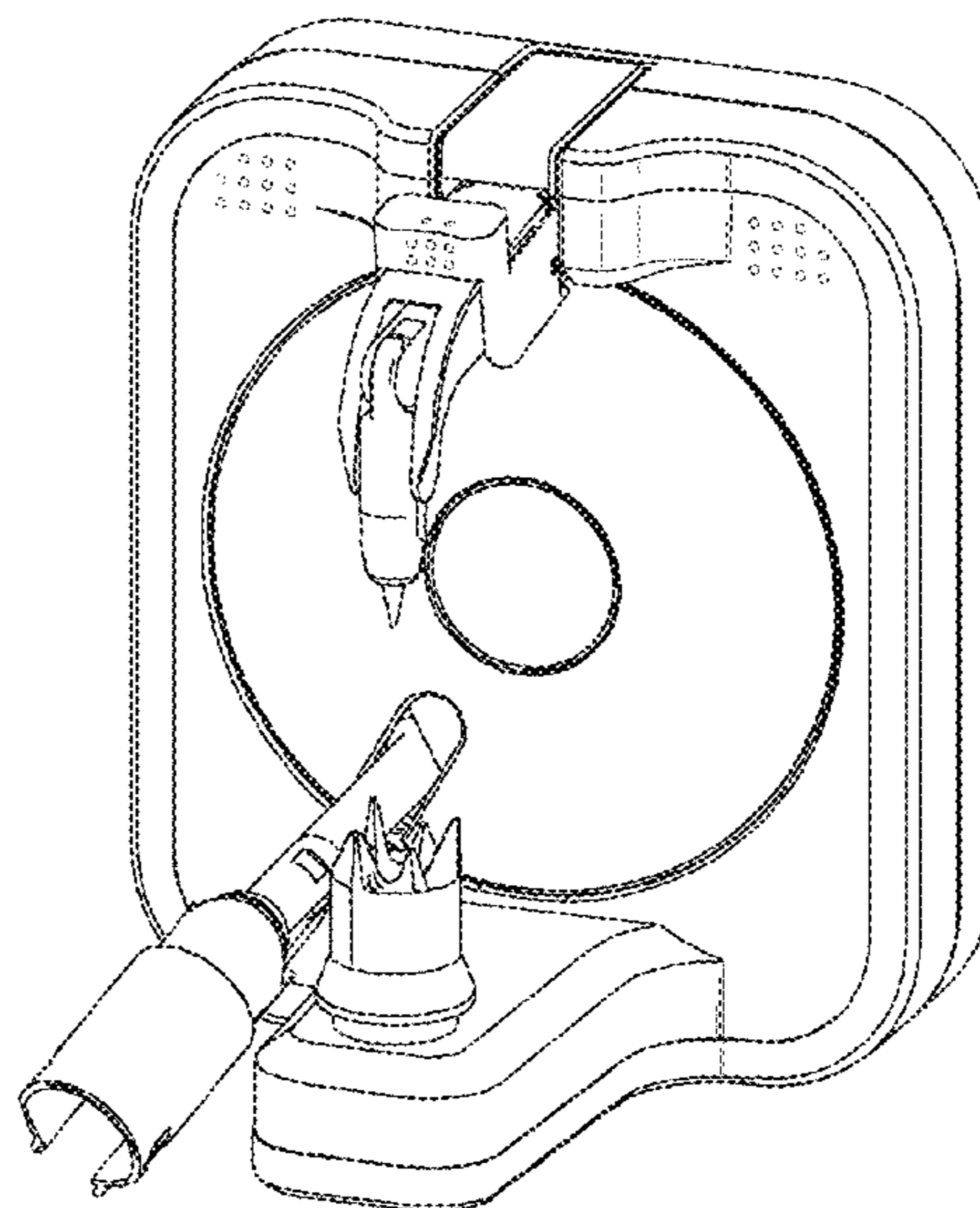
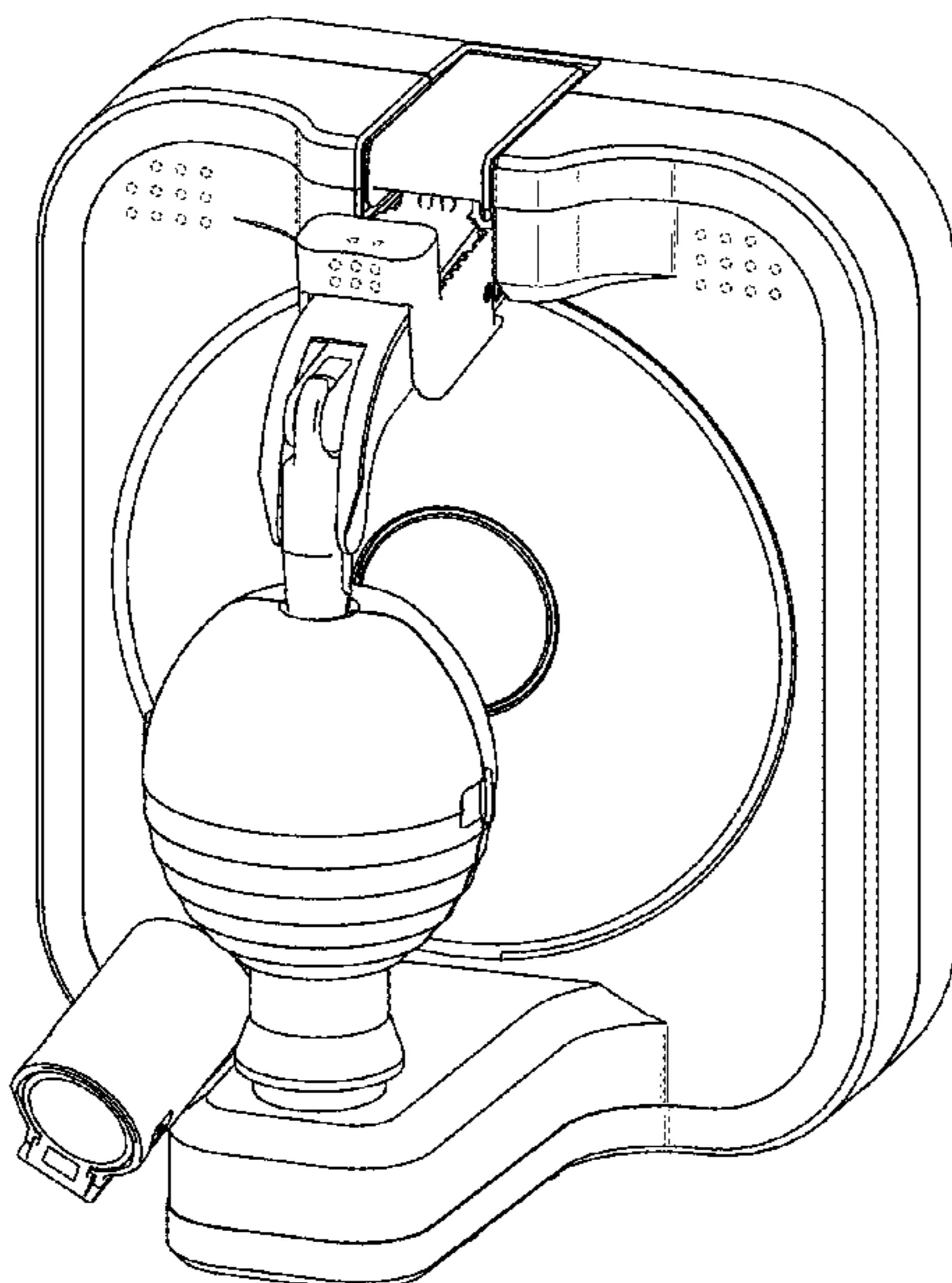
(57) **CLAIM**

The ornamental design for a peeler for fruits and vegetables,  
as shown and described.

**DESCRIPTION**

FIG. 1 is a front elevational view of a peeler for fruits and vegetables, shown with a storage apparatus attached.  
FIG. 2 is a rear elevational view thereof.  
FIG. 3 is a right side elevational view thereof.  
FIG. 4 is a left side elevational view thereof.  
FIG. 5 is a top plan view thereof.  
FIG. 6 is a bottom plan view thereof.  
FIG. 7 is a front and right side perspective view thereof.  
FIG. 8 is a front elevational view showing a condition of use with the storage apparatus removed.  
FIG. 9 is a right side elevational reference view showing the use position thereof.  
FIG. 10 is a left side elevational reference view showing the use position thereof.  
FIG. 11 is a top plan reference view showing the use position thereof.  
FIG. 12 is a bottom plan reference view showing the use position thereof.  
FIG. 13 is a perspective reference view showing the use position thereof; and,  
FIG. 14 is a perspective reference view showing it in the environment in which it is used.  
The broken lines in the figures are for environmental purpose only and form no part of the claimed design.

**1 Claim, 14 Drawing Sheets**



(58) **Field of Classification Search**

CPC ..... A23N 4/14; A47J 17/16; A47J 43/145;  
B26D 3/06; B26D 3/11; C03B 33/027

See application file for complete search history.

(56) **References Cited**

U.S. PATENT DOCUMENTS

D506,649 S *	6/2005	Muro	.....	D7/693
7,077,058 B2 *	7/2006	Muro	.....	A47J 17/16
				99/541
D689,348 S *	9/2013	Wong	.....	D7/693
2005/0109224 A1 *	5/2005	Muro	.....	A47J 17/16
				99/588

OTHER PUBLICATIONS

Vislider-YouTube, Smart, Jul. 7, 2015, [site visited Mar. 22, 2016],  
Available on the Internet URL: <<https://www.youtube.com/watch?v=4TEeyUq4TwA>>.\*

Muro North America, Inc, Mass-a-Peel, Publication date unknown,  
[site visited Mar. 22, 2016], Available on the Internet URL: <<http://www.muro.com/products/specialty/>>.\*

\* cited by examiner

Fig. 1

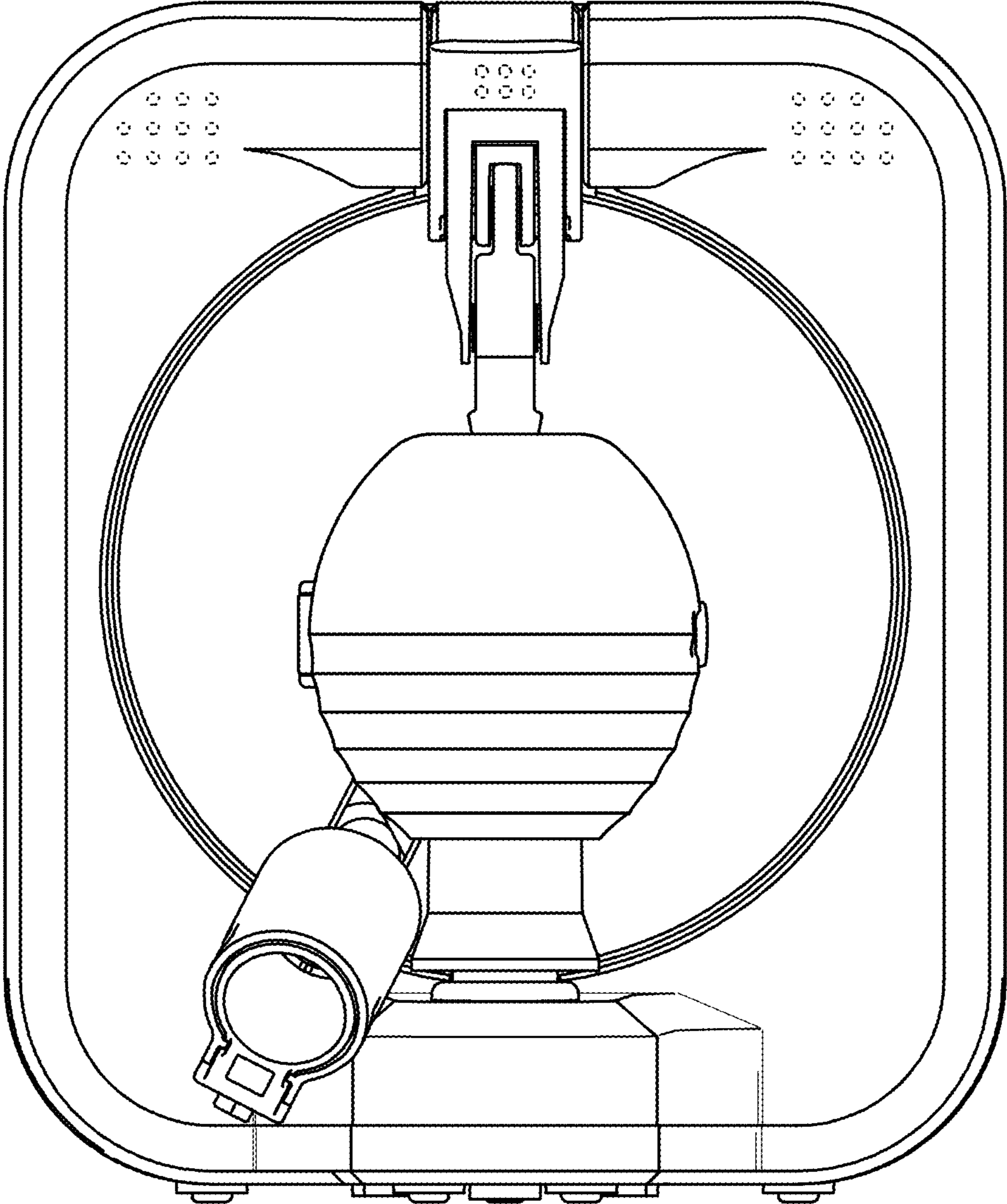


Fig. 2

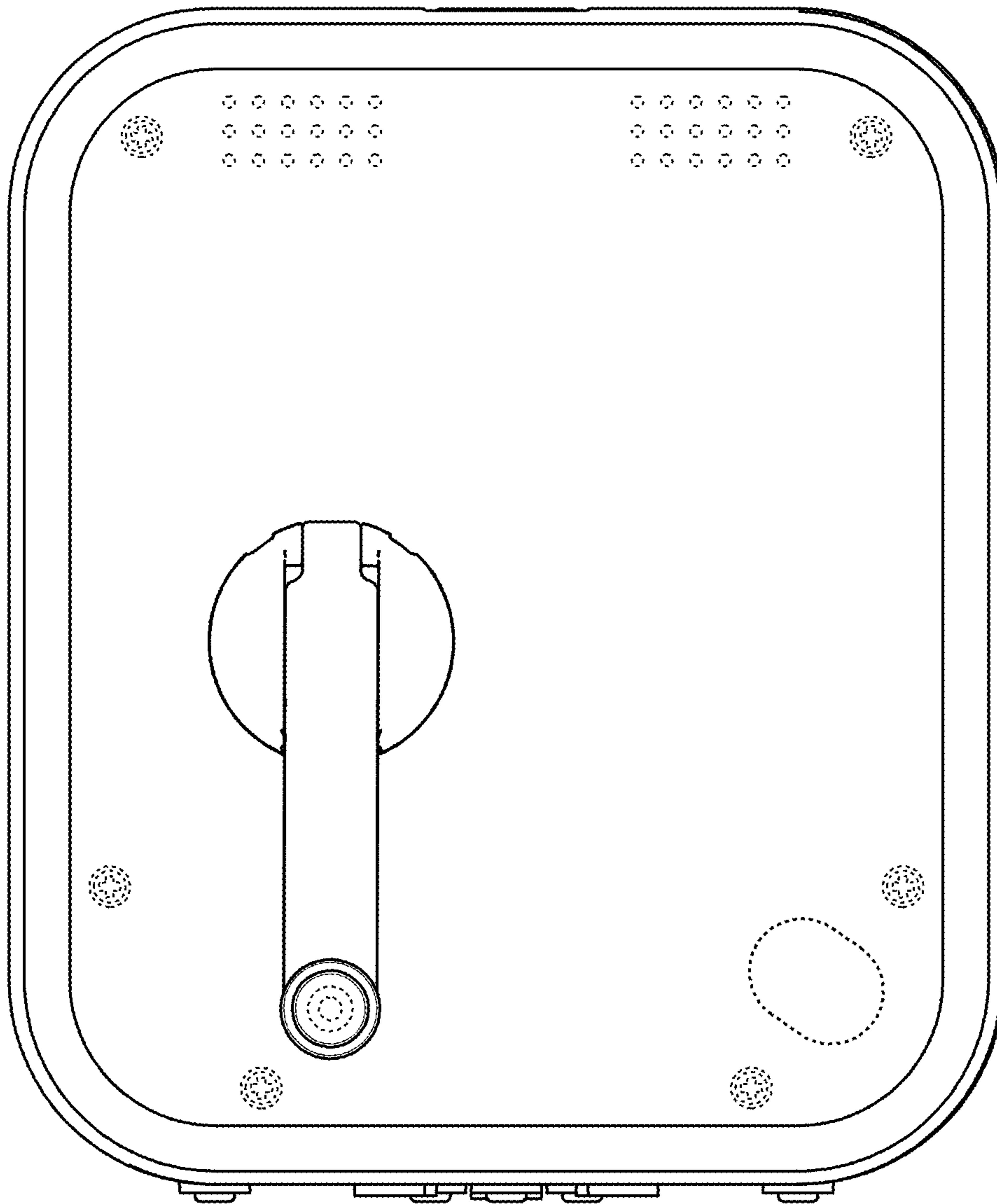


Fig. 3

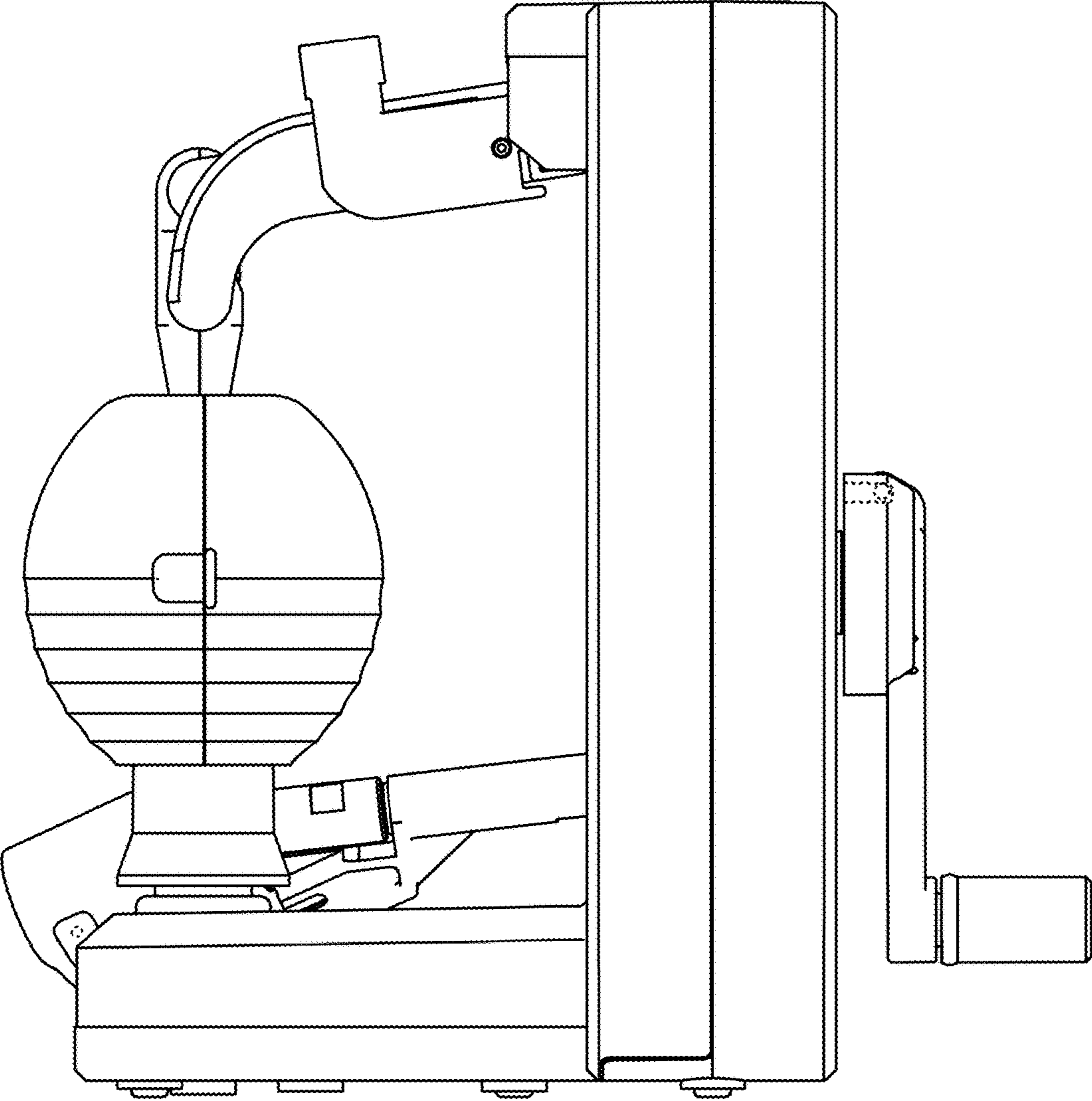


Fig. 4

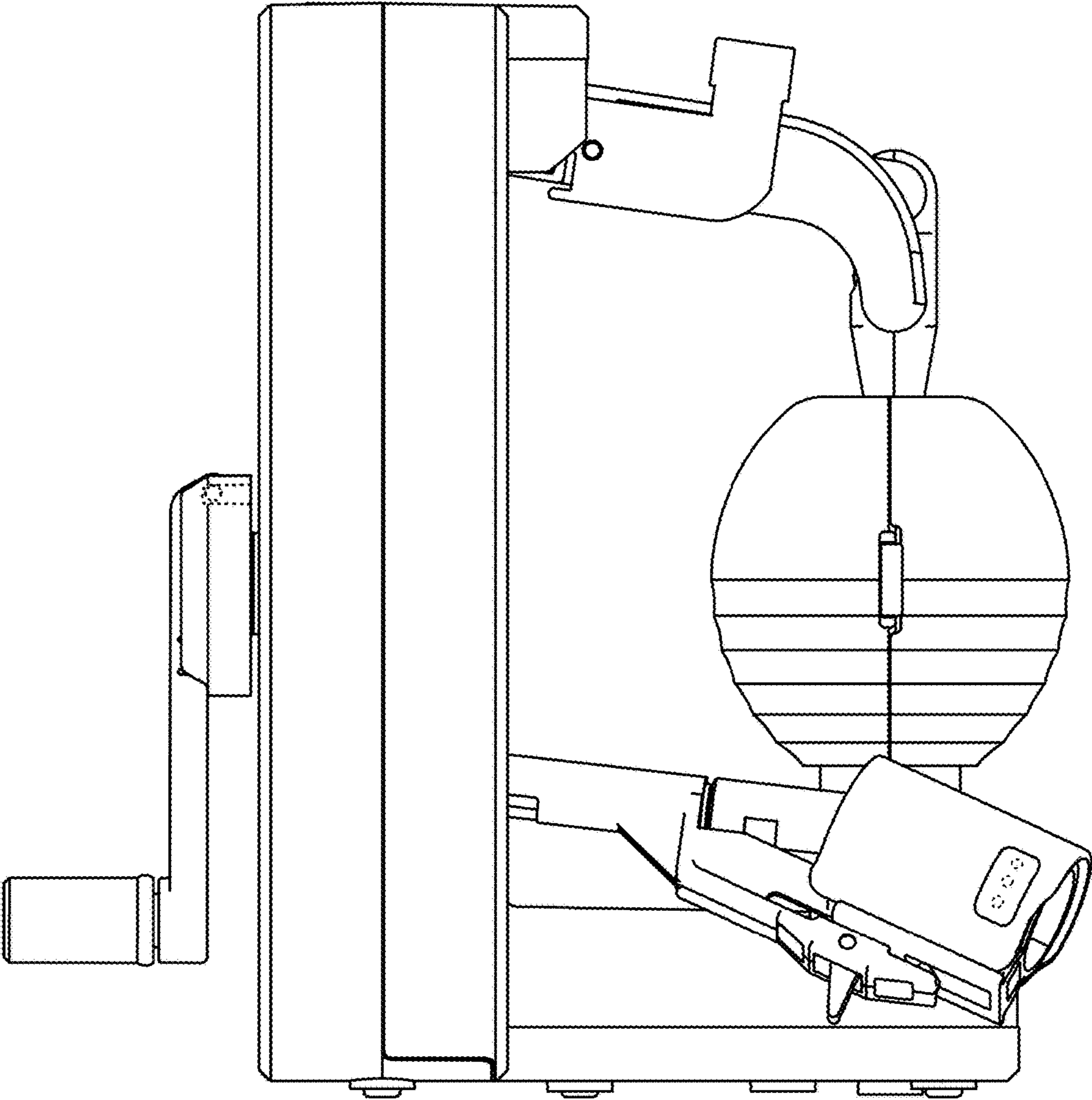


Fig. 5

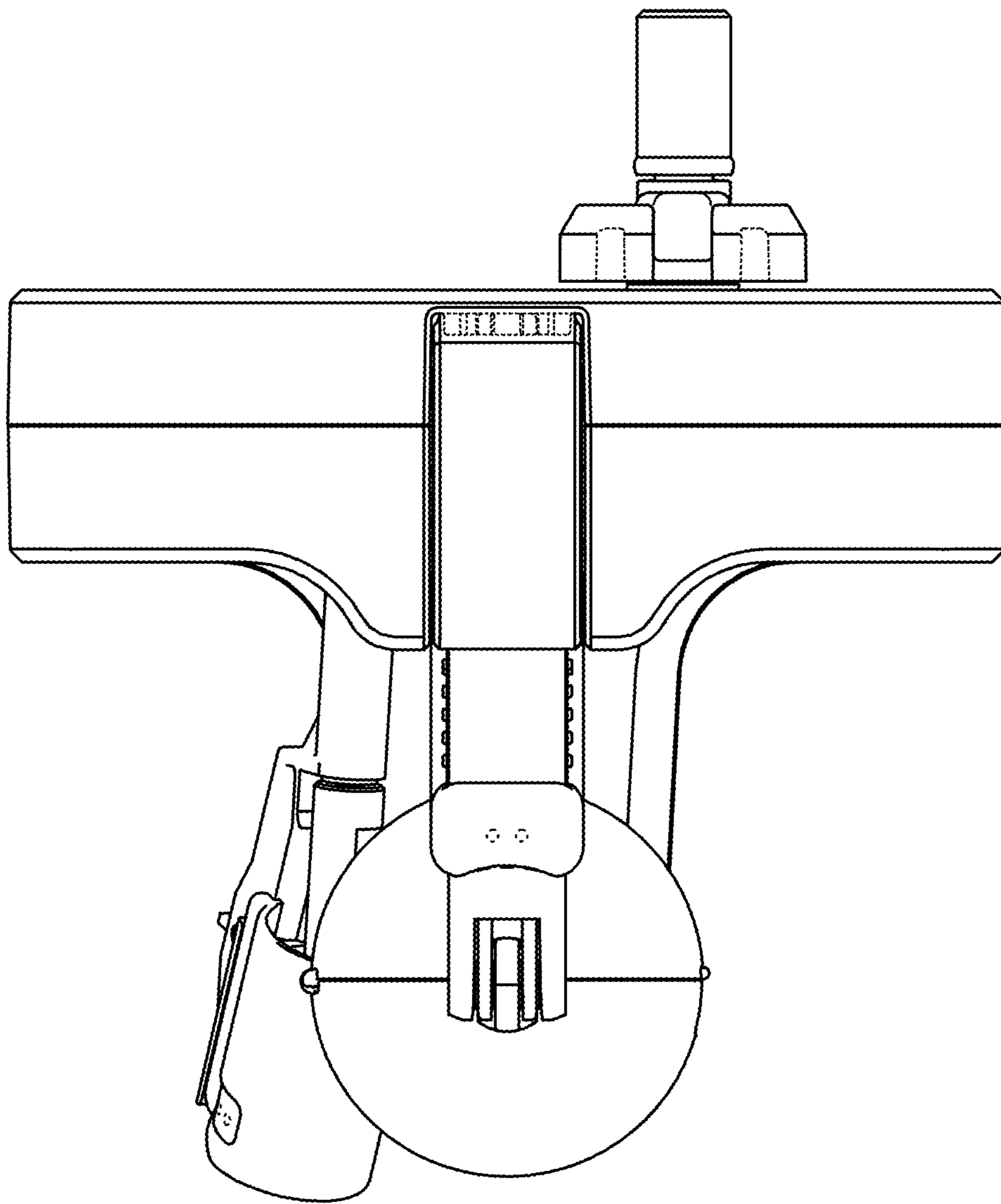


Fig. 6

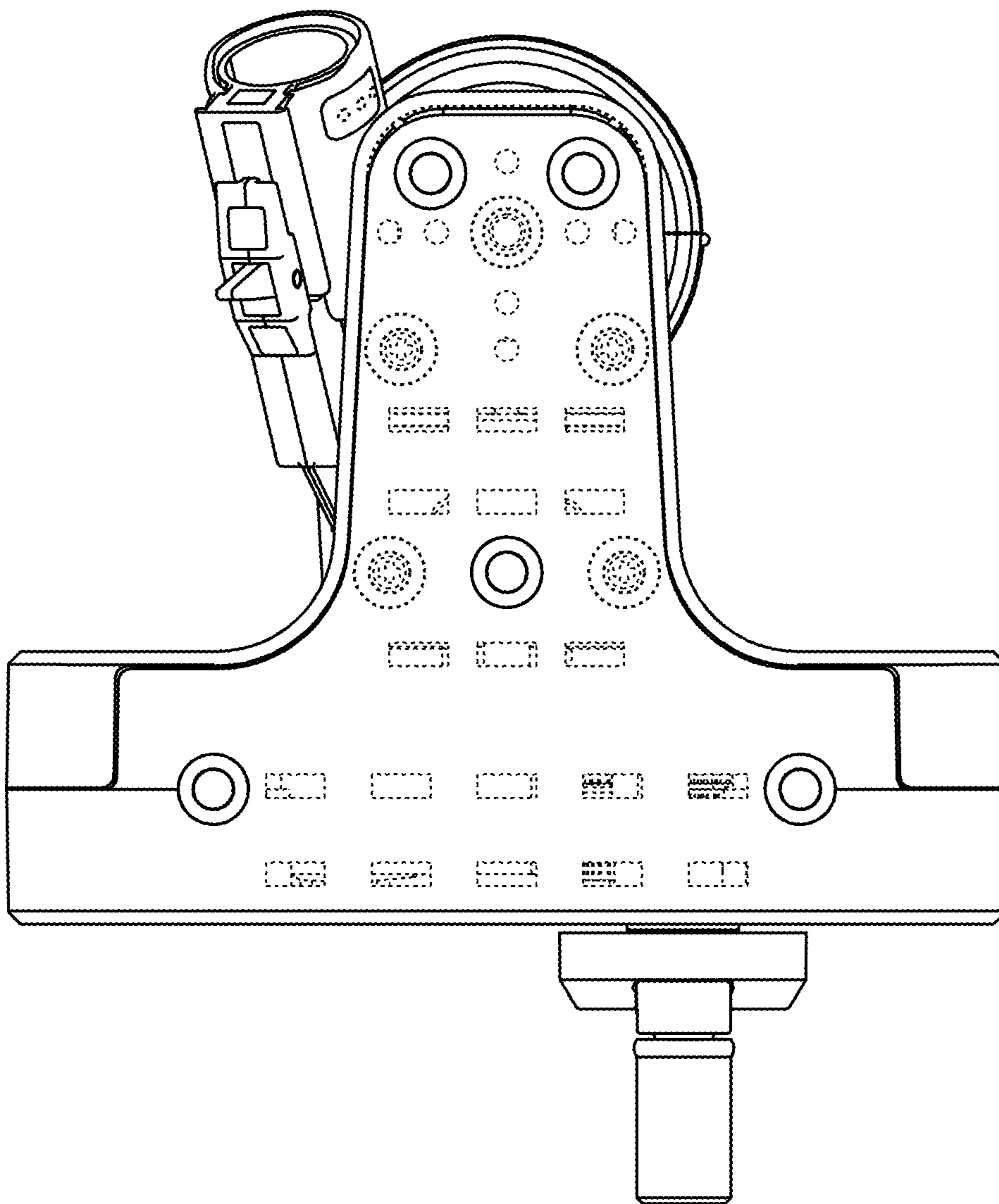




Fig. 7

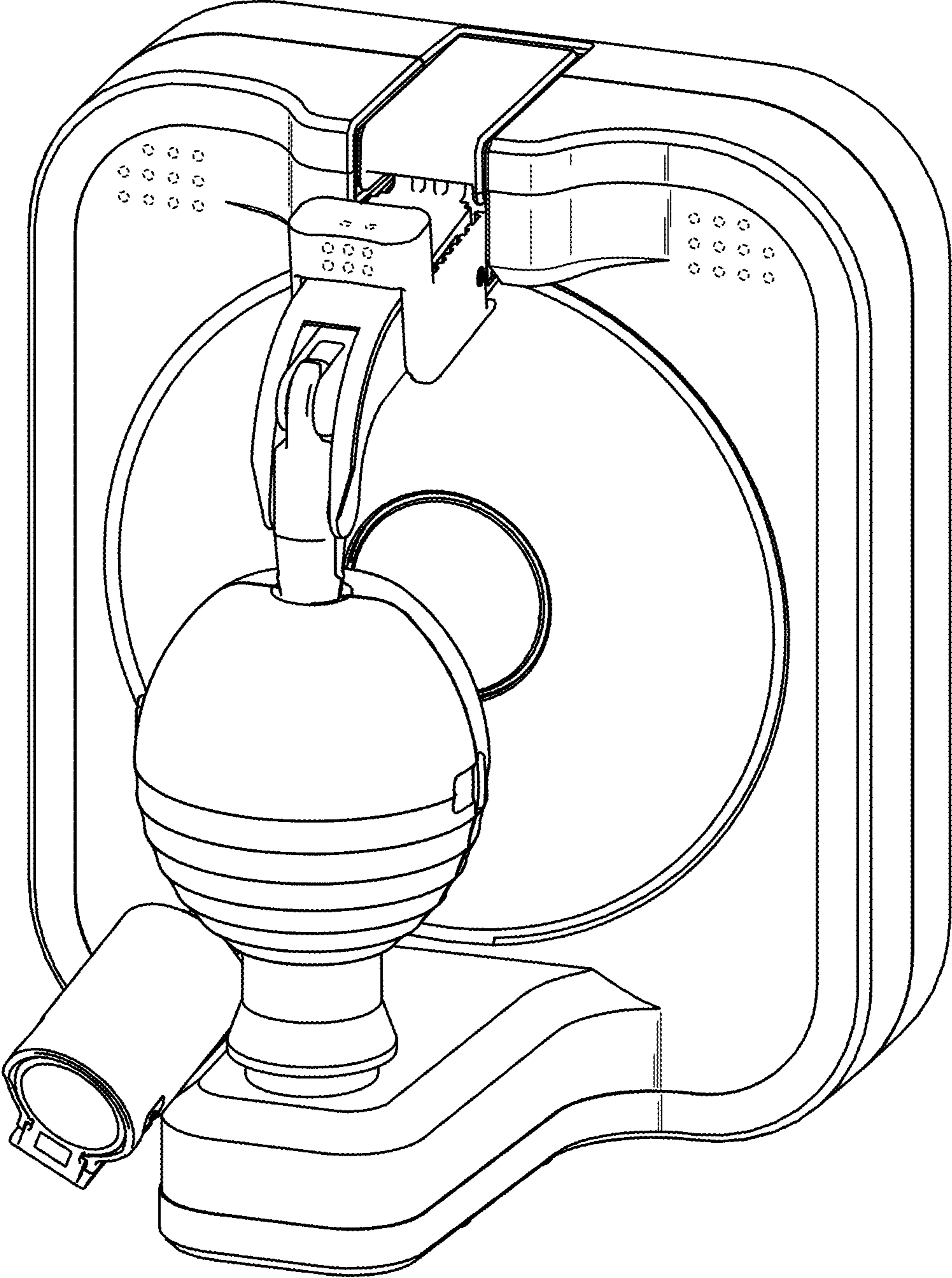


Fig. 8

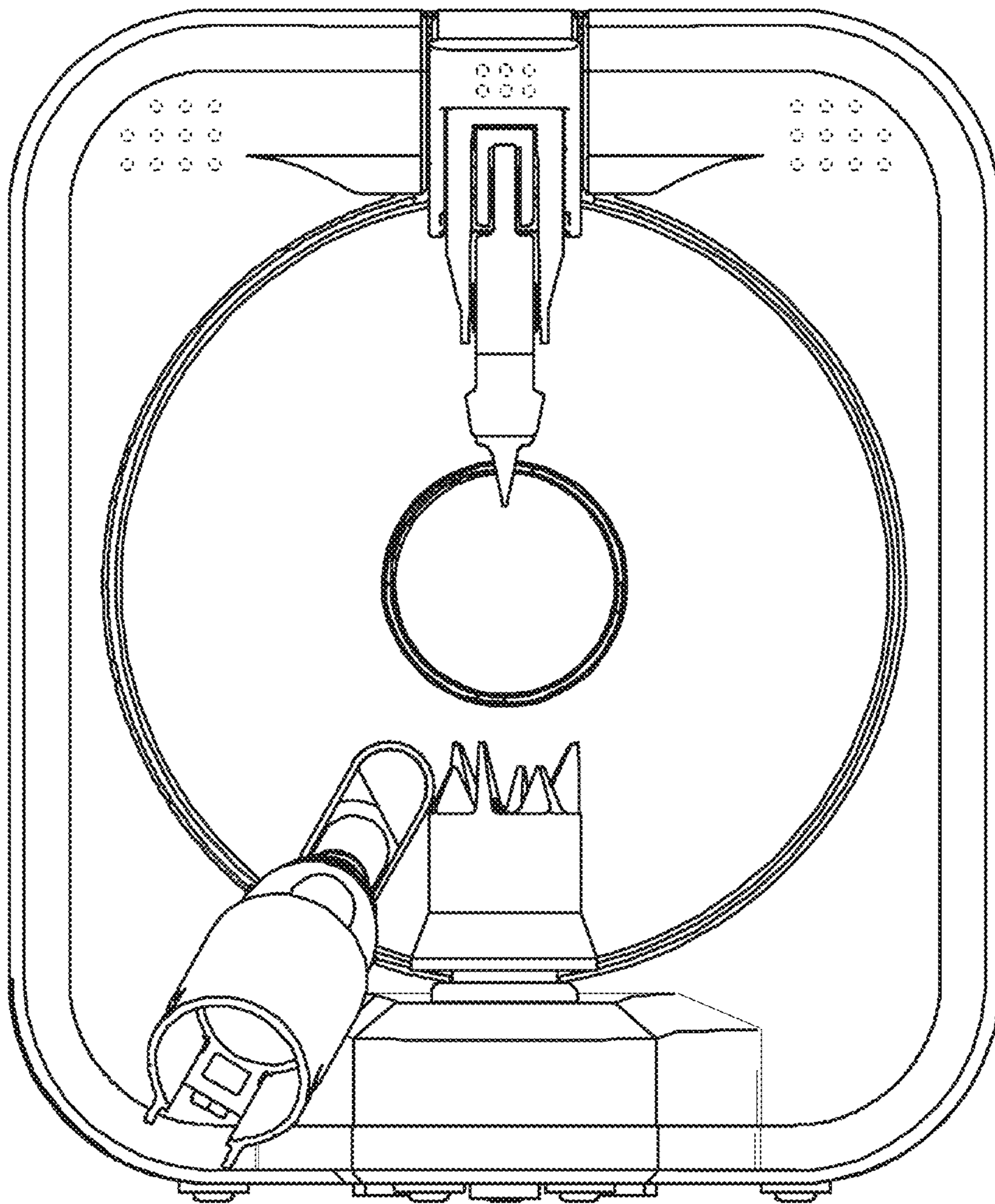


Fig. 9

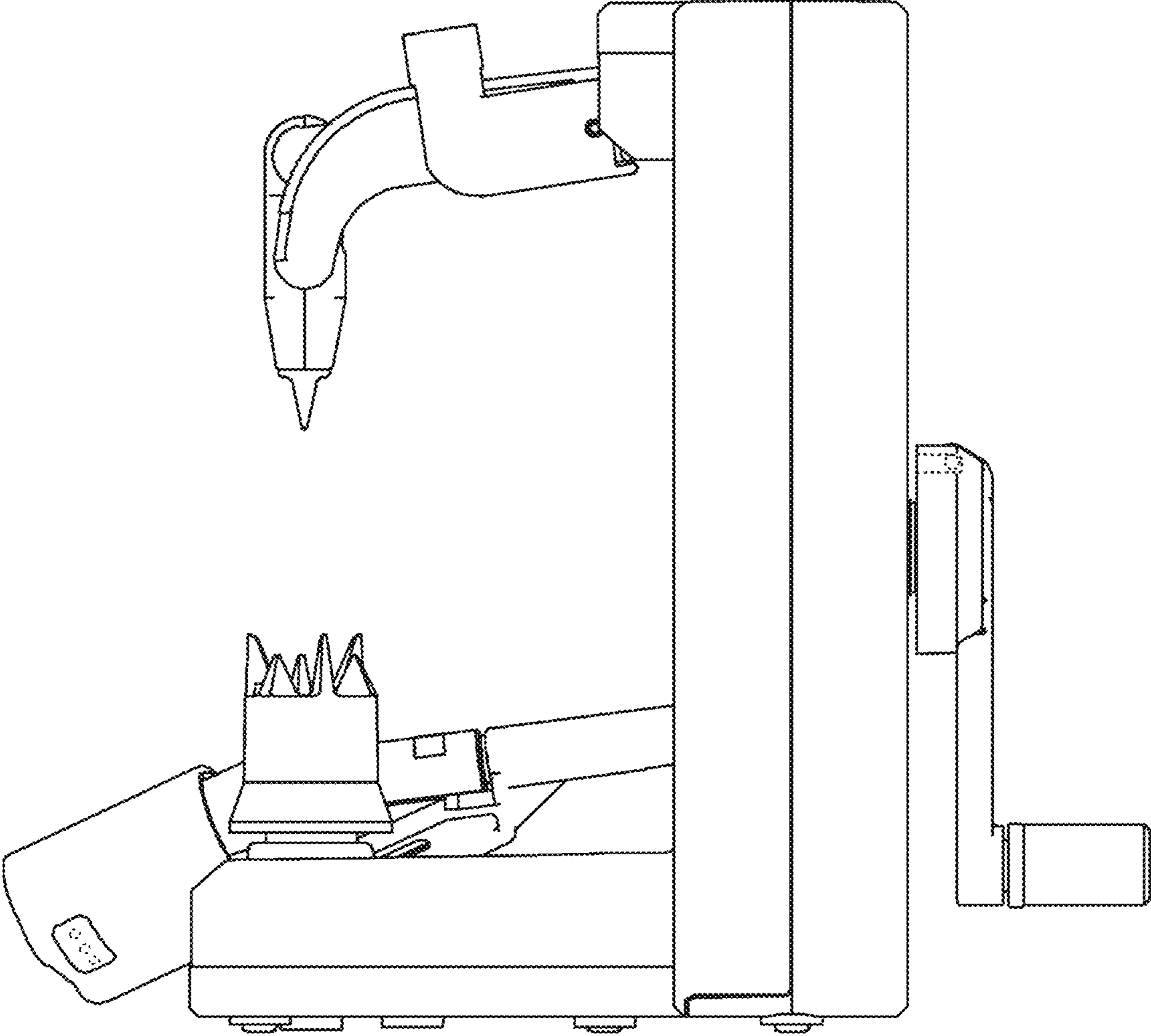


Fig. 10

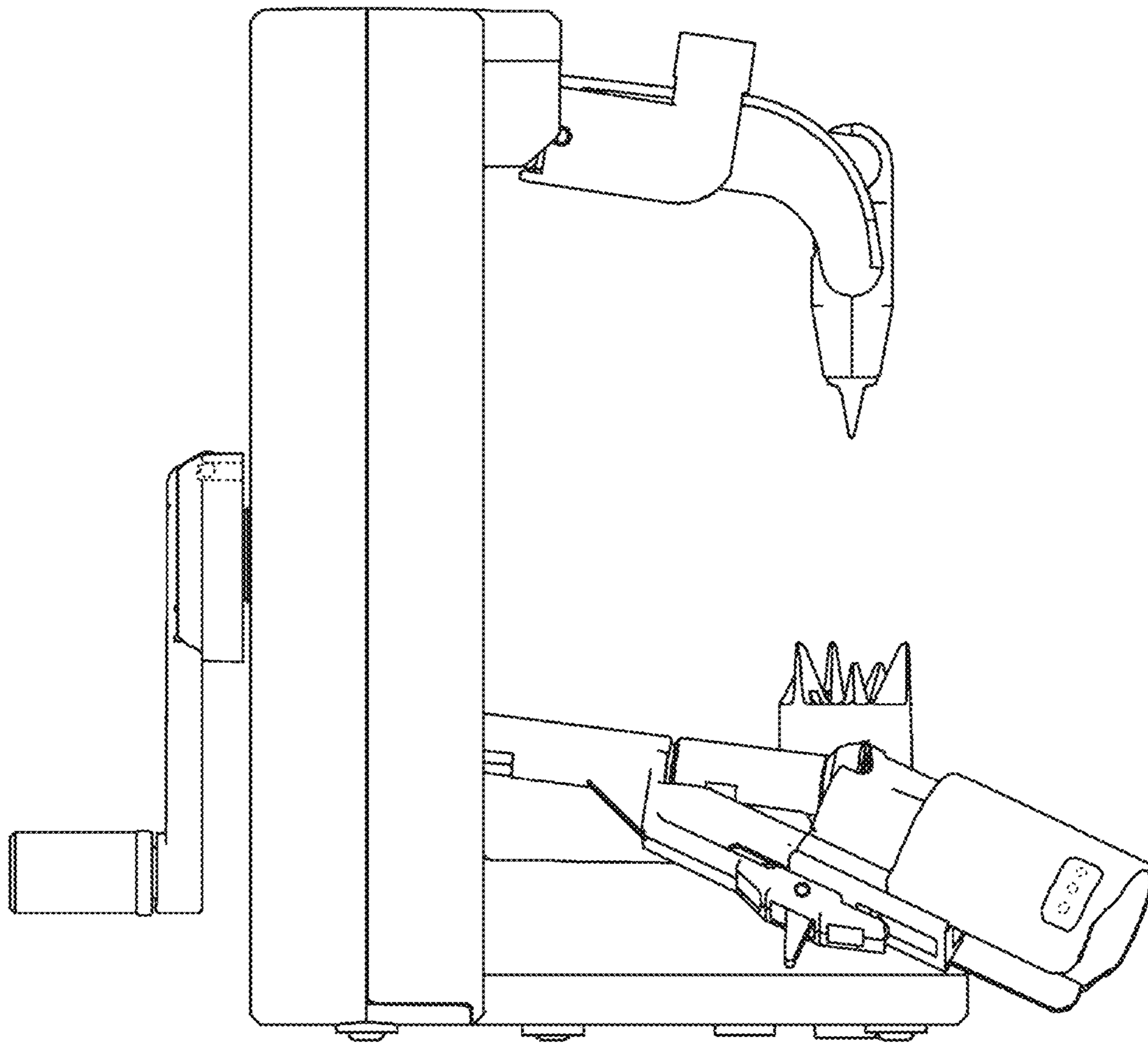


Fig. 11

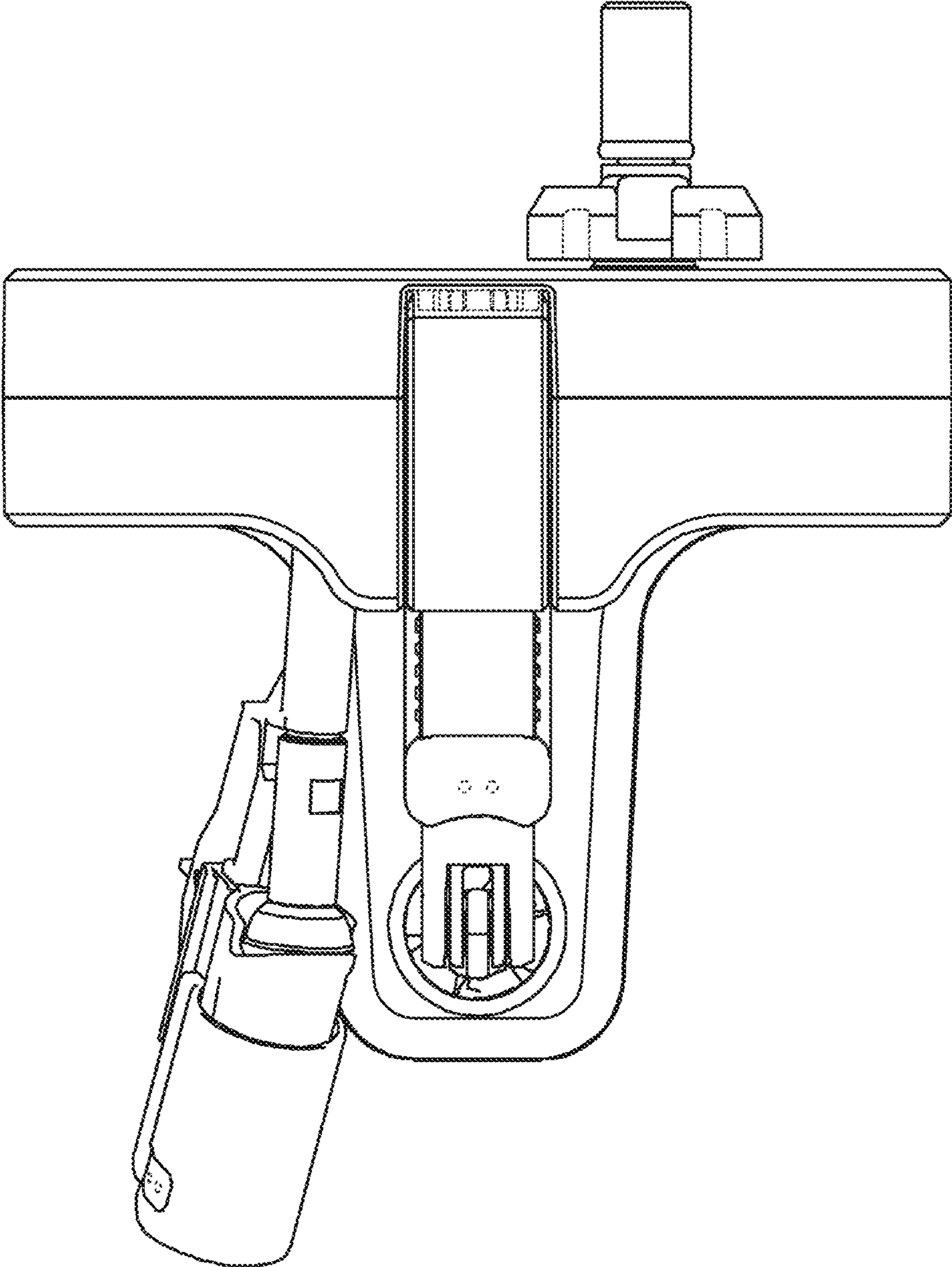


Fig. 12

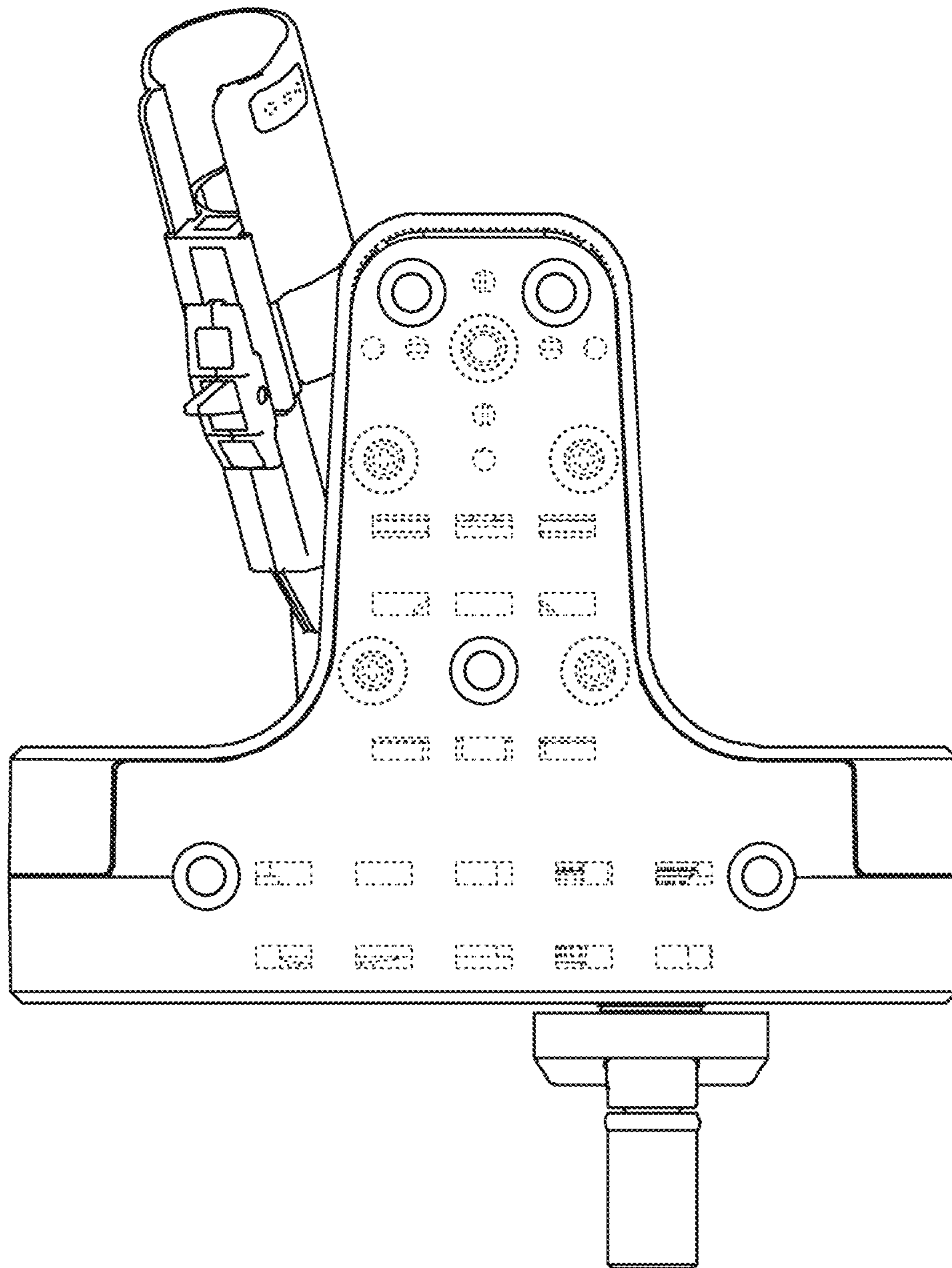


Fig. 13

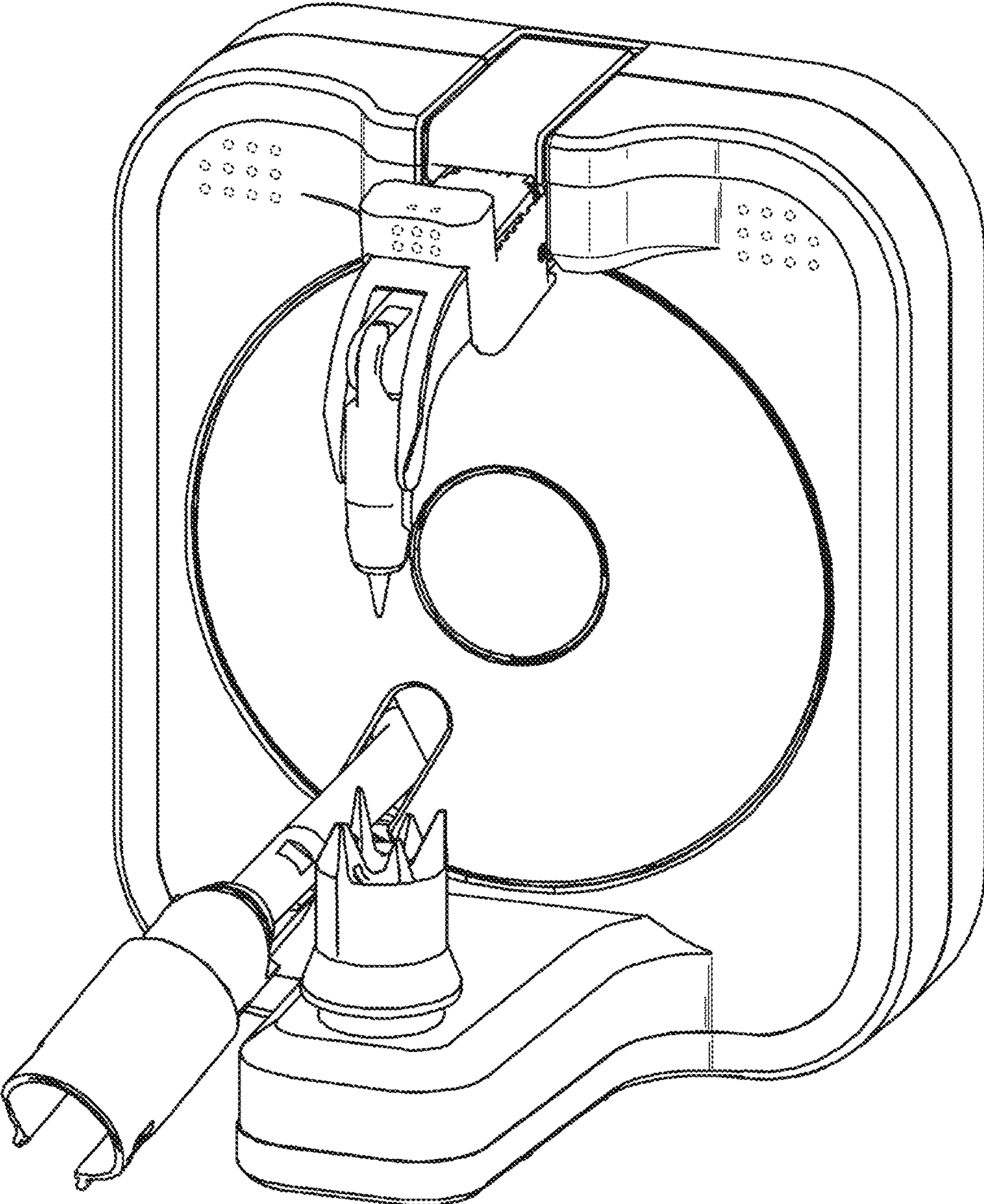


Fig. 14

