



US00D782255S

(12) **United States Design Patent** (10) **Patent No.:** **US D782,255 S**
Humphreys (45) **Date of Patent:** **** Mar. 28, 2017**

(54) **YOGURT SPOON**

(71) Applicant: **Lisa C. Humphreys**, Syracuse, NY (US)

(72) Inventor: **Lisa C. Humphreys**, Syracuse, NY (US)

(**) Term: **15 Years**

(21) Appl. No.: **29/541,013**

(22) Filed: **Sep. 30, 2015**

Related U.S. Application Data

(63) Continuation of application No. 29/497,422, filed on Jul. 24, 2014, now Pat. No. Des. 739,186.

(51) **LOC (10) Cl.** **07-03**

(52) **U.S. Cl.**
USPC **D7/653**; D7/401.2; D7/642

(58) **Field of Classification Search**
USPC D7/368, 401.2, 642-645, 653-664, 669, D7/675-677, 683, 688-689, 691; D8/107, 300-301; D10/46.2-46.3; D22/117-118; D30/162

CPC ... A01B 1/20; A01D 9/02; A01D 9/04; A01D 9/06; A47G 21/00; A47G 21/004; A47G 21/005; A47G 21/02; A47G 21/023; A47G 21/04; A47G 21/06; A47G 21/08; A47J 43/28; A47J 43/281; A47J 43/282; A61F 13/10; A61J 7/0023; B25G 1/00; B25G 1/01; B25G 1/02; B25G 3/00; B65D 75/56; B65D 75/563; B65D 75/566; B67B 7/00; B67B 7/724; B67B 7/73; G01F 19/002

See application file for complete search history.

(56) **References Cited**

U.S. PATENT DOCUMENTS

D167,088 S 6/1952 Laughlin
D176,160 S * 11/1955 Seibert D7/653
2,799,086 A 7/1957 Tupper
2,854,849 A * 10/1958 Setecka G01F 19/002
73/429

D191,716 S 11/1961 Hvale
3,014,277 A 12/1961 Geckler
3,080,081 A 3/1963 Gram
3,208,144 A 9/1965 Cronheim
3,224,091 A 12/1965 Scigliano
3,224,093 A 12/1965 Huck
D203,943 S 3/1966 Laughlin

(Continued)

Primary Examiner — Ricky Pham

(74) *Attorney, Agent, or Firm* — George R. McGuire; Bond, Schoeneck & King, PLLC

(57) **CLAIM**

The ornamental design for a yogurt spoon, as shown and described.

DESCRIPTION

FIG. 1 is a perspective view of the yogurt spoon showing my new design;

FIG. 2 is a top plan view of the yogurt spoon shown in FIG. 1;

FIG. 3 is a bottom plan view of the yogurt spoon shown in FIG. 1;

FIG. 4 is a right side elevation view of the yogurt spoon shown in FIG. 1;

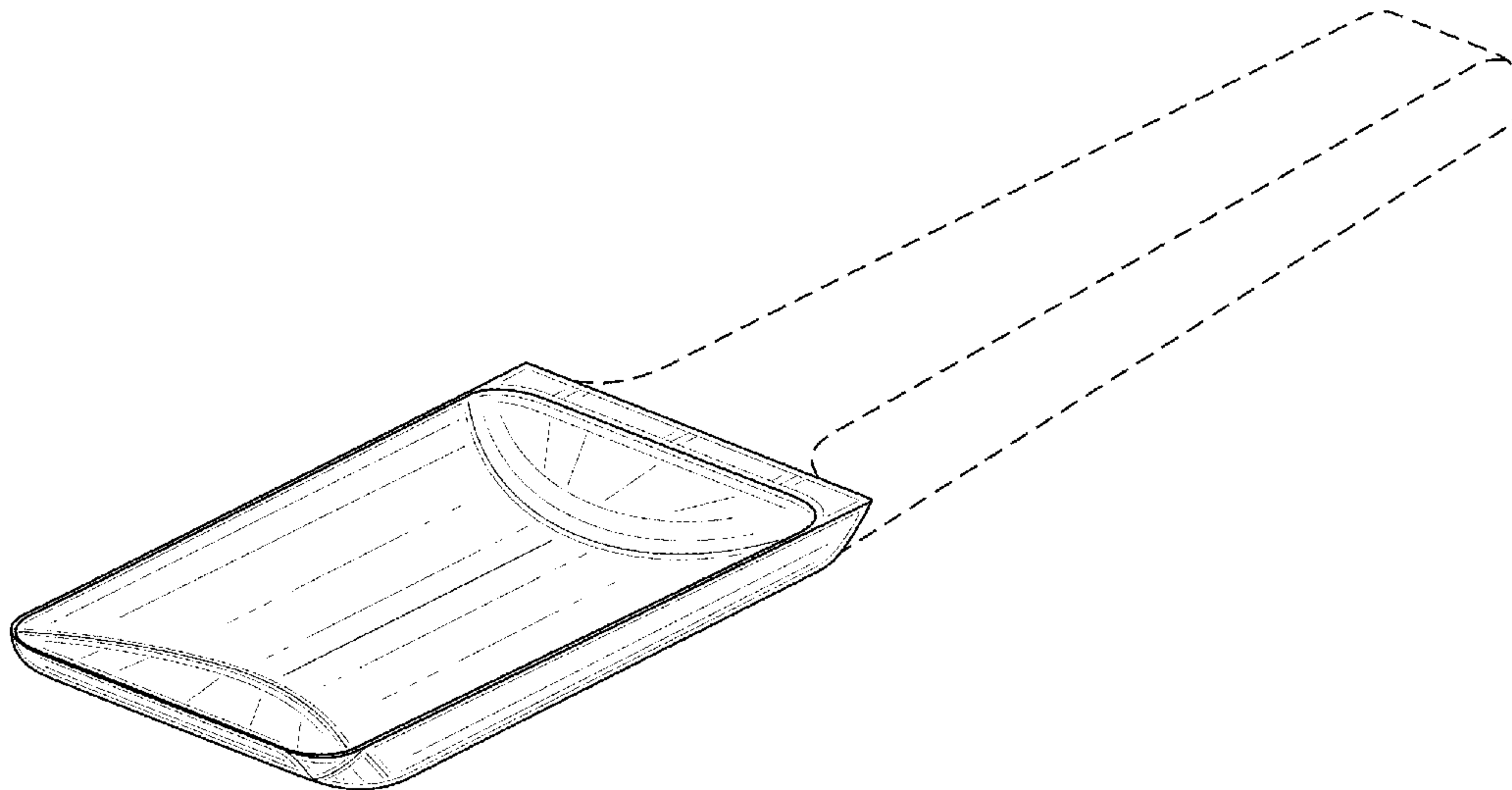
FIG. 5 is a left side elevation view of the yogurt spoon shown in FIG. 1;

FIG. 6 is a front elevation view of the yogurt spoon shown in FIG. 1; and,

FIG. 7 is a rear elevation view of the yogurt spoon shown in FIG. 1.

The broken lines shown in the drawings are for illustrative purposes only and form no part of the claimed design.

1 Claim, 4 Drawing Sheets



(56)

References Cited

U.S. PATENT DOCUMENTS

D204,296 S 4/1966 Pine
 D204,788 S 5/1966 De Mieri
 3,254,409 A 6/1966 Gorsky
 3,259,132 A 7/1966 Katter
 3,271,856 A 9/1966 Rowley
 D207,018 S 2/1967 Di Benedetto
 D207,270 S 3/1967 Di Benedetto
 3,358,619 A 12/1967 Pareira
 D210,399 S 3/1968 Wichmann
 D210,549 S 3/1968 O'Brien
 3,400,591 A 9/1968 Larson
 3,456,301 A 7/1969 Morrioni
 D217,879 S 6/1970 Biolik
 3,727,306 A 4/1973 Patik
 D228,722 S 10/1973 Grimes
 3,804,450 A * 4/1974 Guenzel A01B 1/20
 294/180
 4,106,197 A 8/1978 Russell
 4,425,711 A 1/1984 Wood et al.
 4,438,564 A 3/1984 Ashton
 4,524,513 A 6/1985 Intini, Jr.
 4,524,517 A 6/1985 Rupe
 4,563,816 A 1/1986 Jagger
 4,589,204 A 5/1986 Vogel
 4,610,087 A 9/1986 Mickelson et al.
 4,826,033 A 5/1989 Satoh
 4,937,942 A 7/1990 Skerker
 4,956,917 A 9/1990 Chung
 4,969,268 A 11/1990 Kelly, III
 4,984,367 A 1/1991 Albanese
 4,993,156 A 2/1991 Craven
 5,014,434 A 5/1991 Skerker et al.
 5,075,975 A 12/1991 Wilson
 5,092,050 A 3/1992 Bardeen
 D328,867 S * 8/1992 Watt D10/46.2
 5,189,793 A 3/1993 Ratzon et al.
 5,201,121 A 4/1993 Heiberg
 5,251,774 A 10/1993 Engle
 5,279,036 A 1/1994 Rambin
 D346,534 S 5/1994 Cassarino
 5,373,643 A 12/1994 Warren
 5,376,325 A 12/1994 Ormson
 5,491,869 A 2/1996 Sullivan et al.
 5,491,897 A 2/1996 Michelena
 D371,976 S * 7/1996 Tucker D10/46.3
 5,592,744 A 1/1997 Weinstein
 5,630,276 A 5/1997 Weinstein
 D387,629 S 12/1997 Thierry
 D388,286 S 12/1997 Fox
 5,705,212 A 1/1998 Atkinson
 D403,256 S * 12/1998 Weterrings D10/46.3
 5,873,167 A 2/1999 Mason
 D411,081 S 6/1999 Holland
 5,920,993 A 7/1999 Wenk
 D412,813 S 8/1999 Roskind et al.
 5,946,807 A 9/1999 Crane et al.
 5,992,667 A 11/1999 Huang

D417,629 S * 12/1999 Weterrings D10/46.2
 6,105,254 A 8/2000 Crane et al.
 6,115,923 A 9/2000 Gentry et al.
 6,145,204 A 11/2000 Cash
 6,199,285 B1 3/2001 Sheehan
 6,279,233 B1 8/2001 Cameron
 D451,652 S * 12/2001 Lewis, II D30/162
 D452,177 S * 12/2001 McGuyer D10/46.3
 6,402,725 B1 6/2002 Clarke
 6,408,521 B1 6/2002 Pye et al.
 6,408,524 B1 6/2002 Lai
 6,453,562 B1 9/2002 Hakim
 6,457,238 B1 10/2002 Maier et al.
 6,467,175 B2 10/2002 Böhm-Van Diggelen
 D467,823 S * 12/2002 McGuyer D10/46.3
 D473,762 S 4/2003 Kerr
 D478,788 S 8/2003 Moore et al.
 D481,269 S 10/2003 Siegel et al.
 6,647,828 B2 11/2003 Hakim
 6,680,359 B2 1/2004 Schoenheider
 D487,556 S 3/2004 Siegel et al.
 6,701,625 B1 3/2004 Thomason et al.
 6,751,873 B2 6/2004 Mattson et al.
 6,848,339 B2 2/2005 Hakim
 6,851,574 B1 2/2005 Traynor
 6,865,815 B1 3/2005 Dunn et al.
 D519,041 S * 4/2006 McGuyer D10/46.2
 7,100,288 B2 9/2006 Kohler et al.
 7,178,247 B2 2/2007 Currie
 D561,540 S 2/2008 Rhodes, II
 7,416,377 B2 8/2008 Currie
 D586,630 S 2/2009 Vendl et al.
 7,484,299 B1 2/2009 Fleming
 D587,537 S 3/2009 Vendl et al.
 D606,372 S 12/2009 Gorskey et al.
 D614,922 S 5/2010 Sierra et al.
 D615,368 S 5/2010 Sierra
 D620,768 S 8/2010 Jossem
 7,805,843 B2 10/2010 Landsberger et al.
 D628,448 S 12/2010 Genatossio
 7,866,050 B2 1/2011 Yu
 D631,711 S 2/2011 Jossem et al.
 7,975,386 B1 7/2011 Halvorson
 8,020,303 B1 9/2011 Marsh
 8,210,381 B2 7/2012 Cross
 8,291,600 B1 10/2012 Huchthausen
 D670,978 S 11/2012 Ogata
 D677,129 S 3/2013 Genatossio et al.
 8,387,263 B1 3/2013 Roberts
 8,484,855 B1 7/2013 King, Sr.
 8,584,366 B2 11/2013 Wedderburn et al.
 D695,981 S 12/2013 Myoung
 8,607,459 B2 12/2013 Geissler
 D708,025 S 7/2014 Cloutier et al.
 D713,220 S 9/2014 Cloutier et al.
 D732,902 S * 6/2015 Ebli D7/653
 D739,186 S * 9/2015 Humphreys D7/653
 2011/0191975 A1 8/2011 Genatossio et al.
 2014/0070555 A1 3/2014 Rose

* cited by examiner

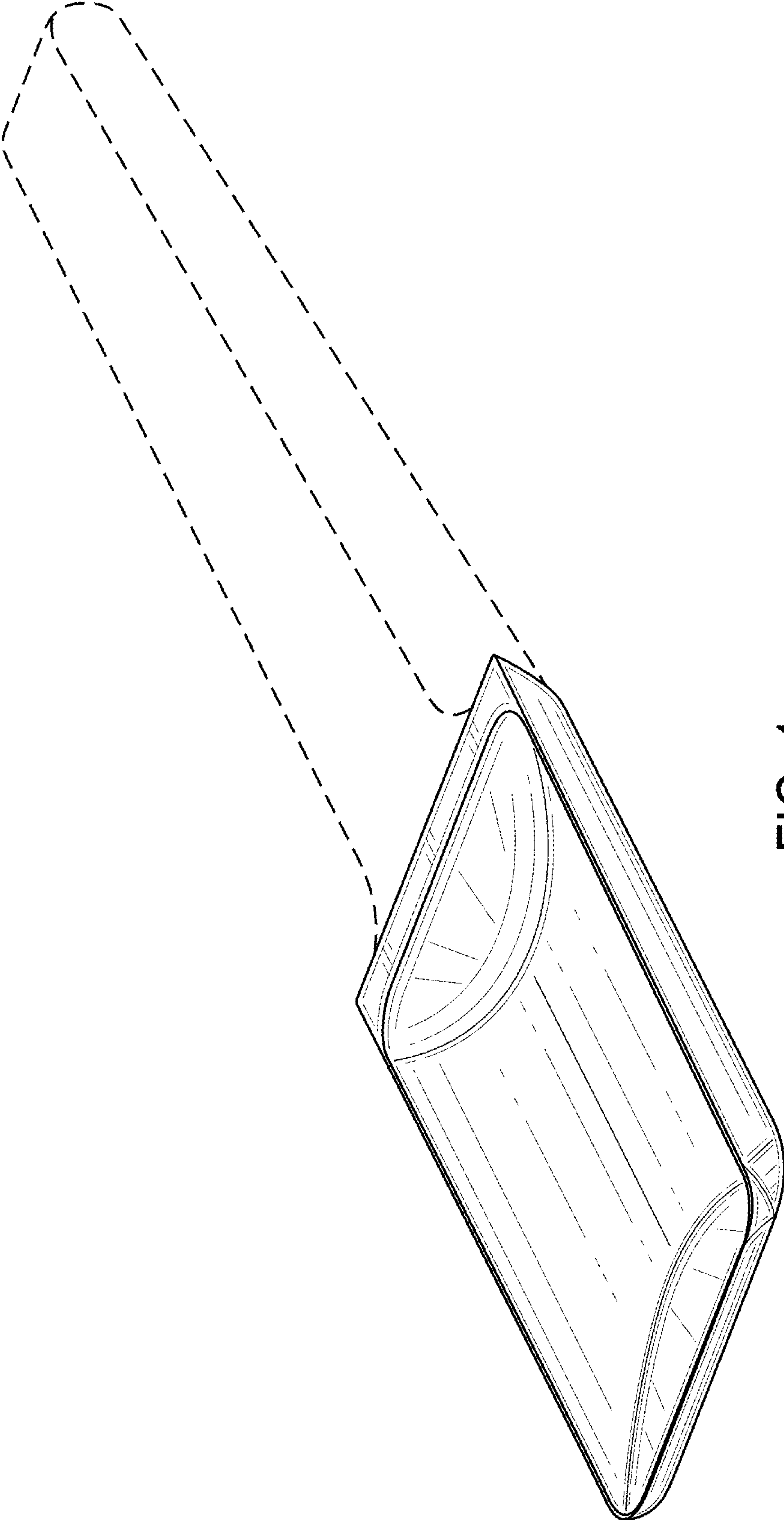


FIG. 1

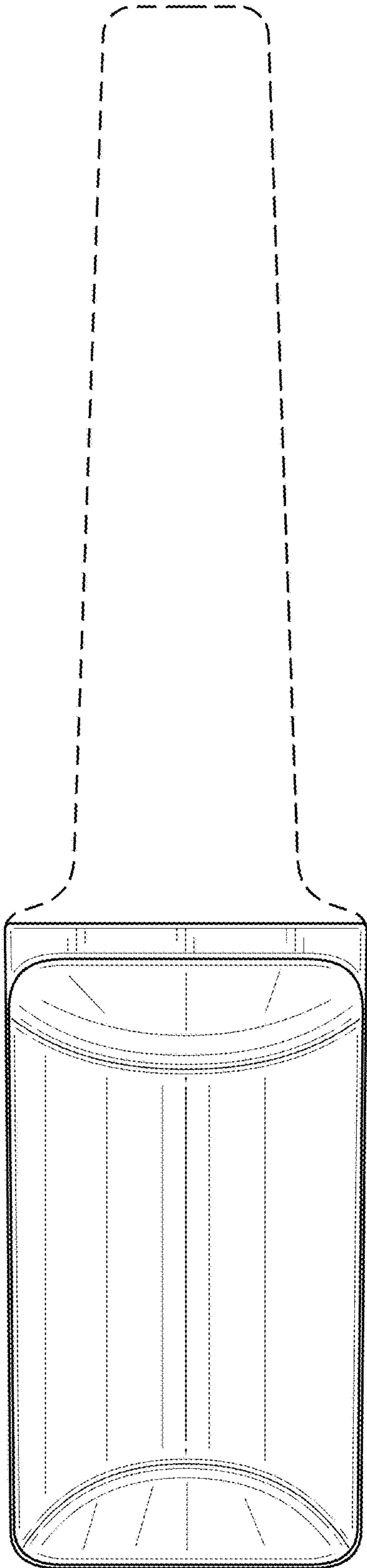


FIG. 2

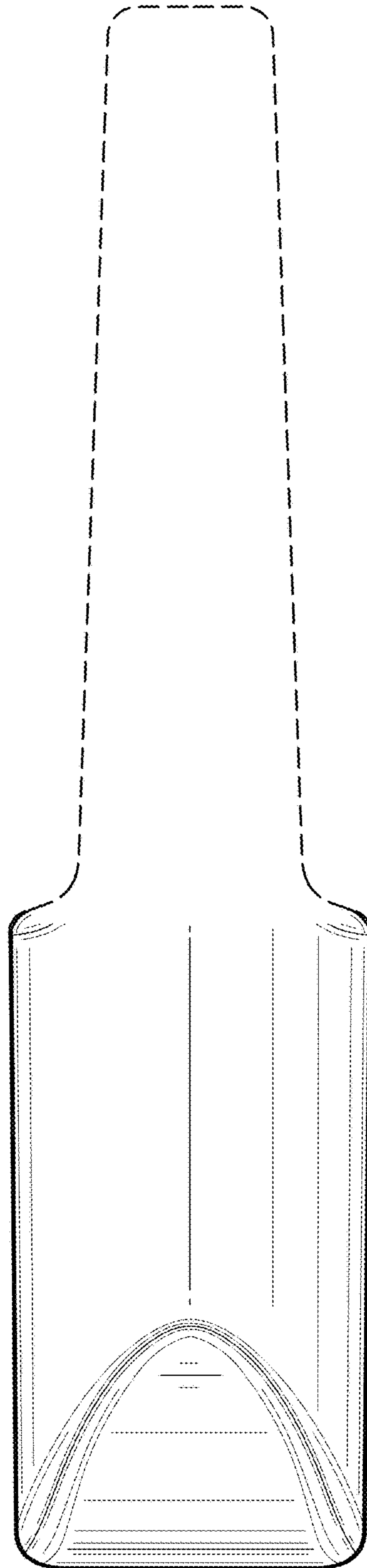


FIG. 3

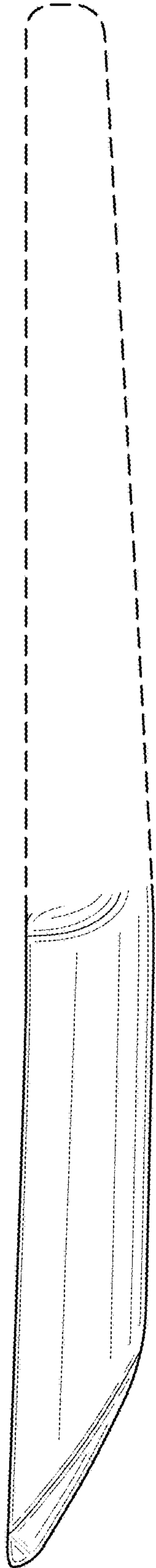


FIG. 4

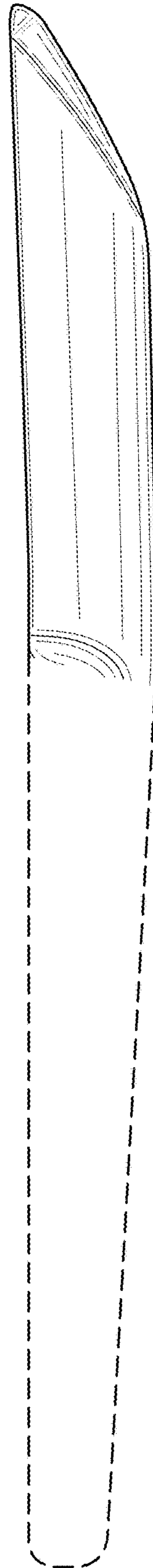


FIG. 5

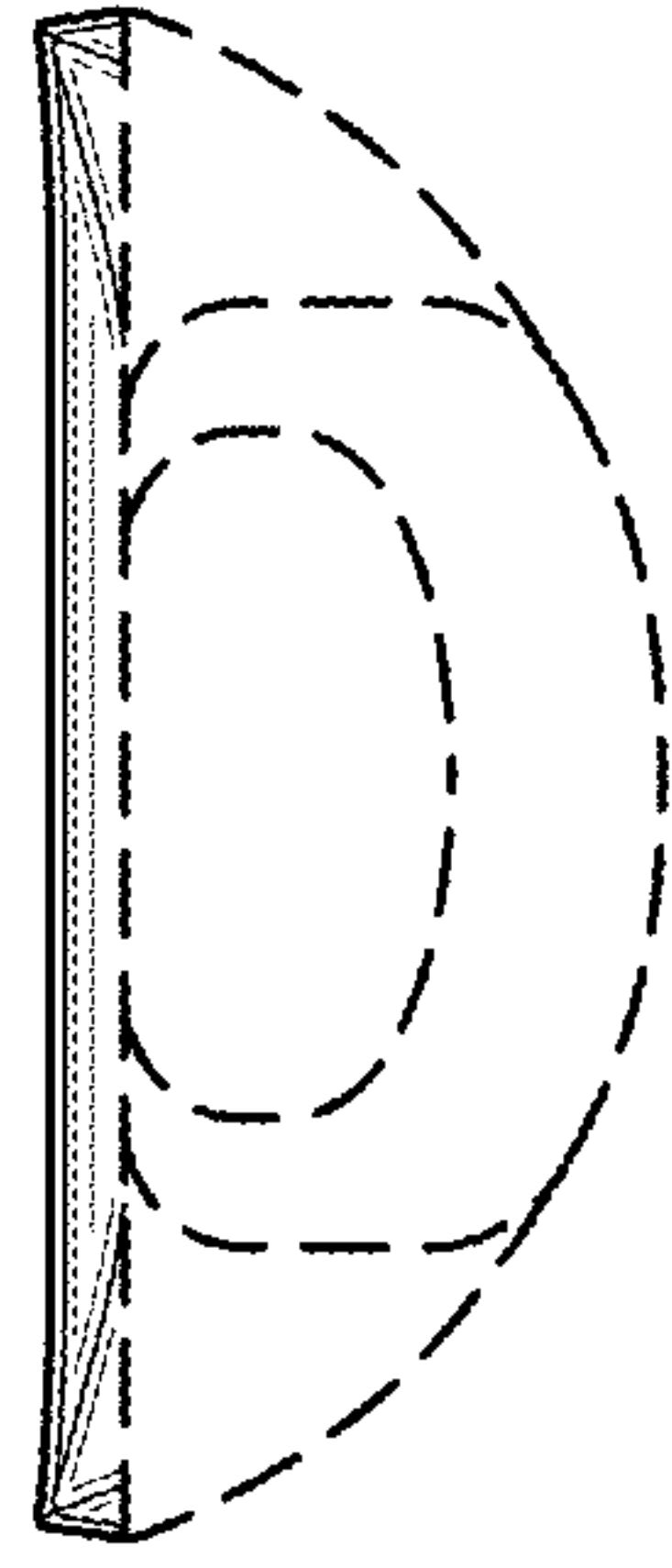


FIG. 7

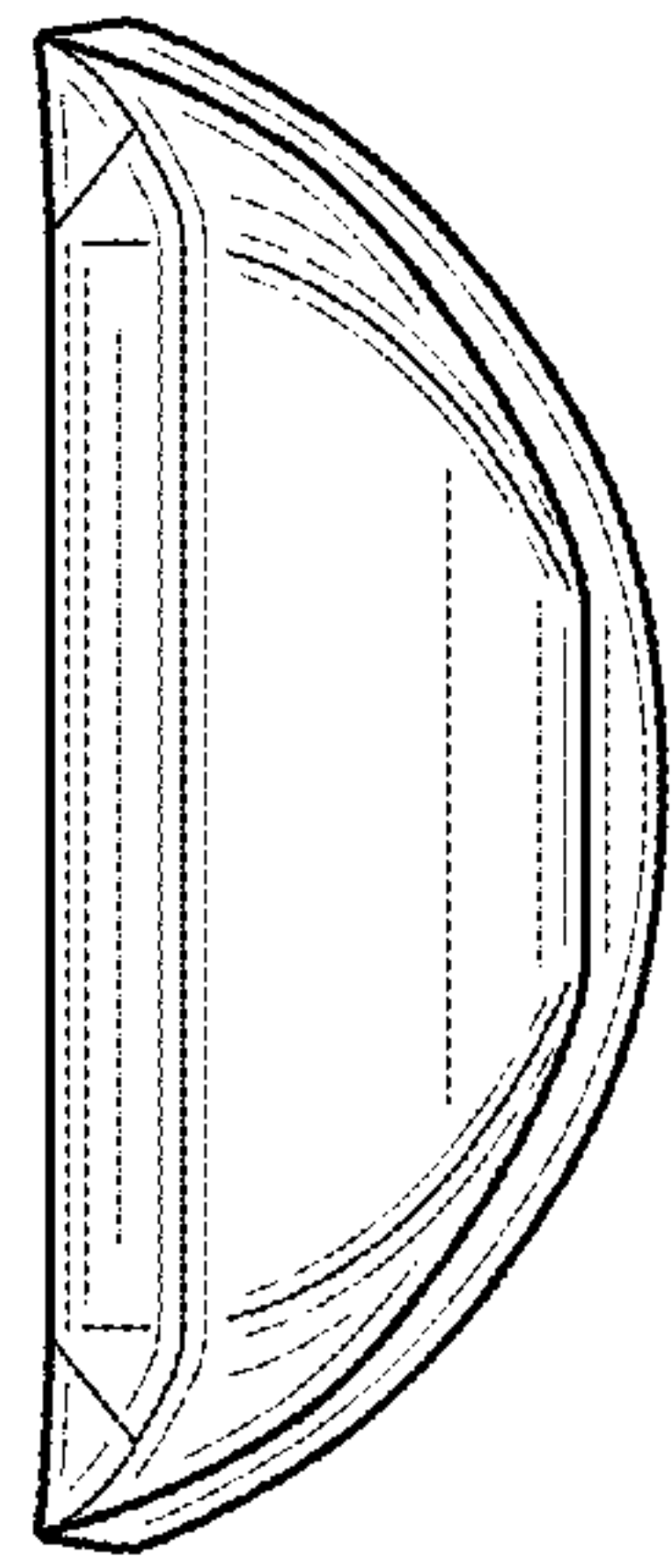


FIG. 6