



US00D782253S

(12) **United States Design Patent**
Boroski et al.

(10) **Patent No.:** **US D782,253 S**
(45) **Date of Patent:** **** Mar. 28, 2017**

(54) **DUAL CHAMBER FOOD JAR**

FOREIGN PATENT DOCUMENTS

(71) Applicants: **Dwayne Boroski**, Lake in the Hills, IL (US); **Marvin Lane**, Wheeling, IL (US)

CN 203195503 U 9/2013
DE 43 02 269 A1 8/1994

(Continued)

(72) Inventors: **Dwayne Boroski**, Lake in the Hills, IL (US); **Marvin Lane**, Wheeling, IL (US)

OTHER PUBLICATIONS

(73) Assignee: **THERMOS L.L.C.**, Schaumburg, IL (US)

Canadian patent application No. 2,886,045 Examination Report mailed Mar. 17, 2016 (5 pages).

(Continued)

(**) Term: **14 Years**

(21) Appl. No.: **29/523,307**

Primary Examiner — Ian Simmons
Assistant Examiner — Shannon Morgan
(74) *Attorney, Agent, or Firm* — Polsinelli PC

(22) Filed: **Apr. 8, 2015**

(51) **LOC (10) Cl.** **07-01**

(52) **U.S. Cl.**
USPC **D7/630; D7/608**

(57) **CLAIM**

The ornamental design for a dual chamber food jar, as shown and described.

(58) **Field of Classification Search**

USPC D7/629, 602, 630, 538–542, 601, 605, D7/606, 607, 608; D9/415–419, D9/424–432, 516, 519, 520, 521, 522, D9/529, 530, 537, 538, 539, 540, 541, D9/542, 543, 549, 559, 575
CPC .. B65D 1/26; B65D 43/0206; B65D 43/0214; B65D 43/00; B65D 1/00; B65D 1/22; B65D 1/32; B65D 1/14; B65D 1/24; B65D 1/34; B65D 3/00; B65D 3/02; B65D 3/28; B65D 5/00; B65D 5/0085; B65D 5/009; B65D 5/18; B65D 7/00; B65D 7/02;

(Continued)

DESCRIPTION

FIG. 1 is a perspective view of a dual chamber food jar showing our new design;
FIG. 2 is a front elevational view thereof;
FIG. 3 is a rear elevational view thereof;
FIG. 4 is a left side elevational view thereof;
FIG. 5 is a right side elevational view thereof;
FIG. 6 is a top plan view thereof;
FIG. 7 is a bottom plan view thereof;
FIG. 8 is a perspective view of the dual chamber food jar shown in an open position thereof;
FIG. 9 is a left side elevational view thereof; and,
FIG. 10 is a right side elevational view thereof.
The broken lines immediately adjacent to claimed subject matter shown in FIGS. 1, 4, 5, 7, 8, 9, and 10 represent portions of the dual chamber food jar that form no part of the claimed design.

(56) **References Cited**

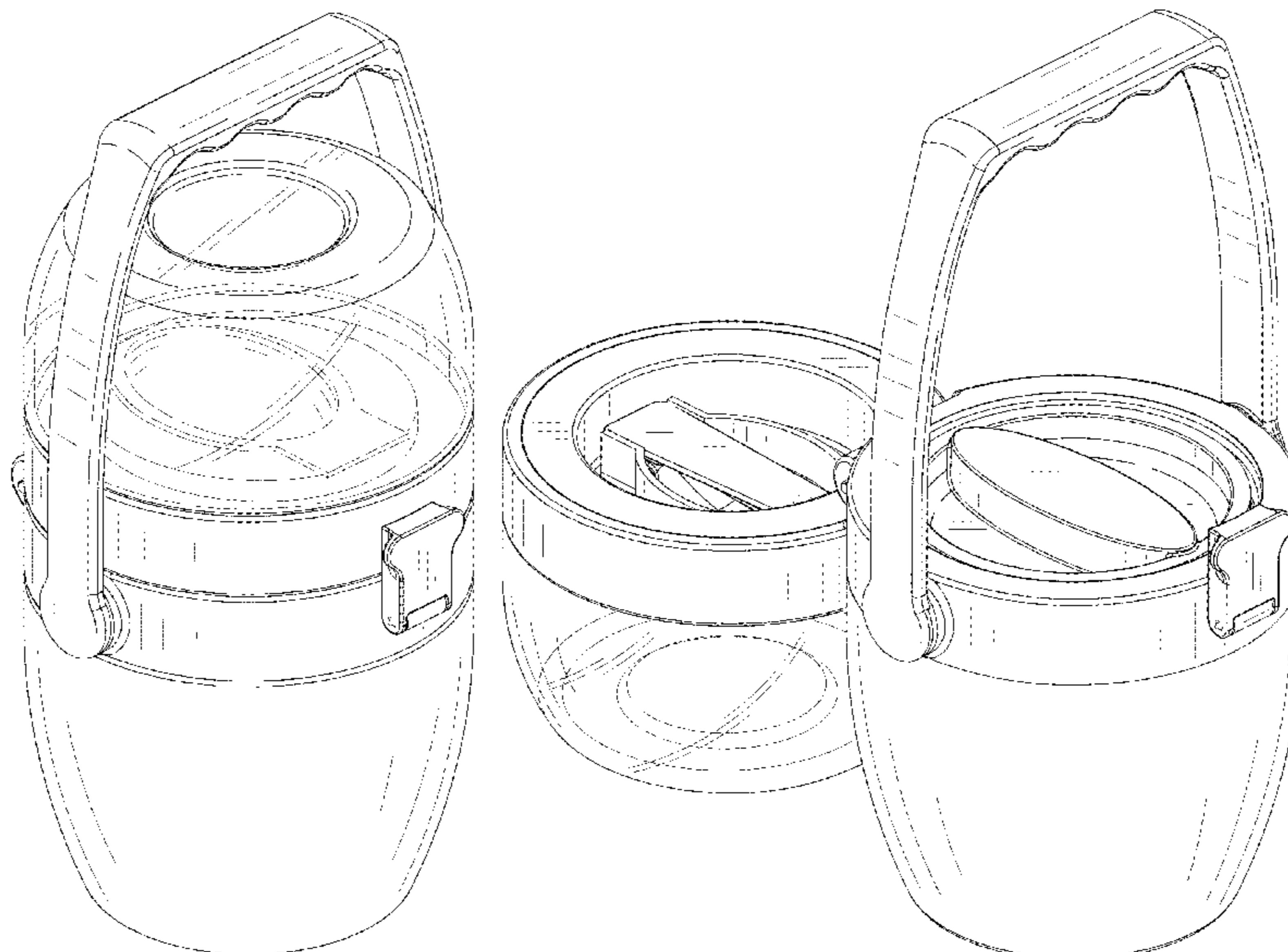
U.S. PATENT DOCUMENTS

1,390,784 A * 9/1921 Herrington B65D 7/12 220/4.24

1,959,262 A 5/1934 Colabrese

(Continued)

1 Claim, 7 Drawing Sheets



(58) **Field of Classification Search**

CPC B65D 11/00; B65D 11/02; B65D 11/10;
 B65D 39/00; B65D 25/38; B65D 11/20;
 B65D 77/065; B65D 2209/00; B65D
 2/08; B65D 75/527; B65D 75/5883;
 B65D 75/566; B65D 43/163; B65D
 2543/00231; B65D 51/24; B65D 33/16;
 B65D 33/1666; A47J 47/02; A47J 47/08;
 A47J 47/10; A47G 19/00; A47G 19/32;
 A47G 23/00

See application file for complete search history.

(56) **References Cited**

U.S. PATENT DOCUMENTS

D122,762 S * 10/1940 Arnold D7/603
 2,328,543 A 9/1943 Bauman
 D157,637 S * 3/1950 Shawver D7/608
 D184,005 S * 12/1958 Clark, Jr. D7/608
 D189,320 S * 11/1960 Fellnagel D7/313
 D193,640 S * 9/1962 Deaver D7/608
 3,070,253 A 12/1962 Brown
 D200,979 S * 4/1965 Piker D7/608
 3,245,565 A 4/1966 Zeppenfeld et al.
 D207,466 S * 4/1967 Phillips D7/608
 D208,378 S * 8/1967 Waddington D7/608
 D216,091 S 11/1969 Lawton
 D231,764 S * 6/1974 Roche D7/313
 D233,641 S * 11/1974 Roche D7/608
 D246,686 S 12/1977 Boldt
 D248,440 S * 7/1978 Bryan D7/313
 D252,438 S 7/1979 Cannon
 D259,012 S 4/1981 Harris
 D261,088 S * 10/1981 Akimov D7/608
 D262,856 S * 2/1982 MacTavish D7/320
 4,336,883 A 6/1982 Krug et al.
 D272,223 S * 1/1984 Daenen D7/629
 4,537,044 A * 8/1985 Putnam A45C 11/20
 220/902
 D293,409 S * 12/1987 Seike D7/313
 D369,723 S 5/1996 McArthur et al.
 5,671,846 A 9/1997 Frank
 D391,450 S * 3/1998 Rausch D7/605
 5,752,464 A 5/1998 King et al.
 5,823,136 A 10/1998 Zarski
 D405,654 S 2/1999 Moran
 D433,631 S 11/2000 Walsh
 D446,122 S 8/2001 Weinstein et al.

6,443,096 B1 9/2002 Prydie
 7,066,347 B2 6/2006 Slovak et al.
 7,066,949 B2 6/2006 Gammons et al.
 D530,141 S * 10/2006 Wilgus D7/313
 7,263,949 B1 9/2007 Seaford
 D557,076 S 12/2007 Wahl
 D557,994 S * 12/2007 Wahl D7/608
 D560,100 S 1/2008 Wang
 D560,101 S 1/2008 Wang
 D574,668 S * 8/2008 Kelly D22/136
 D596,460 S 7/2009 Nezu
 D619,418 S 7/2010 Nezu et al.
 D622,089 S * 8/2010 Daniel D7/313
 D641,594 S * 7/2011 Huang D7/608
 D651,050 S 12/2011 Goshi
 D653,086 S 1/2012 Morales
 D660,657 S * 5/2012 Picozza D7/629
 D679,959 S * 4/2013 Lane D7/615
 D702,505 S * 4/2014 Nakatani D7/605
 D710,653 S * 8/2014 Goto D7/608
 D729,019 S 5/2015 Kilduff et al.
 D734,634 S * 7/2015 Moran, Sr. D7/306
 D741,115 S * 10/2015 Lane D7/608
 D744,290 S 12/2015 Endo
 9,211,040 B2 * 12/2015 Lane A47J 47/02
 9,211,090 B2 12/2015 Baker, Jr.
 D748,949 S 2/2016 Long, Sr. et al.
 D755,019 S 5/2016 Kent et al.
 D759,432 S 6/2016 Harris
 D766,668 S * 9/2016 Garcia D7/608
 D769,046 S * 10/2016 Beckman B65D 25/28
 D7/300
 2012/0312832 A1 * 12/2012 Lane B65D 47/066
 220/833
 2014/0091097 A1 4/2014 Lane
 2015/0284138 A1 10/2015 Lane et al.

FOREIGN PATENT DOCUMENTS

DE 20 2013 010997 U1 1/2014
 EP 2 926 680 A2 7/2015
 WO 2011 162621 A1 11/2011

OTHER PUBLICATIONS

European patent application No. 15161107.6 Extended Search Report (9 pages).

* cited by examiner

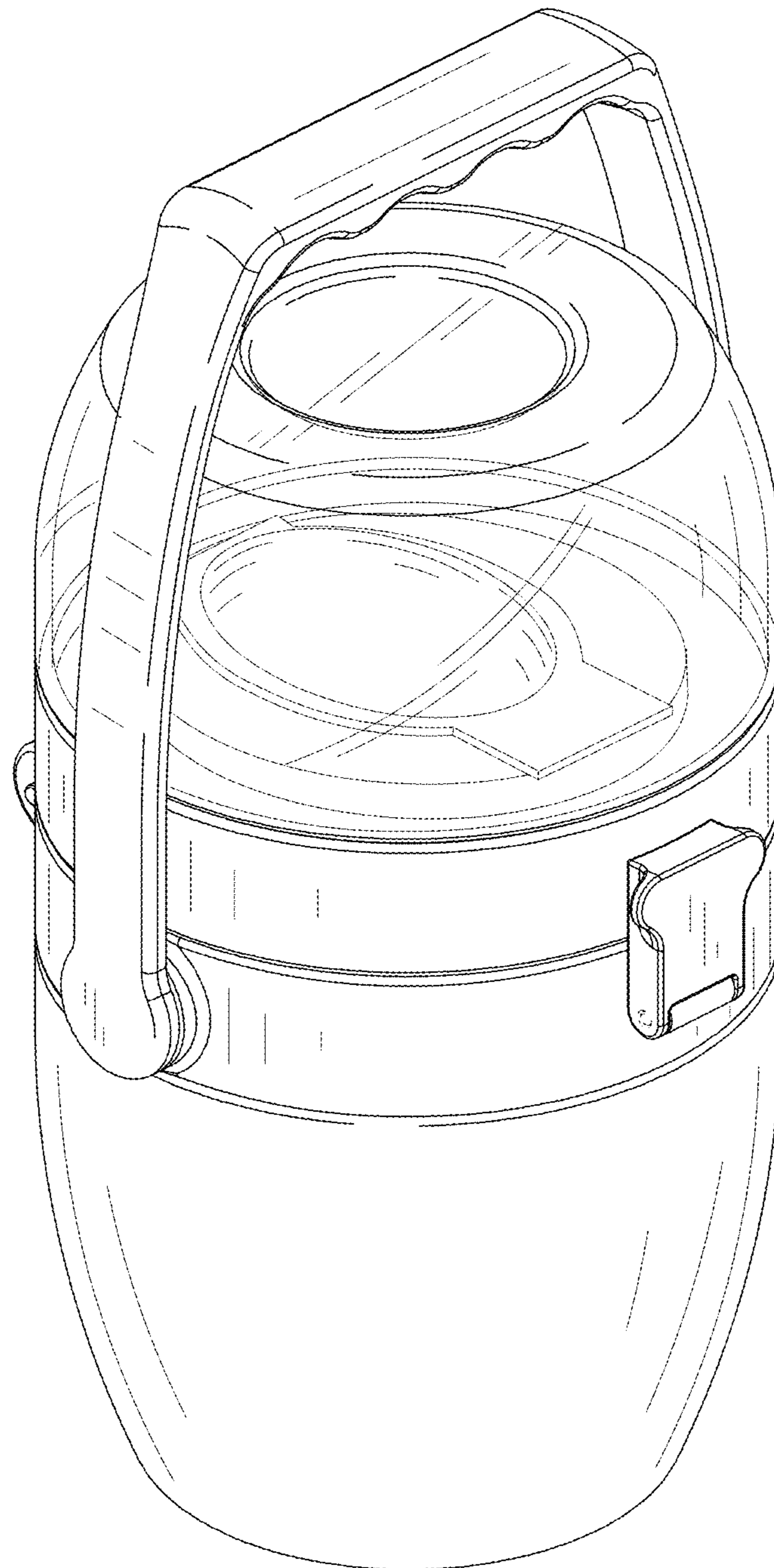


FIG. 1

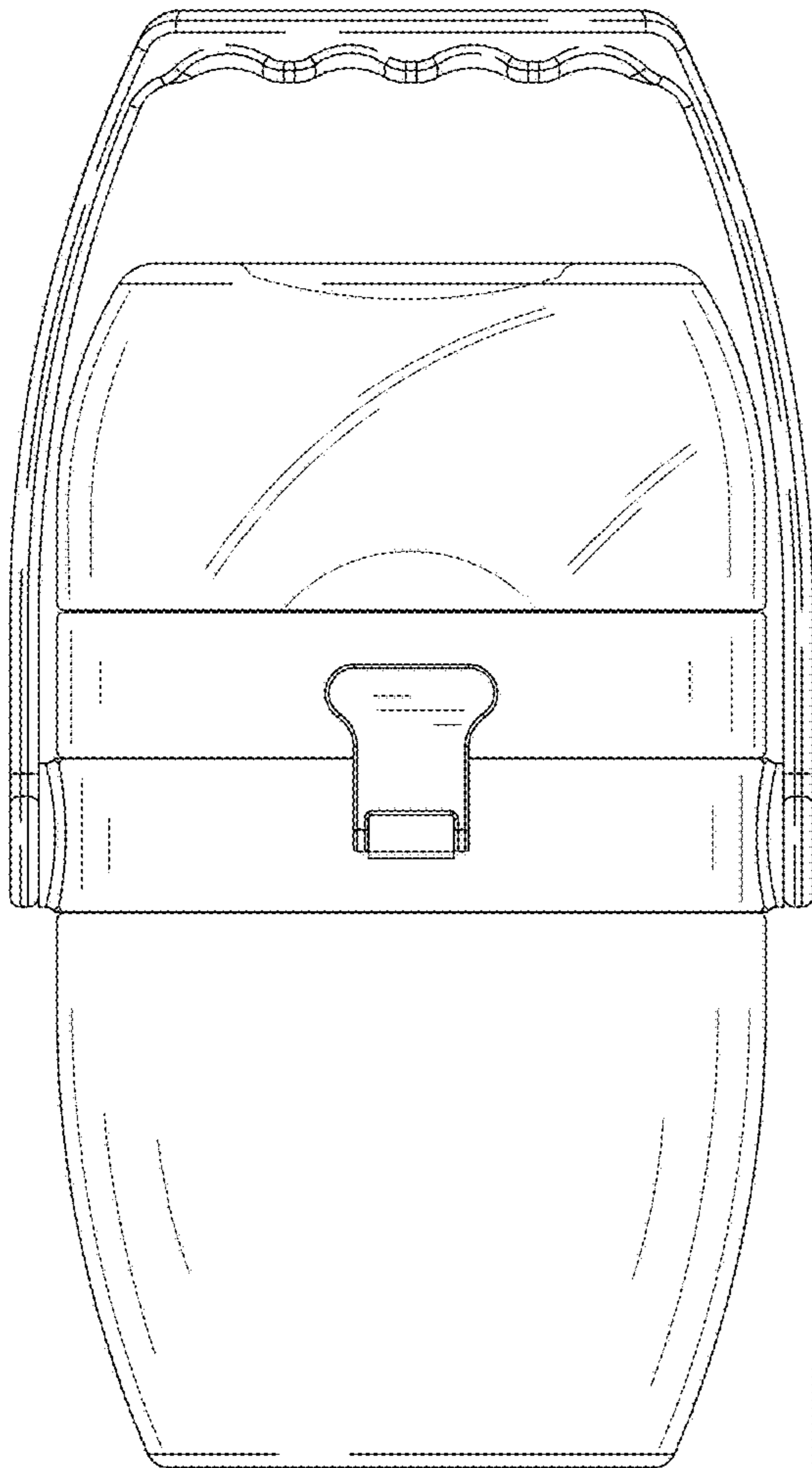


FIG. 2

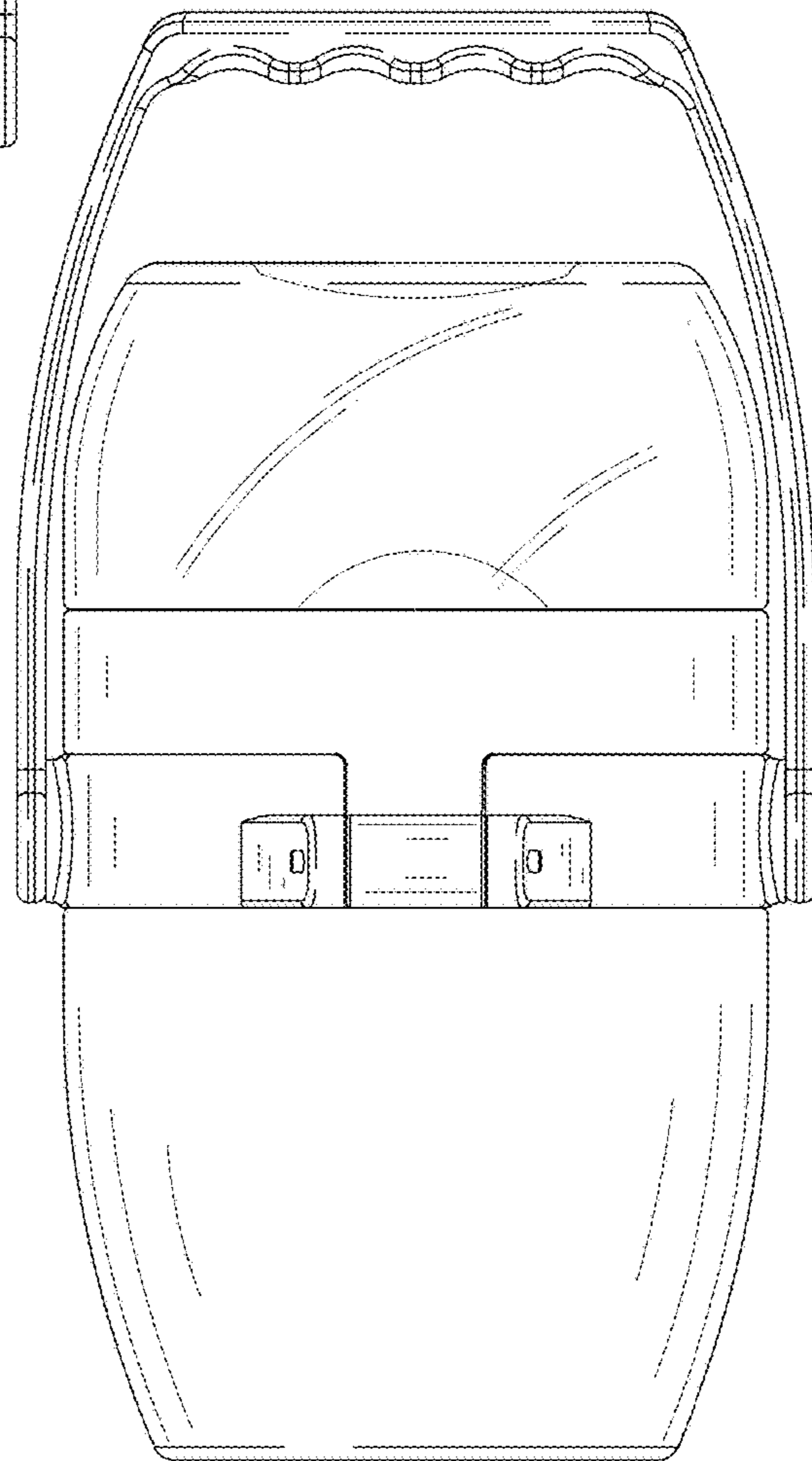


FIG. 3

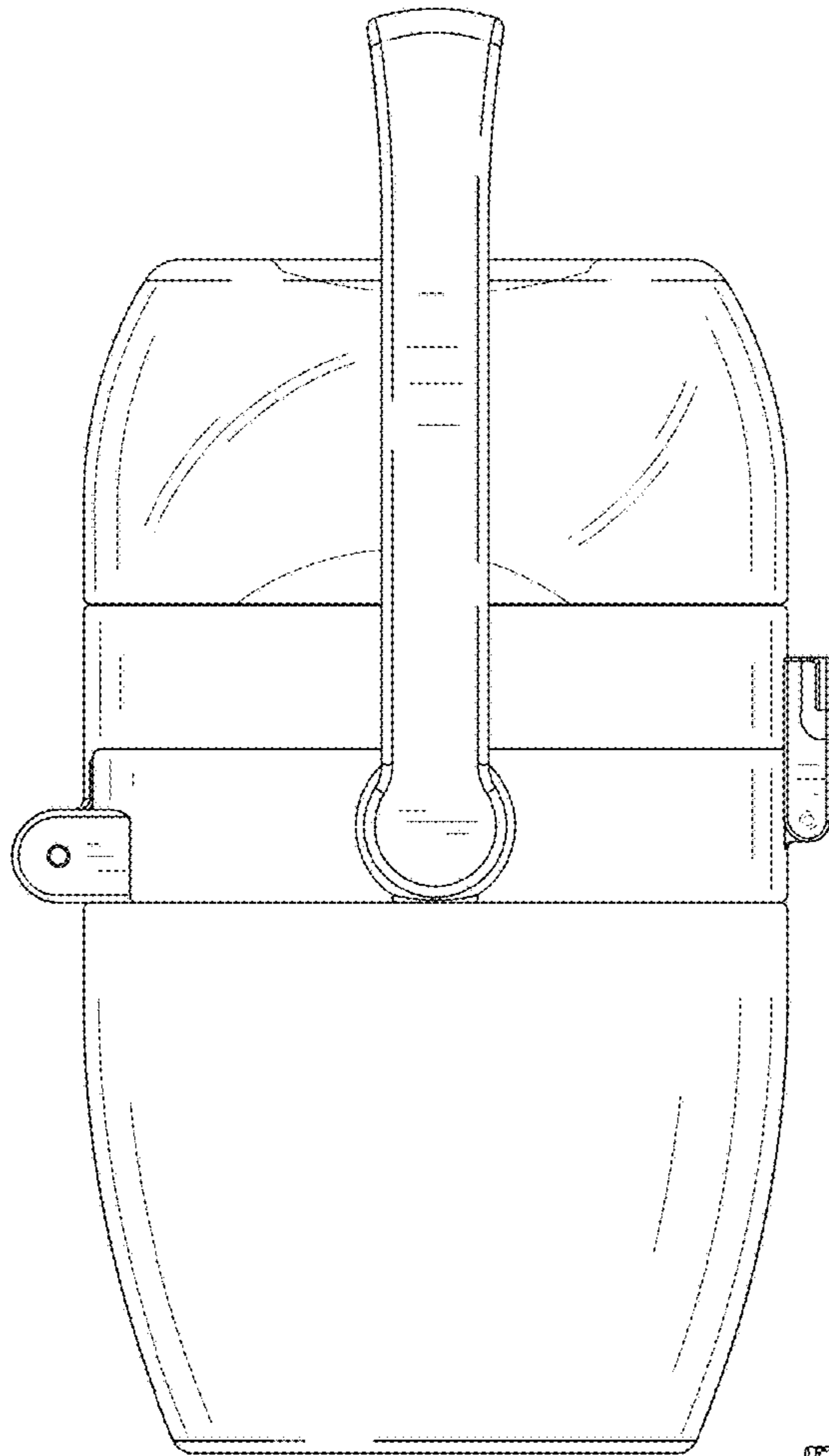


FIG. 4

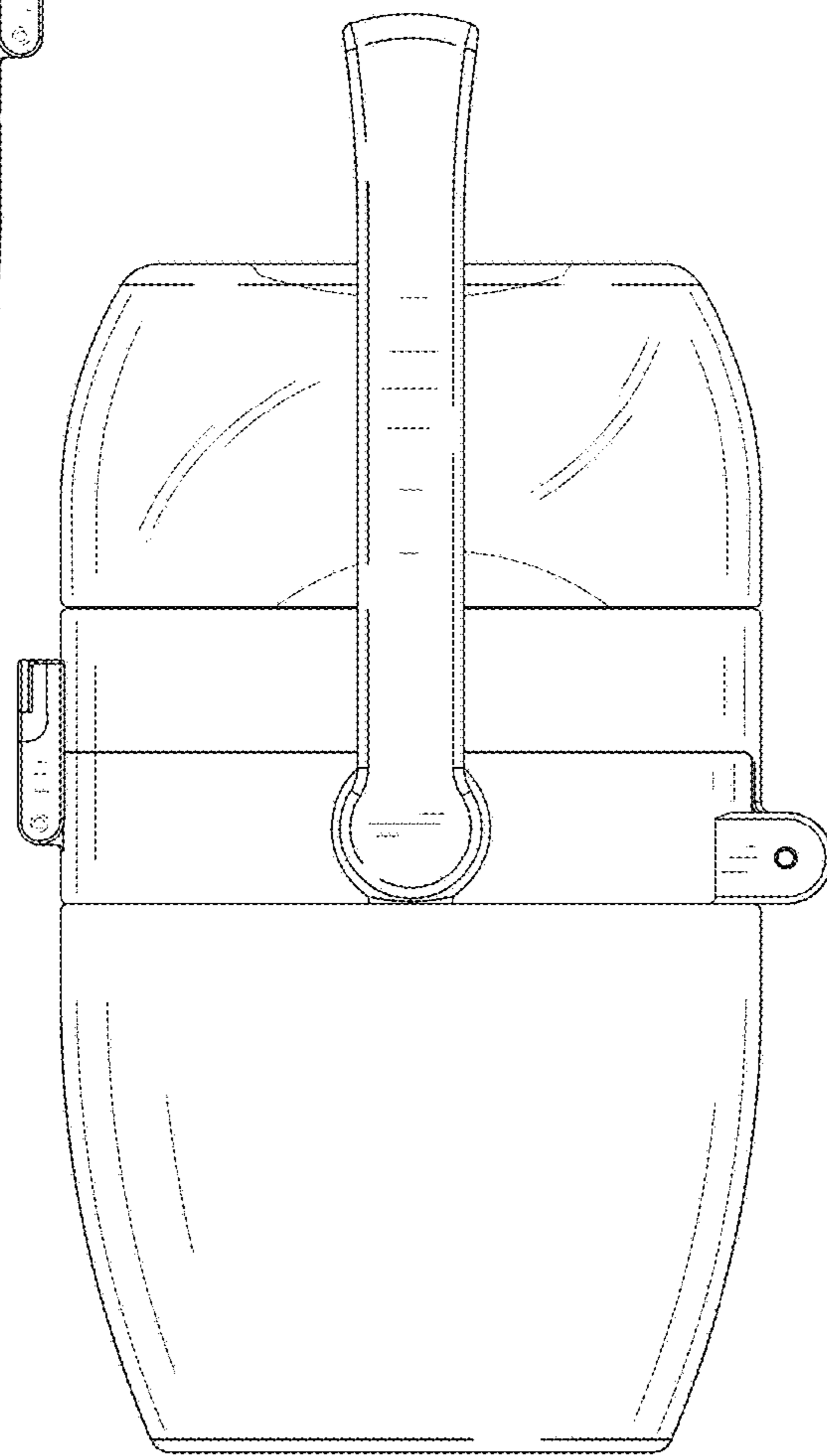


FIG. 5

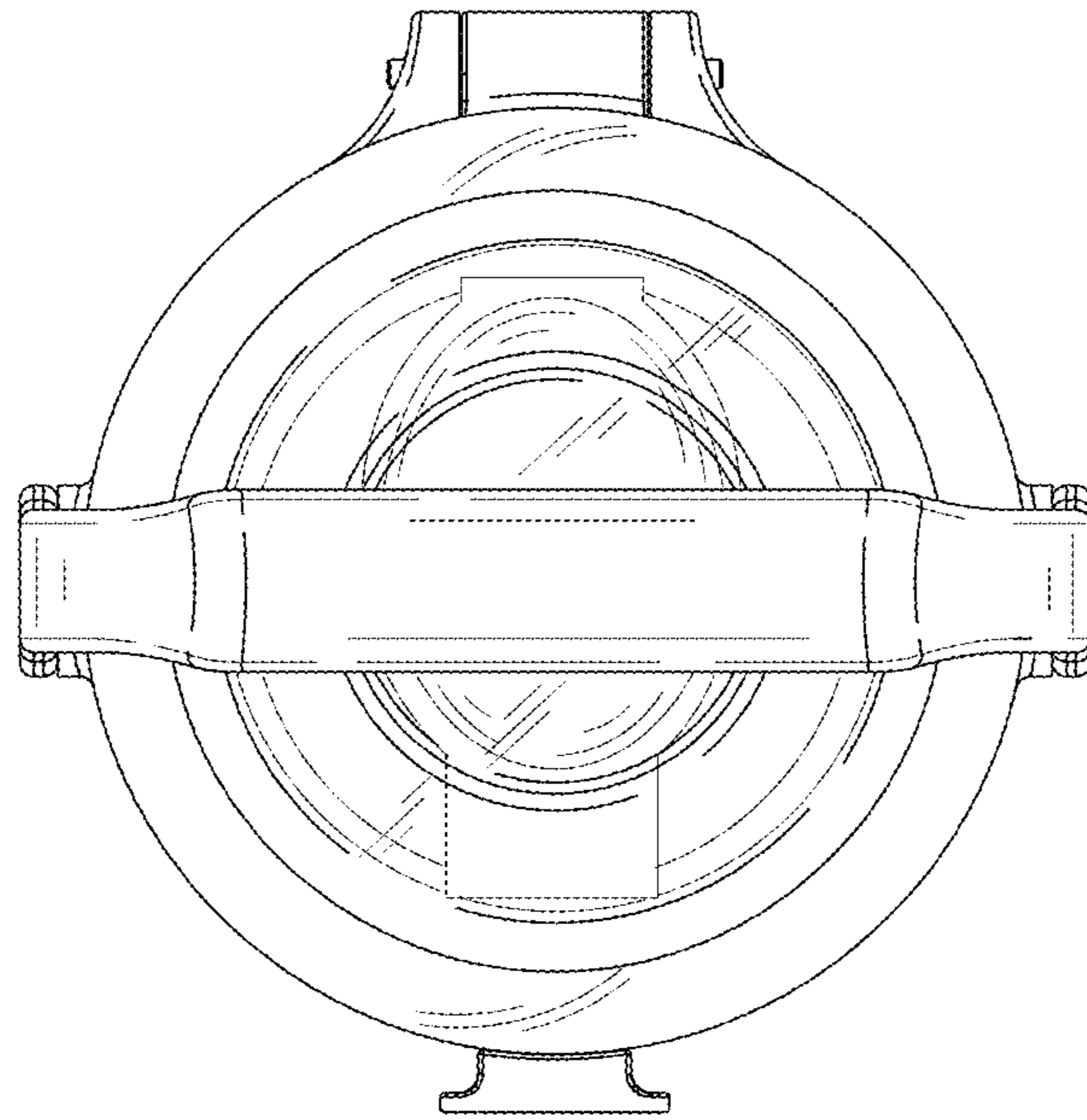


FIG. 6

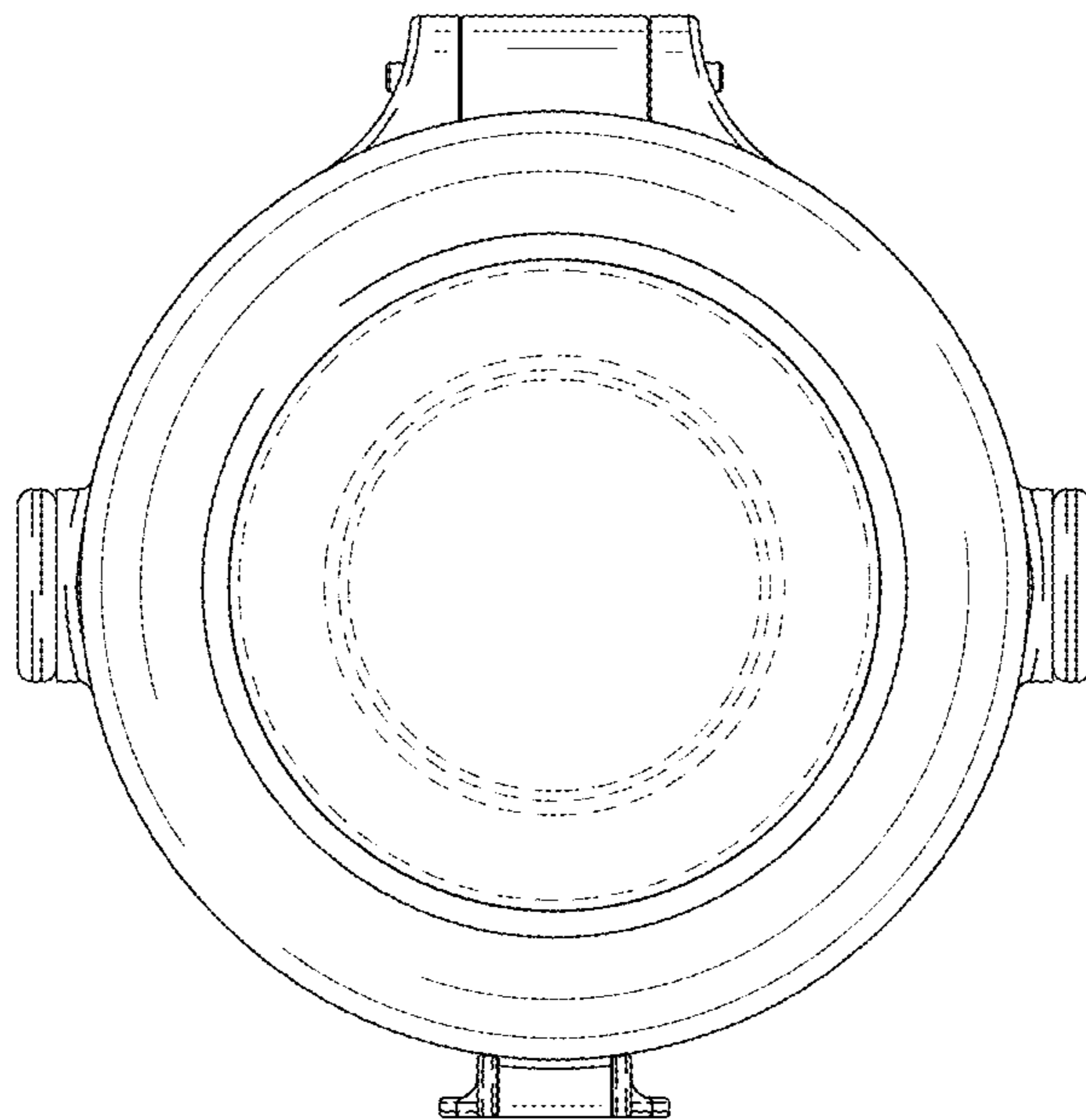


FIG. 7

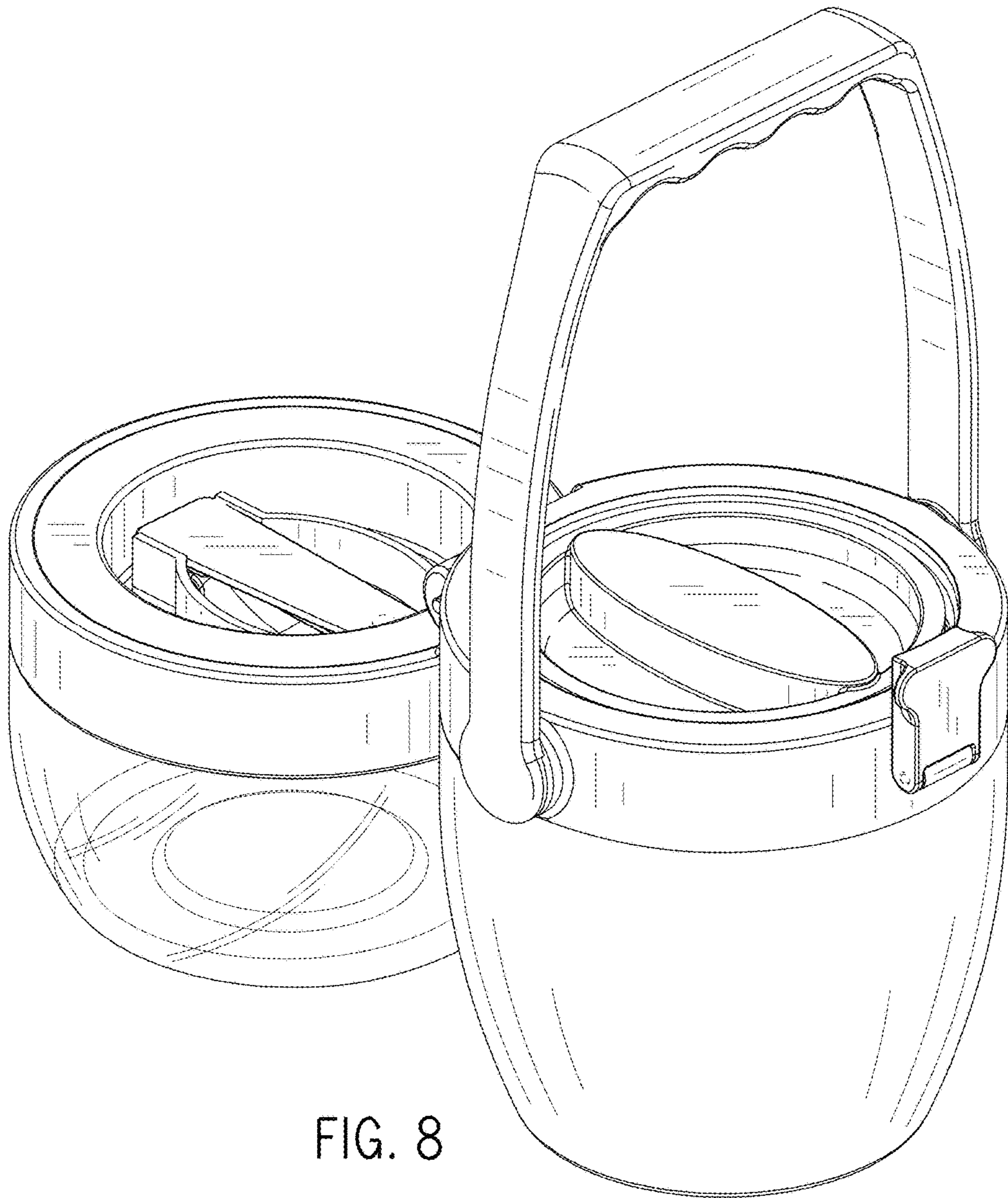


FIG. 8

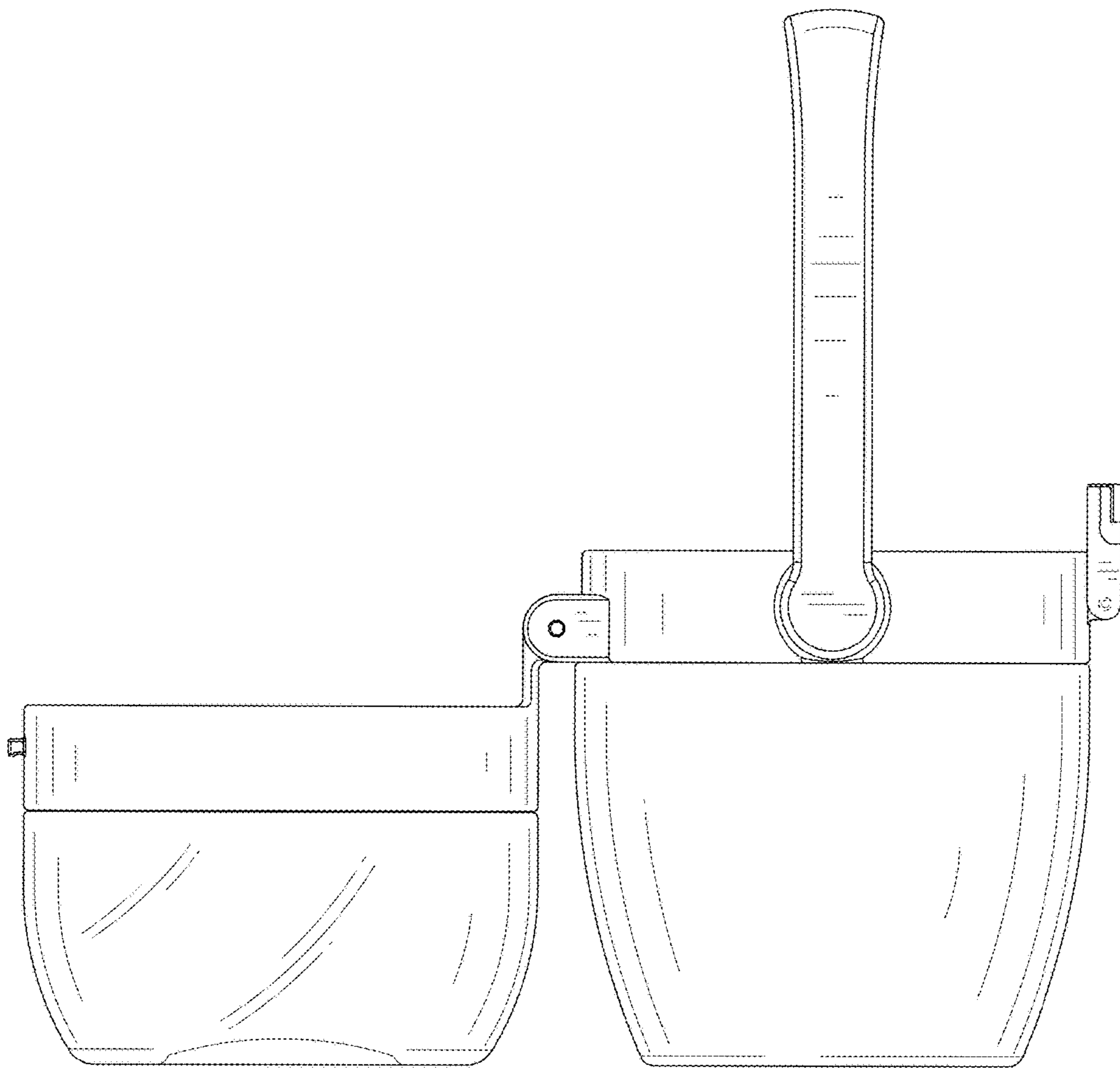


FIG. 9

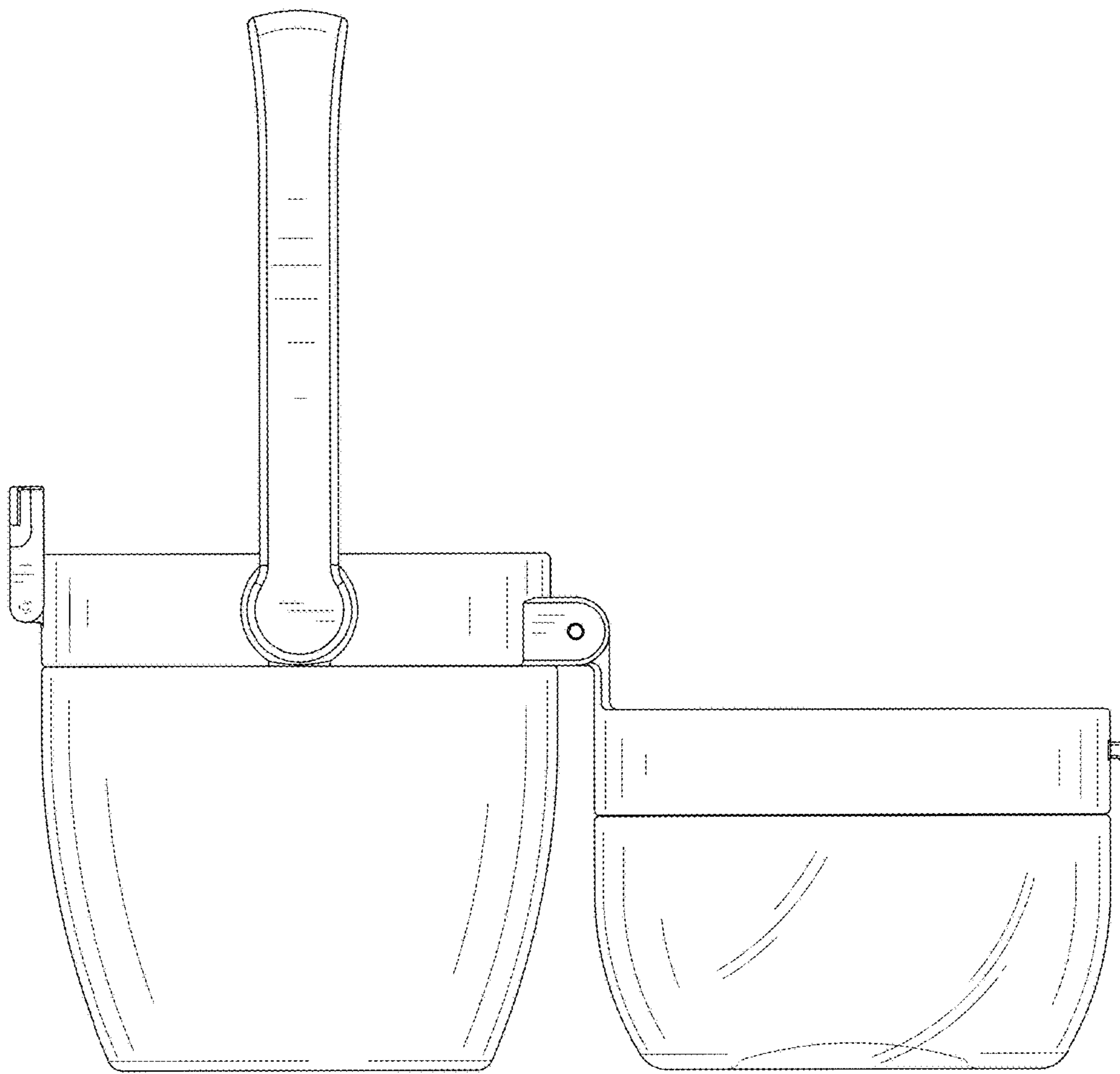


FIG. 10