



US00D782252S

(12) **United States Design Patent**  
**Delgado Carmona**

(10) **Patent No.:** **US D782,252 S**  
(45) **Date of Patent:** **\*\* Mar. 28, 2017**

- (54) **SNACK CUP**
- (71) Applicant: **Dart Industries Inc.**, Orlando, FL (US)
- (72) Inventor: **Sara L. Delgado Carmona**, Orlando, FL (US)
- (73) Assignee: **Dart Industries Inc.**, Orlando, FL (US)
- (\*\*) Term: **15 Years**
- (21) Appl. No.: **29/547,234**
- (22) Filed: **Dec. 2, 2015**
- (51) **LOC (10) Cl.** ..... **07-01**
- (52) **U.S. Cl.**  
USPC ..... **D7/628**

- (58) **Field of Classification Search**  
USPC ..... D7/628, 601, 602, 604, 605, 606, 608, D7/612, 613, 614, 615, 705, 706, 707, D7/708, 619.1, 619.2, 622, 623, D7/624.1-624.3, 625, 709, 630, 640, 639, D7/500, 505, 506, 507, 509, 510, 511, D7/514, 515, 516, 517, 519, 533, 539, D7/540, 542, 543, 544, 545; D9/600, D9/651, 601, 605, 607, 500, 516, 521; D3/270, 271; 206/457  
CPC .. F25D 3/08; B65D 25/30; B65D 7/24; B65D 81/3876; B65D 81/3879; B65D 23/104; B65D 81/38; B65D 81/3886; B65D 81/3883; B65D 81/3881; A45C 11/20; A47G 23/0216; A47G 19/2288; A45F 2200/0583; A61F 7/10; B31D 5/0086  
See application file for complete search history.

- (56) **References Cited**  
U.S. PATENT DOCUMENTS  
D86,650 S \* 3/1932 Webster ..... D9/607  
D111,793 S \* 10/1938 Myers ..... D9/607

- D111,989 S \* 11/1938 Neumann ..... D9/607
- D115,652 S \* 7/1939 Hendrickson ..... D9/607
- D126,737 S \* 4/1941 Vivaudou et al. .... D9/607
- D126,807 S \* 4/1941 Vivaudou ..... D9/607
- D139,094 S \* 10/1944 Ganz ..... D7/613
- D139,098 S \* 10/1944 Ganz ..... D7/613
- D178,333 S \* 7/1956 Barradas ..... D7/511
- D237,839 S \* 11/1975 Apilado ..... D21/654
- D249,929 S \* 10/1978 Russert ..... D9/607
- D277,067 S \* 1/1985 Ostergard ..... D7/302
- D306,692 S \* 3/1990 Ferrero ..... D21/600
- D306,823 S \* 3/1990 Ferrero ..... D21/596
- D312,557 S \* 12/1990 Maddocks ..... D19/113
- D321,825 S \* 11/1991 Schlesselman ..... D9/605
- D333,976 S \* 3/1993 Gozzini ..... D7/613

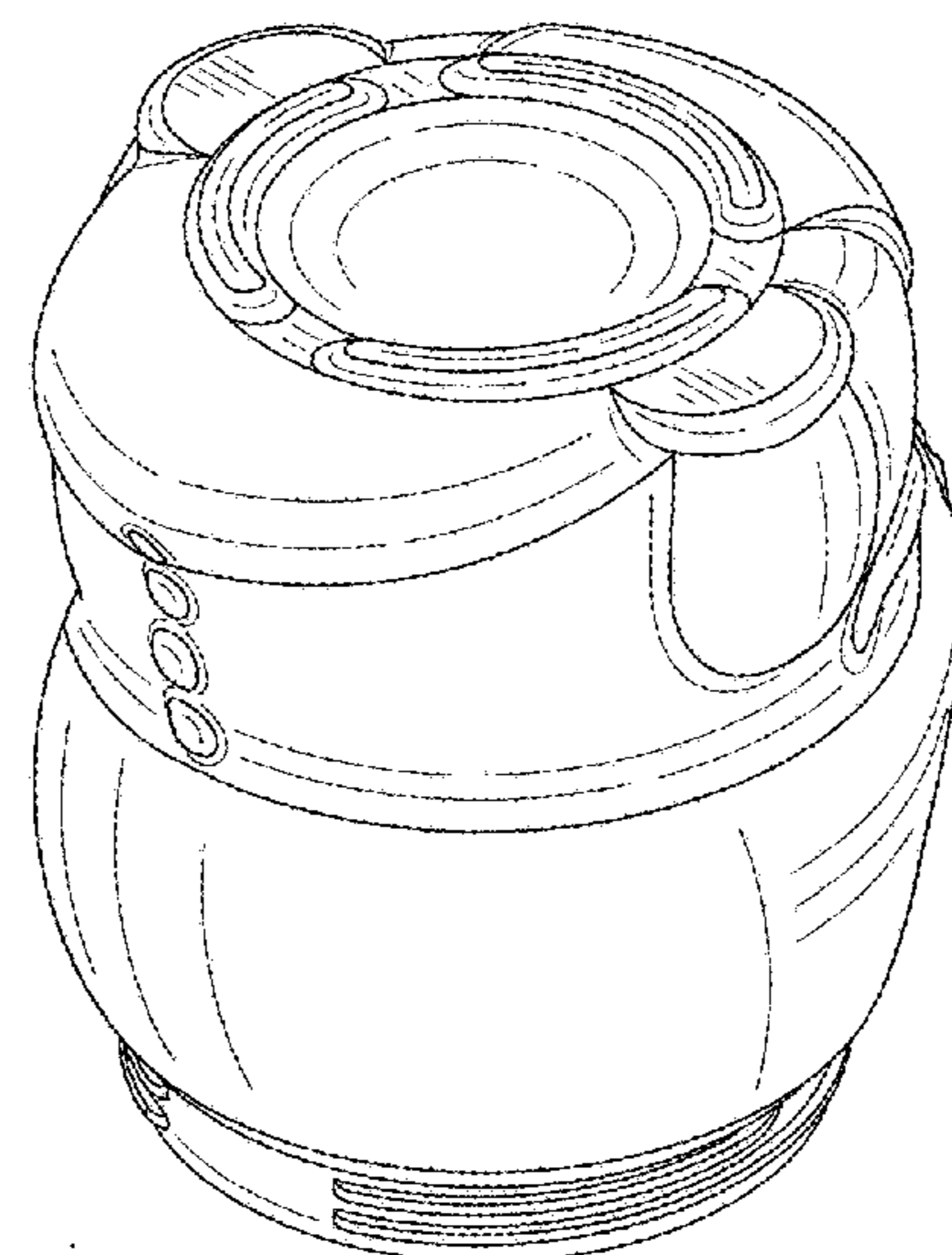
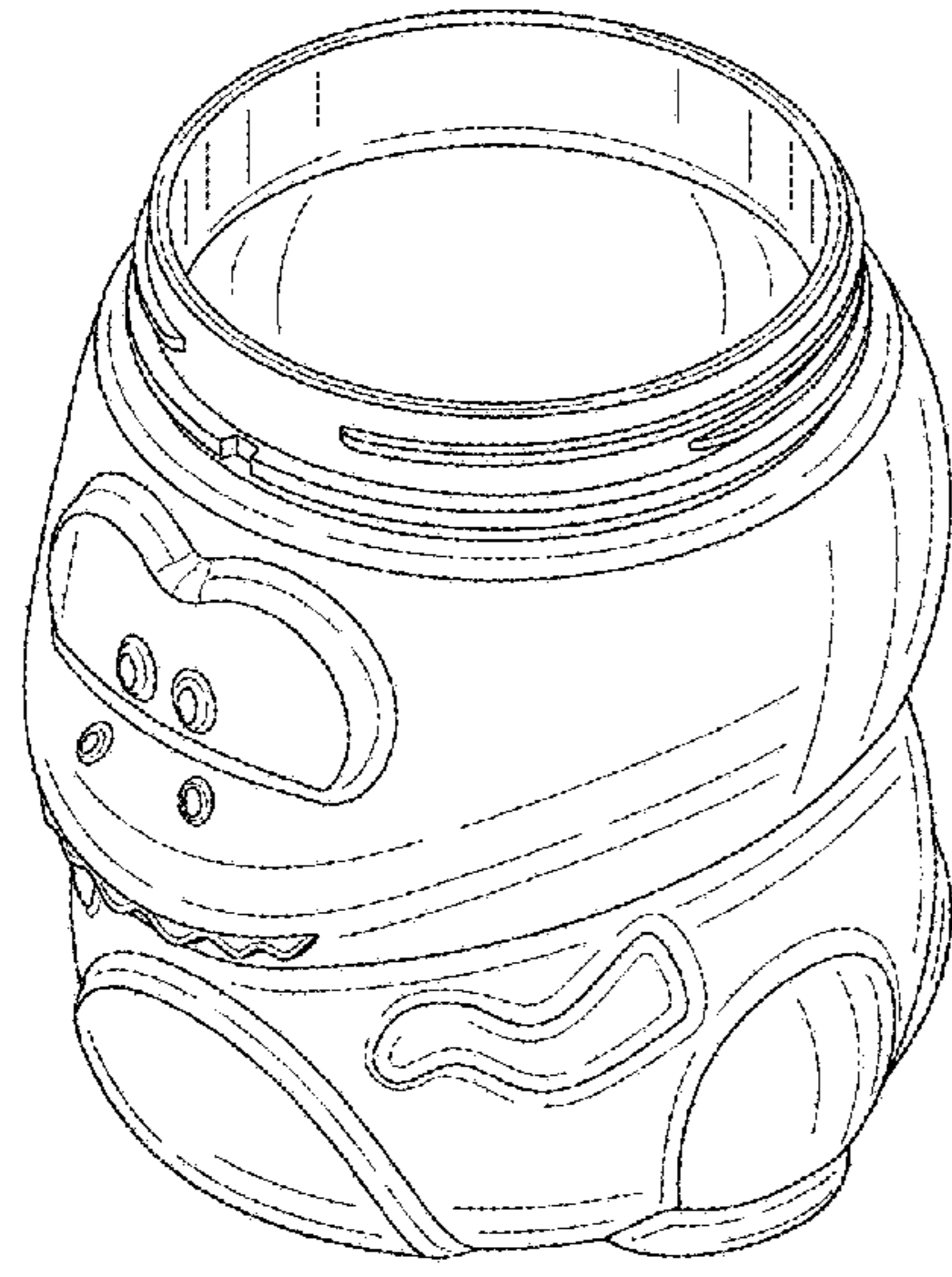
(Continued)

*Primary Examiner* — Ian Simmons  
*Assistant Examiner* — Shannon Morgan  
(74) *Attorney, Agent, or Firm* — Taylor J. Ross

(57) **CLAIM**  
The ornamental design for a snack cup, as shown and described.

**DESCRIPTION**  
FIG. 1 is a top, front and left side perspective view of a snack cup showing my new design;  
FIG. 2 is a bottom, front and left side perspective view thereof;  
FIG. 3 is a top plan view thereof;  
FIG. 4 is a bottom plan view thereof;  
FIG. 5 is a front elevation view thereof;  
FIG. 6 is a rear elevation view thereof;  
FIG. 7 is a left side elevation view thereof; and,  
FIG. 8 is a right side elevation view thereof.  
The broken lines shown in FIG. 3 represent portions of the snack cup that form no part of the claimed design.

**1 Claim, 4 Drawing Sheets**



(56)

References Cited

U.S. PATENT DOCUMENTS

D342,018 S \* 12/1993 Gozzini ..... D7/613  
 D342,020 S \* 12/1993 Orosz ..... D9/607  
 D351,530 S \* 10/1994 Petrsek ..... D7/515  
 5,379,911 A \* 1/1995 Goto ..... A45C 3/00  
 206/457  
 D358,298 S \* 5/1995 Brown ..... D7/510  
 D358,299 S \* 5/1995 Brown ..... D7/510  
 D358,300 S \* 5/1995 Brown ..... D7/510  
 D358,301 S \* 5/1995 Brown ..... D7/510  
 D361,787 S \* 8/1995 Melzian ..... D19/82  
 5,614,275 A \* 3/1997 Chan ..... A47G 19/2227  
 220/574  
 5,632,377 A \* 5/1997 Ferrero ..... A23G 3/50  
 206/457  
 D379,739 S \* 6/1997 Song ..... D7/533  
 D416,792 S \* 11/1999 Indelicato ..... D9/607  
 6,073,798 A \* 6/2000 Rosenhain ..... A47G 19/2227  
 206/457

D436,525 S \* 1/2001 Lin ..... D9/601  
 D460,914 S \* 7/2002 Yourist ..... D9/607  
 D477,749 S \* 7/2003 Anderson ..... D7/515  
 D503,246 S \* 3/2005 Shih ..... D21/600  
 D504,052 S \* 4/2005 Wang ..... D7/628  
 D528,430 S \* 9/2006 Considine ..... D7/628  
 D620,764 S \* 8/2010 Lessells ..... D7/605  
 D671,419 S \* 11/2012 Bourguignon ..... D9/607  
 D690,995 S \* 10/2013 Franco ..... D7/515  
 D697,421 S \* 1/2014 Glaister ..... D9/601  
 D708,958 S \* 7/2014 Serras ..... D9/601  
 D712,272 S \* 9/2014 Veletakos ..... D9/601  
 D713,260 S \* 9/2014 Delgado Carmona ..... D9/601  
 D716,104 S \* 10/2014 Lessells ..... D7/606  
 D722,805 S \* 2/2015 Banos ..... D24/198  
 D739,254 S 9/2015 Delgado Carmona  
 D766,094 S \* 9/2016 Delgado Carmona ..... D9/607  
 D770,860 S \* 11/2016 Wampold ..... D7/608  
 2003/0201201 A1 \* 10/2003 Cheng ..... B65D 81/365  
 206/457

\* cited by examiner

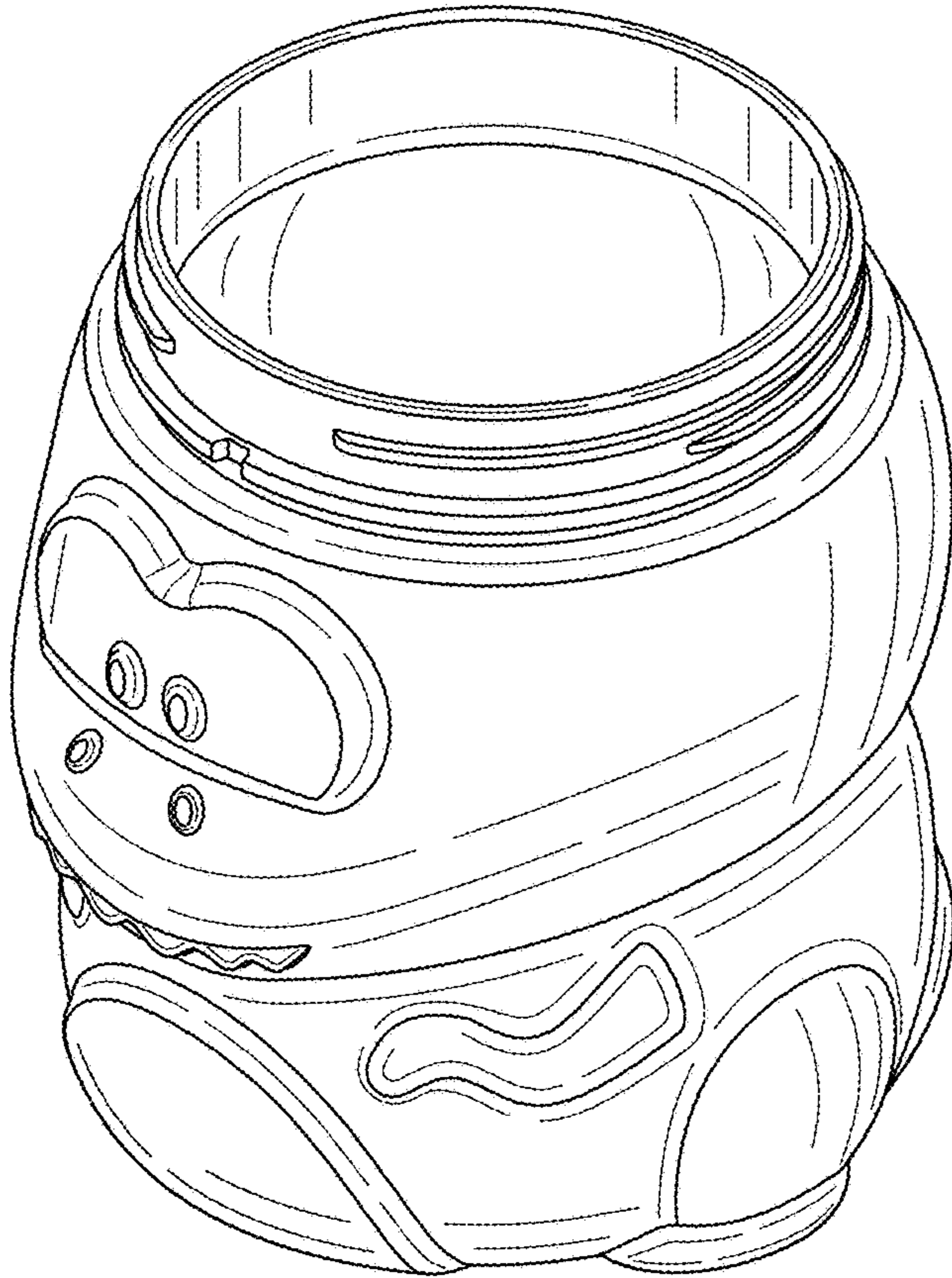


FIG. 1

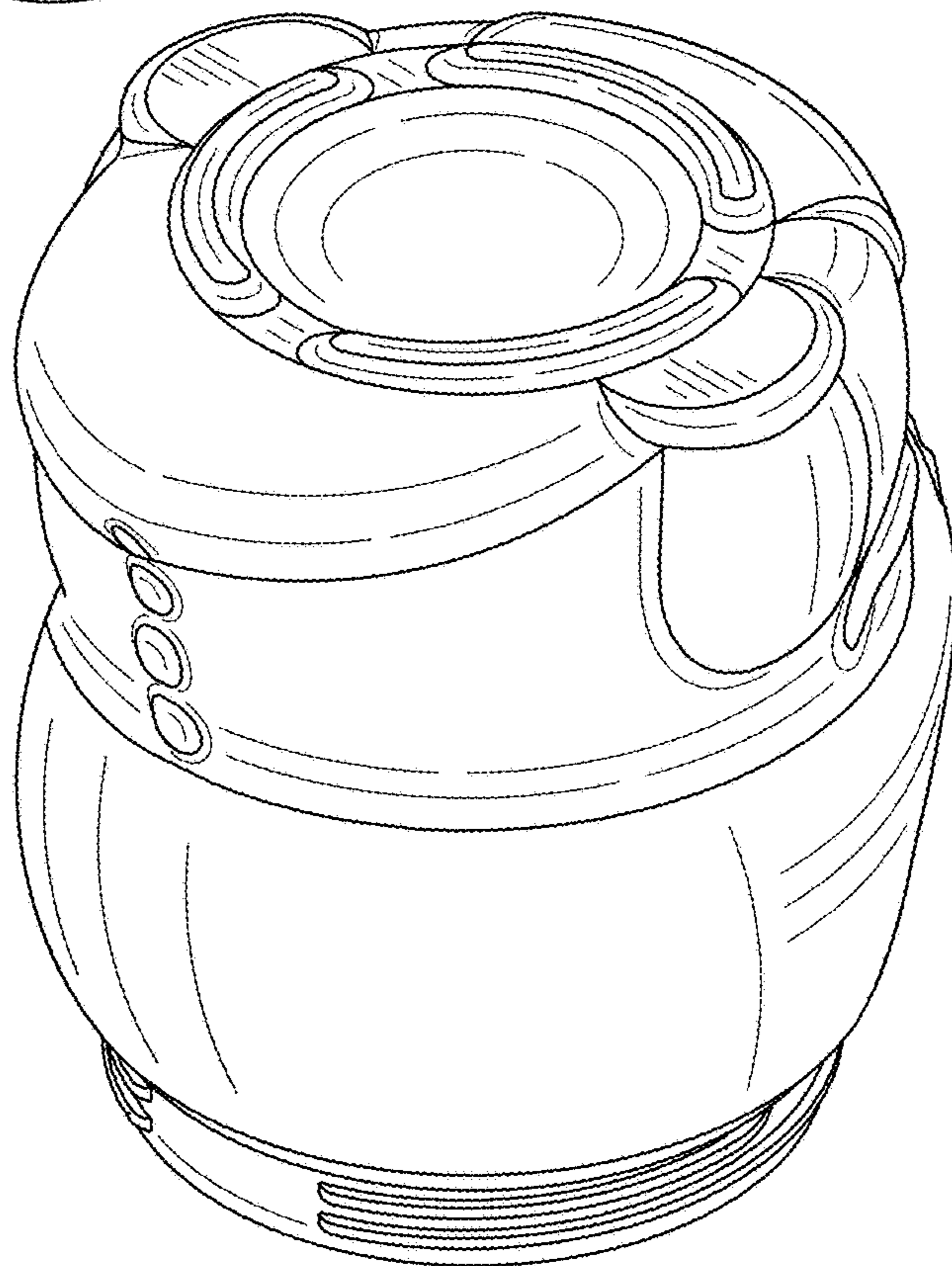


FIG. 2

FIG. 3

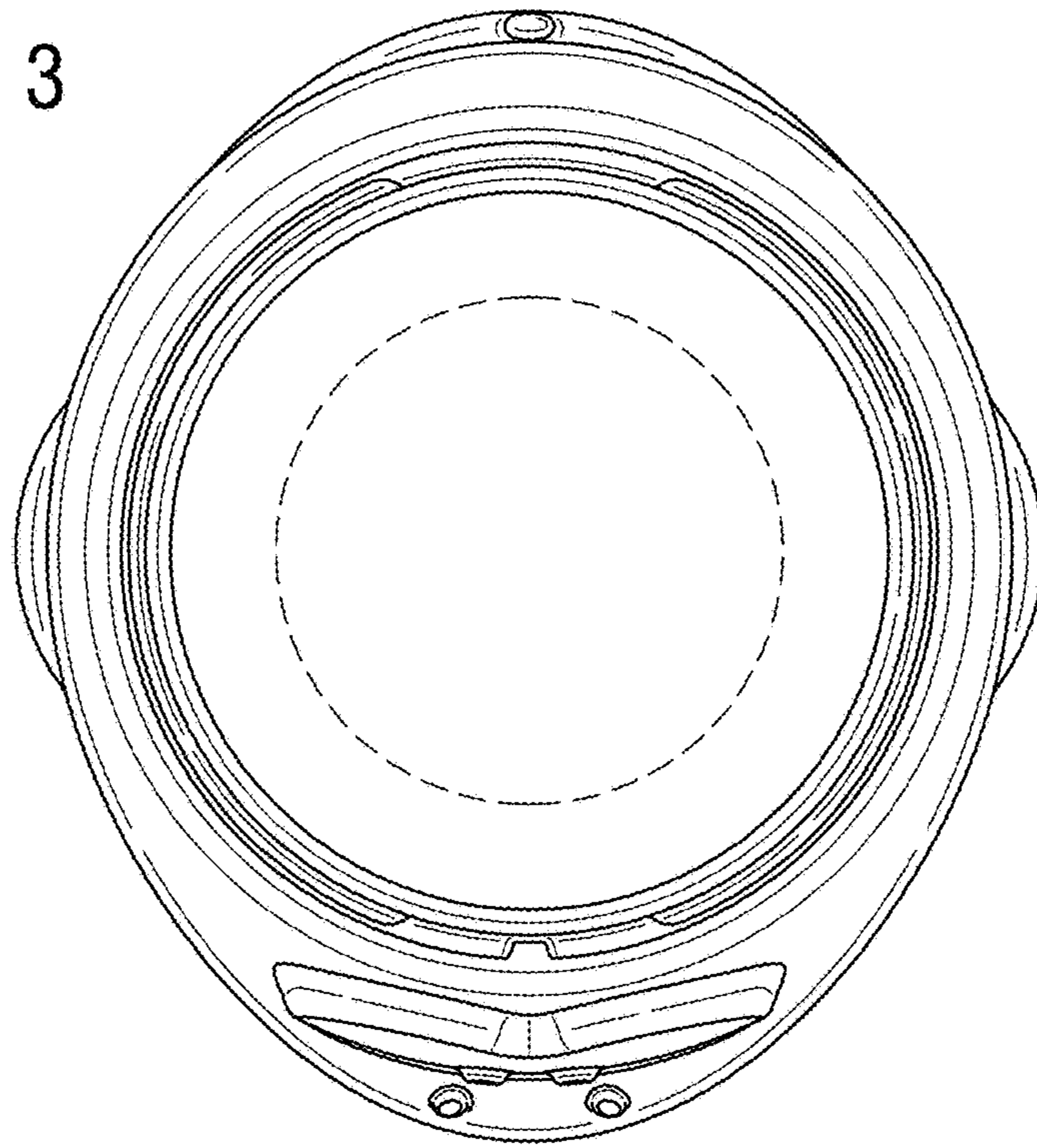


FIG. 4

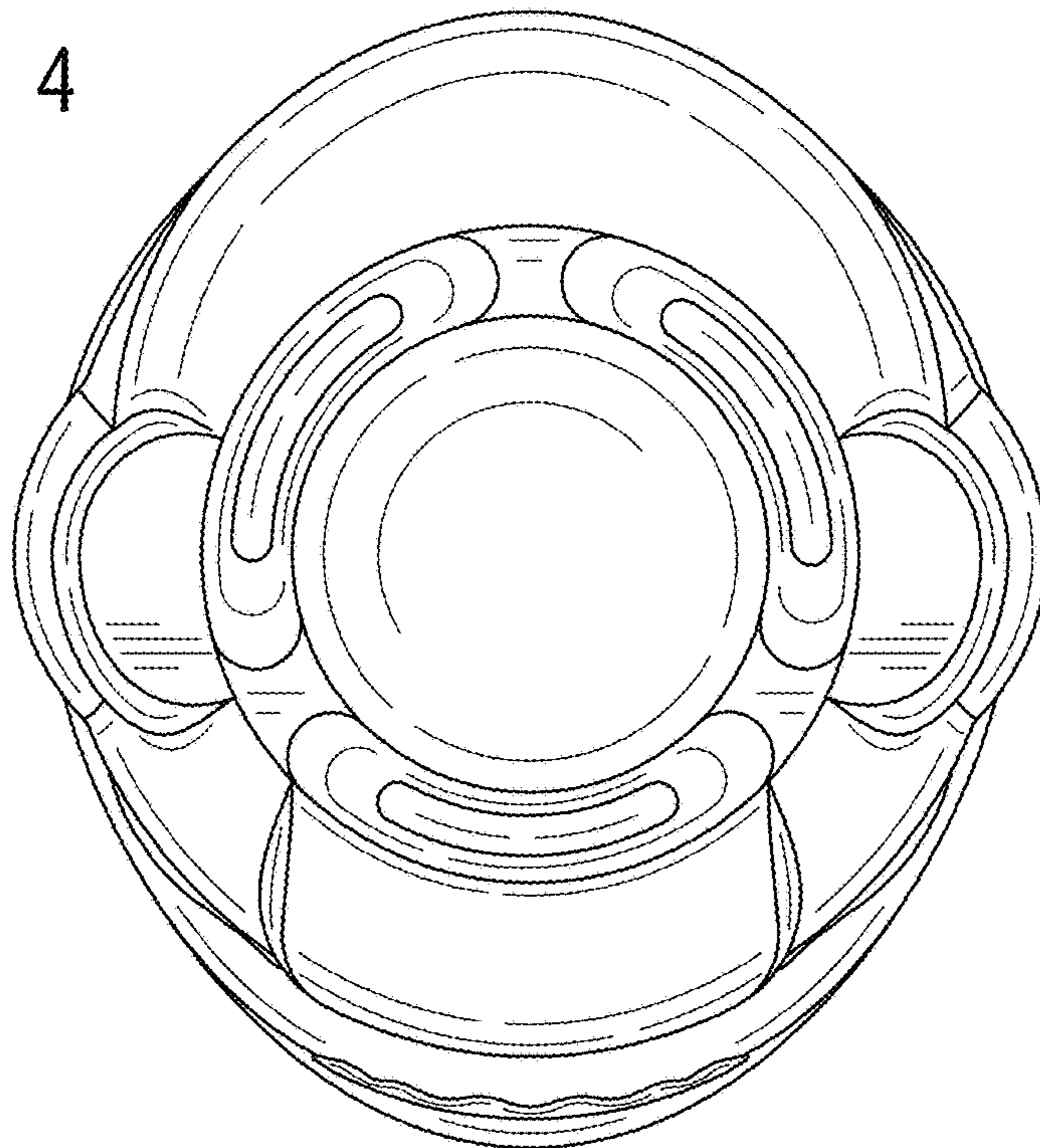


FIG. 5

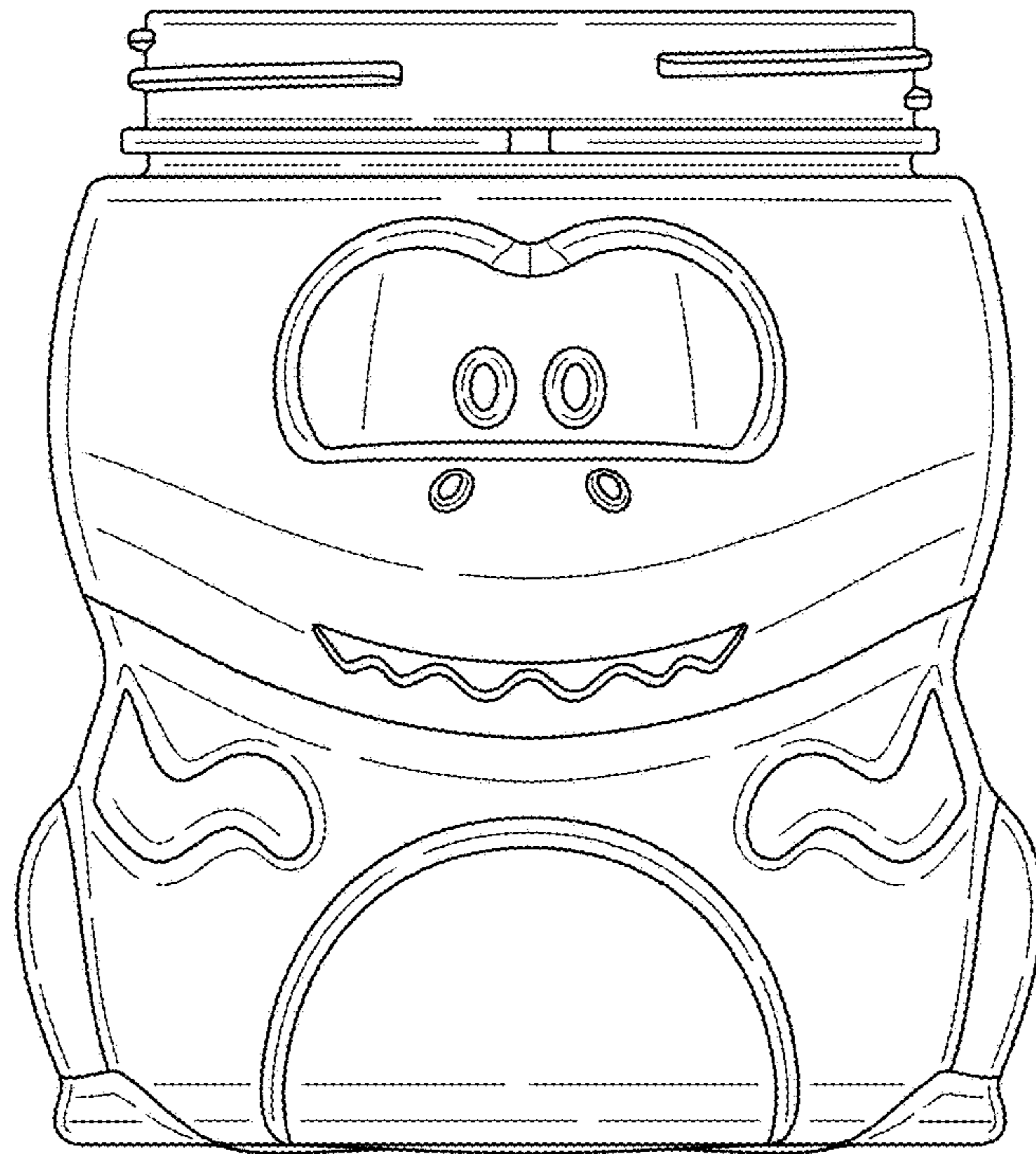


FIG. 6

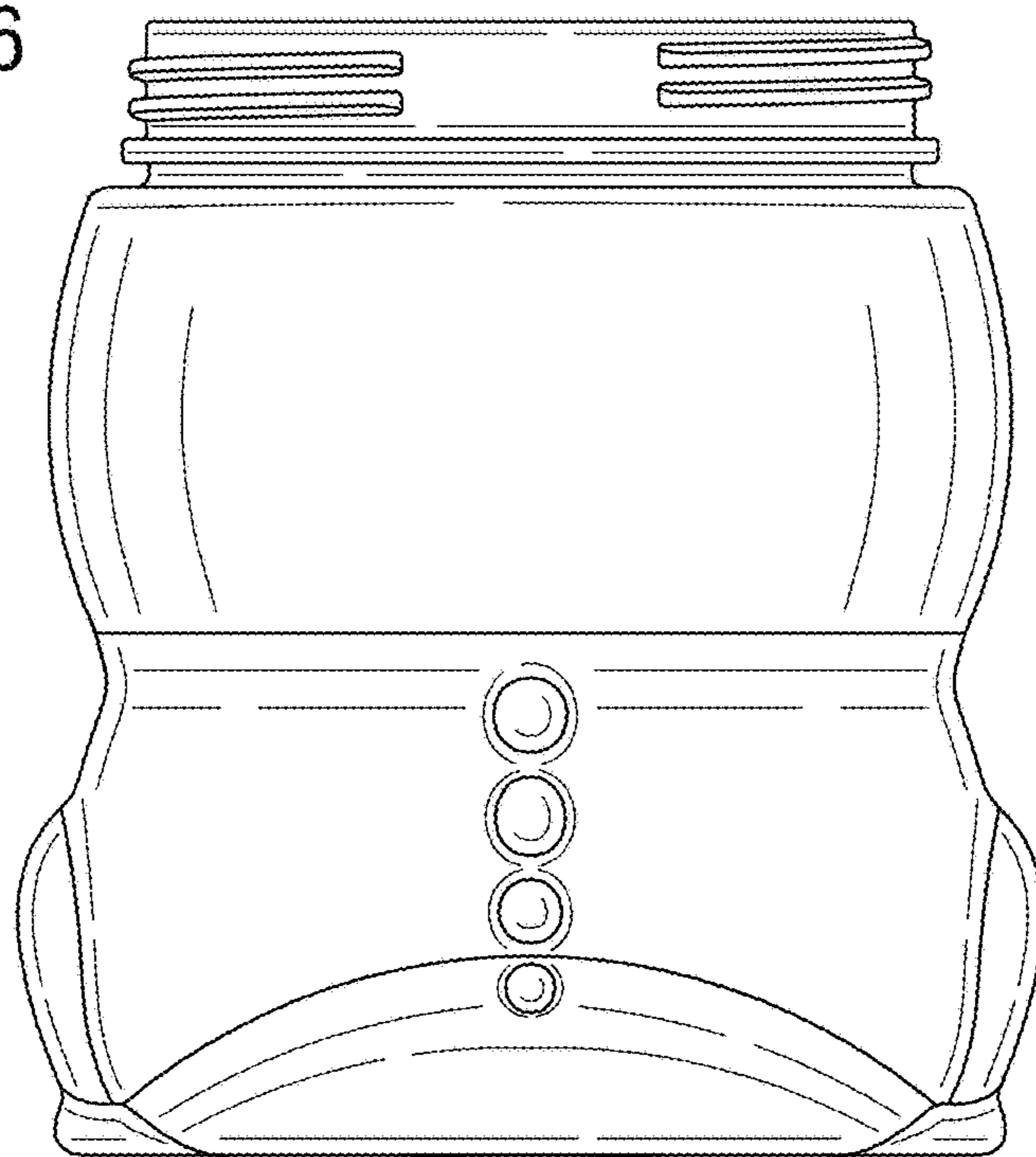


FIG. 7

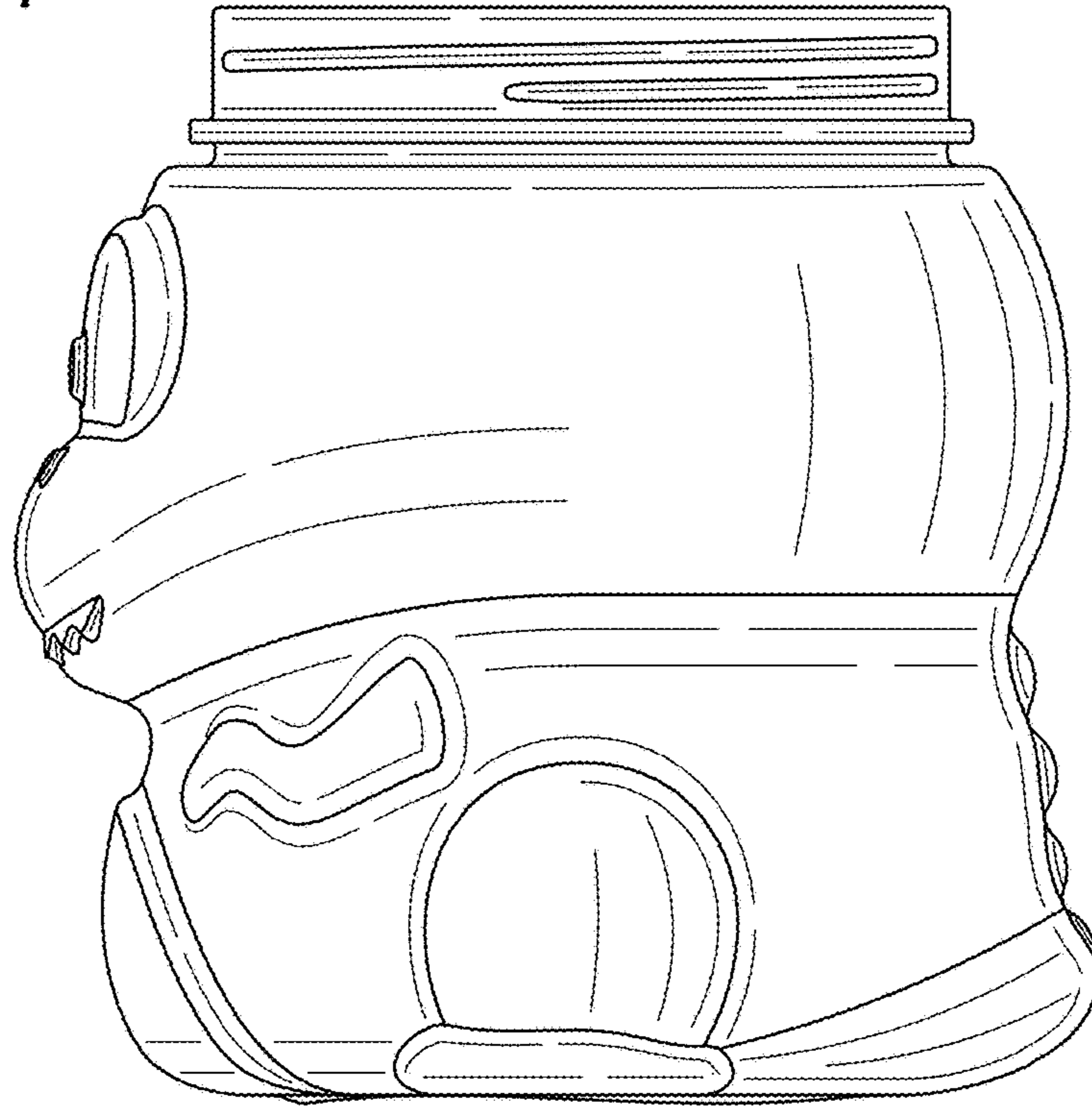


FIG. 8

