



US00D782250S

(12) **United States Design Patent** (10) **Patent No.:** **US D782,250 S**
Green et al. (45) **Date of Patent:** **** Mar. 28, 2017**

(54) **GRANULATED PRODUCT DISPENSER**

(71) Applicants: **Scott D. Green**, Irondale, AL (US);
Joseph M. Wyatt, Pinson, AL (US)

(72) Inventors: **Scott D. Green**, Irondale, AL (US);
Joseph M. Wyatt, Pinson, AL (US)

(**) Term: **14 Years**

(21) Appl. No.: **29/525,393**

(22) Filed: **Apr. 29, 2015**

(51) **LOC (10) Cl.** **07-06**

(52) **U.S. Cl.**

USPC **D7/589**

(58) **Field of Classification Search**

USPC D7/594, 590, 591, 592, 593, 595, 596,
D7/597, 598, 599, 600, 300, 300.1, 300.2,
D7/301, 302, 303, 304, 305, 312, 316,
D7/317, 318, 319, 321, 322, 589, 601,
D7/602, 613, 702, 703, 628, 629, 637,
D7/638, 639, 368, 669, 309, 310, 311,
D7/314, 320, 608; D9/600, 716, 719,
D9/503, 505, 504, 439, 443, 454, 446,
D9/436, 447, 440, 448, 449, 450, 451,
D9/452, 453, 455; D20/1

CPC .. A47J 47/00; A47J 47/01; A47J 47/16; A47J
42/34; A47J 42/00; A47J 42/02; A47J
42/04; A47J 42/06; A47J 42/08; A47J
42/10; A47J 42/12; A47J 42/14; A47J
42/16; A47J 42/18; A47J 42/20; A47J
42/22; A47J 42/24; A47J 42/26; A47J
43/00; A47J 47/04; B65D 83/04; B65D
83/0409; B65D 83/0445; B65D 83/0418;
B65D 83/0427; B65D 83/0436; B65D
83/0481; B65D 83/06; B65D 83/08;
B65D 83/02; B65D 50/00; B65D 39/04;
B65D 39/002; B65D 39/06; A47G 19/24;
A47G 19/00; A47G 19/12; A47G 19/122;
A47G 19/125; A47G 19/127; A47G
19/18; A47G 19/20; A47G 19/14; A47G

19/32; A47G 19/34; G07F 1/00; G07F
7/00; G07F 11/002; G07F 11/005; G07F
11/007; A01K 5/0114; A01K 5/01; G01F
11/24; B67D 7/0266; A47F 1/03; B65B
3/0035

See application file for complete search history.

(56) **References Cited**

U.S. PATENT DOCUMENTS

422,247 A * 2/1890 Perkins A47F 1/03
312/124
953,471 A * 3/1910 Kuhn B65D 83/02
221/196

(Continued)

Primary Examiner — Ian Simmons

Assistant Examiner — Shannon Morgan

(74) *Attorney, Agent, or Firm* — Bush Intellectual
Property Law; Kenneth M. Bush

(57) **CLAIM**

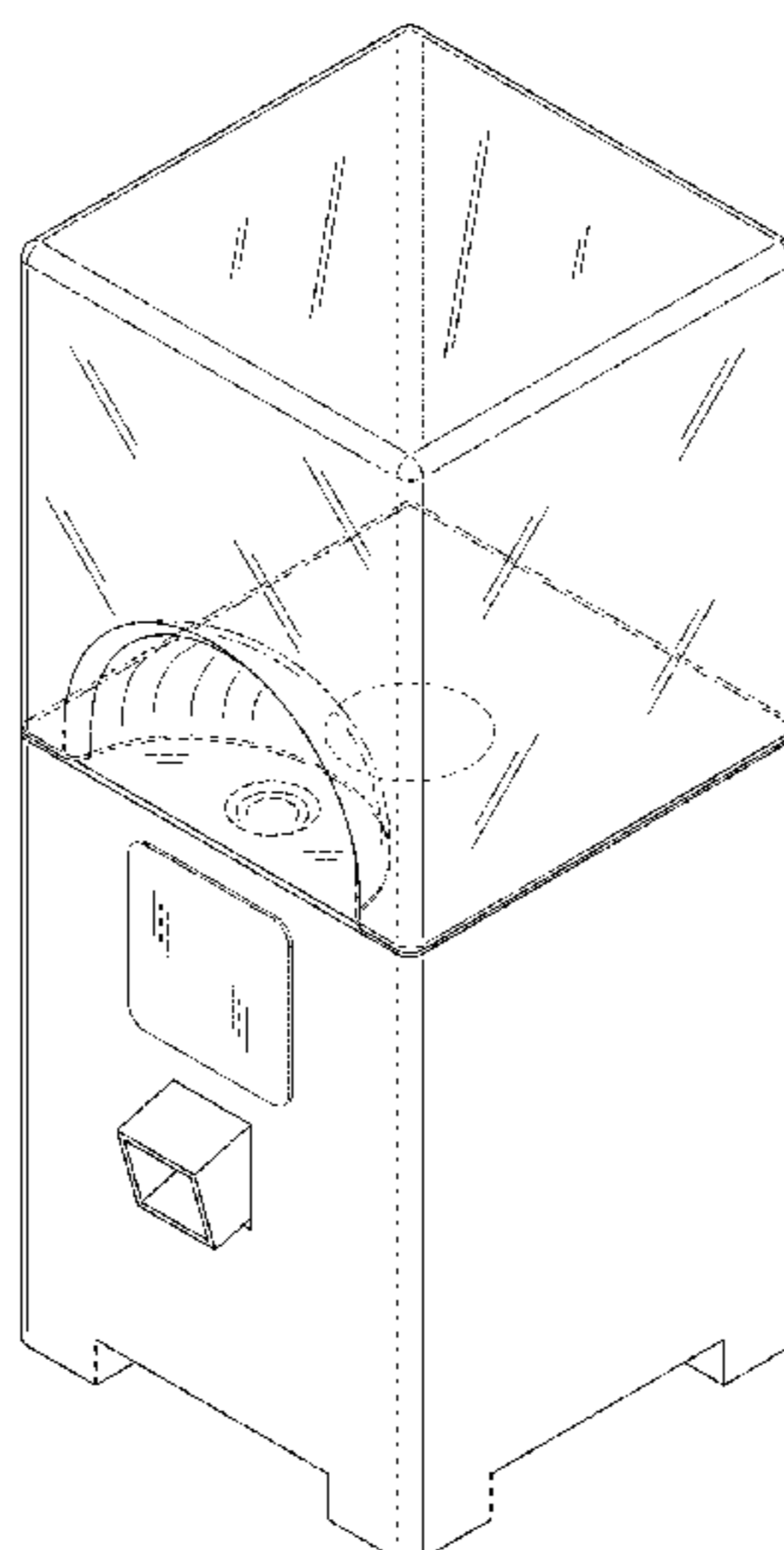
We claim the ornamental design for a granulated product dispenser, as shown and described.

DESCRIPTION

FIG. 1 is a top front right perspective view of a granulated product dispenser showing our new design; FIG. 2 is a front elevation view thereof; FIG. 3 is a rear elevation view thereof; FIG. 4 is a left side elevation view thereof; FIG. 5 is a right side elevation view thereof; FIG. 6 is a top plan view thereof; and, FIG. 7 is a bottom plan view thereof.

The short dash, short dash broken lines in FIGS. 1, 6, and 7 represent portions of the granulated product dispenser that form no part of the claimed design. The long dash, short dash broken lines and area within in FIG. 2 define the bounds of the claimed design and form no part of the claimed design.

1 Claim, 4 Drawing Sheets



(56)

References Cited

U.S. PATENT DOCUMENTS

1,412,983 A * 4/1922 Tobey A47F 1/03
141/369
1,931,908 A * 10/1933 Tillotson A47F 1/03
221/248
2,433,472 A * 12/1947 McLaughlin A47F 1/10
221/251
D148,959 S * 3/1948 Ryan D30/106
D151,952 S * 12/1948 Babcock D15/81
2,475,738 A * 7/1949 Epplin B65D 23/0885
221/197
2,806,633 A * 9/1957 Thomen B65D 5/72
221/264
3,024,583 A * 3/1962 Gastright G07F 11/70
493/309
3,326,413 A * 6/1967 Anderson A47G 19/32
221/250
D209,324 S * 11/1967 Berkowitz D7/589
D216,511 S * 1/1970 Coleman D23/202
D216,590 S * 2/1970 Coleman D23/202
D224,145 S * 7/1972 Ussery D20/1
D225,894 S * 1/1973 Emery D7/589
D248,693 S * 7/1978 Housman D20/1
D296,405 S * 6/1988 Weaver D7/589
5,016,789 A * 5/1991 Singh A47F 1/02
222/185.1
D345,085 S * 3/1994 Sewell D7/589

D376,513 S * 12/1996 Curry D7/589
5,667,097 A * 9/1997 Joyce B65D 83/0409
221/264
D388,466 S * 12/1997 Yurchak D20/1
D390,272 S * 2/1998 DiSanto D20/1
5,823,386 A * 10/1998 Vandenberg G07F 11/44
221/13
D401,972 S * 12/1998 Humphrey D20/4
6,047,746 A 4/2000 Green
6,435,381 B1 * 8/2002 Waldman A47F 1/03
222/505
6,619,510 B2 9/2003 Green
D541,349 S * 4/2007 Krampe D20/1
D542,352 S 5/2007 Green et al.
D581,218 S 11/2008 Green et al.
7,555,360 B1 6/2009 Green et al.
D600,285 S * 9/2009 Derringer D20/1
7,588,062 B1 9/2009 Green
7,588,169 B1 9/2009 Green et al.
8,037,908 B1 10/2011 Green et al.
8,042,581 B2 10/2011 Green et al.
D650,239 S * 12/2011 Laib D7/589
8,851,334 B2 10/2014 Green et al.
8,919,395 B2 12/2014 Green et al.
D742,156 S * 11/2015 Harris D7/306
D745,309 S * 12/2015 Gagnon D7/325
2005/0017109 A1 * 1/2005 Tu A47J 42/14
241/242

* cited by examiner

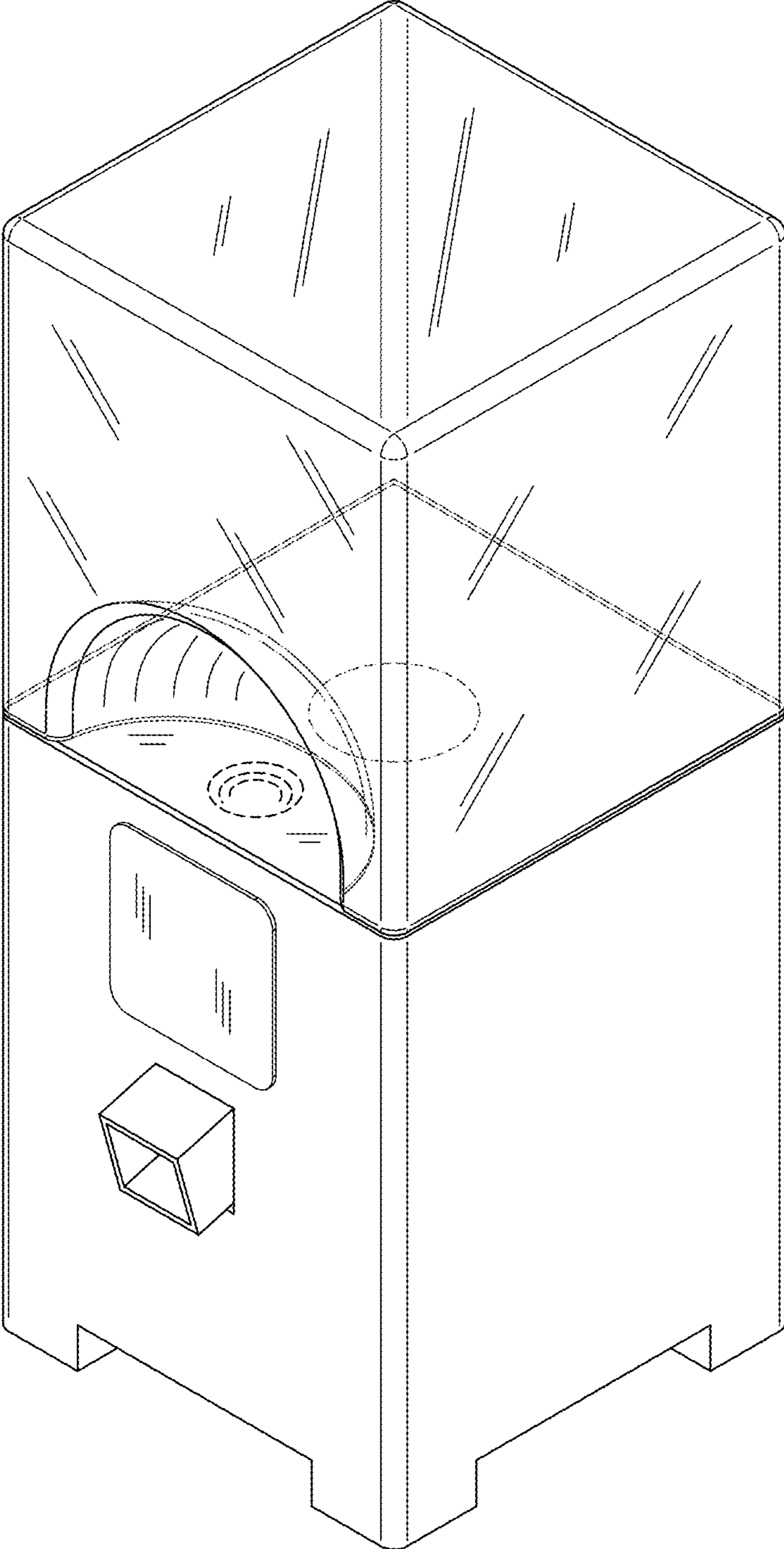


FIG. 1

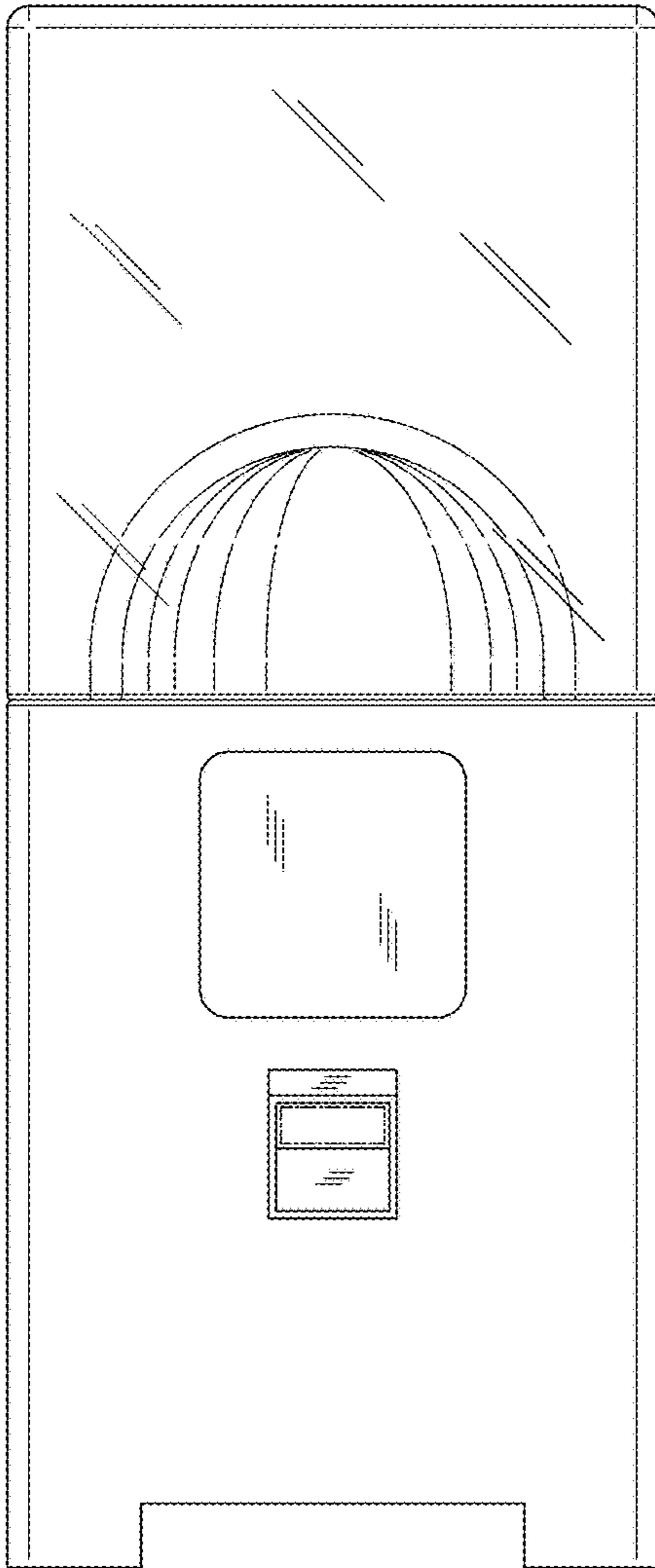


FIG. 2

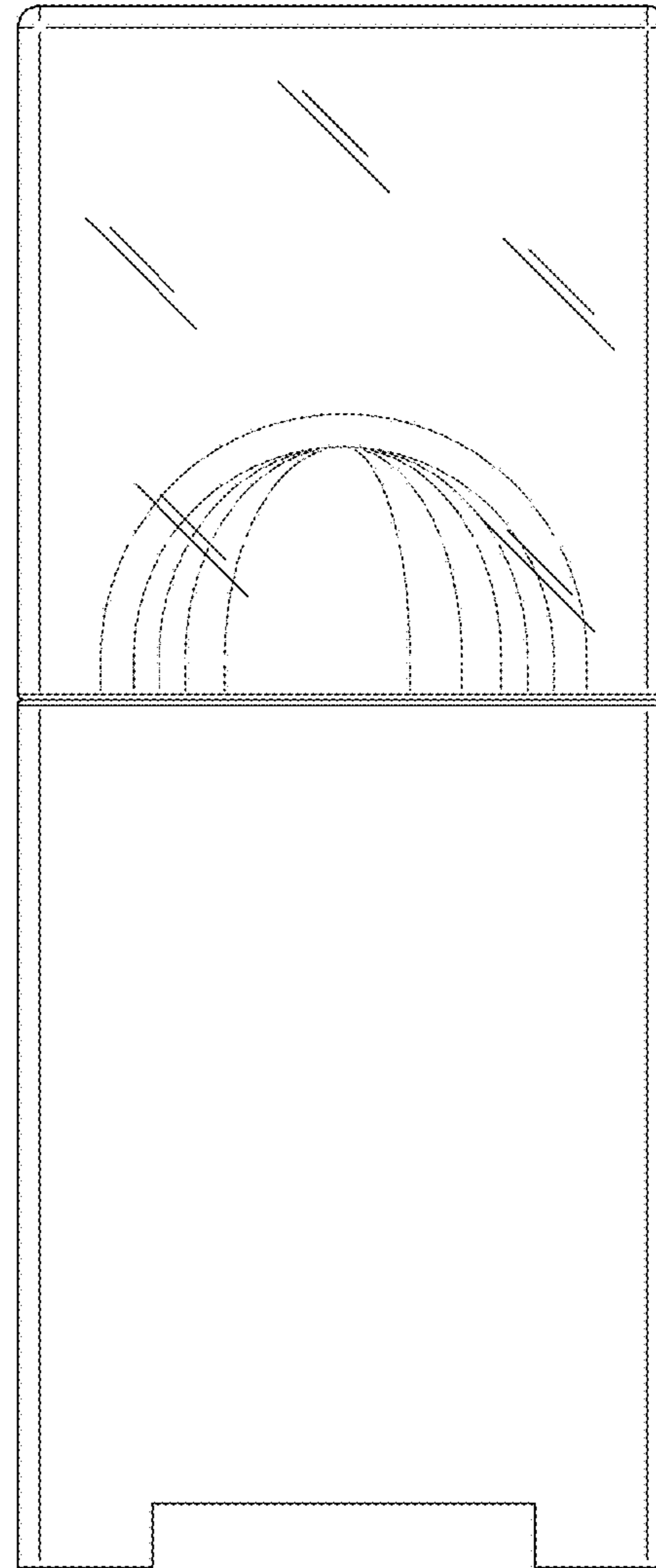


FIG. 3

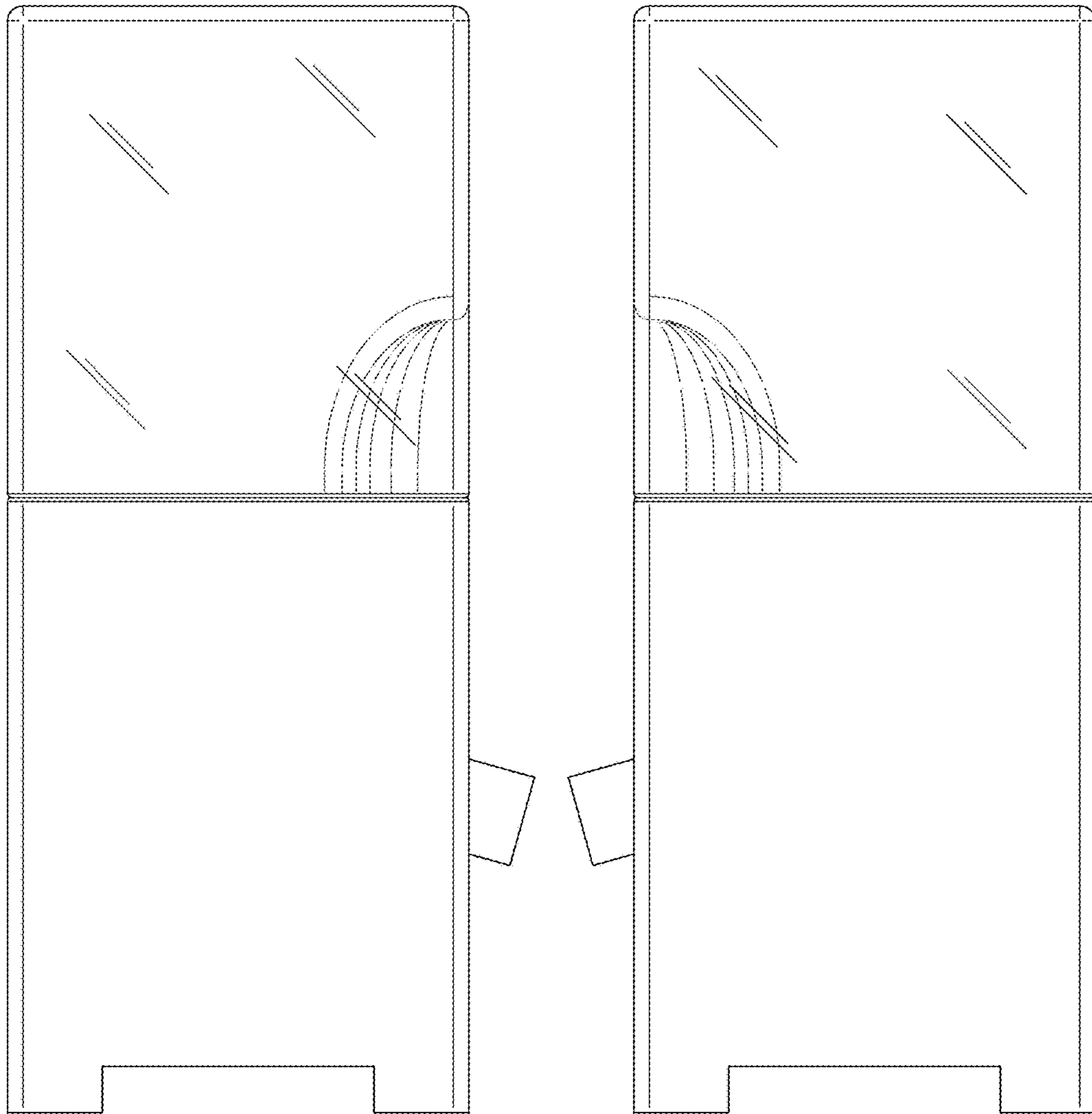


FIG. 4

FIG. 5

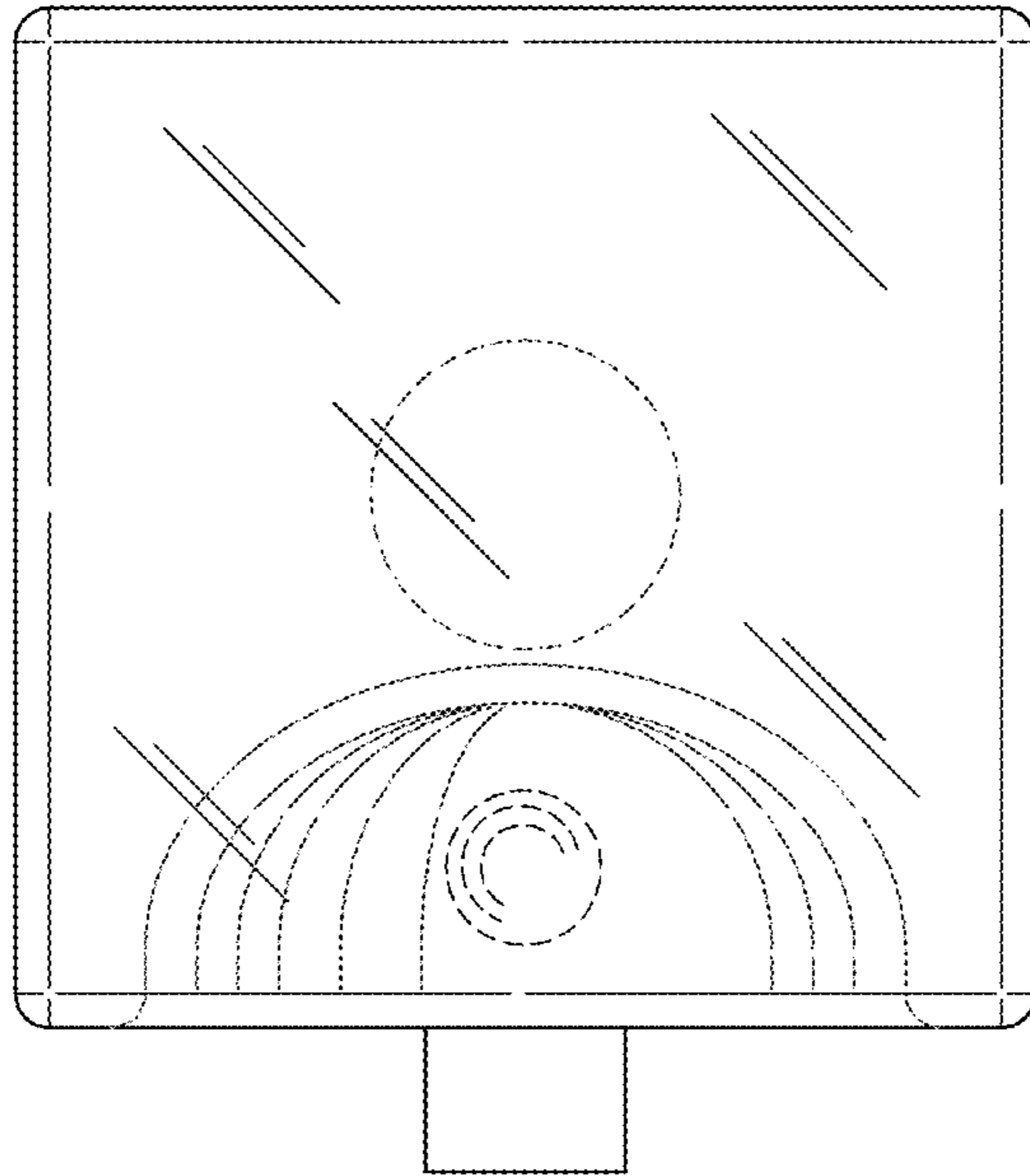


FIG. 6

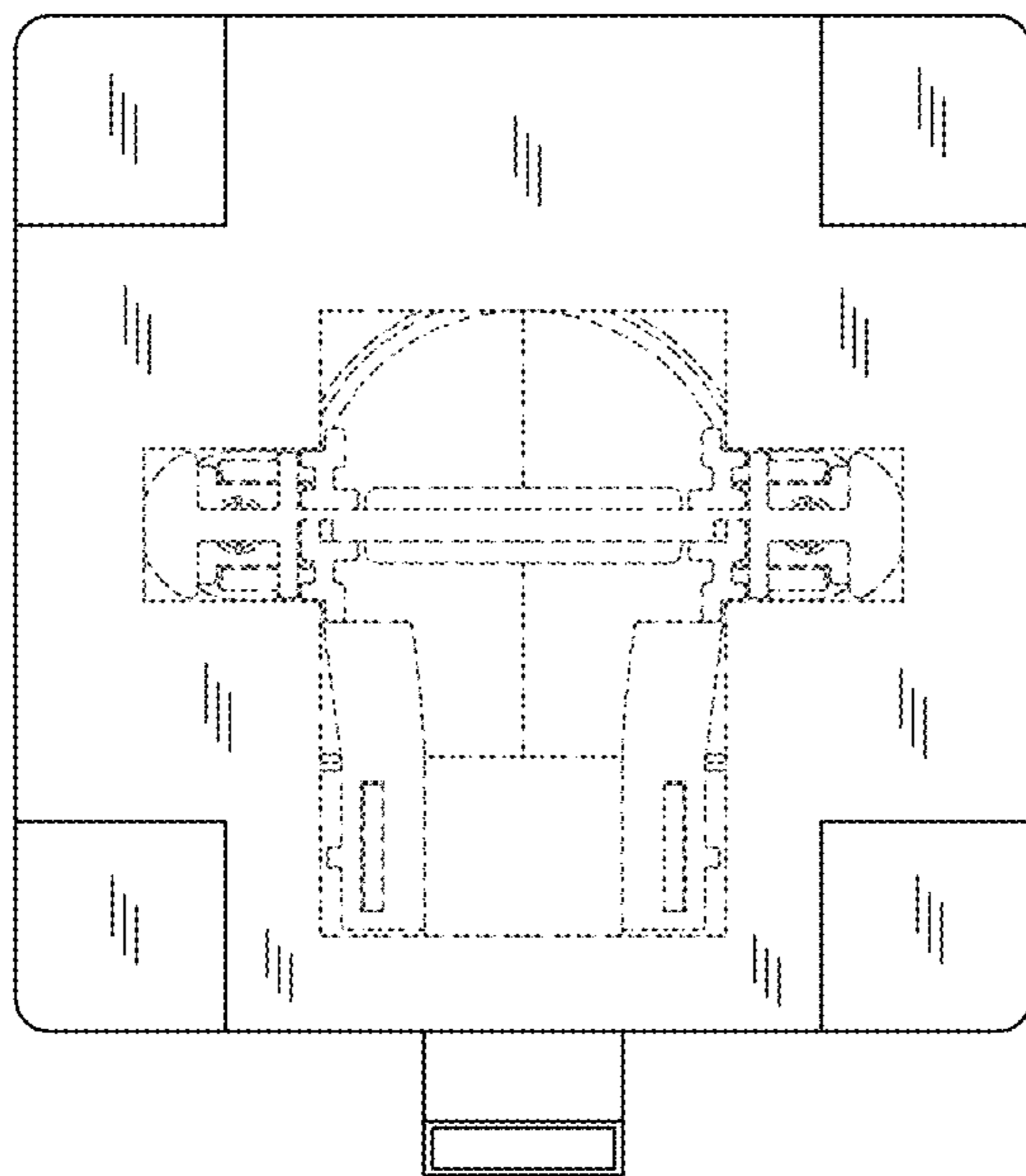


FIG. 7