



US00D782247S

(12) **United States Design Patent**
Kim et al.

(10) **Patent No.:** **US D782,247 S**
(45) **Date of Patent:** **** Mar. 28, 2017**

(54) **CUP FOR A JUICE EXTRACTOR**

(56) **References Cited**

(71) Applicant: **NUC Electronics Co., Ltd., Daegu (KR)**

U.S. PATENT DOCUMENTS

(72) Inventors: **Jong Boo Kim, Daegu (KR); In Young Kim, Daegu (KR)**

D424,865 S *	5/2000	Crescenzi	D7/378
D466,761 S *	12/2002	Baerenrodt	D7/378
6,571,908 B2 *	6/2003	Bohannon	A47J 43/0716 160/201
D480,915 S *	10/2003	Kolar	D7/413
D528,363 S *	9/2006	Ulanski	D7/413
D556,506 S *	12/2007	Spagnolo	D7/378
D587,526 S *	3/2009	Barnard	D7/413
D588,406 S *	3/2009	Ulanski	D7/413
D621,656 S *	8/2010	Ulanski	D7/378
D637,862 S *	5/2011	Fouquet	D7/376
D662,359 S *	6/2012	Boozer	D7/376
D678,726 S *	3/2013	Palermo	D7/376
D742,172 S *	11/2015	Dickson, Jr.	D7/376

(73) Assignee: **NUC Electronics Co., Ltd., Daegu (KR)**

(**) Term: **15 Years**

(21) Appl. No.: **29/537,527**

(22) Filed: **Aug. 26, 2015**

* cited by examiner

(30) **Foreign Application Priority Data**

Primary Examiner — Ricky Pham

Feb. 27, 2015 (KR) 30-2015-0010247

(74) *Attorney, Agent, or Firm* — Seed IP Law Group LLP

(51) **LOC (10) Cl.** **31-00**

(57) **CLAIM**

(52) **U.S. Cl.**

The ornamental design for a cup for a juice extractor, as shown and described.

USPC **D7/413; D7/376; D7/378; D7/412**

(58) **Field of Classification Search**

DESCRIPTION

USPC D7/372, 376–386, 412–413, 602, 629,
D7/665–666, 669, 679, 693–694

FIG. 1 is a perspective view of a cup for a juice extractor showing our new design.

CPC A21C 1/02; A21C 1/04; A23N 1/00; A23N

FIG. 2 is a front view thereof.

1/02; A47J 43/04; A47J 43/25; A47J

FIG. 3 is a rear view thereof.

43/27; A47J 43/042; A47J 43/044; A47J

FIG. 4 is a left side view thereof.

43/046; A47J 43/075; A47J 43/0716;

FIG. 5 is a right side view thereof.

A47J 43/0722; A47J 43/0727; B01F 3/00;

FIG. 6 is a top plan view thereof.

B01F 3/0807; B01F 3/0853; B01F

FIG. 7 is a bottom plan view thereof; and,

13/0059; B01F 13/0064; B02C 1/08;

FIGS. 8A and 8B are two separate reference views of a cup for a juice extractor in order to show a use state thereof.

B02C 2/04; B02C 4/42; B02C 4/142;

B02C 4/143; B02C 4/423; B02C 13/1835;

The broken lines in the figures are for illustrative purposes only and form no part of the claimed design.

B28C 5/10; B28C 5/12; B28C 5/14;

B28C 5/16

See application file for complete search history.

1 Claim, 9 Drawing Sheets

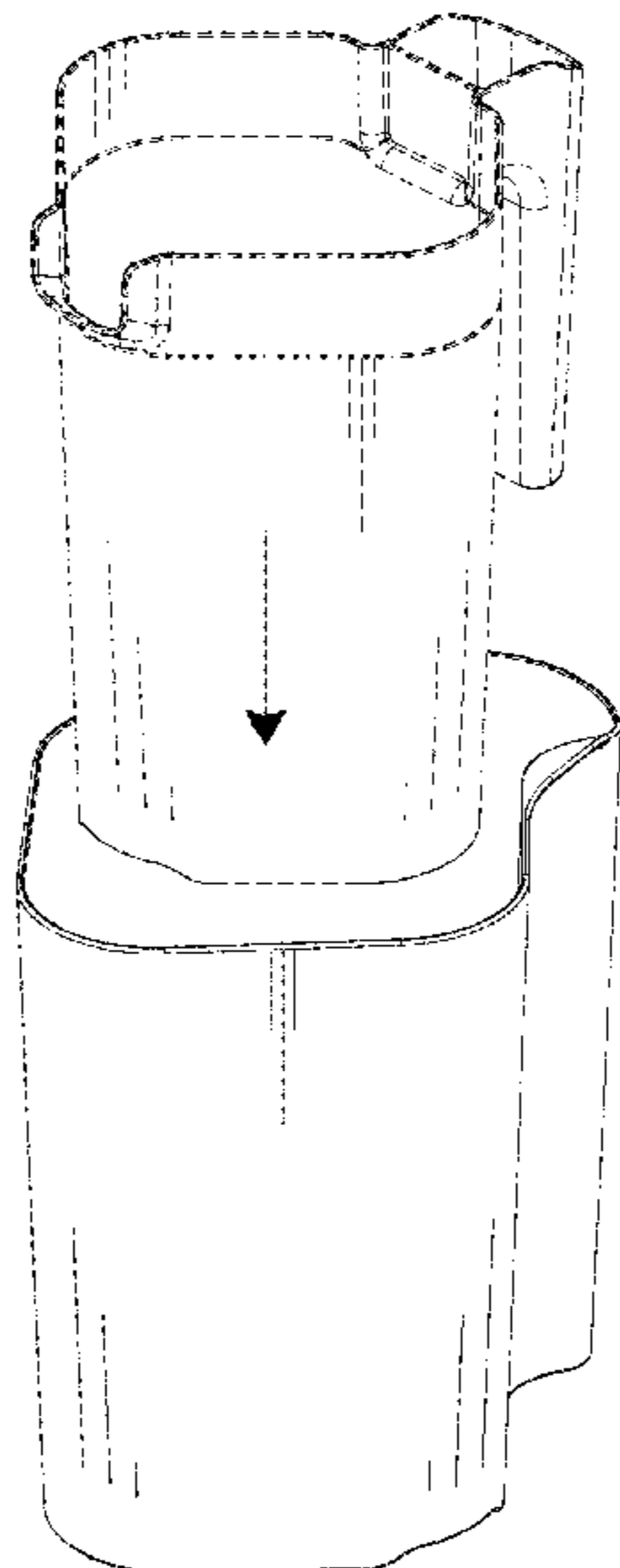


Fig. 1

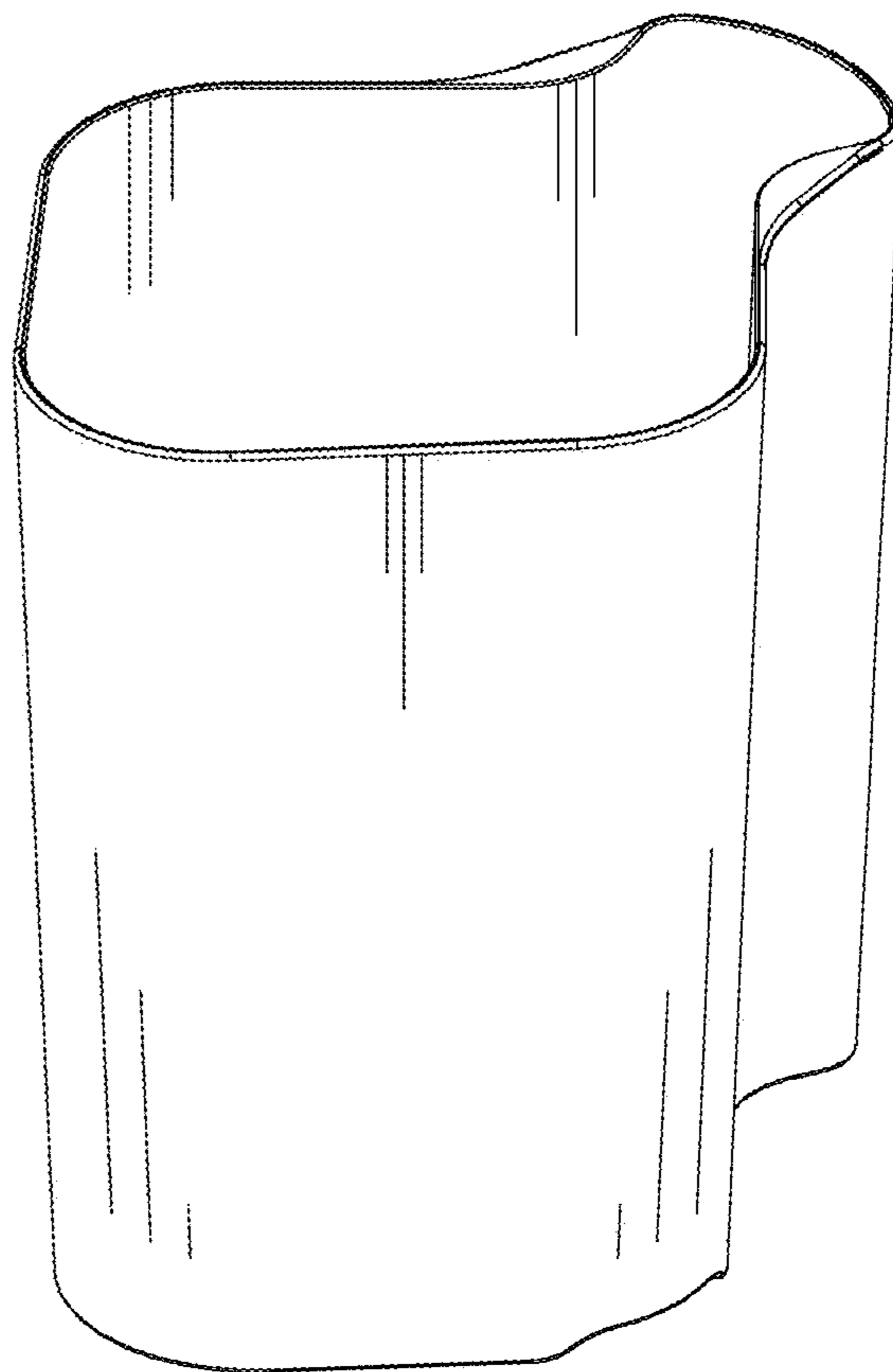


Fig.2

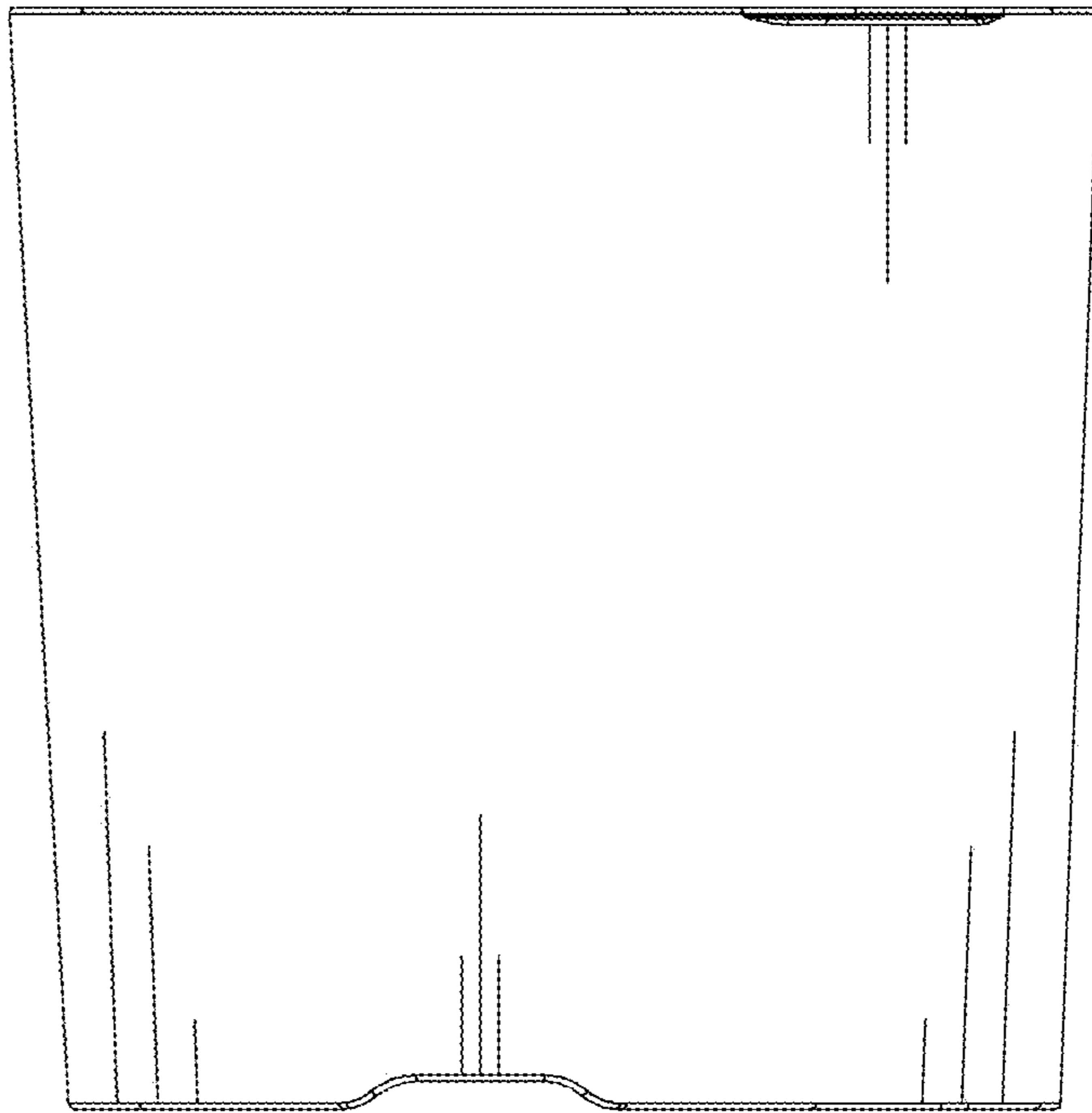


Fig.3

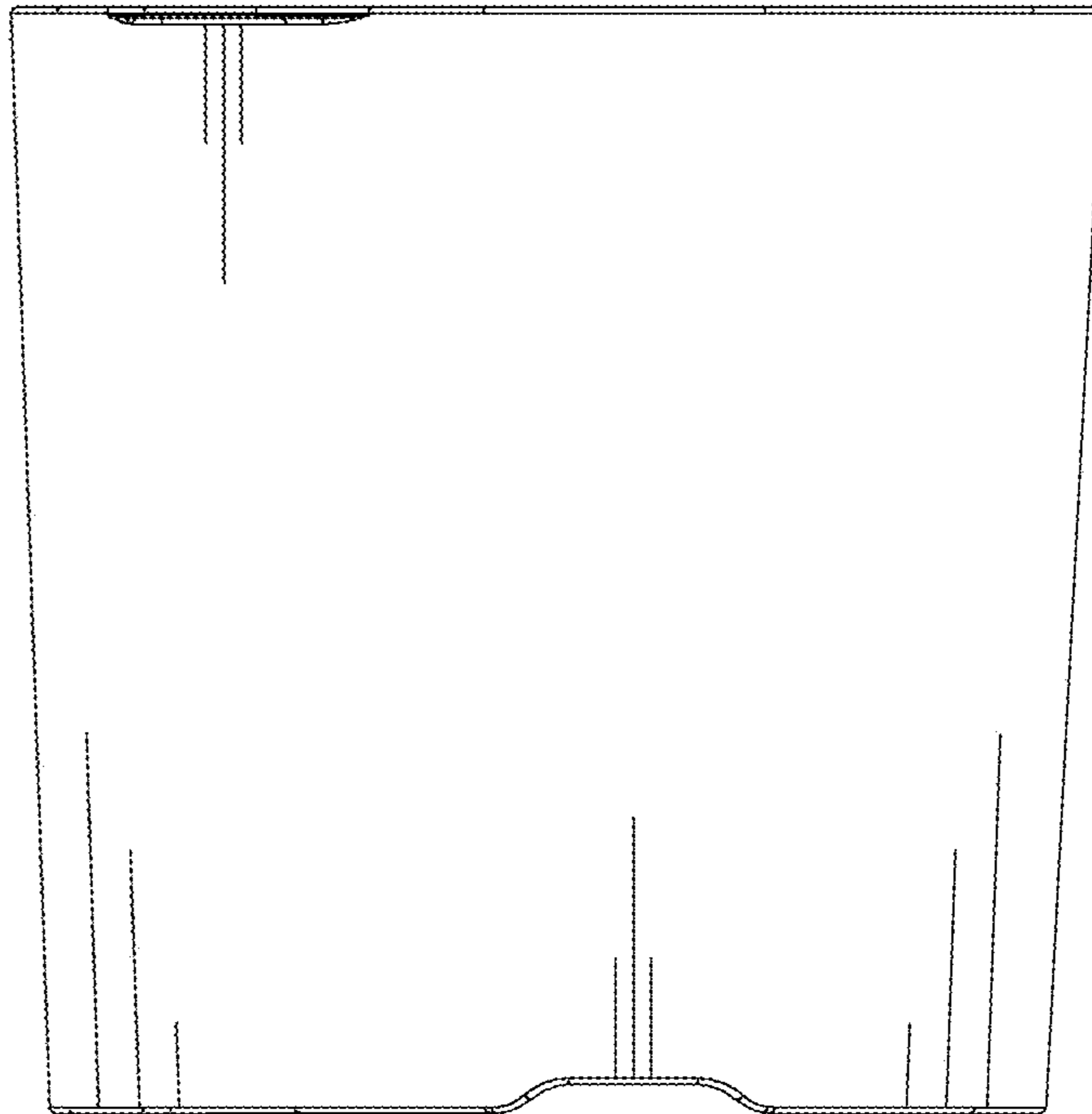


Fig.4

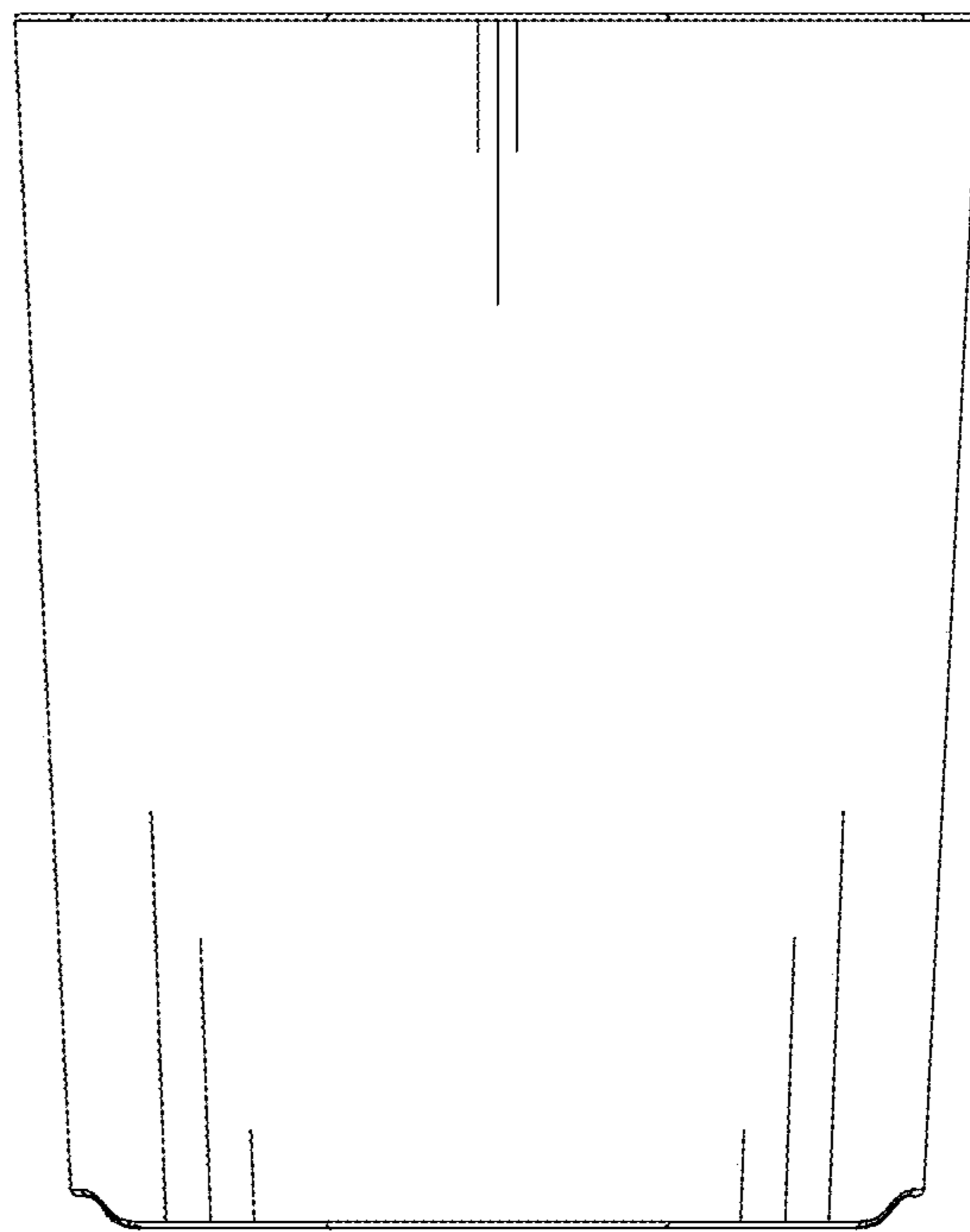


Fig.5

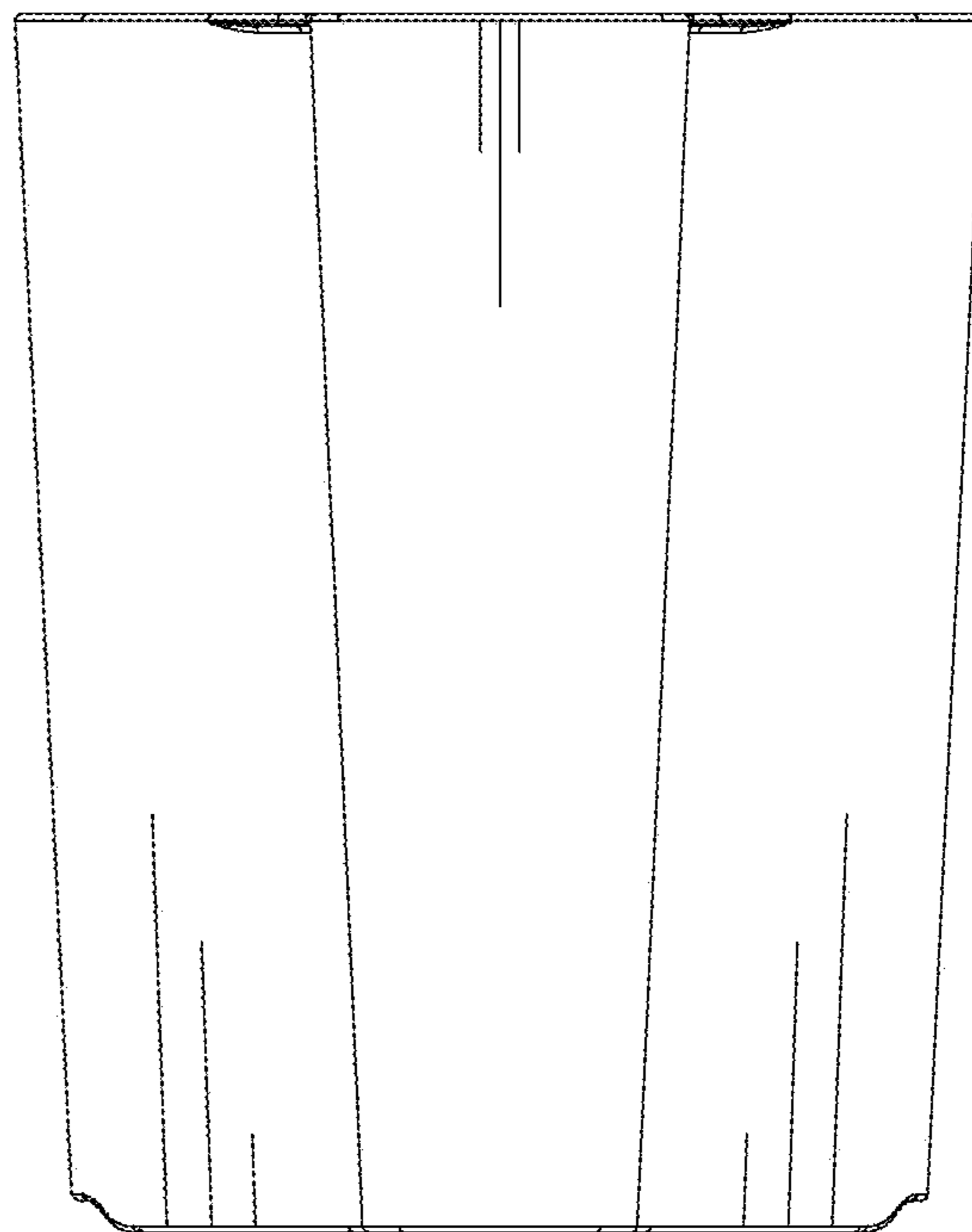


Fig.6

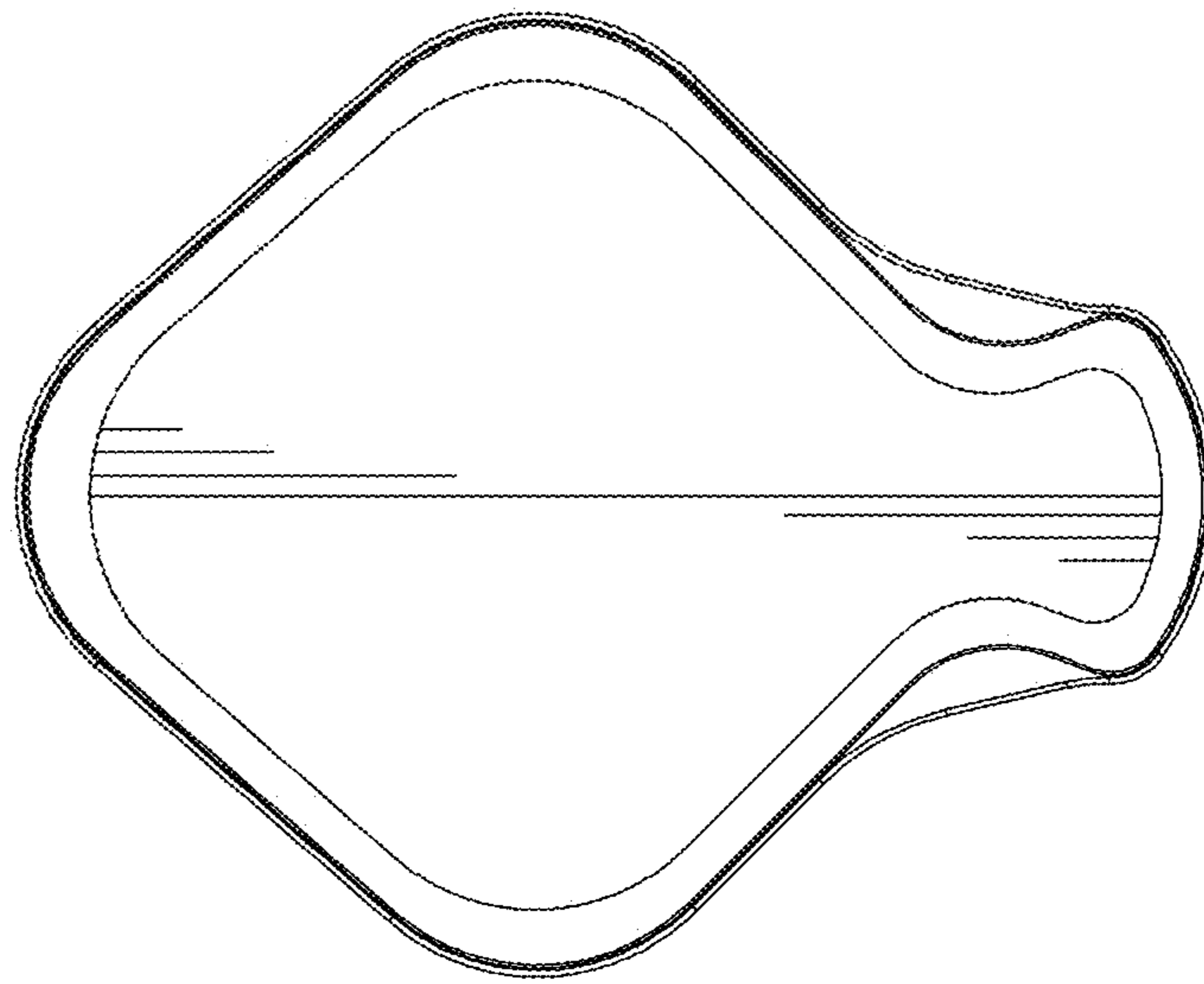


Fig.7

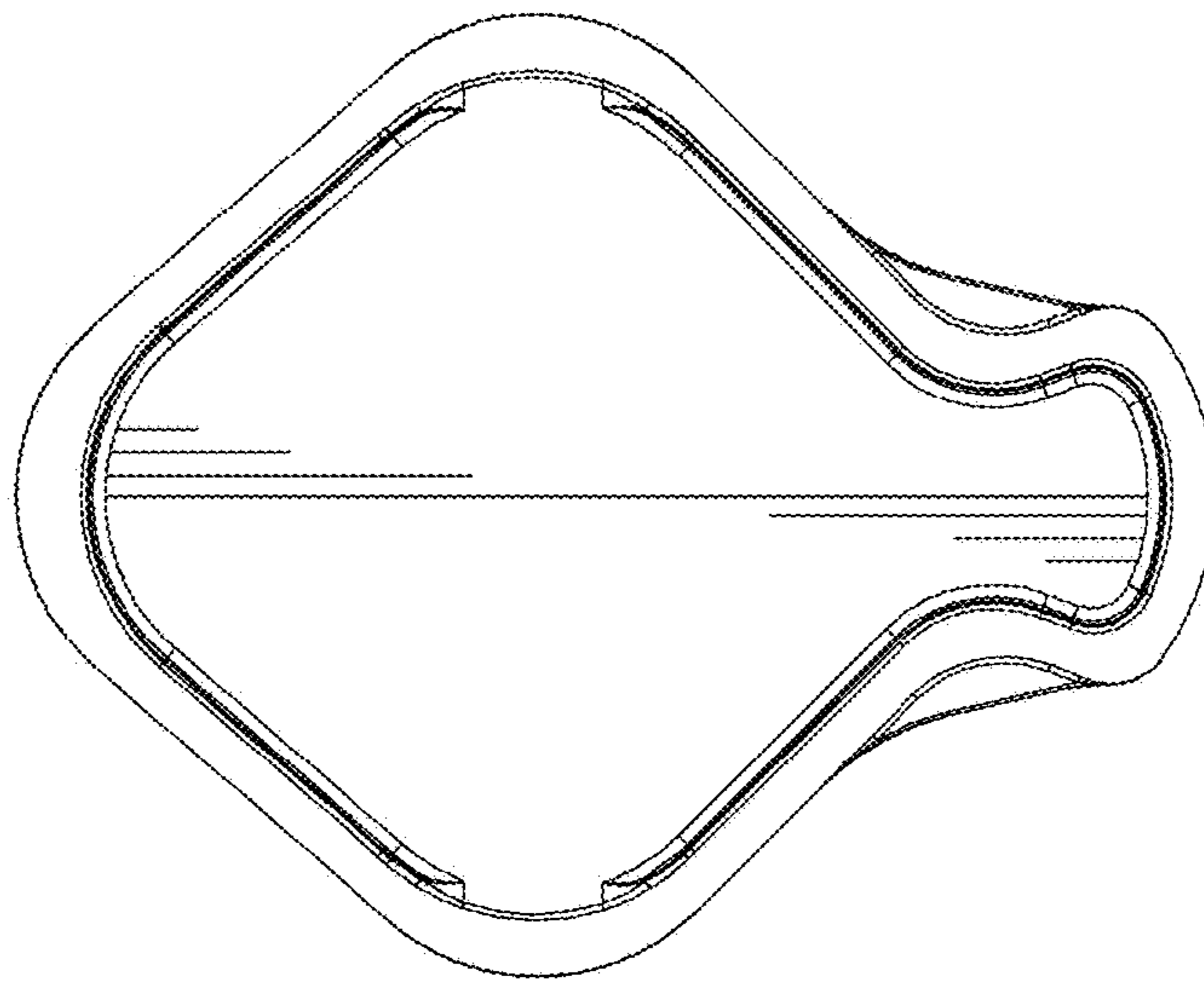


Fig.8A

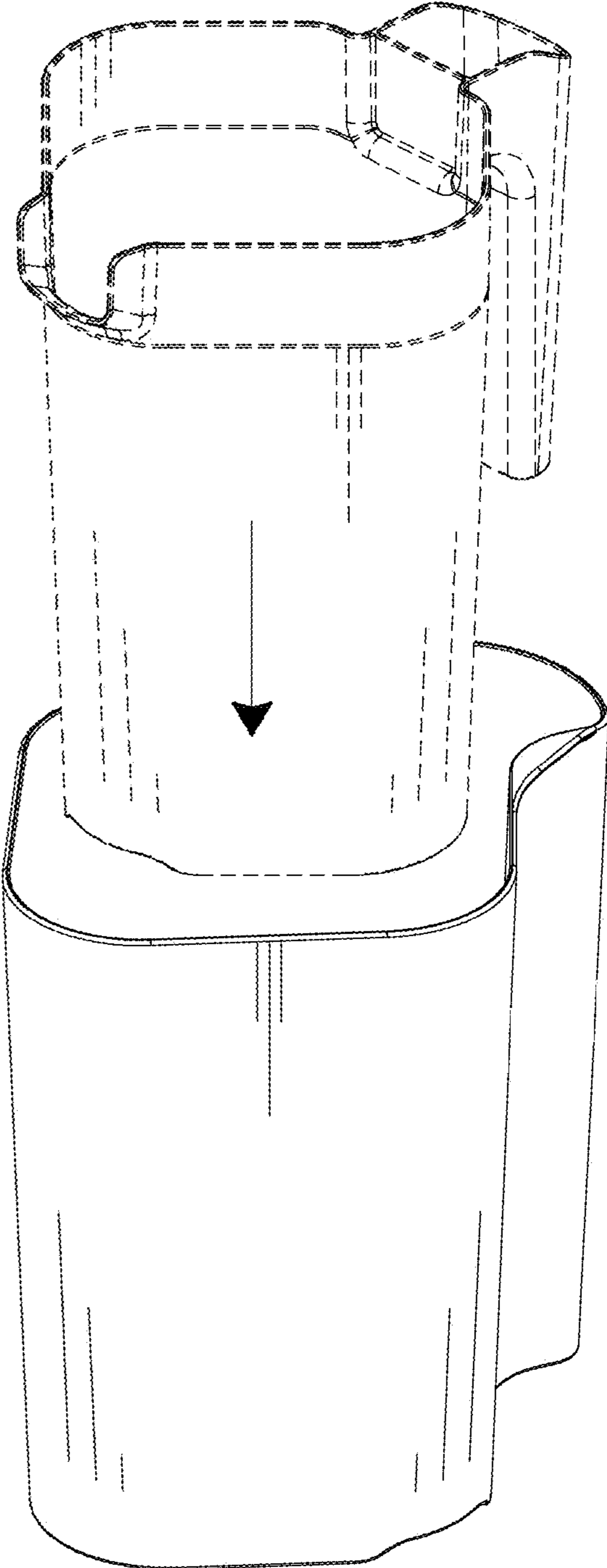


Fig.8B

