



US00D782246S

(12) **United States Design Patent**
Legge

(10) **Patent No.:** **US D782,246 S**
(45) **Date of Patent:** **** Mar. 28, 2017**

(54) **BREAD TOASTER SPIKES**
(71) Applicant: **William Y Legge**, Layton, UT (US)
(72) Inventor: **William Y Legge**, Layton, UT (US)
(**) Term: **14 Years**
(21) Appl. No.: **29/488,841**
(22) Filed: **Apr. 23, 2014**
(51) **LOC (10) Cl.** **07-02**
(52) **U.S. Cl.**
USPC **D7/409**
(58) **Field of Classification Search**
USPC D7/323, 332, 335-337, 354-355,
D7/359-364, 387-388, 402, 407-409;
D32/55
CPC A21B 2/00; A21B 3/00; A21B 3/13; A21B
3/15; A21B 5/00; A21B 5/02; A23L
1/0047; A23N 12/06; A23N 12/08; A23N
12/10; A47J 27/04; A47J 37/00; A47J
37/04; A47J 37/041; A47J 37/042; A47J
37/06; A47J 37/0688; A47J 37/0694;
A47J 37/07; A47J 37/0704; A47J 37/10;
A47J 37/108; A47J 43/18; A47J 47/005;
A47J 47/20; A47J 2037/00; A47J
2037/06; A47J 2037/0611; A47J 2037/07;
A47J 2037/0786; A47J 2037/0795; F24C
15/10; F24C 15/12; F24C 15/14; F24C
15/16; F24C 15/164; F24C 15/18
See application file for complete search history.

3,379,118 A * 4/1968 Perez 99/419
4,887,523 A * 12/1989 Murphy et al. 99/419
4,924,768 A * 5/1990 Jay 99/425
5,842,689 A * 12/1998 Hunter 269/54.5
6,192,792 B1 * 2/2001 Gremillion 99/426
D448,964 S * 10/2001 Allan D7/359

(Continued)

Primary Examiner — Ricky Pham

(74) *Attorney, Agent, or Firm* — Brent M. Burningham

(57) **CLAIM**

The ornamental design for bread toaster spikes, as shown and described.

DESCRIPTION

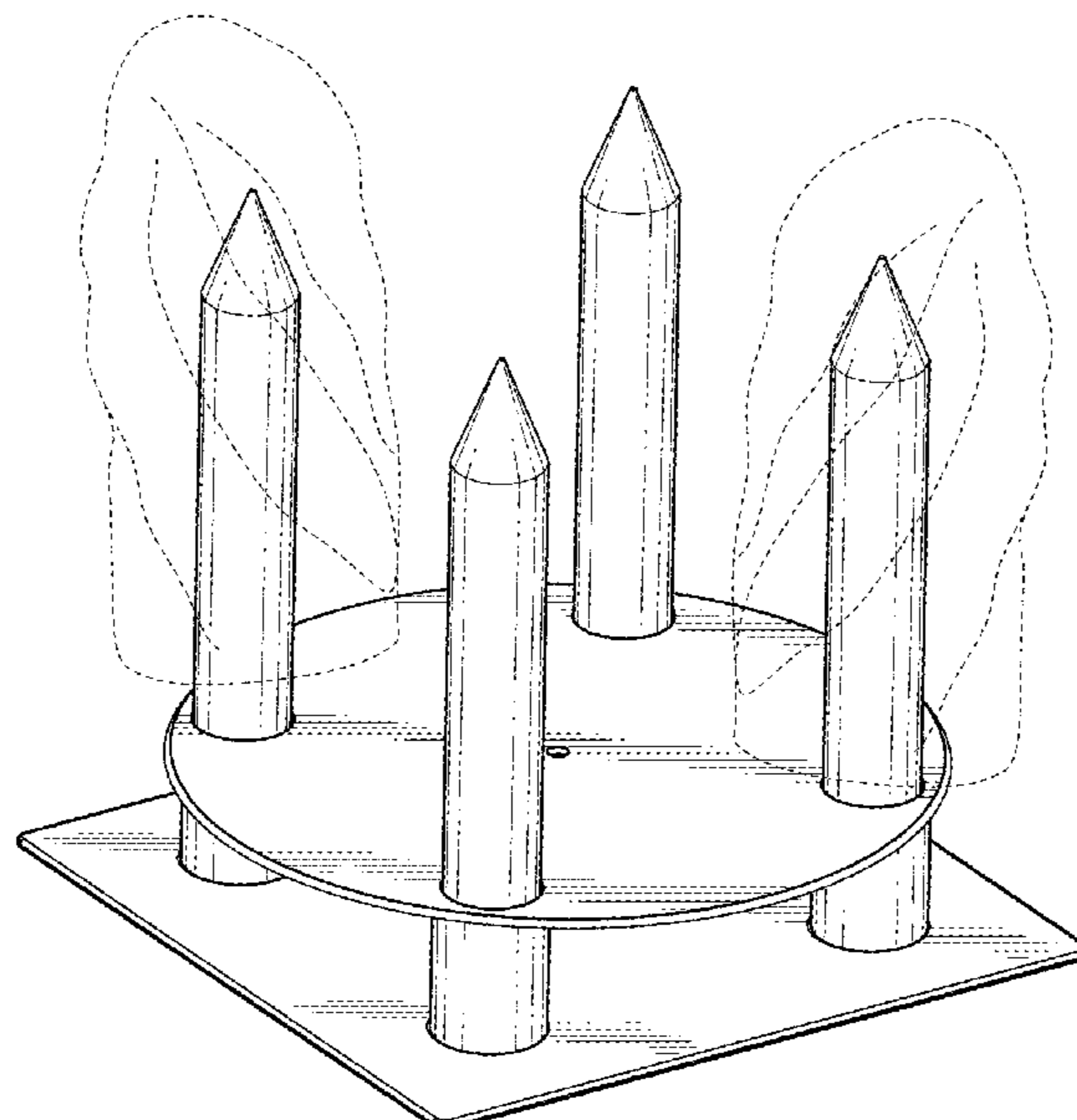
FIG. 1 is an upper perspective view of an embodiment of the bread toaster spikes;
FIG. 2 is a lower perspective view of the bread toaster spikes shown in FIG. 1;
FIG. 3 is an upper perspective view of another embodiment of the bread toaster spikes;
FIG. 4 is an upper perspective view of yet another embodiment of the bread toaster spikes;
FIG. 5 is an exploded view of the bread toaster spikes shown in FIG. 1;
FIG. 6 is a top view of the bread toaster spikes shown in FIG. 1;
FIG. 7 is a right side view of the bread toaster spikes shown in FIG. 1, which view is identical to the left side view;
FIG. 8 is a front view of the bread toaster spikes shown in FIG. 1, which view is identical to the rear view;
FIG. 9 is a bottom view of the bread toaster spikes shown in FIG. 1; and,
FIG. 10 is the cross-section view of the bread toaster spikes, along the plane shown in FIG. 6.
The broken lines shown in the figures are for illustrative purposes only and form no part of the claimed design.

(56) **References Cited**

U.S. PATENT DOCUMENTS

1,630,188 A * 5/1927 Knauff 99/419
1,890,907 A * 12/1932 Hoover 99/419
1,969,601 A * 8/1934 Foch 99/419
2,111,456 A * 3/1938 Markle, Jr. 269/54.5

1 Claim, 5 Drawing Sheets



(56)

References Cited

U.S. PATENT DOCUMENTS

D634,909 S *	3/2011	Guthrie	D32/55
8,110,237 B2 *	2/2012	Smith	426/523
8,397,630 B2 *	3/2013	Oswald	99/346

* cited by examiner

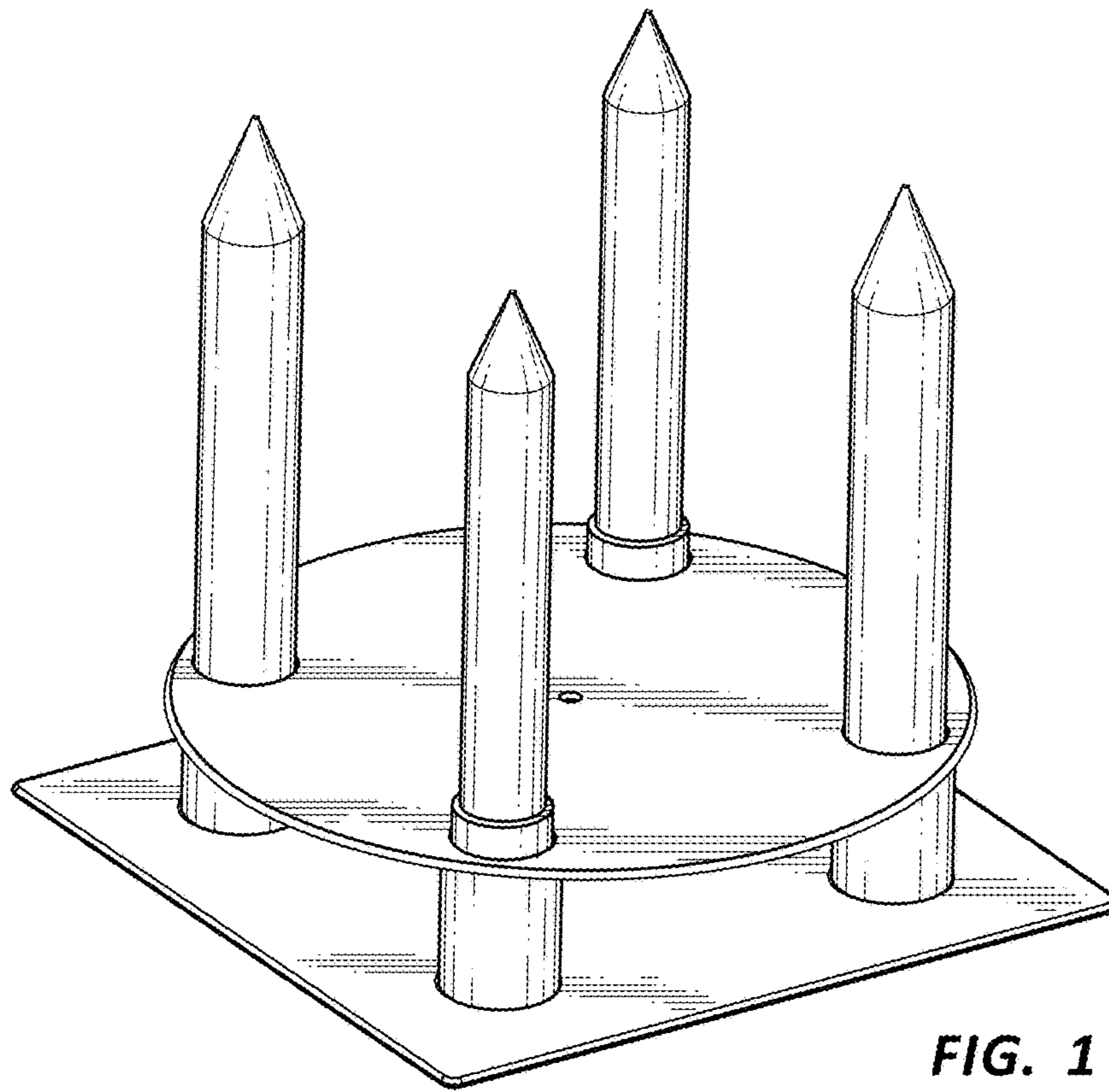


FIG. 1

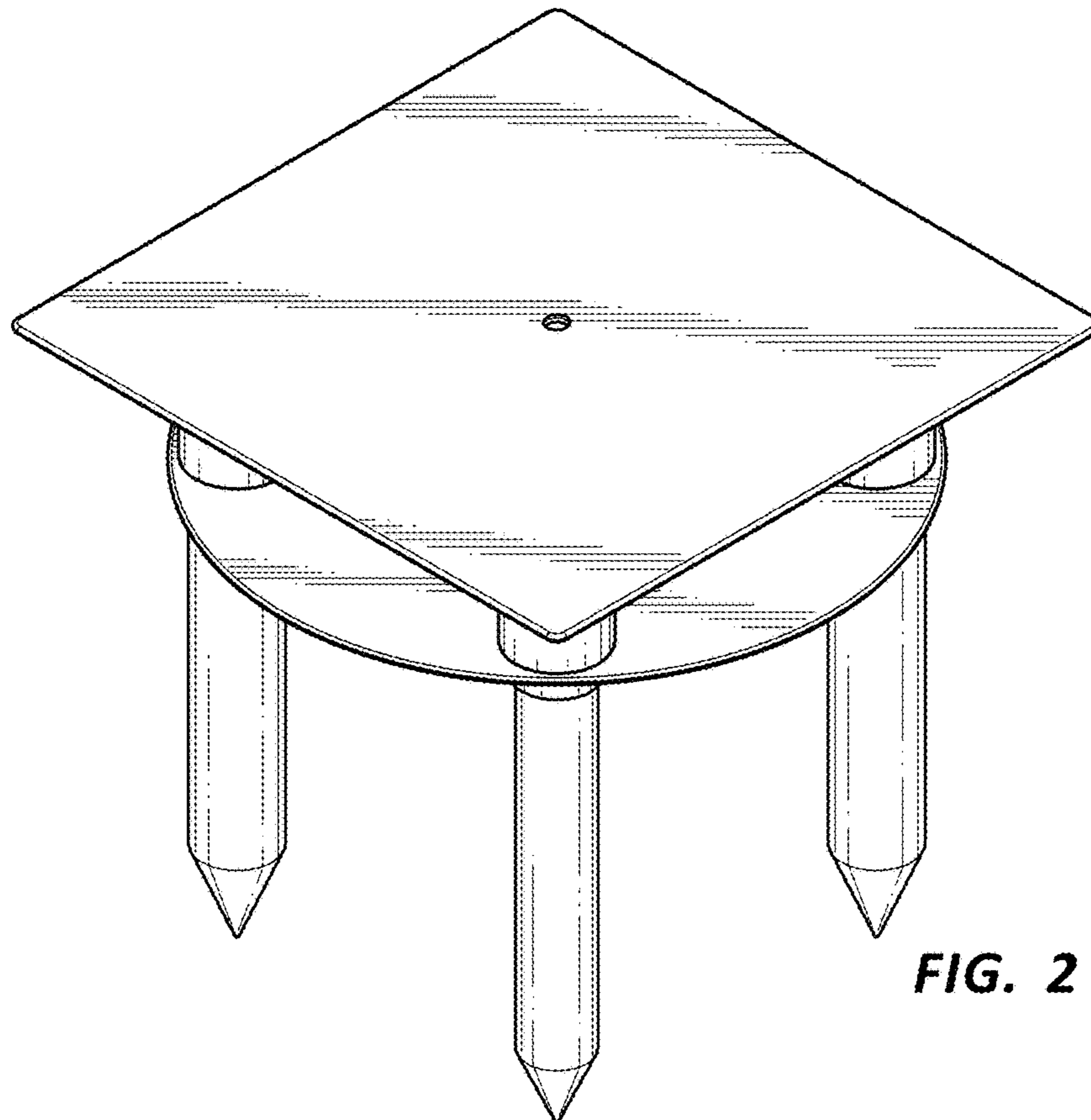


FIG. 2

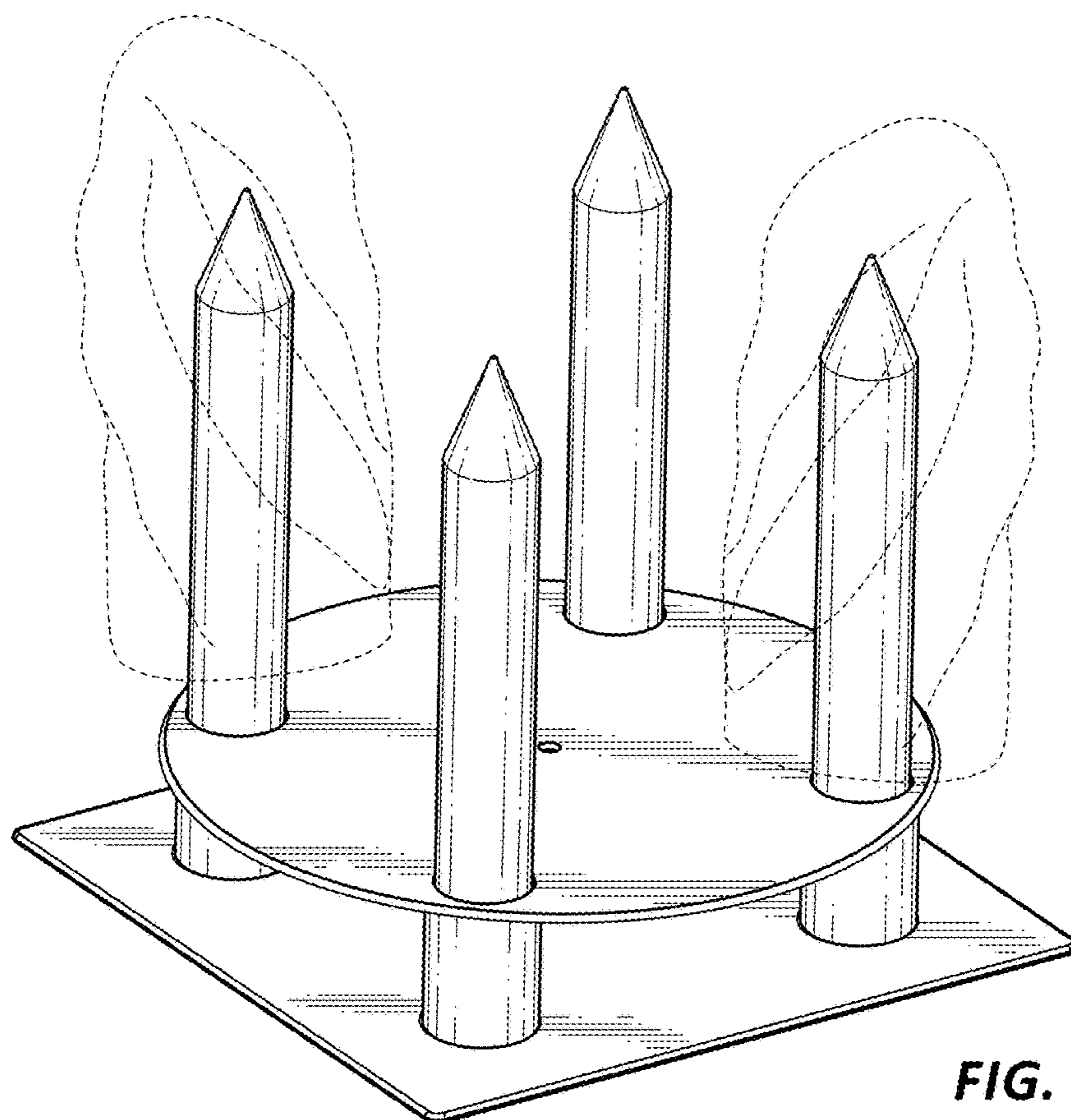


FIG. 3

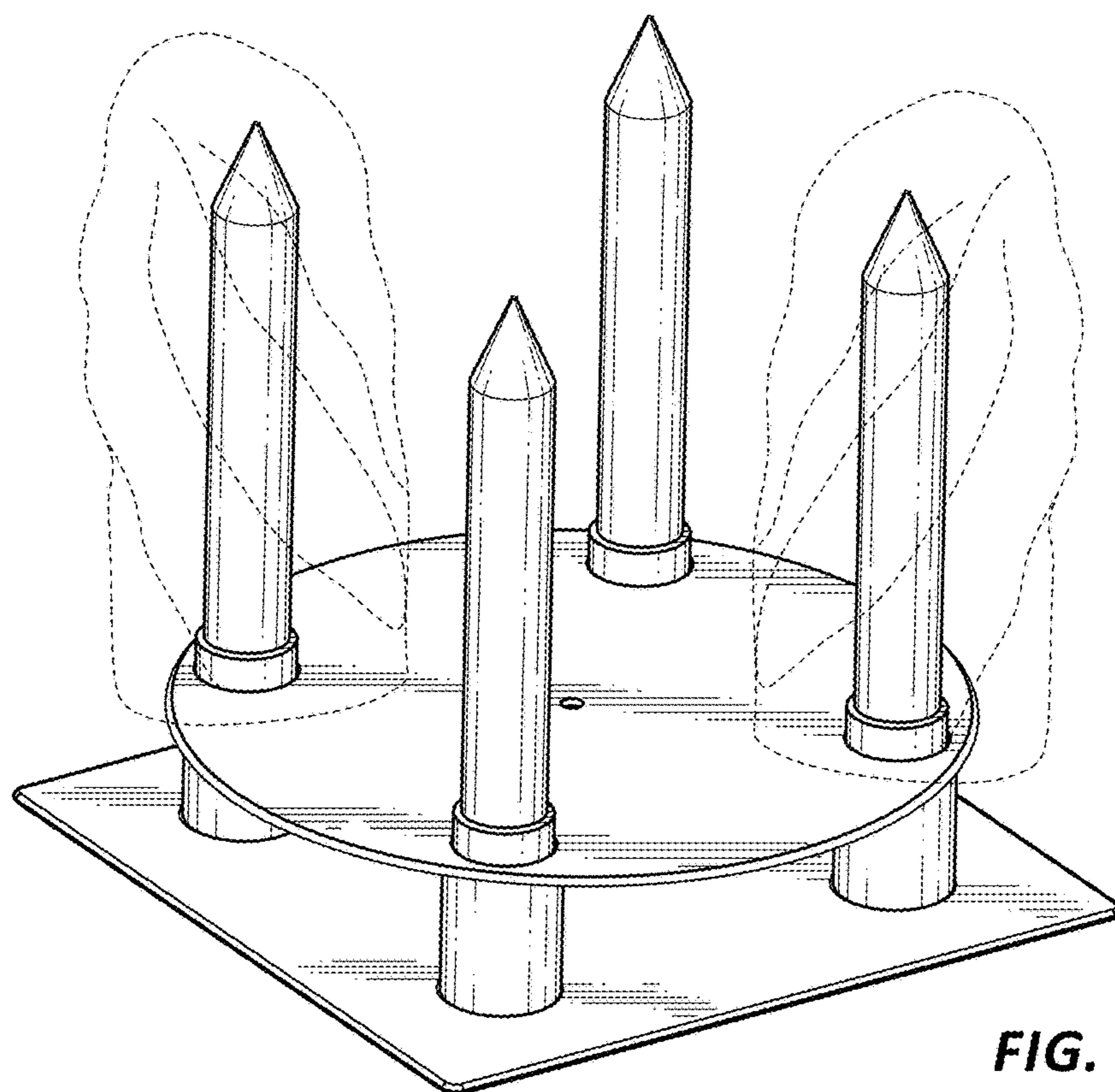


FIG. 4

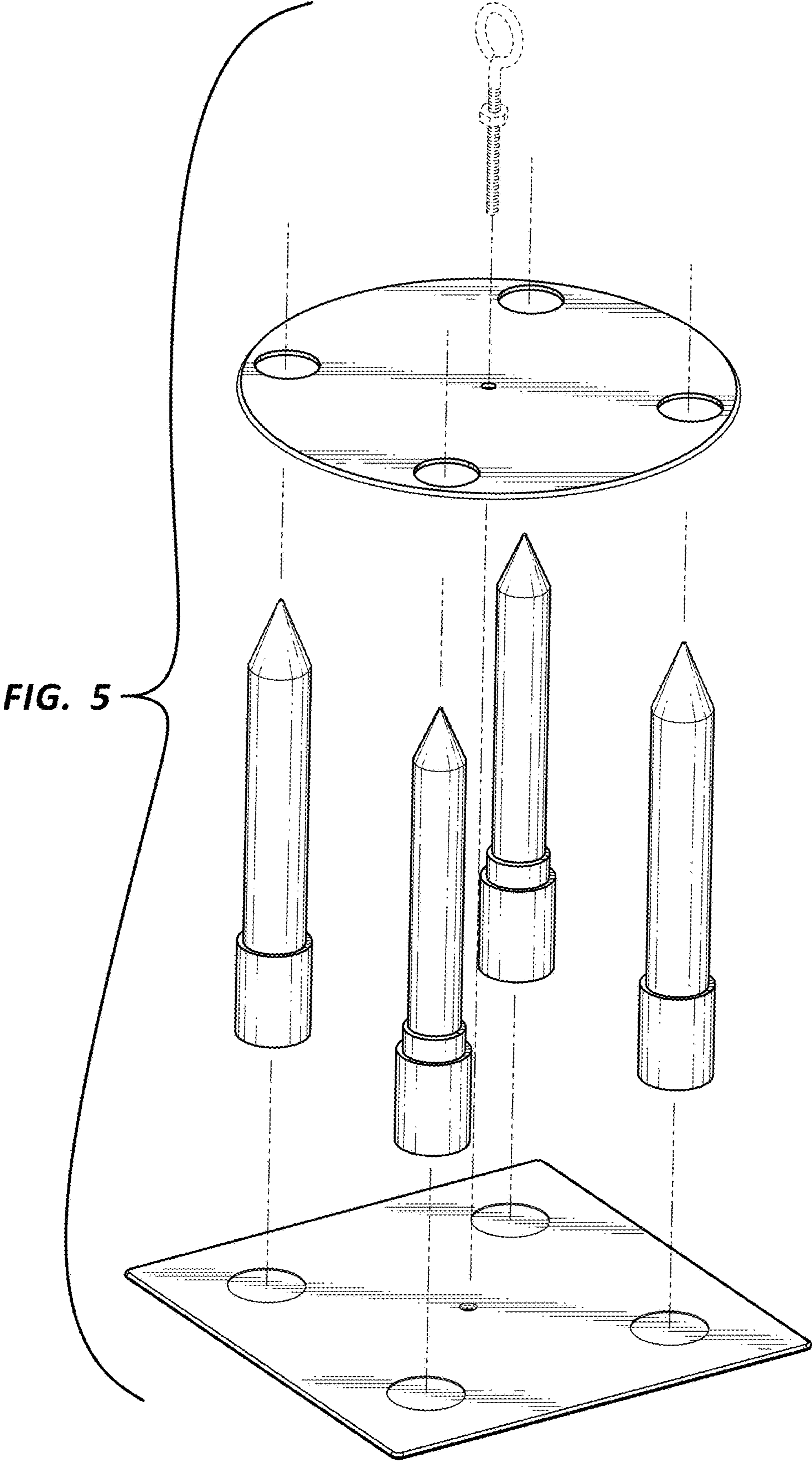


FIG. 6

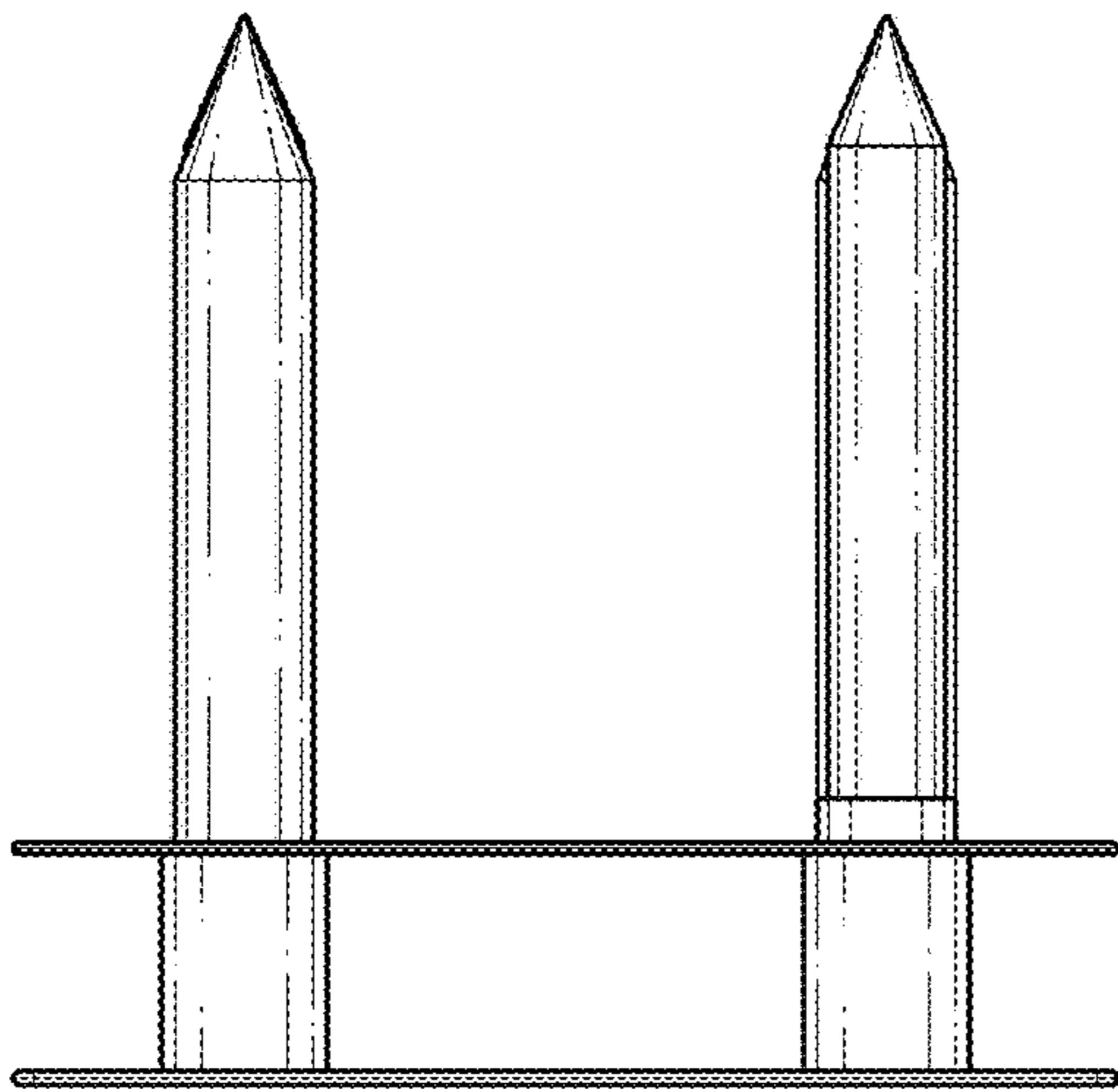
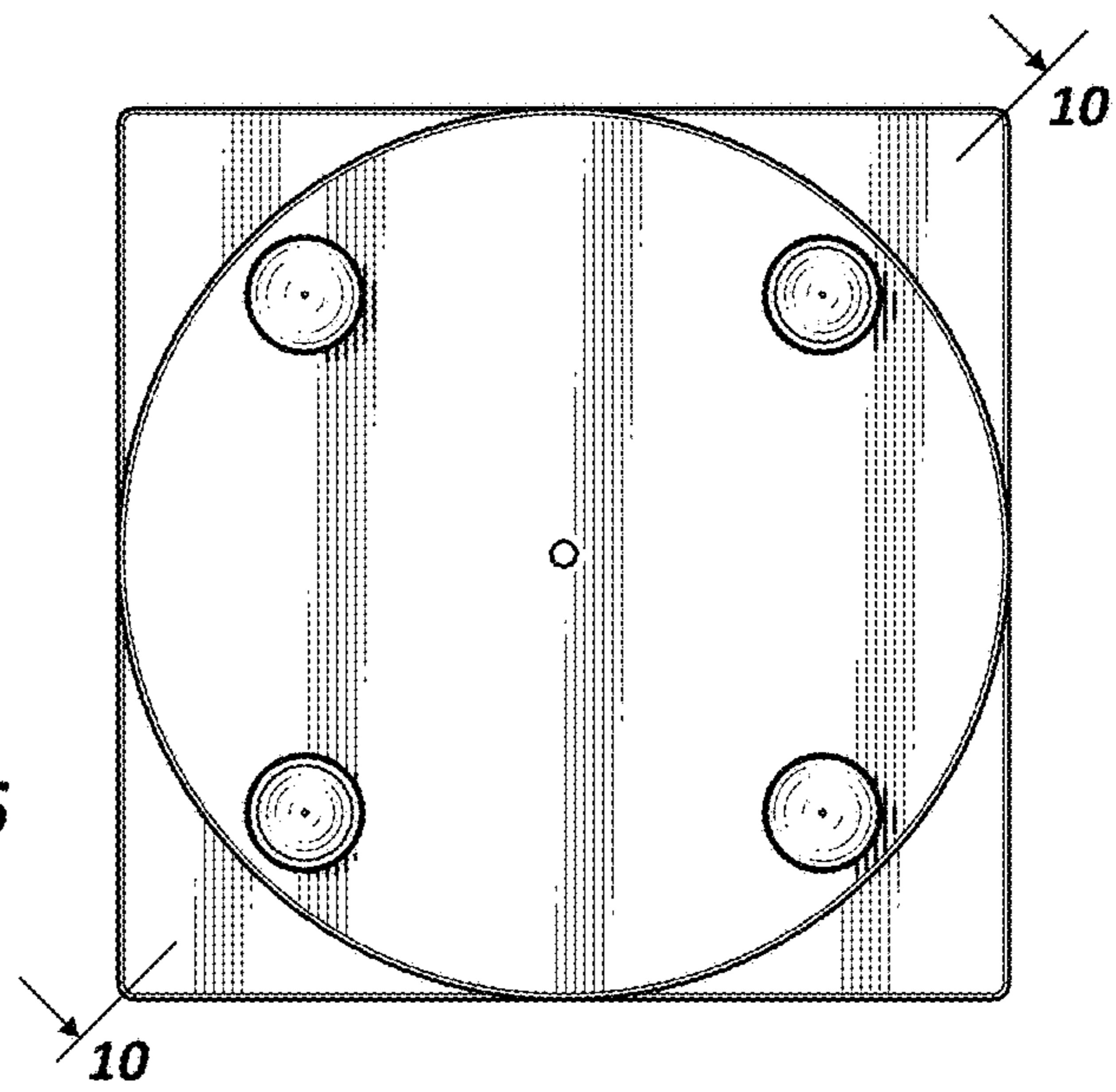


FIG. 7

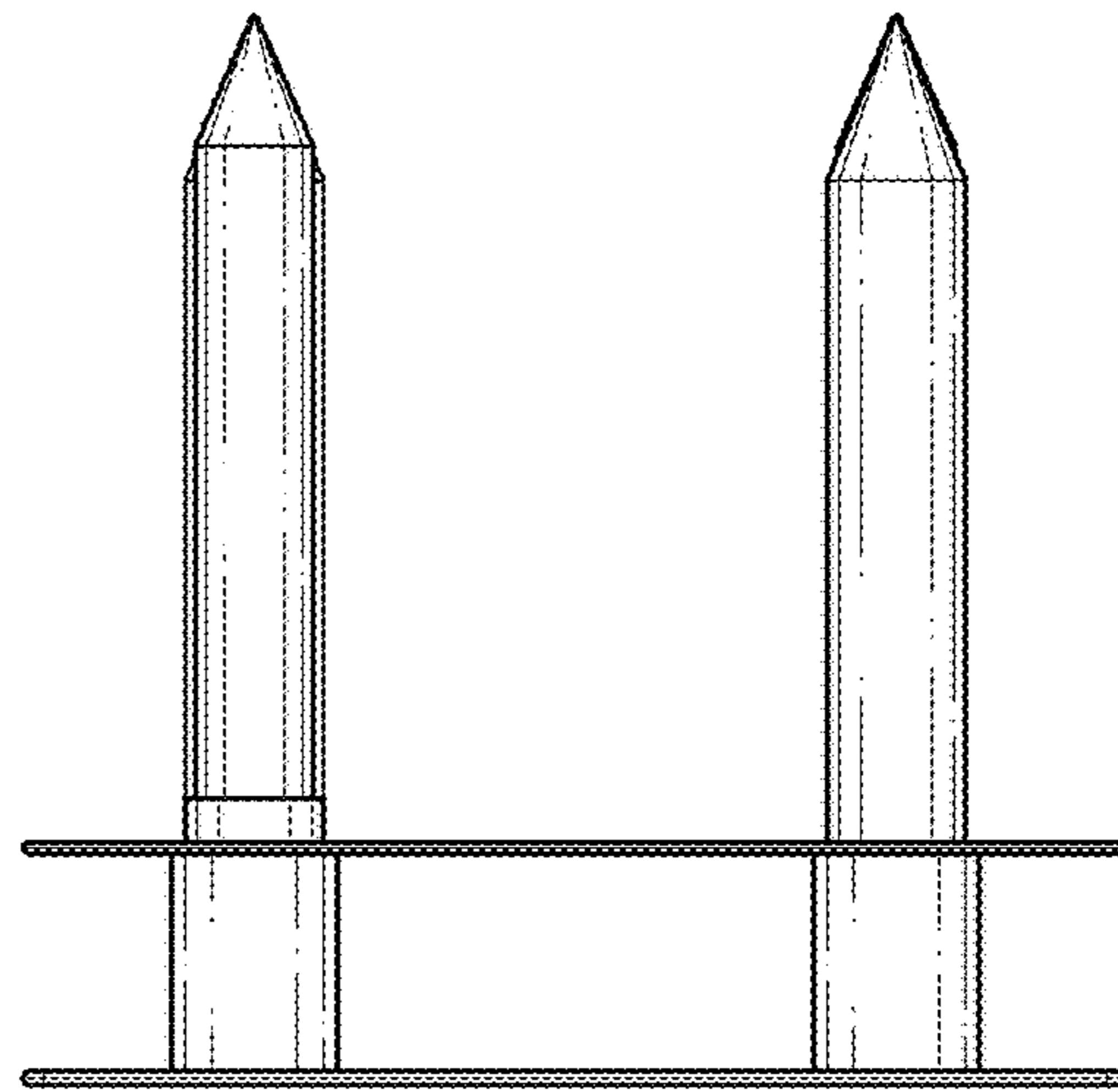
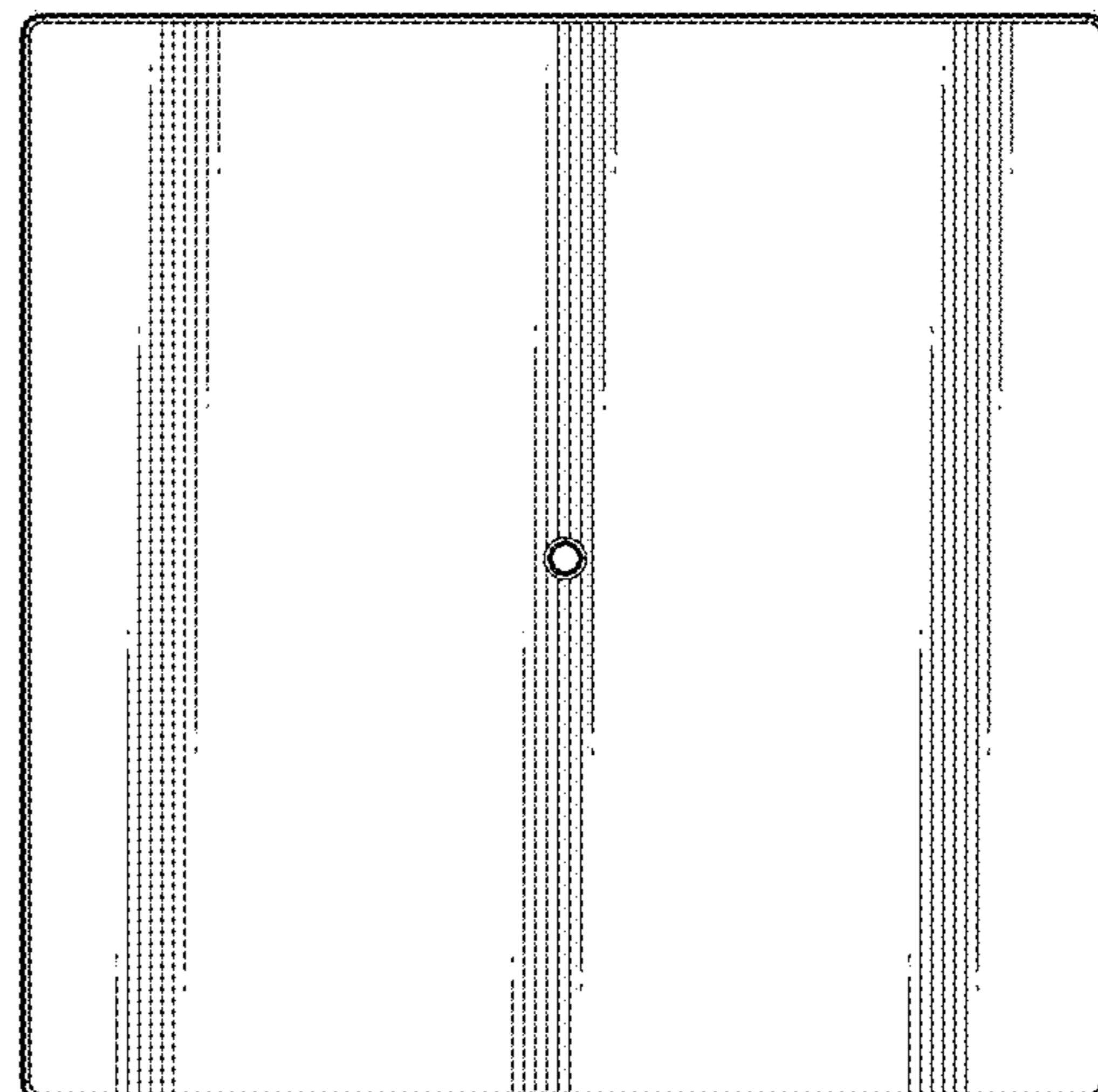


FIG. 8

FIG. 9



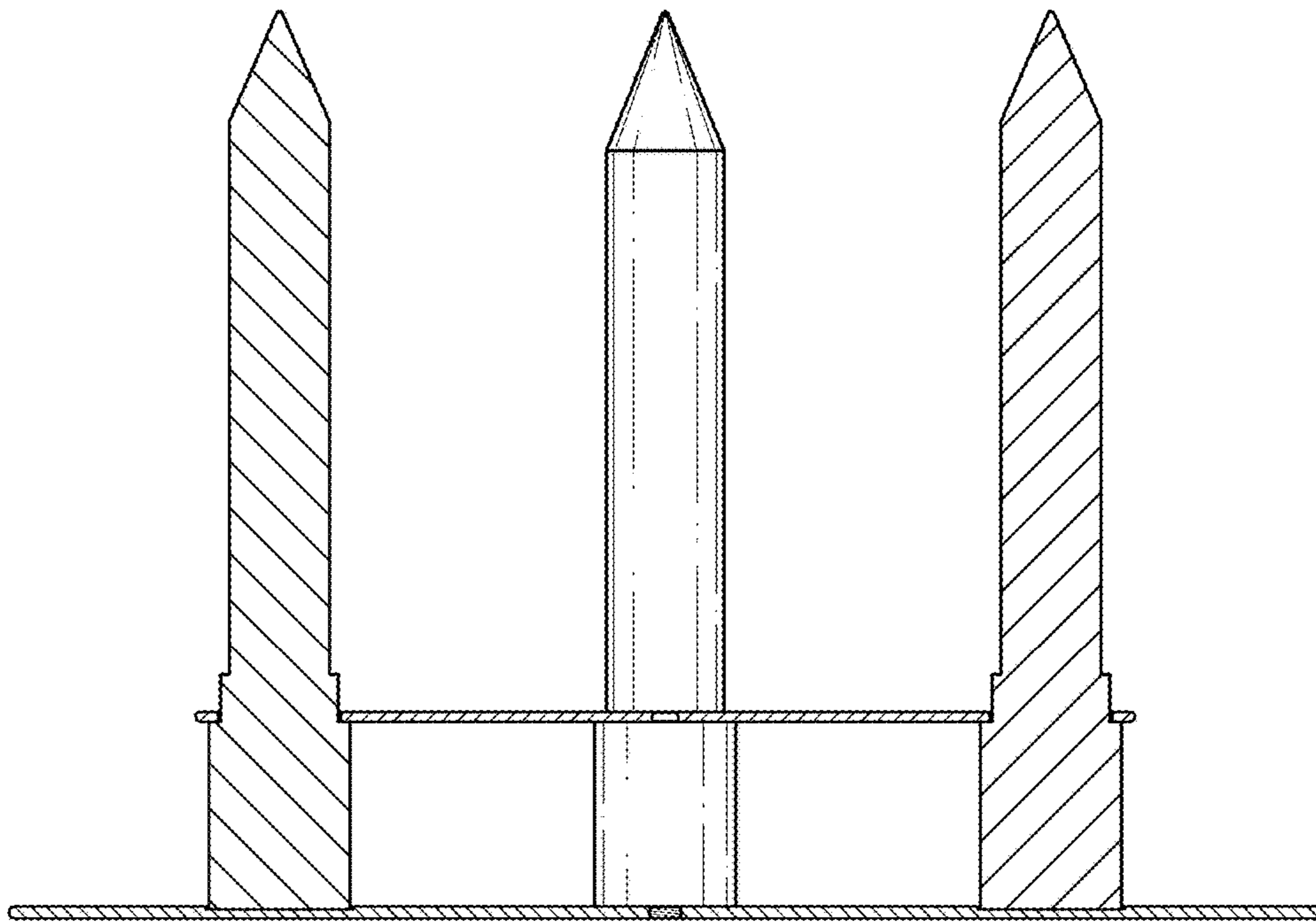


FIG. 10