



US00D782245S

(12) **United States Design Patent**
Ellsworth et al.

(10) **Patent No.:** **US D782,245 S**
(45) **Date of Patent:** **** Mar. 28, 2017**

(54) **DRINKING CONTAINER WITH SPINNER MECHANISM**

B65D 43/12; B65D 23/06; A61J 2205/20;
A61J 2200/72; A61J 9/02; A61J 9/08;
B67D 1/16

(71) Applicant: **Ingeniri, LLC**, Long Beach, CA (US)

See application file for complete search history.

(72) Inventors: **Sky Ellsworth**, Long Beach, CA (US);
Daniel Massie, Mission Viejo, CA (US);
Claire Massie, Mission Viejo, CA (US);
Satish Yalamanchili, Irvine, CA (US)

(56) **References Cited**

U.S. PATENT DOCUMENTS

4,448,316 A *	5/1984	Hiroshige	B65D 77/283 215/229
4,993,584 A *	2/1991	Macario	A47G 19/32 220/523
5,150,815 A *	9/1992	Saklad	A47G 19/2227 215/12.1
5,265,757 A *	11/1993	Wu	A47G 19/2266 220/707

(73) Assignee: **Ingeniri, LLC**, Long Beach, CA (US)

(**) Term: **14 Years**

(21) Appl. No.: **29/523,118**

(Continued)

(22) Filed: **Apr. 7, 2015**

Primary Examiner — Marianne Pandozzi

(51) **LOC (10) Cl.** **07-01**

Assistant Examiner — Jae Liang

(52) **U.S. Cl.**

(74) *Attorney, Agent, or Firm* — Eric Karich; Karich & Associates

USPC **D7/392.1**; D7/369.2; D7/300.2;
D7/507; D9/436

(57) **CLAIM**

(58) **Field of Classification Search**

The ornamental design for a drinking container with spinner mechanism, as shown and described.

USPC D7/507, 509, 510, 511, 513, 523, 529,
D7/532, 533, 534, 300, 300.1, 591, 608,
D7/392, 392.1, 396.1, 396.2, 900, 394,
D7/393, 300.2; D9/500, 501, 502, 503,
D9/504, 516, 517, 525, 435, 436, 440,
D9/442, 443, 449, 434, 556, 438, 538,
D9/447, 445, 563, 554, 550, 546, 545,
D9/446, 455, 415; D3/202; 222/480,
222/507, 546, 548, 553; 220/210, 212.5,
220/703, 709, 711, 523, 288, 710.5, 717,
220/200; 215/12.1, 216, 11.4, 11.5, 11.1;
40/310, 324; D19/20; D20/18, 19, 22;
D8/394; D24/197

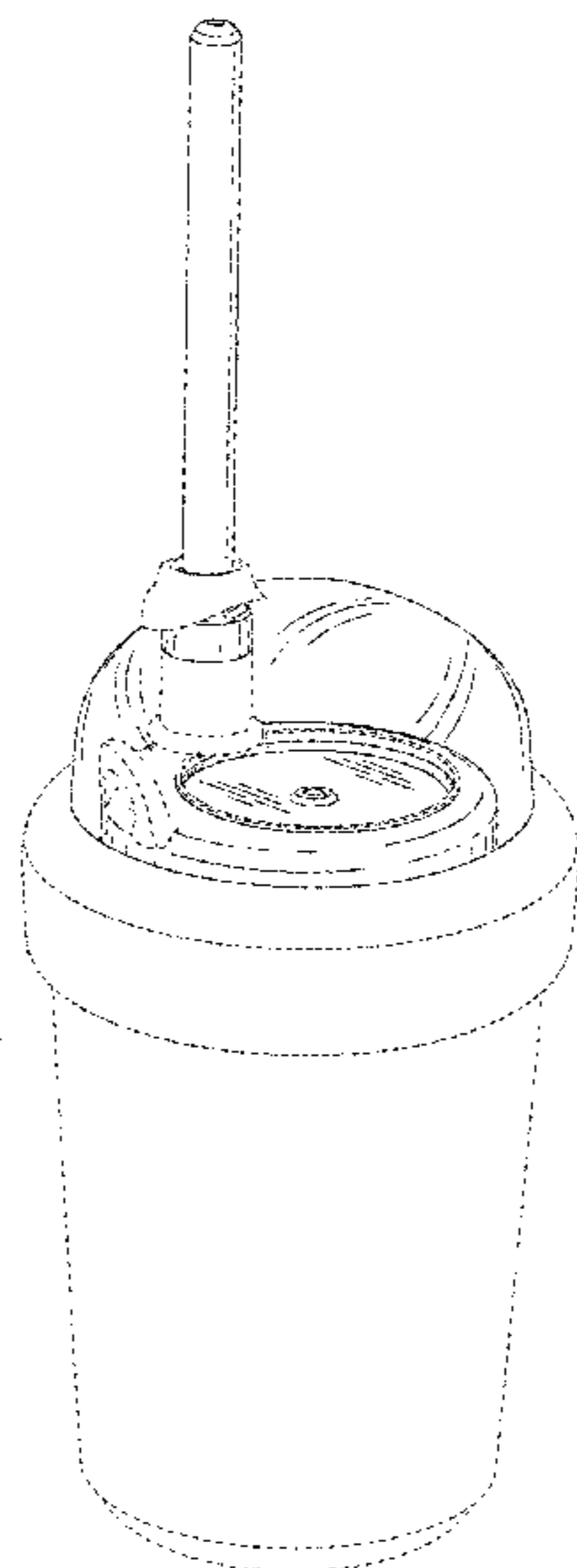
DESCRIPTION

CPC B65D 23/02; B65D 39/0052; B65D 39/0082;
B65D 39/0076; B65D 39/007; B65D
43/0277; B65D 43/0279; B65D 43/0285;

FIG. 1 is a perspective view of a drinking container with spinner mechanism showing our new design;
FIG. 2 is a rear elevational view thereof;
FIG. 3 is a front elevational view thereof;
FIG. 4 is a left side elevational view thereof
FIG. 5 is a right side elevational view thereof;
FIG. 6 is a top plan view thereof; and,
FIG. 7 is a bottom plan view thereof.

The broken lines in the drawings depict portions of the drinking container with spinner mechanism that form no part of the claimed design.

1 Claim, 6 Drawing Sheets



(56)

References Cited

U.S. PATENT DOCUMENTS

5,337,918 A * 8/1994 Wang B65D 47/2012
215/229
5,361,934 A * 11/1994 Spence, Jr. A47G 19/2266
215/388
D407,946 S * 4/1999 Brewer D7/507
6,915,961 B2 * 7/2005 Renz A47G 21/18
215/11.1
D573,017 S * 7/2008 Henderson D9/436
D755,013 S * 5/2016 Khubani D7/507
2015/0144628 A1 * 5/2015 Piper B29D 99/0096
220/212
2015/0290081 A1 * 10/2015 Kropczynski A61J 1/1412
604/244

* cited by examiner

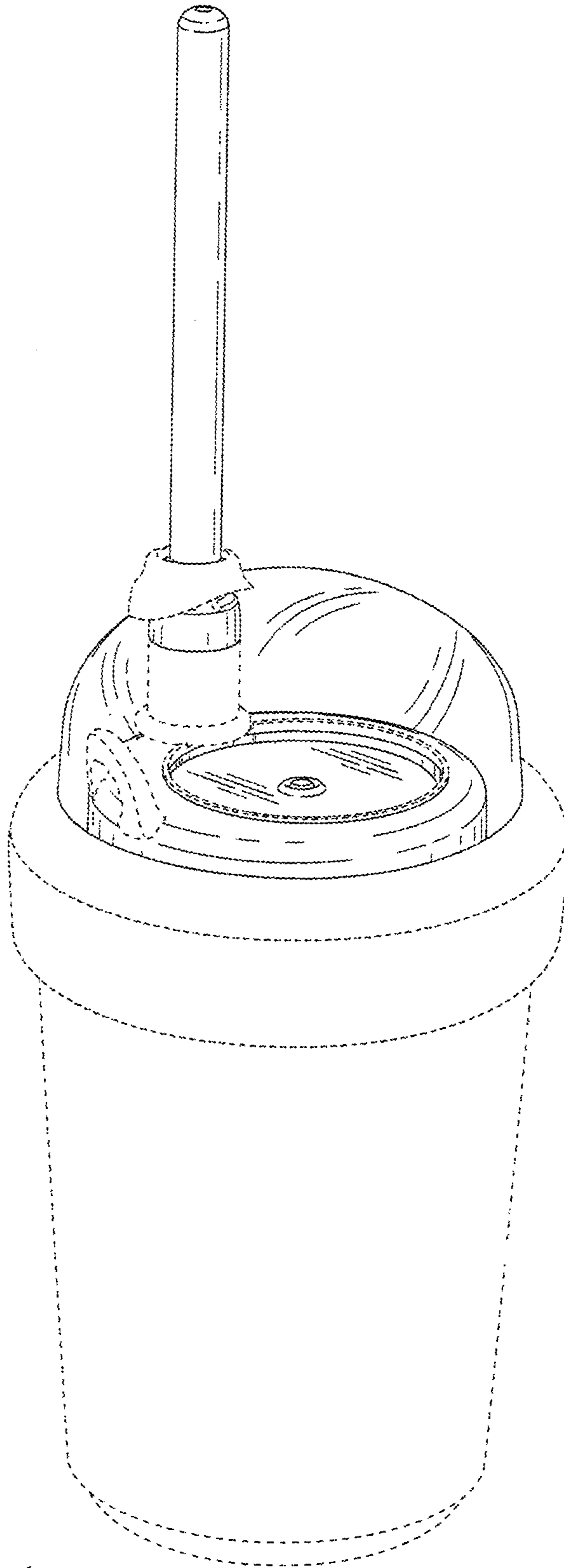


Fig. 1

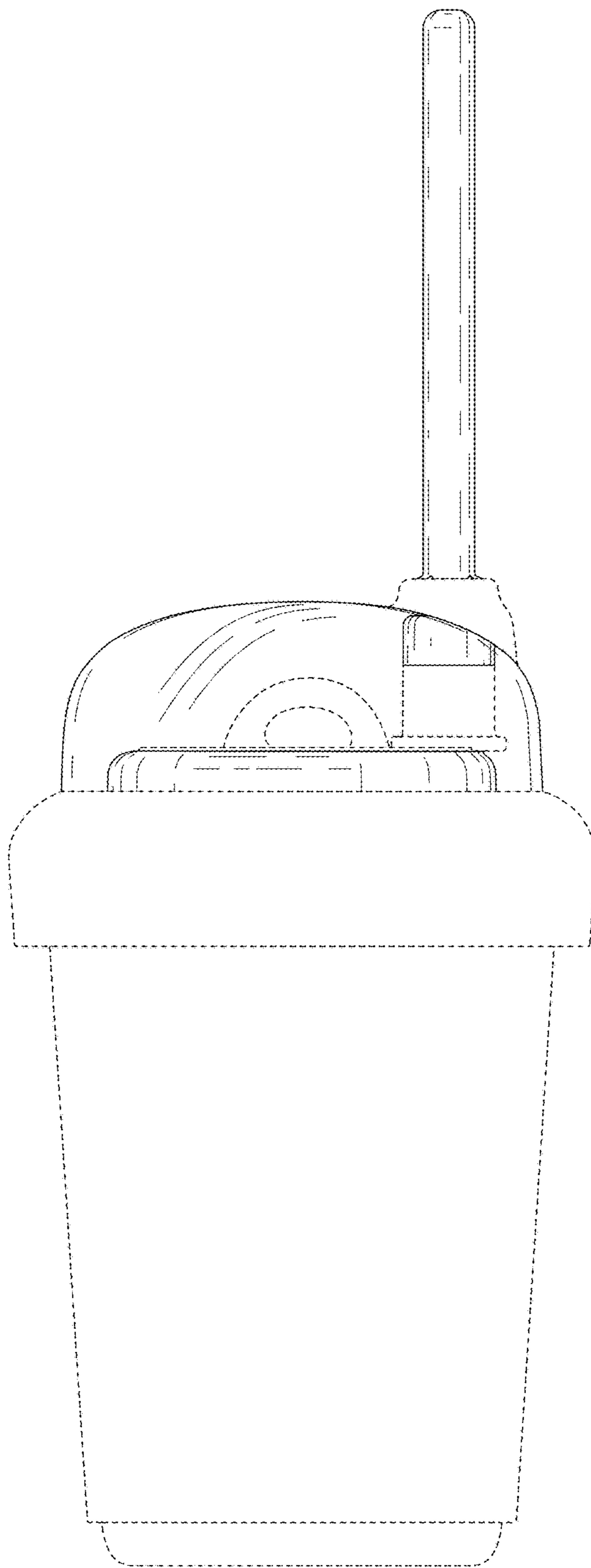


Fig. 2

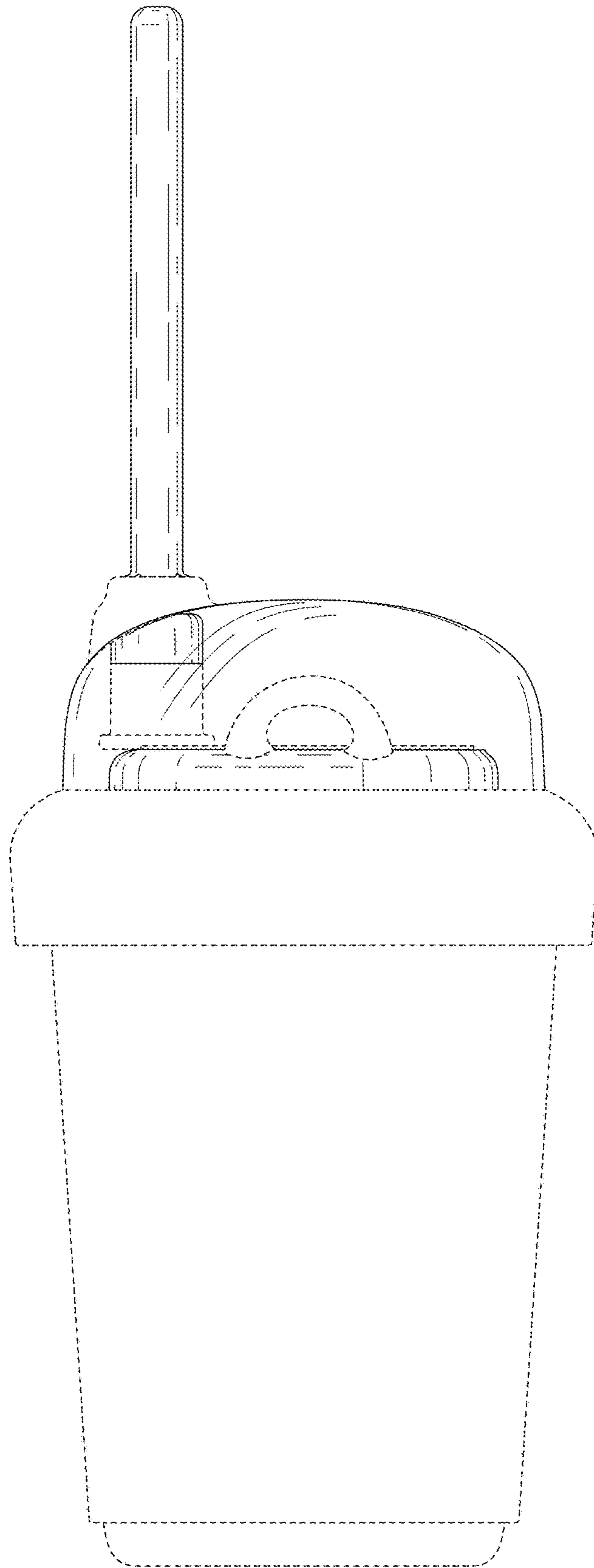


Fig. 3

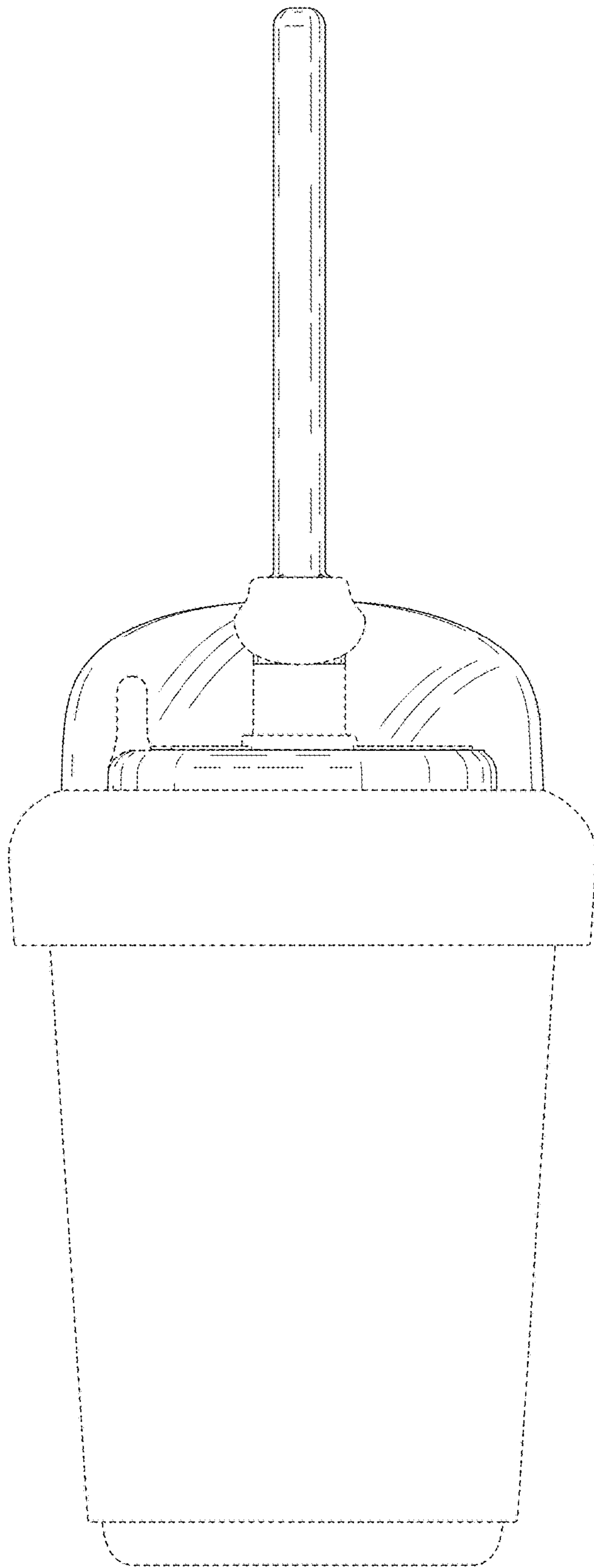


Fig. 4

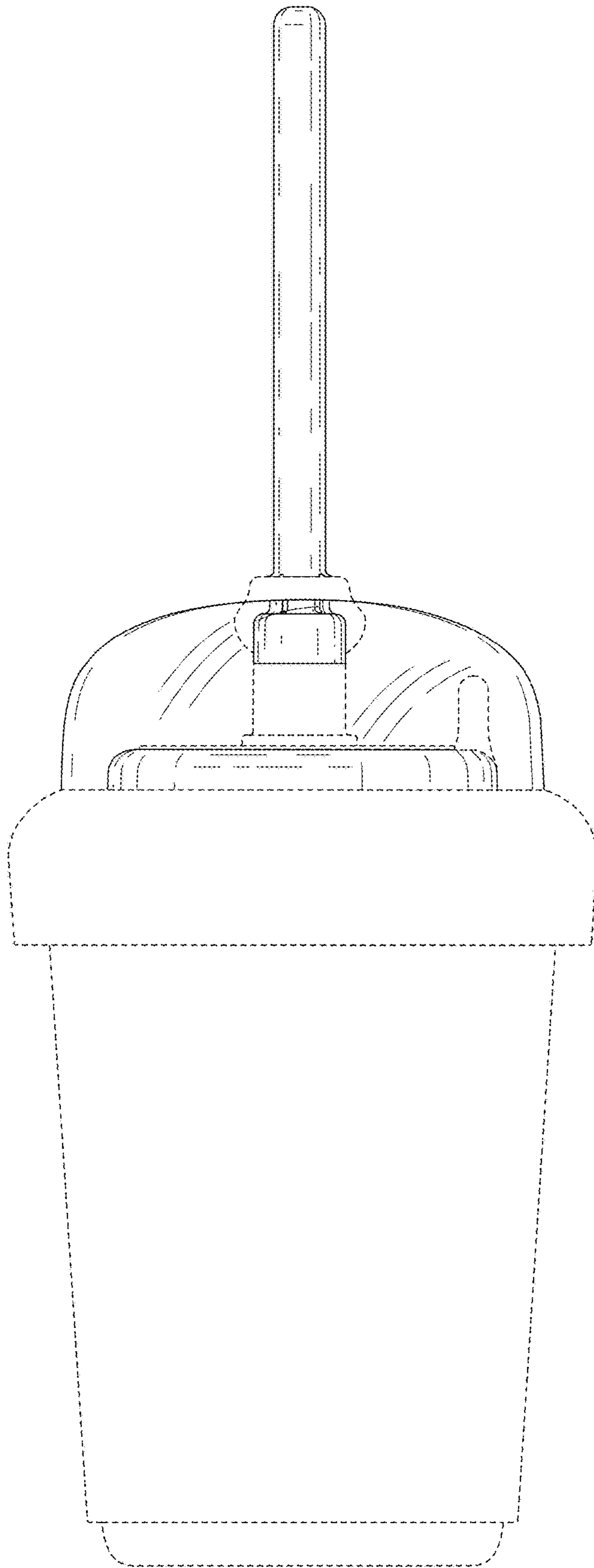


Fig. 5

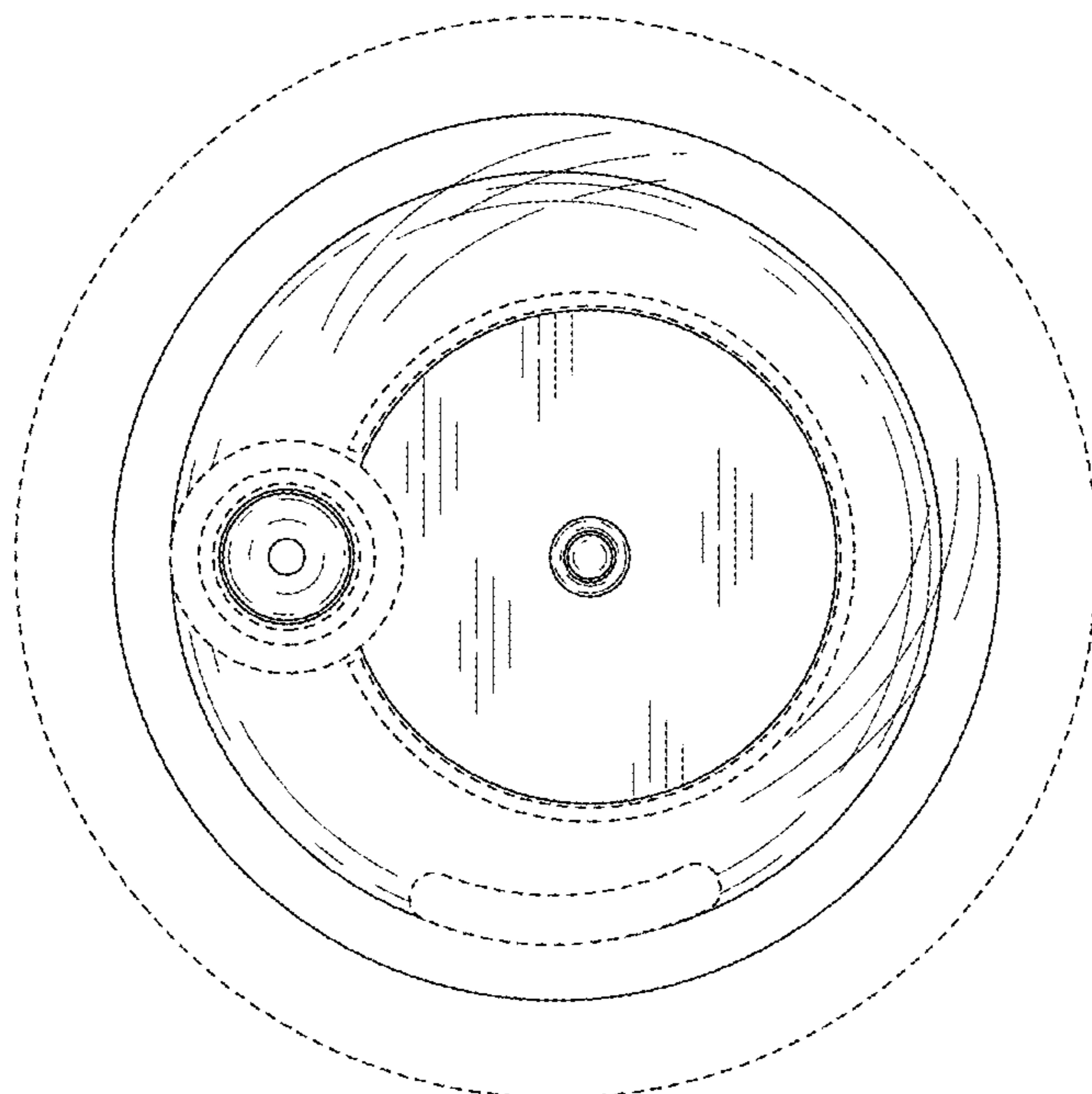


Fig. 6

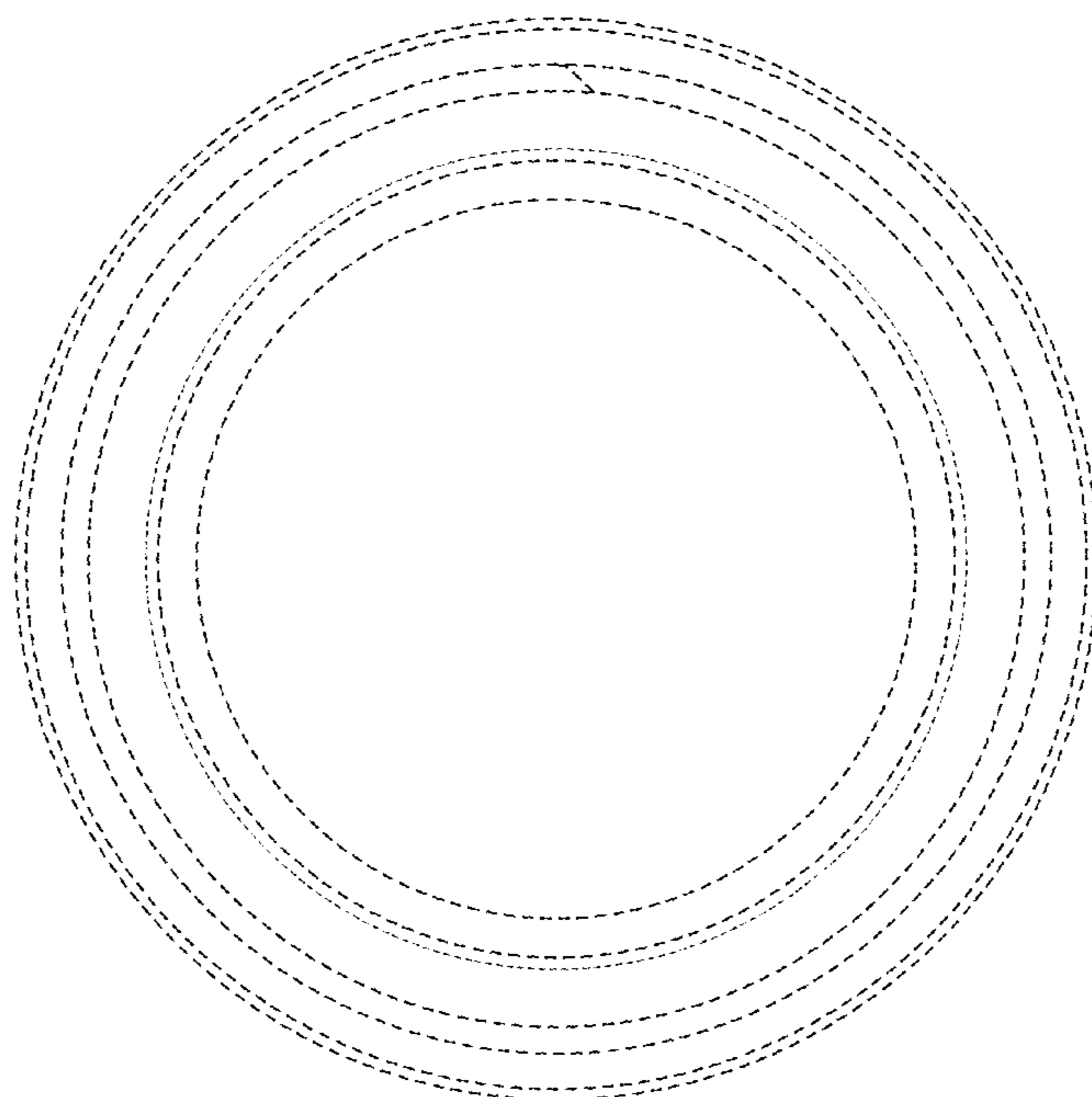


Fig. 7