



US00D782244S

(12) **United States Design Patent** (10) **Patent No.:** **US D782,244 S**
Harris (45) **Date of Patent:** **** Mar. 28, 2017**

(54) **FOOD PROCESSING APPARATUS**
(71) Applicant: **Columbia Insurance Company,**
Omaha, NE (US)
(72) Inventor: **E. Mark Harris,** McHenry, IL (US)
(73) Assignee: **COLUMBIA INSURANCE**
COMPANY, Omaha, NE (US)
(**) Term: **15 Years**
(21) Appl. No.: **29/549,144**

5,363,756 A 11/1994 Muro
5,513,810 A * 5/1996 Lin B26D 3/225
241/168
D378,182 S * 2/1997 Wong D7/693
D390,745 S * 2/1998 Leverrier D7/381
D414,384 S * 9/1999 Schulein D7/693
D507,455 S * 7/2005 Bertulis D15/82
D518,688 S * 4/2006 Overthun D7/693
D553,133 S * 10/2007 Yu D14/426
8,136,443 B2 3/2012 Lee et al.
D673,425 S * 1/2013 Brinckerhoff D7/376
D680,390 S * 4/2013 Dichraff D7/381
8,596,192 B2 12/2013 Hauser et al.

(Continued)

(22) Filed: **Dec. 18, 2015**
(51) **LOC (10) Cl.** **31-00**
(52) **U.S. Cl.**
USPC **D7/384; D7/376; D7/378; D7/412**
(58) **Field of Classification Search**
USPC D7/372, 376-386, 412-413, 602, 629,
D7/665-666, 669, 679, 693-694;
D14/426
CPC .. A21C 1/02; A21C 1/04; A23G 9/045; A23N
1/00; A23N 1/02; A47J 43/04; A47J
43/25; A47J 43/27; A47J 43/042; A47J
43/044; A47J 43/046; A47J 43/075; A47J
43/0722; A47J 43/0727; B01F 3/00; B01F
3/0807; B01F 3/0853; B01F 13/0059;
B01F 13/0064; B02C 1/08; B02C 2/04;
B02C 4/42; B02C 4/142; B02C 4/143;
B02C 4/423; B02C 13/1835; B26D
3/225; B26D 7/00; B28C 5/10; B28C
5/12; B28C 5/14; B28C 5/16
See application file for complete search history.

FOREIGN PATENT DOCUMENTS

EP 1759819 11/2008
WO WO2004113033 12/2004

Primary Examiner — Ricky Pham

(74) Attorney, Agent, or Firm — Thompson Coburn LLP;
Matthew Himich

(57) **CLAIM**

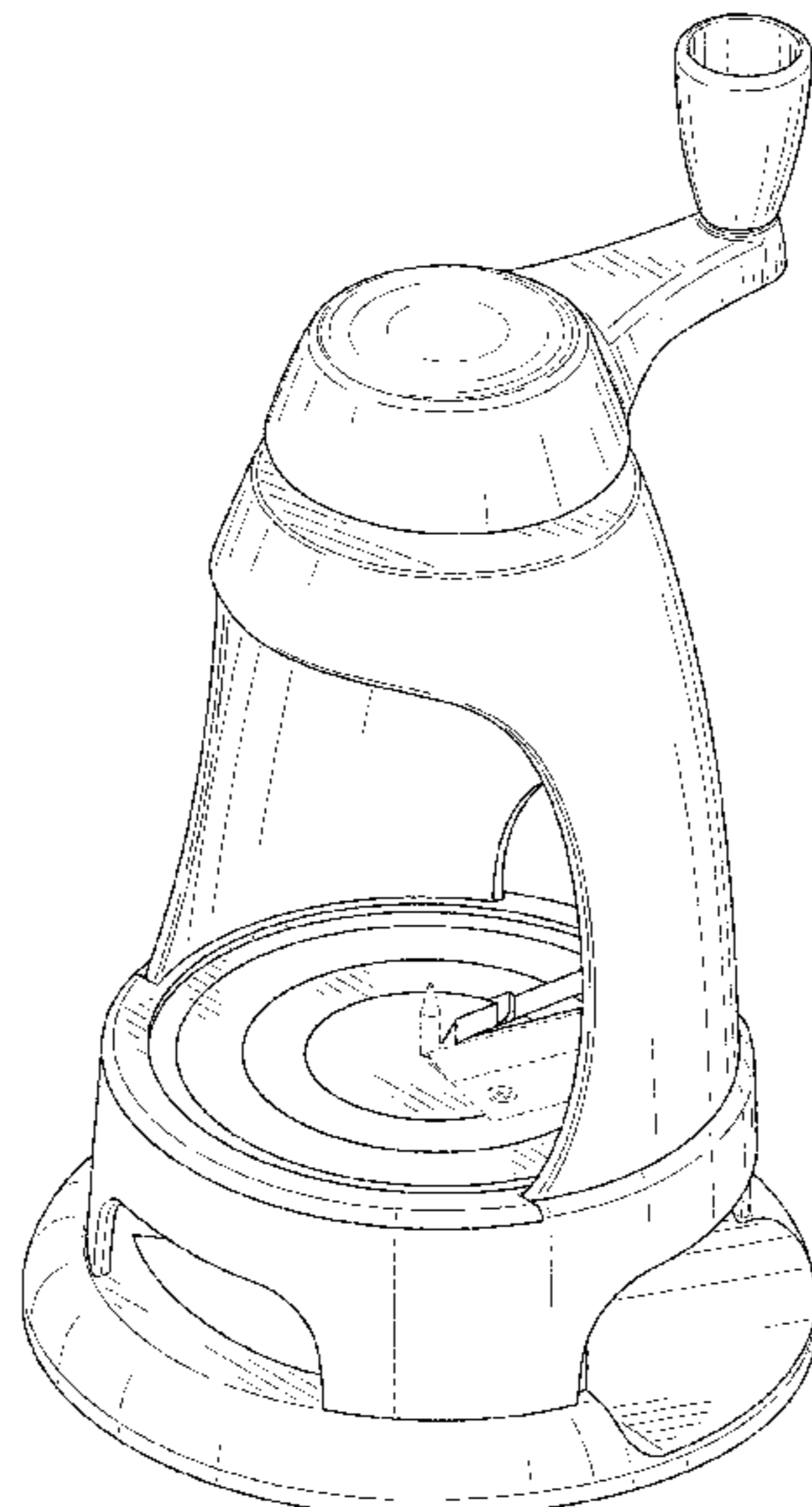
The ornamental design for a food processing apparatus, as shown and described.

DESCRIPTION

FIG. 1 is a front, right side perspective of the food processing apparatus showing my new design;
FIG. 2 is a right side elevational view thereof;
FIG. 3 is a left side elevational view thereof;
FIG. 4 is a rear elevational view thereof;
FIG. 5 is a front elevational view thereof;
FIG. 6 is a top plan view thereof; and,
FIG. 7 is a bottom plan view thereof.
The broken lines in FIGS. 1-7 of the food processing apparatus is for the purpose of illustrating environment, and forms no part of the claimed design.

(56) **References Cited**
U.S. PATENT DOCUMENTS
4,588,136 A * 5/1986 Homma A23G 9/045
241/168
D331,170 S * 11/1992 Greiner D7/382

1 Claim, 7 Drawing Sheets



(56)

References Cited

U.S. PATENT DOCUMENTS

8,991,734 B2 3/2015 May et al.
2002/0113155 A1* 8/2002 Weibel B26D 7/00
241/283
2004/0149843 A1* 8/2004 Tang A47J 43/044
241/272
2008/0307980 A1 12/2008 Lee et al.
2011/0192290 A1 8/2011 Hauser et al.

* cited by examiner

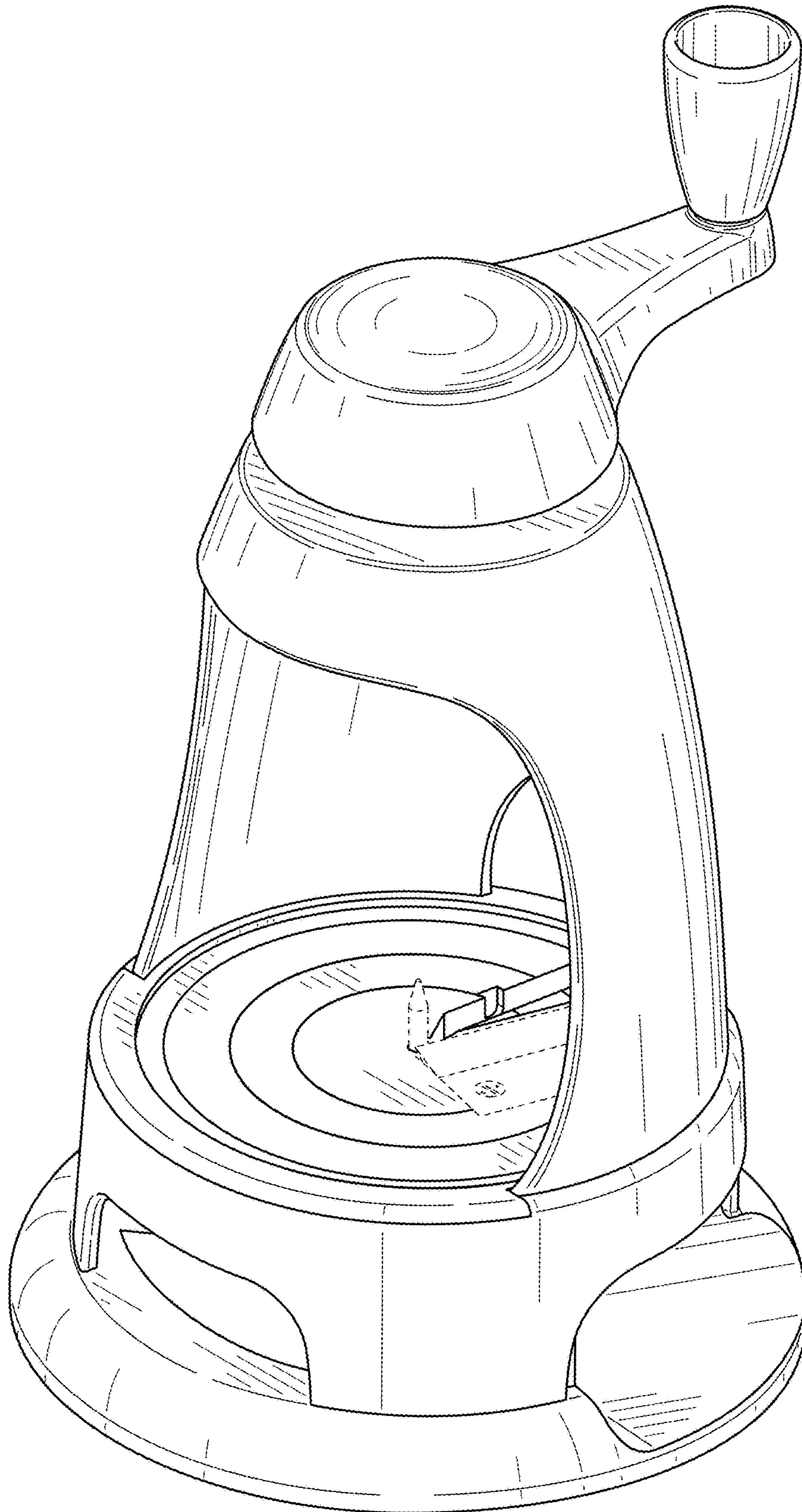


FIG. 1

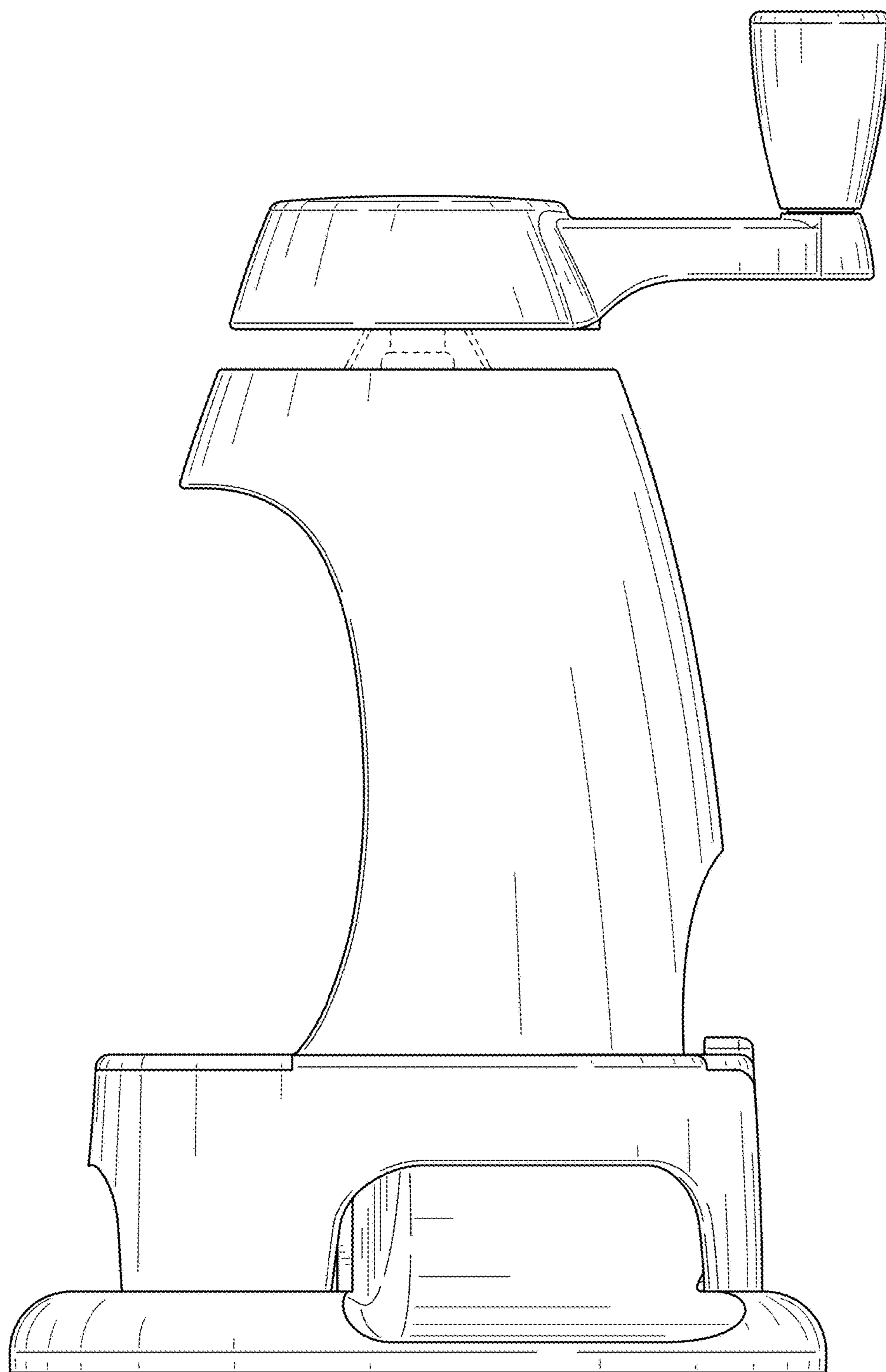


FIG. 2

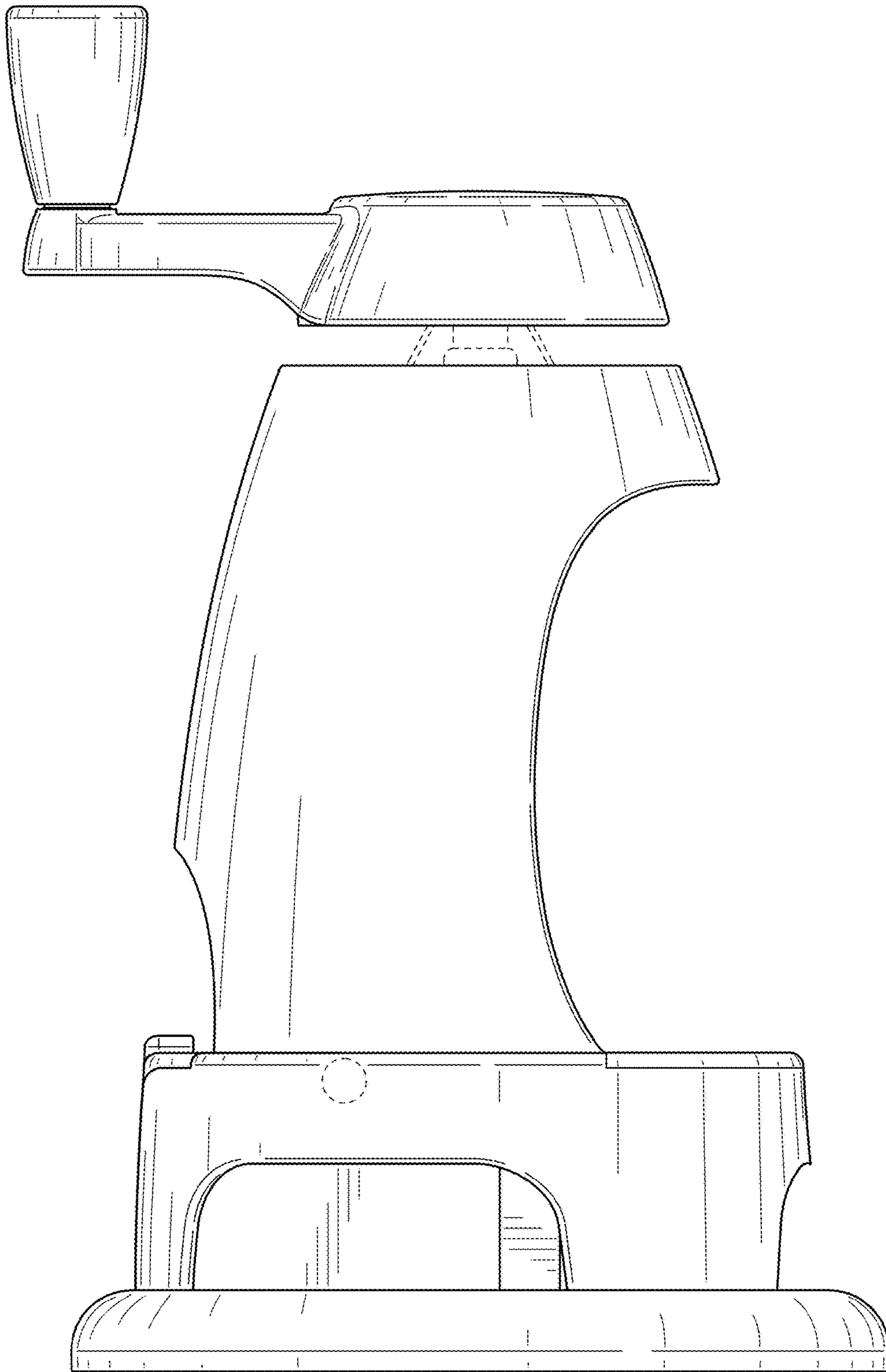


FIG. 3

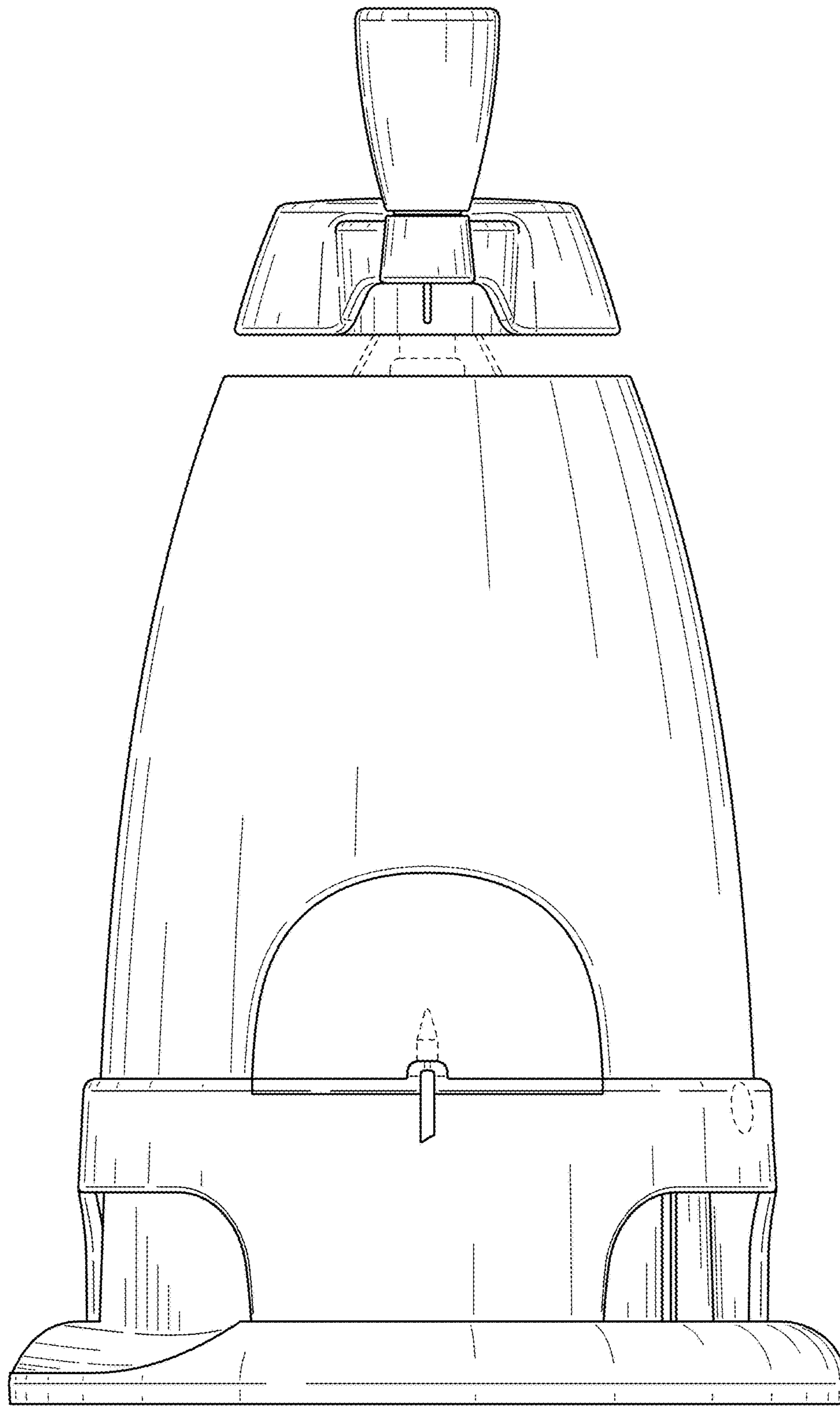


FIG. 4

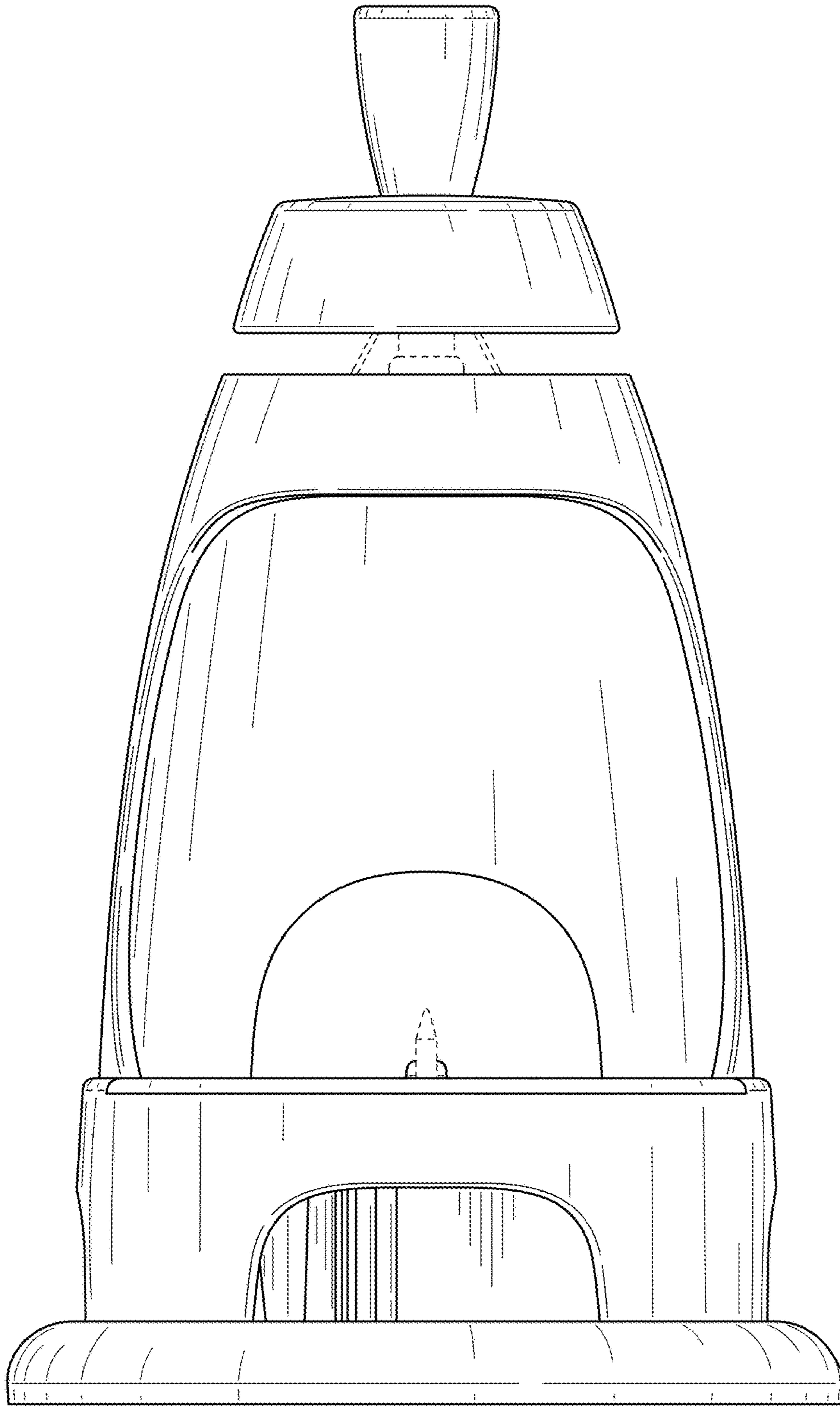


FIG. 5

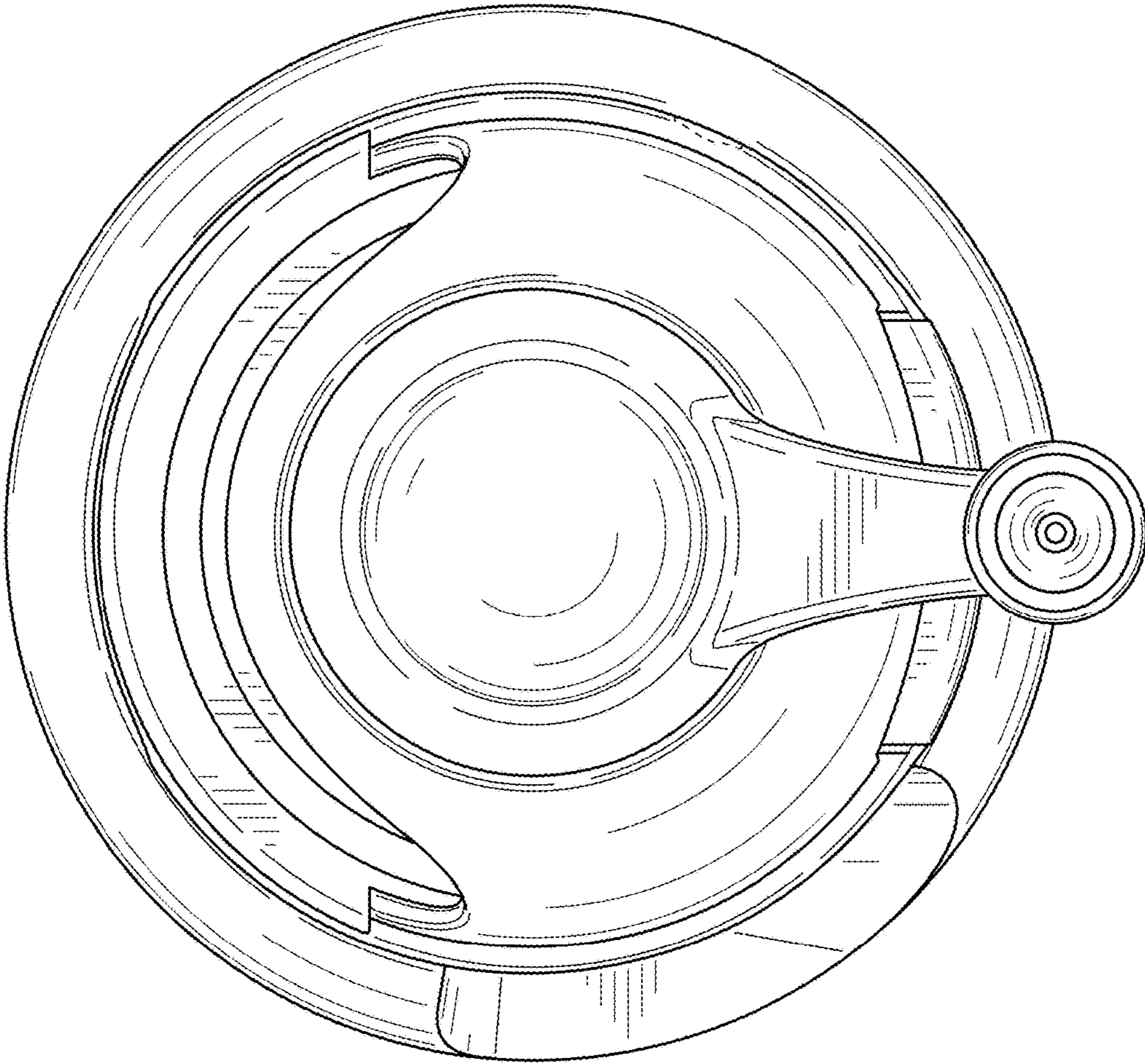


FIG. 6

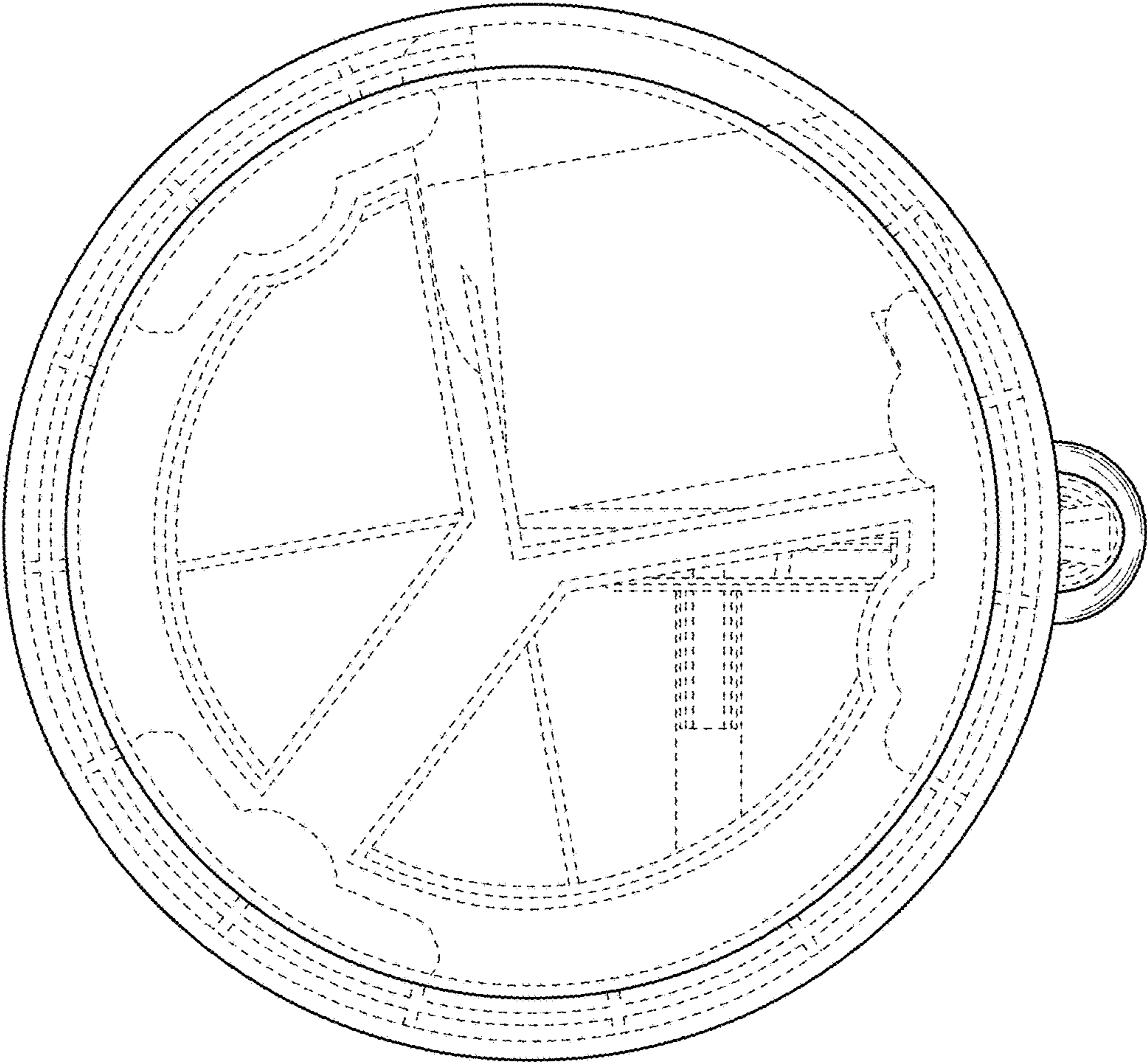


FIG. 7