



US00D782243S

(12) **United States Design Patent** (10) **Patent No.:** **US D782,243 S**  
**Gieske et al.** (45) **Date of Patent:** **\*\* Mar. 28, 2017**

(54) **FOOD CHOPPER**

4/423; B02C 13/1835; B28C 5/10; B28C 5/12; B28C 5/14; B28C 5/16

(71) Applicant: **McCormick & Company, Incorporated**, Sparks, MD (US)

See application file for complete search history.

(72) Inventors: **Thomas Koll Porter Gieske**, Lutherville, MD (US); **Tracie L. C. Wilson**, Westminster, MD (US); **Olivier Rattin**, Althen Des Paluds (FR)

(56) **References Cited**

U.S. PATENT DOCUMENTS

(73) Assignee: **MCCORMICK & COMPANY, INCORPORATED**, Sparks, MD (US)

4,139,161	A	2/1979	Hupperich	
4,685,627	A	8/1987	Lee	
6,196,481	B1	3/2001	Barbagli	
D460,825	S *	7/2002	Renz .....	D24/199
6,655,616	B1	12/2003	Wagner	
6,663,031	B2	12/2003	Henderson et al.	
6,945,486	B2	9/2005	Teng	

(Continued)

(\*\*) Term: **14 Years**

(21) Appl. No.: **29/524,521**

FOREIGN PATENT DOCUMENTS

(22) Filed: **Apr. 21, 2015**

CA	2 323 344	10/2000
DE	102 011 101 223	10/2012

(Continued)

**Related U.S. Application Data**

(63) Continuation of application No. 14/550,291, filed on Nov. 21, 2014.

*Primary Examiner* — Ricky Pham

(51) **LOC (10) Cl.** ..... **31-00**

(74) *Attorney, Agent, or Firm* — Greenblum & Bernstein, P.L.C.

(52) **U.S. Cl.**  
USPC ..... **D7/381**

(57) **CLAIM**

(58) **Field of Classification Search**

The ornamental design for a food chopper, as shown and described.

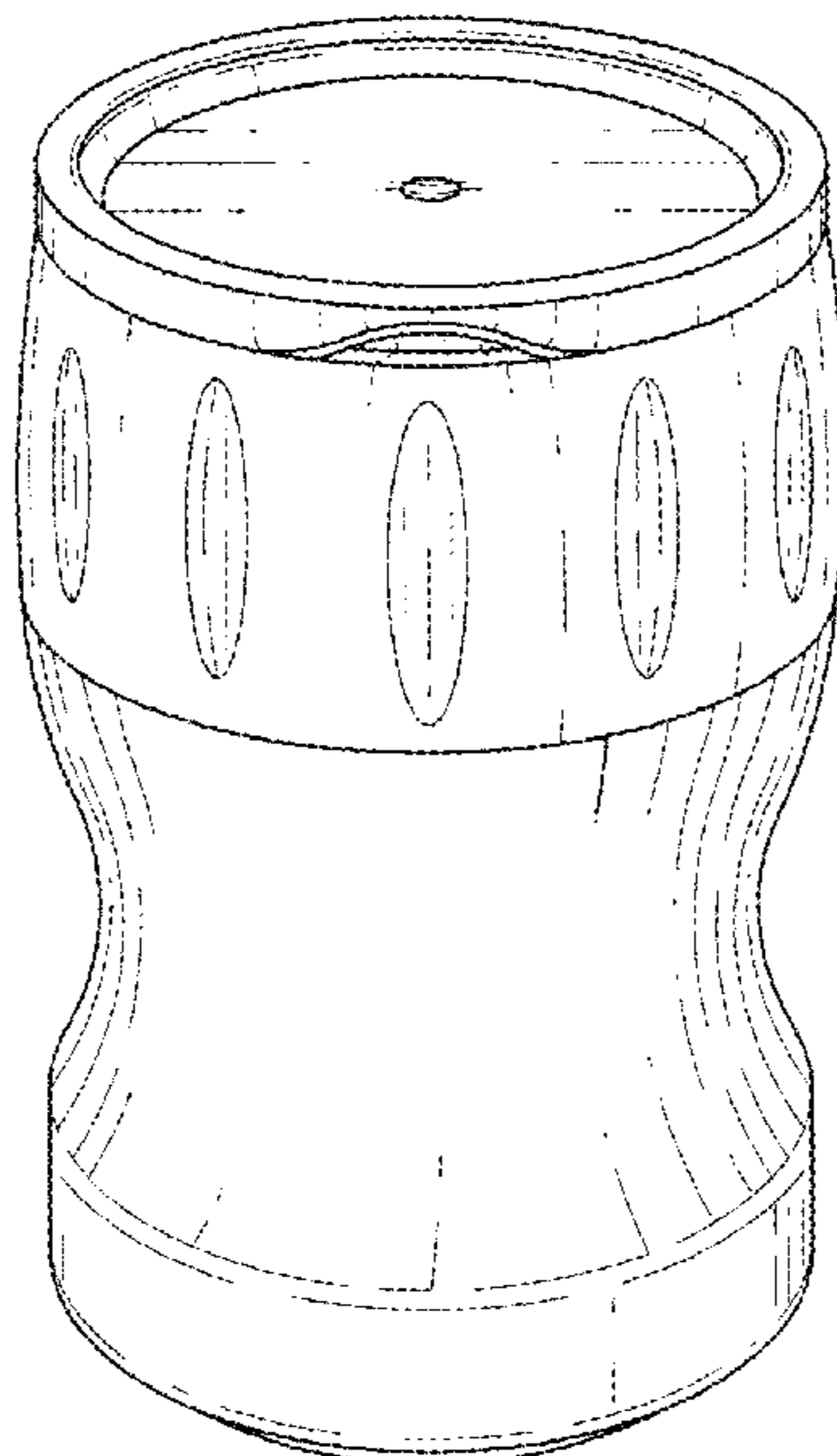
USPC ... D7/300.1, 372, 376–386, 392.1, 412–413, D7/510, 523, 531, 602, 629, 665–666, D7/669, 679, 693–694; D9/504; D24/197, 199

CPC .... A21C 1/02; A21C 1/04; A23N 1/00; A23N 1/02; A47J 43/04; A47J 43/25; A47J 43/27; A47J 43/042; A47J 43/044; A47J 43/046; A47J 43/075; A47J 43/0722; A47J 43/0727; B01F 3/00; B01F 3/0807; B01F 3/0853; B01F 13/0059; B01F 13/0064; B02C 1/08; B02C 2/04; B02C 4/42; B02C 4/142; B02C 4/143; B02C

**DESCRIPTION**

FIG. 1 is a front and top perspective view of a food chopper; FIG. 2 is a front and bottom perspective view thereof; FIG. 3 is a top plan view thereof; FIG. 4 is a bottom plan view thereof; FIG. 5 is a front elevational view thereof; FIG. 6 is a rear elevational view thereof; FIG. 7 is a right side elevational view thereof; and, FIG. 8 is a left side elevational view thereof.

**1 Claim, 7 Drawing Sheets**



(56)

References Cited

U.S. PATENT DOCUMENTS

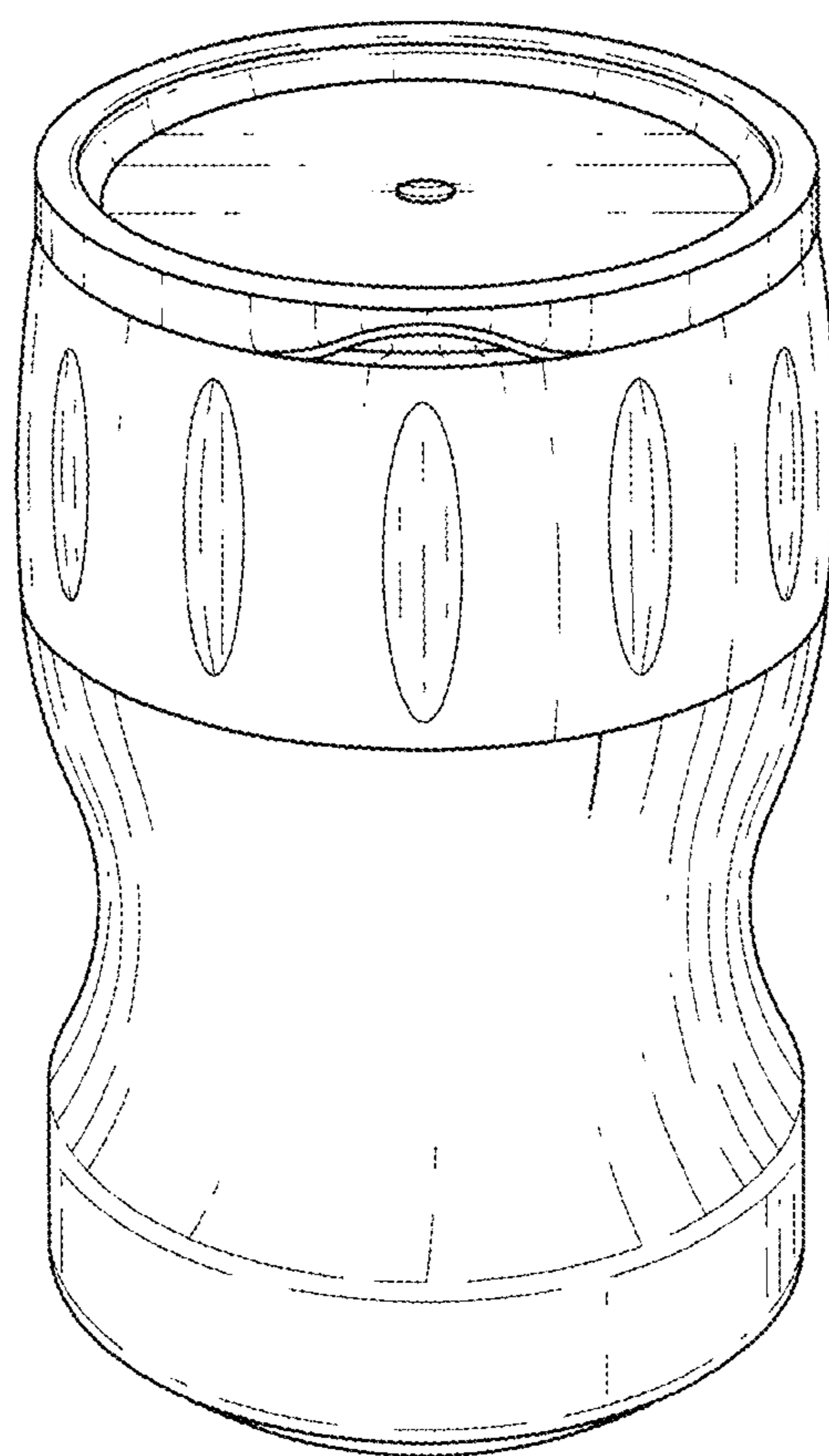
7,048,216 B2 5/2006 Ng  
 7,059,553 B2 6/2006 Mueller  
 7,147,174 B2 12/2006 Mansen  
 D545,623 S \* 7/2007 Renz ..... D7/510  
 D552,993 S \* 10/2007 Rathbone ..... D9/504  
 7,367,519 B2 5/2008 De Groote  
 7,377,458 B1 5/2008 Wu  
 7,422,170 B2 9/2008 Bao  
 D582,723 S \* 12/2008 Renz ..... D7/509  
 7,543,771 B2 6/2009 Wang Wu  
 7,604,192 B2 10/2009 Tang  
 D609,046 S \* 2/2010 Valderrama ..... D7/392.1  
 D609,095 S \* 2/2010 Kooser ..... D9/452  
 D625,192 S \* 10/2010 Kooser ..... D9/452  
 7,886,999 B2 2/2011 Ruzycky  
 D642,434 S \* 8/2011 Schofield ..... D24/197  
 8,083,167 B1 12/2011 Namakian  
 D653,493 S \* 2/2012 Enghard ..... D7/300.1  
 8,220,732 B2 7/2012 Griffin  
 8,393,563 B2 3/2013 Chaoui

D681,835 S \* 5/2013 Stephan ..... D24/197  
 D681,836 S \* 5/2013 Stephan ..... D24/197  
 D692,277 S \* 10/2013 Smiedt ..... D7/510  
 8,733,679 B2 5/2014 Camitta  
 9,241,597 B2 1/2016 Dukat  
 D754,482 S \* 4/2016 Cha ..... D7/523  
 2007/0204467 A1 9/2007 Livie  
 2007/0215731 A1 9/2007 Fornage  
 2012/0091240 A1 4/2012 Delbridge et al.  
 2013/0015278 A1 1/2013 Edwards  
 2013/0214068 A1 8/2013 Camitta  
 2014/0138465 A1 5/2014 Yen  
 2014/0217213 A1 8/2014 Edwards

FOREIGN PATENT DOCUMENTS

EP 2 007 259 8/2010  
 EP 2 180 813 12/2011  
 EP 2 664 261 11/2013  
 GB 2 521 758 7/2015  
 WO 2012/1300233 10/2012

\* cited by examiner



*FIG. 1*

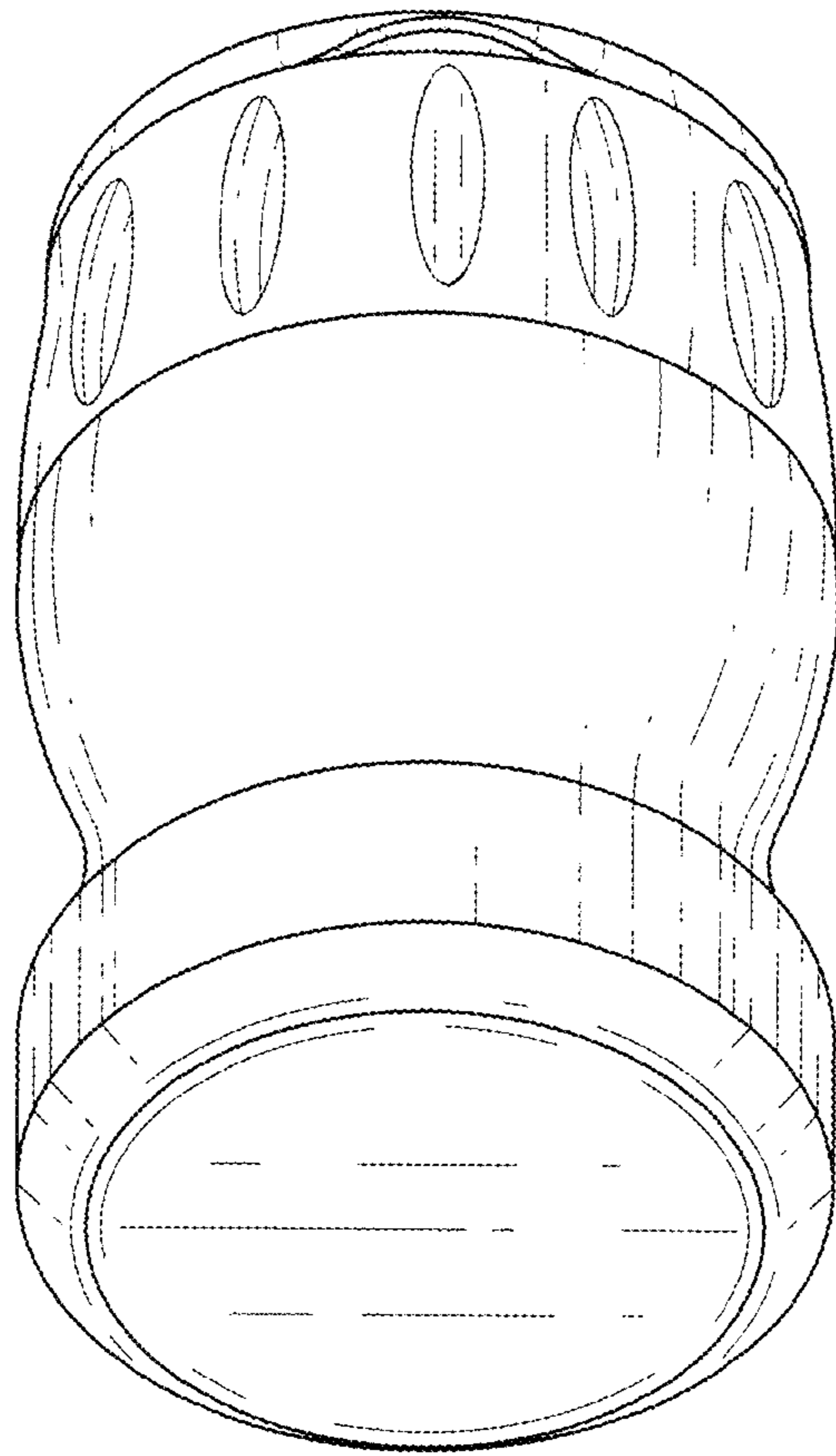


FIG. 2

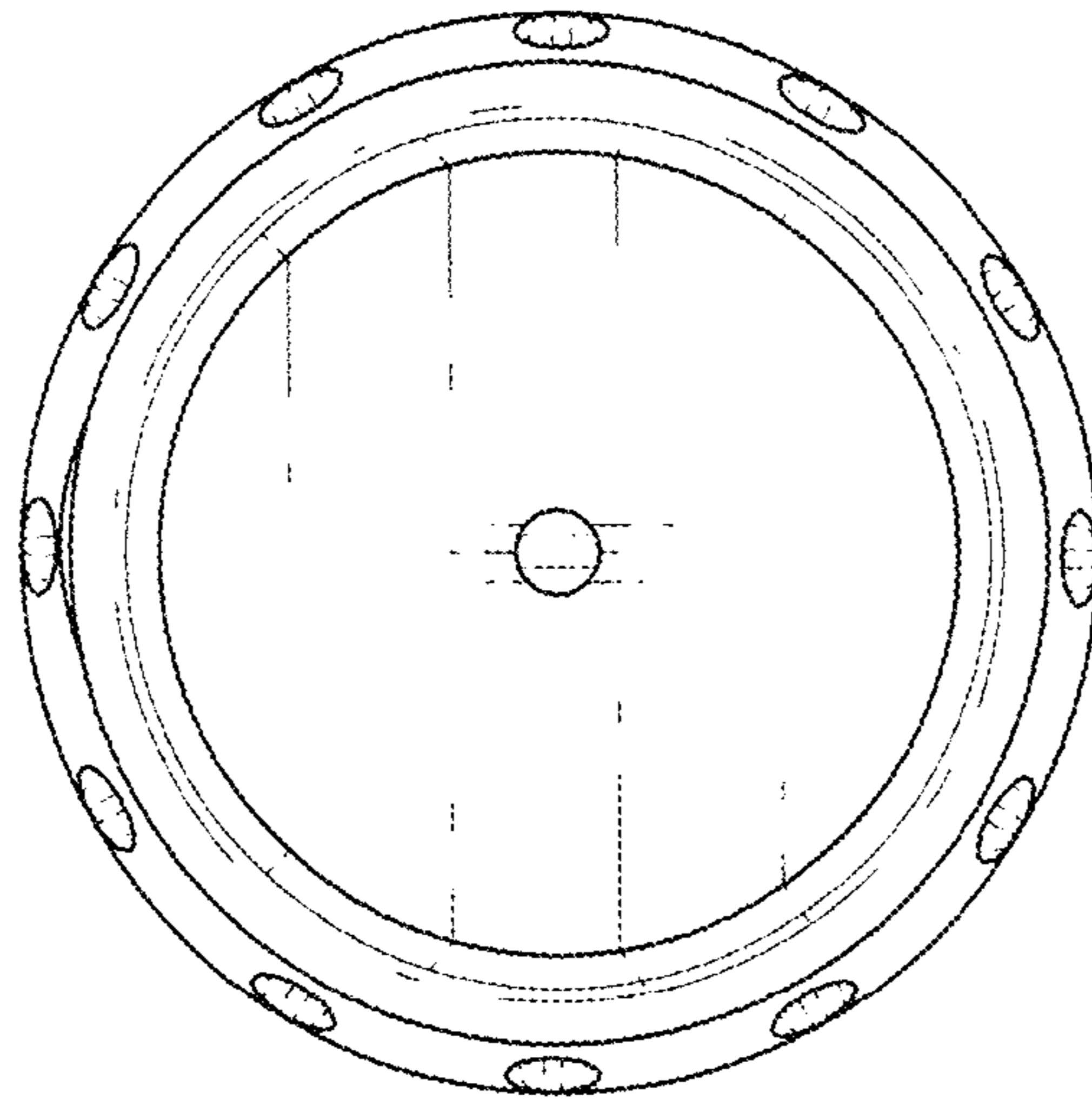


FIG. 3

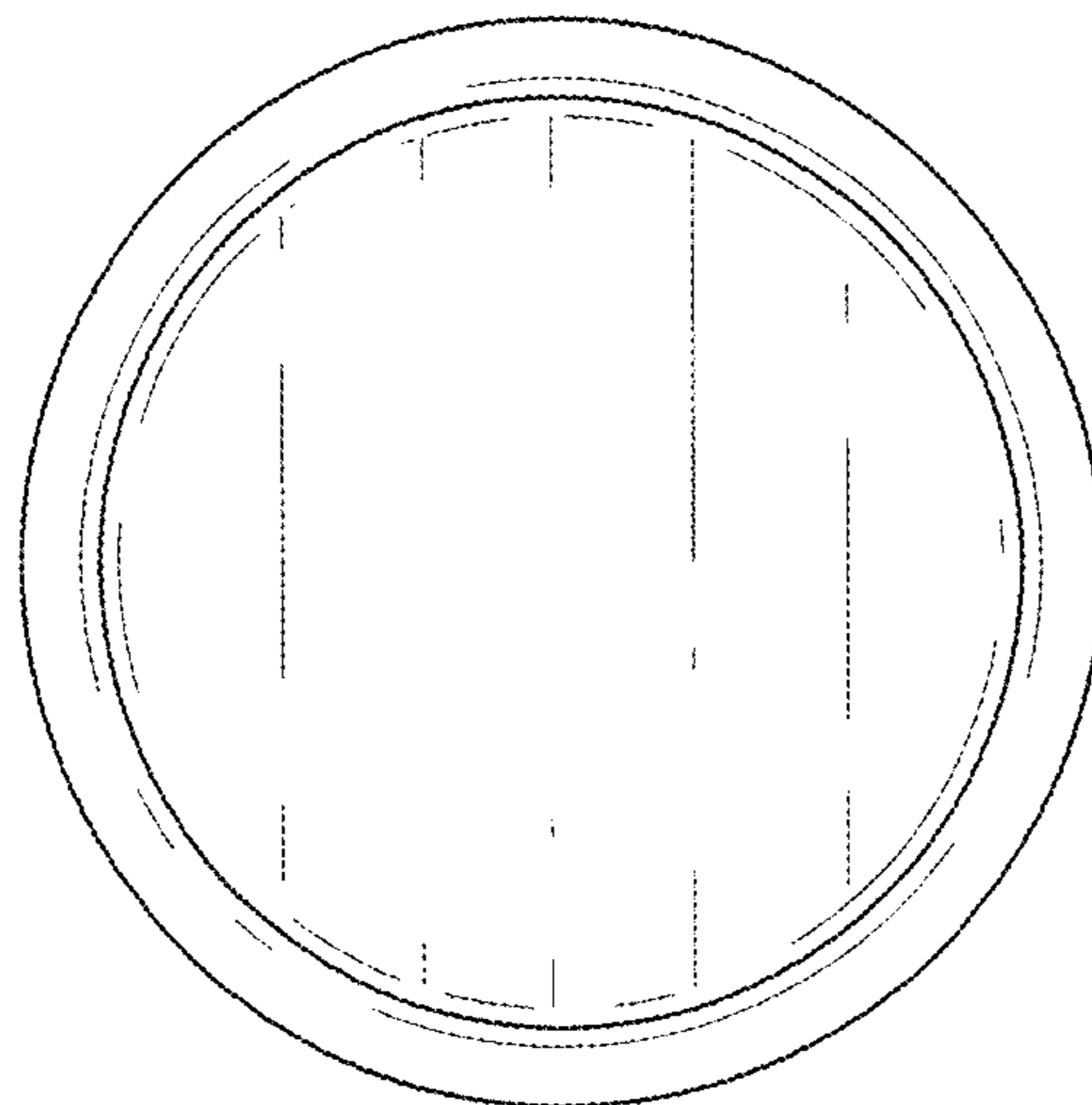


FIG. 4

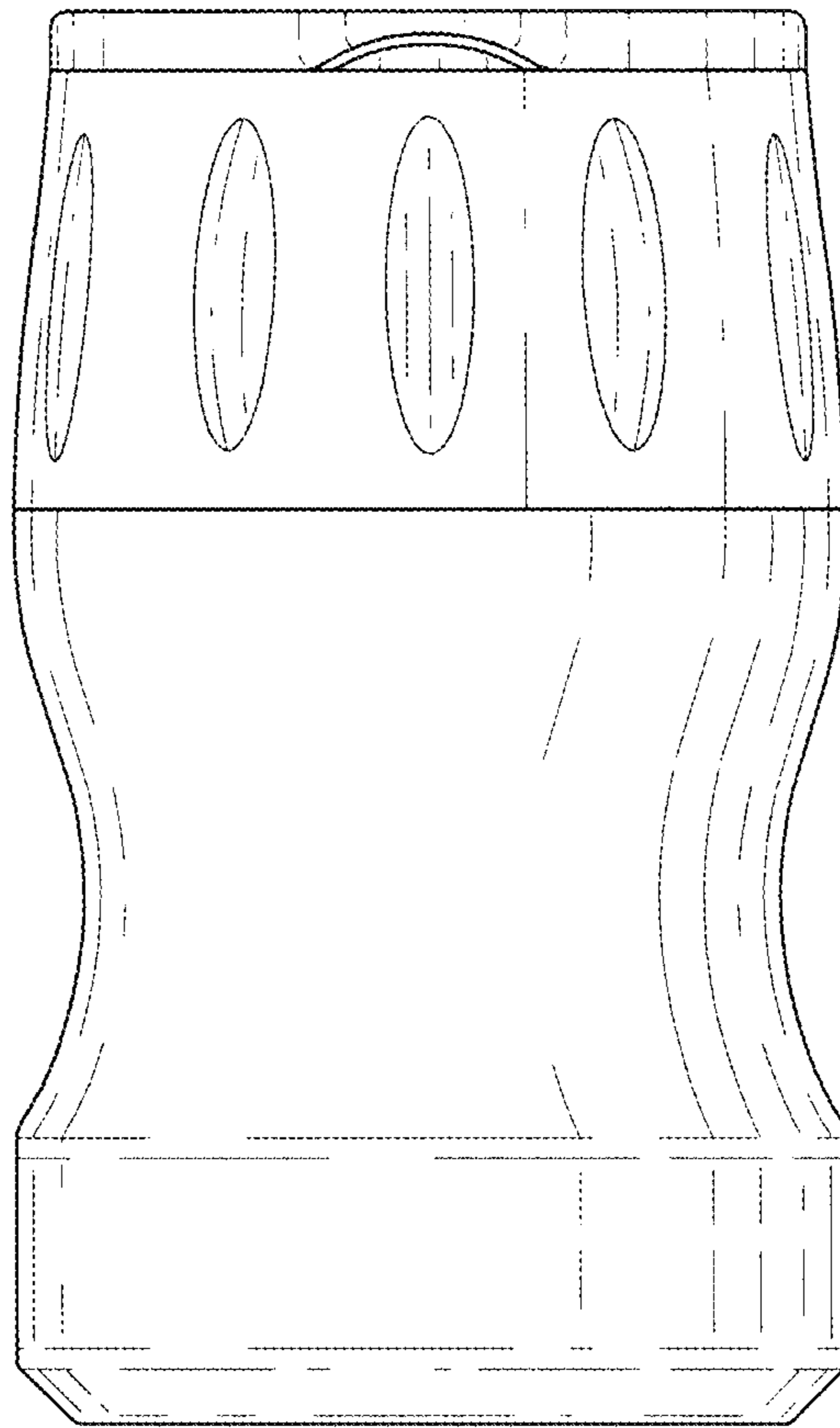


FIG. 5

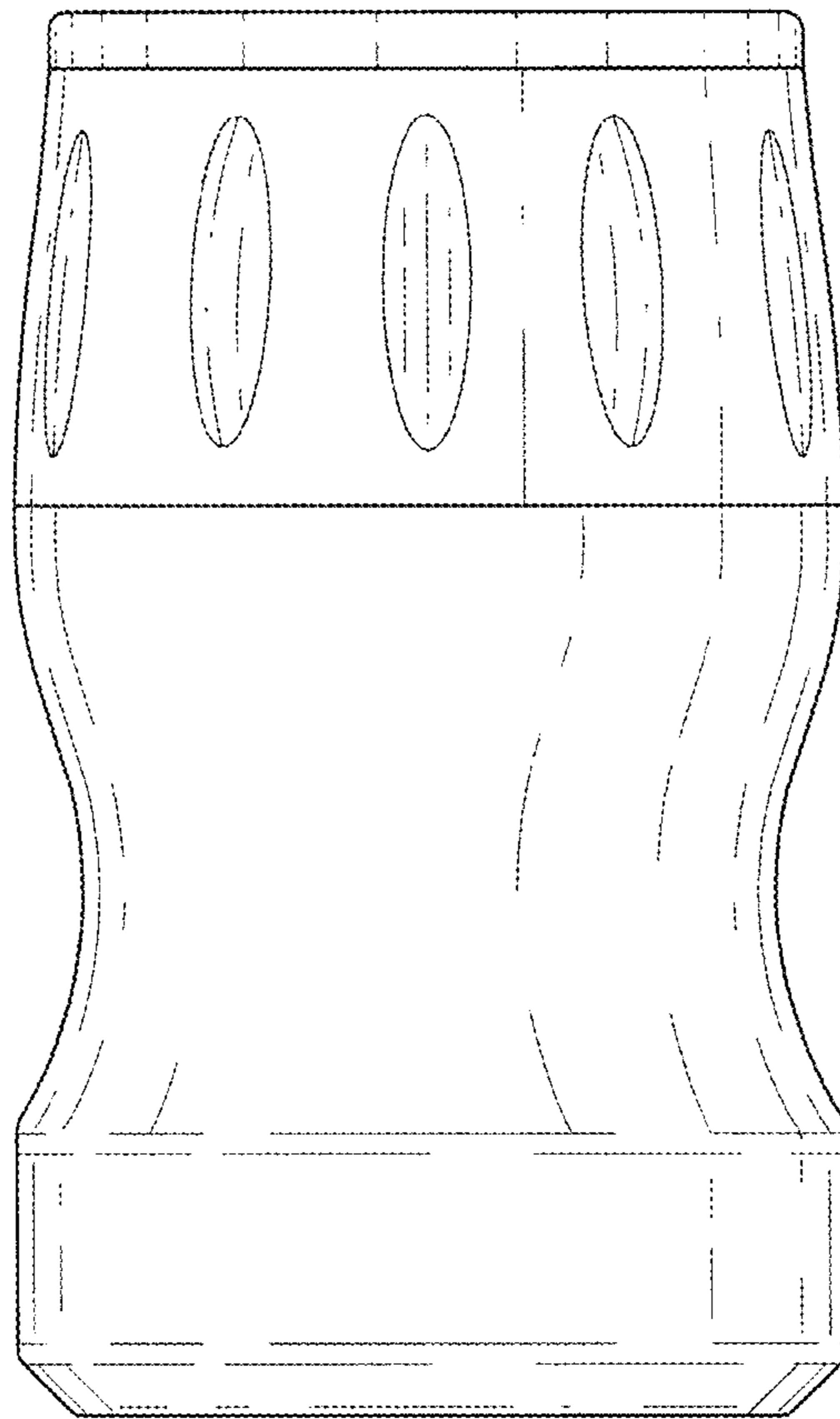


FIG. 6

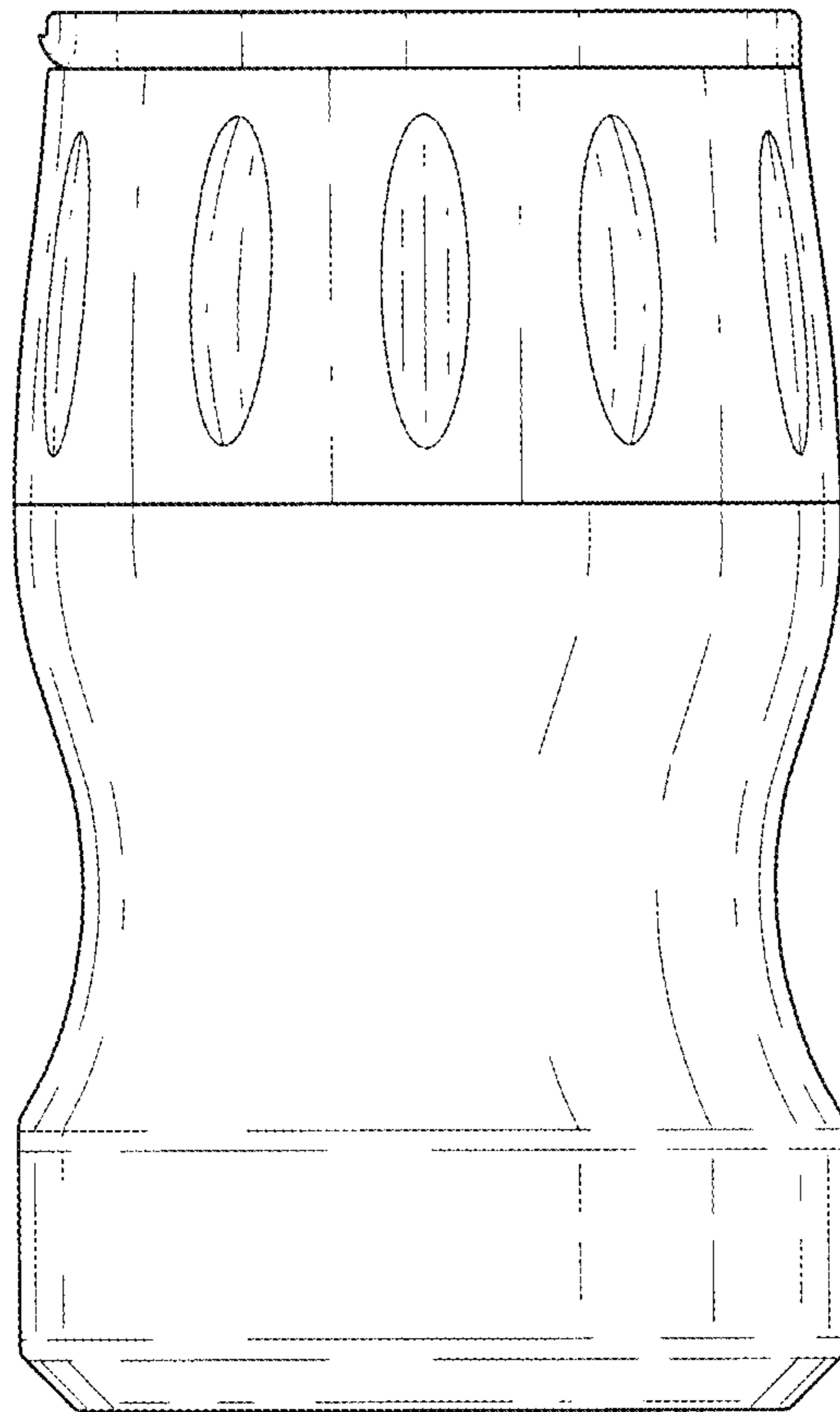


FIG. 7



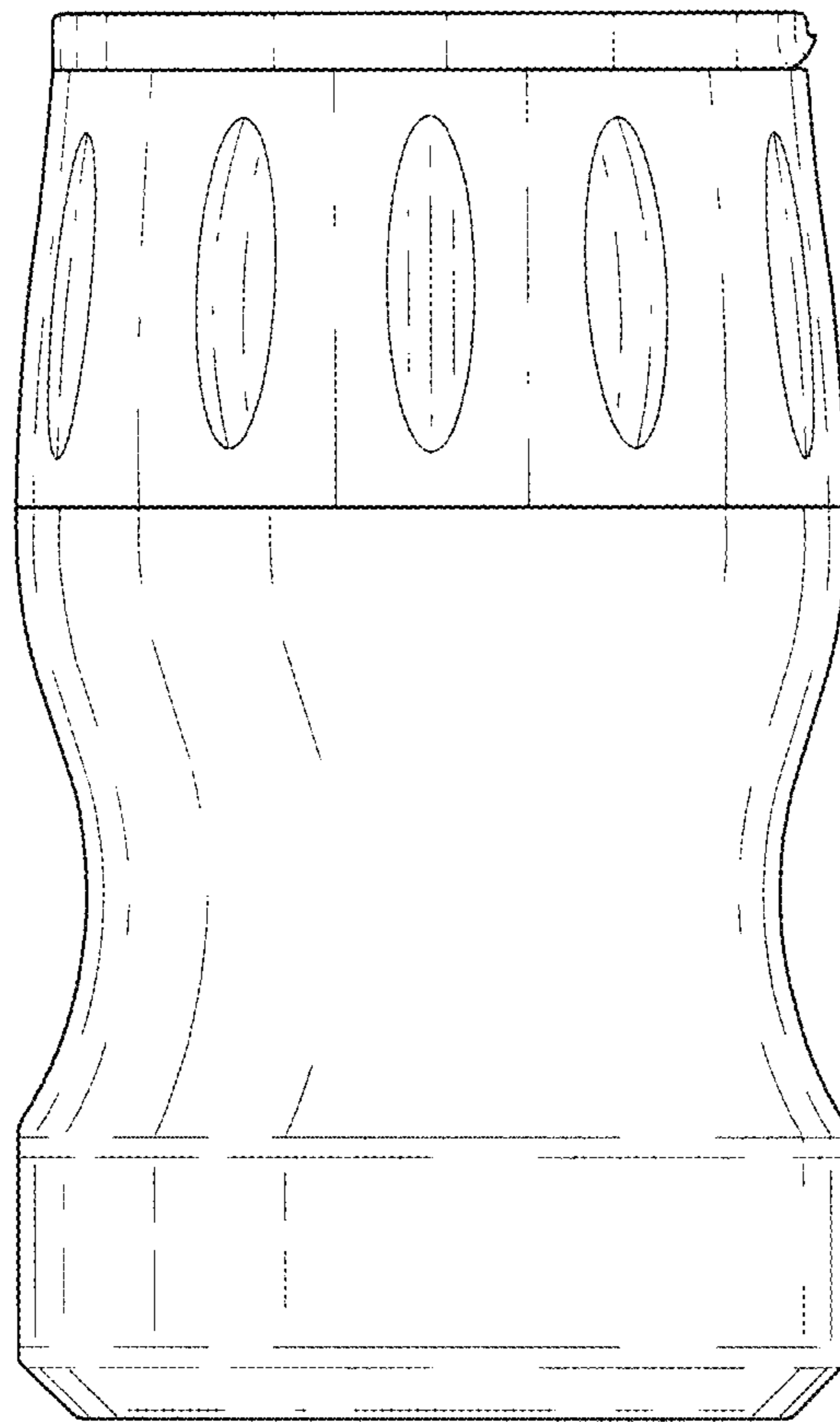


FIG. 8