



US00D782241S

(12) **United States Design Patent**
Welsh et al.

(10) **Patent No.:** **US D782,241 S**
(45) **Date of Patent:** **** Mar. 28, 2017**

- (54) **BACK SUPPORT FOR A CHAIR**
- (71) Applicant: **Haworth, Inc.**, Holland, MI (US)
- (72) Inventors: **Michael W. Welsh**, Rockford, MI (US);
Kyle R. Fleet, Byron Center, MI (US);
Nicolai Czumaj-Bront, Grand Rapids,
MI (US); **Martin W. Potrykus**,
Bamberg (DE); **Markus Berenwinkel**,
Fuerth (DE); **Carlo Shayeb**, Nuremberg
(DE)
- (73) Assignee: **Haworth, Inc.**, Holland, MI (US)
- (**) Term: **15 Years**
- (21) Appl. No.: **29/554,564**
- (22) Filed: **Feb. 12, 2016**
- (51) **LOC (10) Cl.** **06-01**
- (52) **U.S. Cl.**
USPC **D6/716.4**
- (58) **Field of Classification Search**
USPC D6/334-336, 364, 365, 366, 374, 379,
D6/716, 716.1, 716.2, 716.3, 716.4
CPC A47C 7/022; A47C 7/40; A47C 4/028;
A47C 7/18; A47C 7/38; A47C 7/46;
B60N 2/66
See application file for complete search history.

5,586,808 A 12/1996 Oelke
5,645,321 A 7/1997 Seroldi
5,826,937 A 10/1998 Massara
5,951,109 A 9/1999 Roslund et al.
(Continued)

FOREIGN PATENT DOCUMENTS

CN 2168479 6/1994
CN 1331940 1/2002
(Continued)

OTHER PUBLICATIONS

International Search Report and Written Opinion dated Jul. 29, 2014, International Application No. PCT/US2014/028161.

Primary Examiner — Mimosa De

(74) *Attorney, Agent, or Firm* — Warner Norcross & Judd LLP

(57) **CLAIM**

The ornamental design for a back support for a chair, as shown and described.

DESCRIPTION

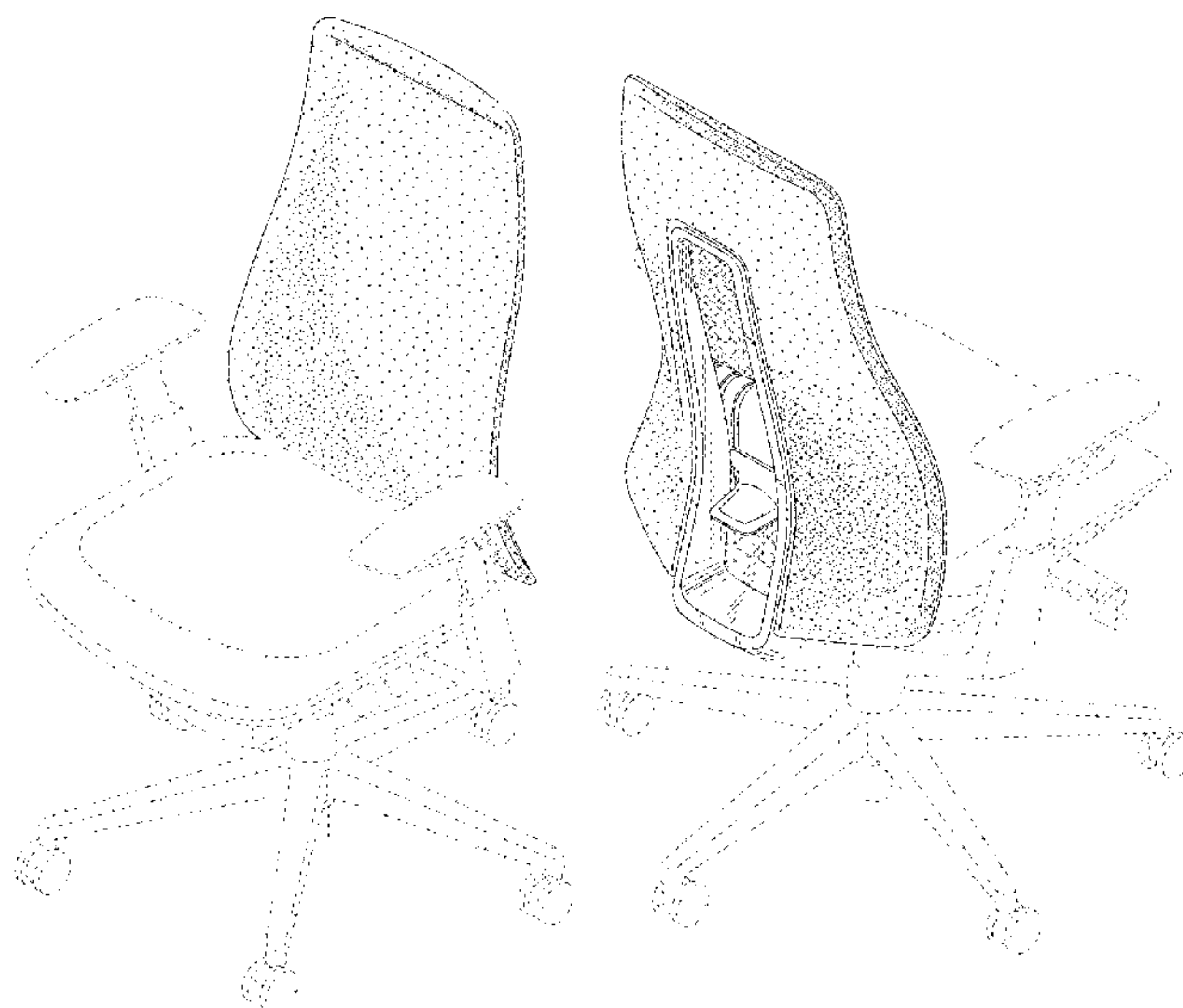
FIG. 1 is a front perspective view of the back support for a chair embodying the new design;
FIG. 2 is a rear perspective view thereof;
FIG. 3 is a right side view thereof;
FIG. 4 is a left side view thereof;
FIG. 5 is a front view thereof;
FIG. 6 is a rear view thereof;
FIG. 7 is a top view thereof; and,
FIG. 8 is a bottom view thereof.
FIGS. 1-8 show a seat support and a portion of a back support in broken lines. The portions shown in broken lines are for environmental purposes only and form no part of the claimed design.

(56) **References Cited**

U.S. PATENT DOCUMENTS

3,353,869 A 11/1967 Getz et al.
3,476,169 A 11/1969 Militano
4,049,315 A 9/1977 Jacobson
4,408,800 A 10/1983 Knapp
4,556,254 A 12/1985 Roberts
4,658,807 A 4/1987 Swain
4,744,603 A 5/1988 Knoblock
5,320,410 A 6/1994 Faiks et al.
5,403,067 A 4/1995 Rajaratnam
D368,596 S * 4/1996 Breen D6/366

1 Claim, 7 Drawing Sheets



(56)

References Cited

U.S. PATENT DOCUMENTS

5,988,757 A 11/1999 Vishey et al.
 6,572,190 B2 6/2003 Koepke et al.
 D477,469 S * 7/2003 Brooks D6/366
 6,910,736 B2 6/2005 White
 6,971,717 B1 12/2005 Rhodes
 7,032,971 B2 4/2006 Williams
 D551,868 S * 10/2007 Chu D6/366
 7,396,438 B2 7/2008 Scobie
 7,909,402 B2 3/2011 Chu et al.
 D680,345 S * 4/2013 Xingchang D6/366
 D695,537 S * 12/2013 Geelen D6/366
 8,622,472 B2 1/2014 Rajaratnam
 D724,881 S * 3/2015 Tsai D6/716.4
 D735,483 S * 8/2015 Wu D6/366
 D738,129 S * 9/2015 Wu D6/366
 D751,836 S * 3/2016 Izawa D6/366
 D766,026 S * 9/2016 Wu D6/716.4
 D766,027 S * 9/2016 Wu D6/716.4
 2001/0008955 A1 7/2001 Garth
 2002/0130540 A1 9/2002 Rajasingham
 2004/0007910 A1 1/2004 Skelly
 2004/0104610 A1 6/2004 Jaskot et al.
 2004/0256899 A1 12/2004 Moore et al.
 2006/0103214 A1 5/2006 Andersson et al.
 2006/0181126 A1 8/2006 Eysing
 2006/0255635 A1 11/2006 Iijima et al.
 2007/0102987 A1 5/2007 Chen

2009/0102268 A1 4/2009 Schmitz et al.
 2009/0261644 A1 10/2009 Piretti
 2010/0187882 A1 7/2010 Chen
 2012/0061988 A1 3/2012 Jaranson et al.
 2012/0299350 A1 11/2012 Willingham
 2013/0221724 A1 8/2013 Fowler
 2014/0062154 A1 3/2014 Minino et al.
 2014/0117738 A1 5/2014 Takahashi et al.
 2014/0183914 A1 7/2014 Cvek

FOREIGN PATENT DOCUMENTS

CN	1470420	1/2004
CN	1564666	1/2005
CN	1575142	2/2005
CN	101715310	5/2010
DE	102007002284	7/2008
DE	102008009509	8/2009
DE	102011100708	8/2009
EP	1232703	8/2002
EP	1693248	8/2006
EP	1785070	5/2007
EP	1911374	4/2008
EP	1946676	7/2008
WO	9212654	8/1992
WO	9848671	11/1998
WO	0022961	4/2000
WO	03063651	8/2003
WO	20120167940	12/2012

* cited by examiner

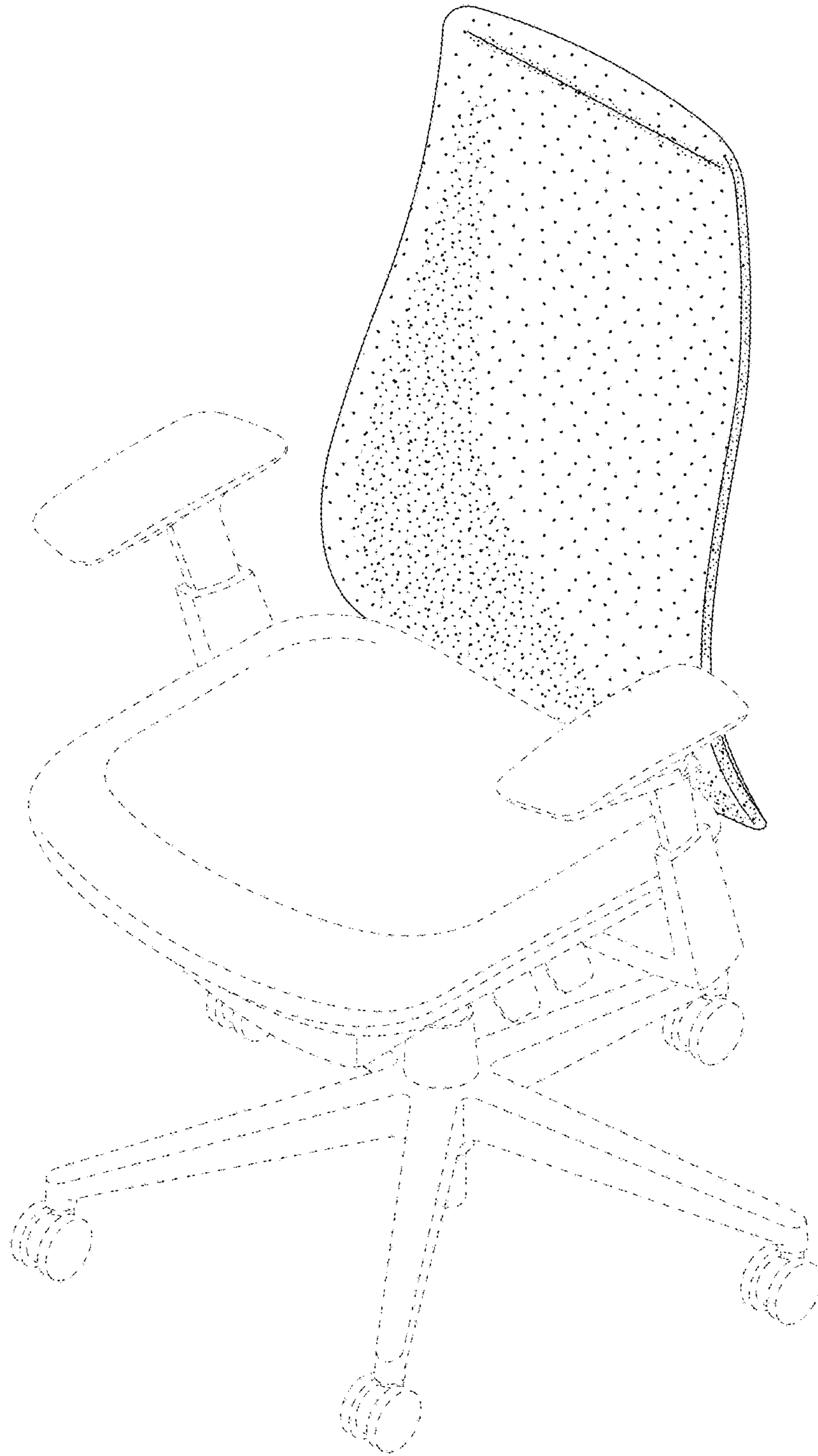


Fig. 1

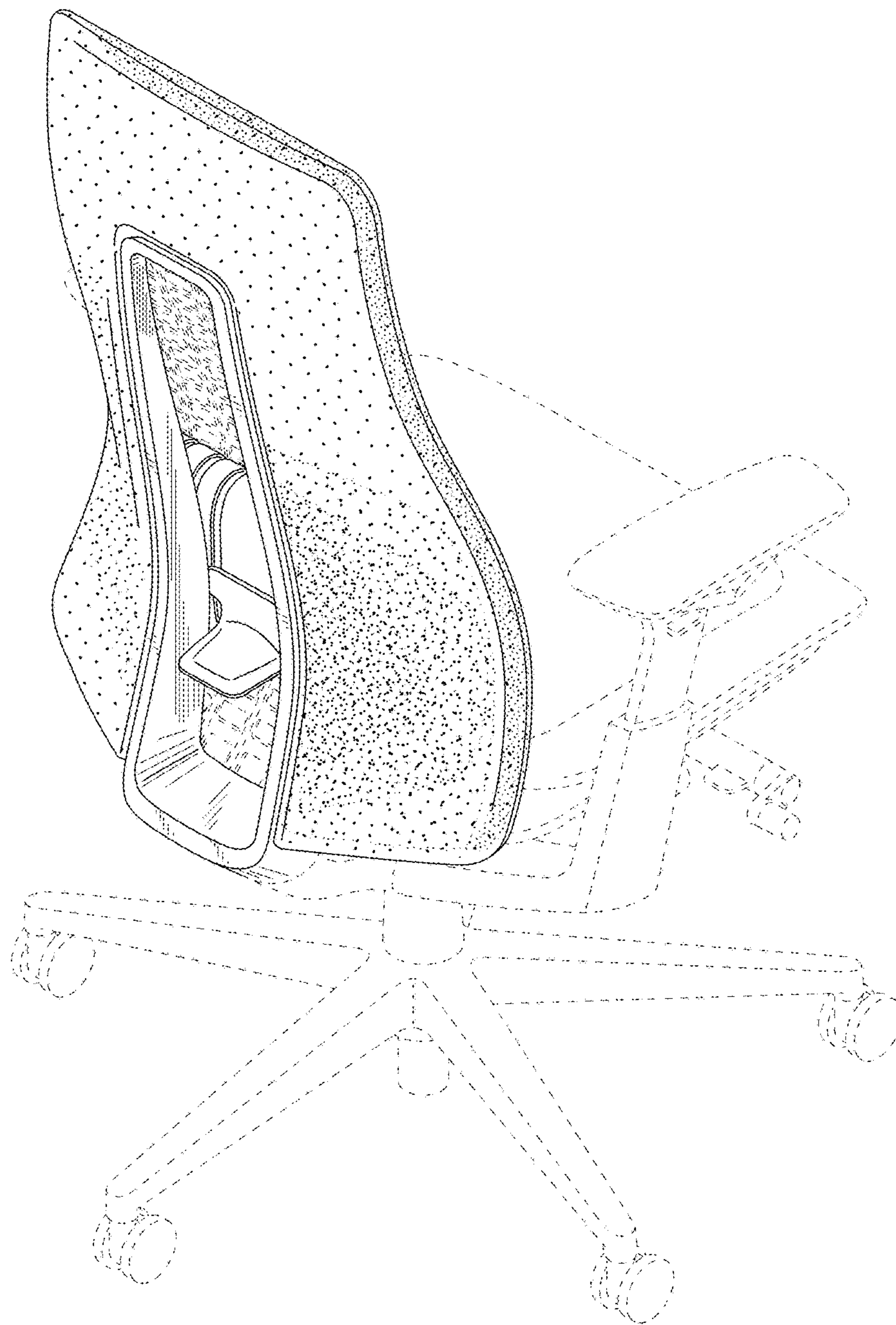


Fig. 2

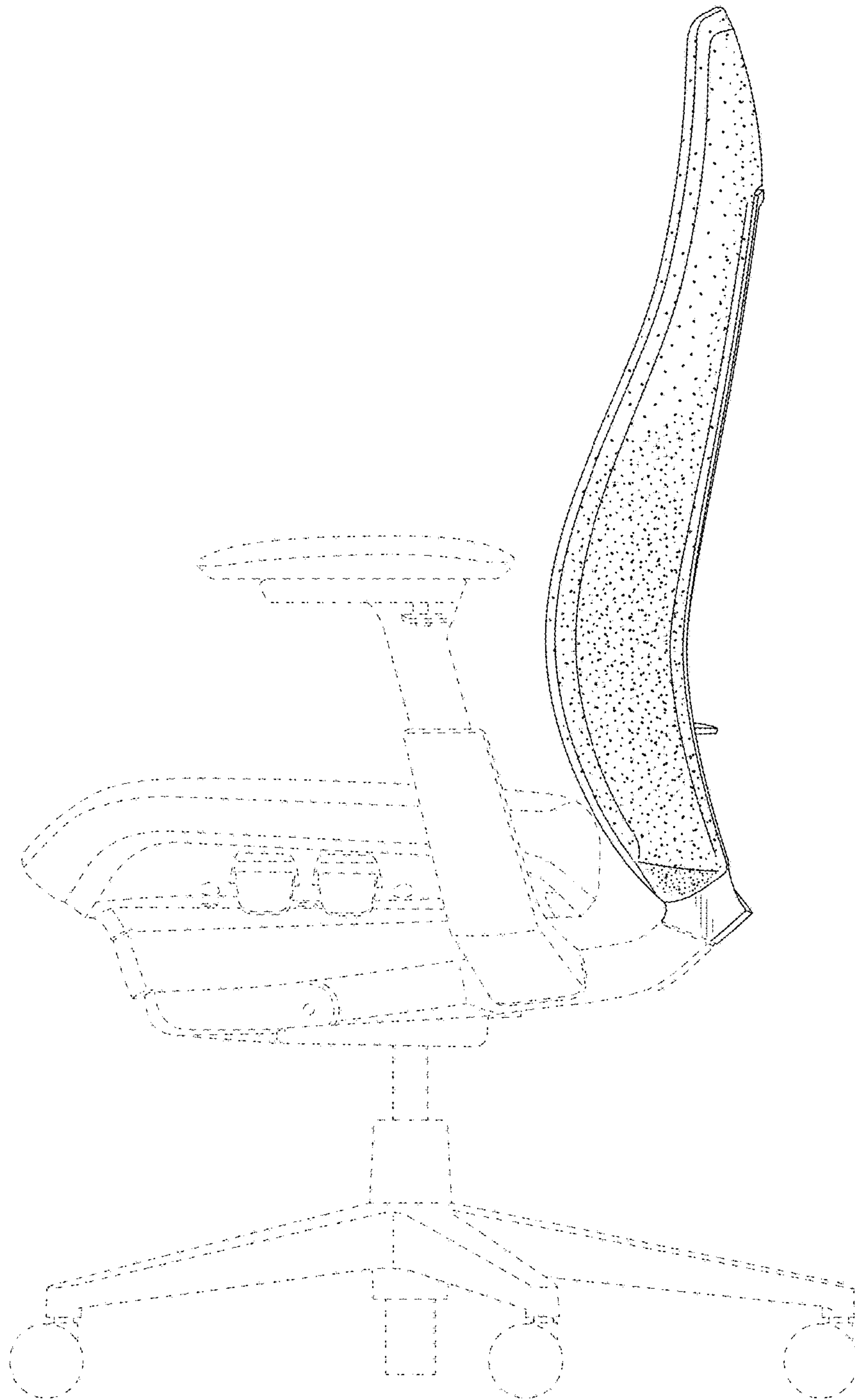


Fig. 3

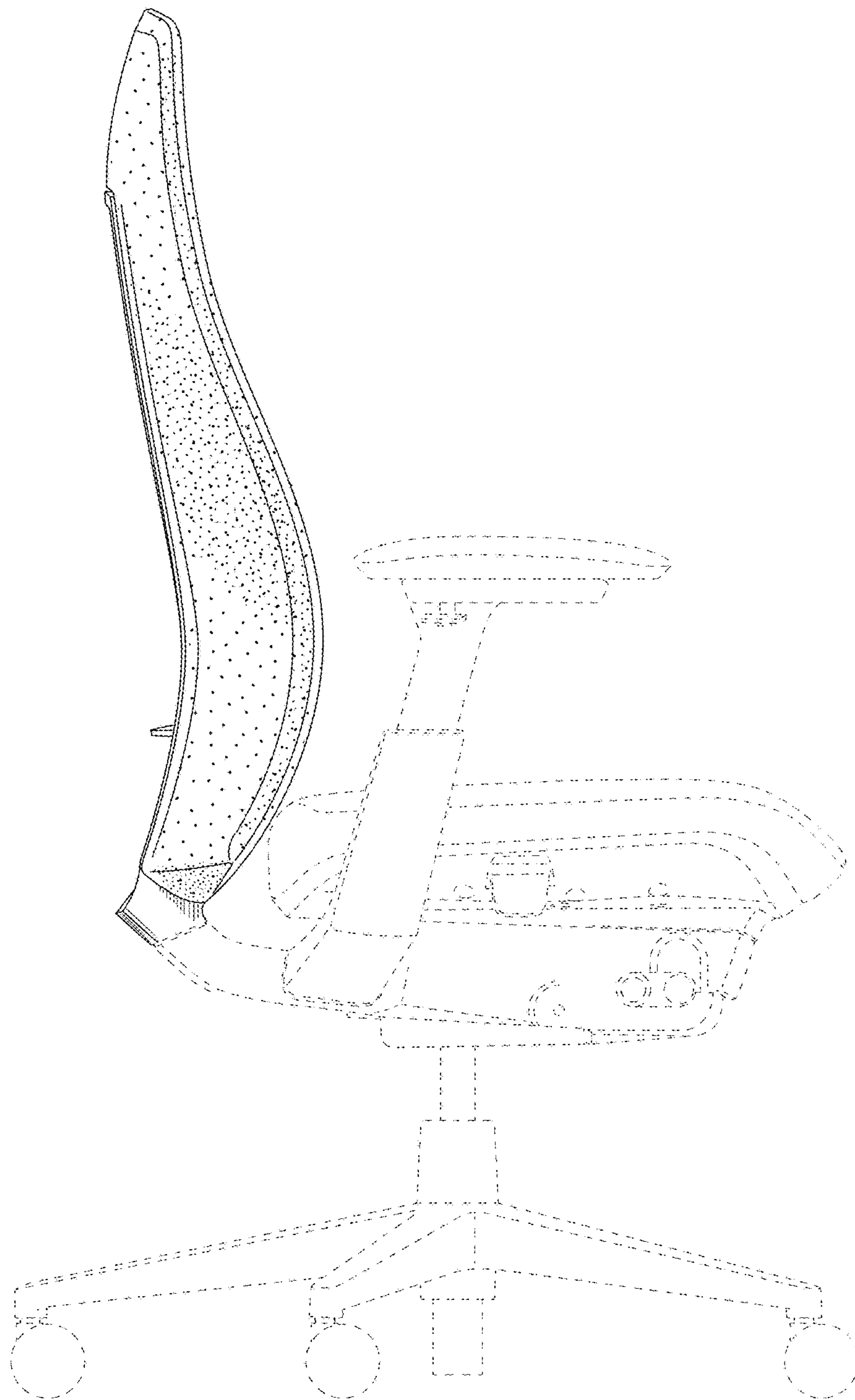


Fig. 4

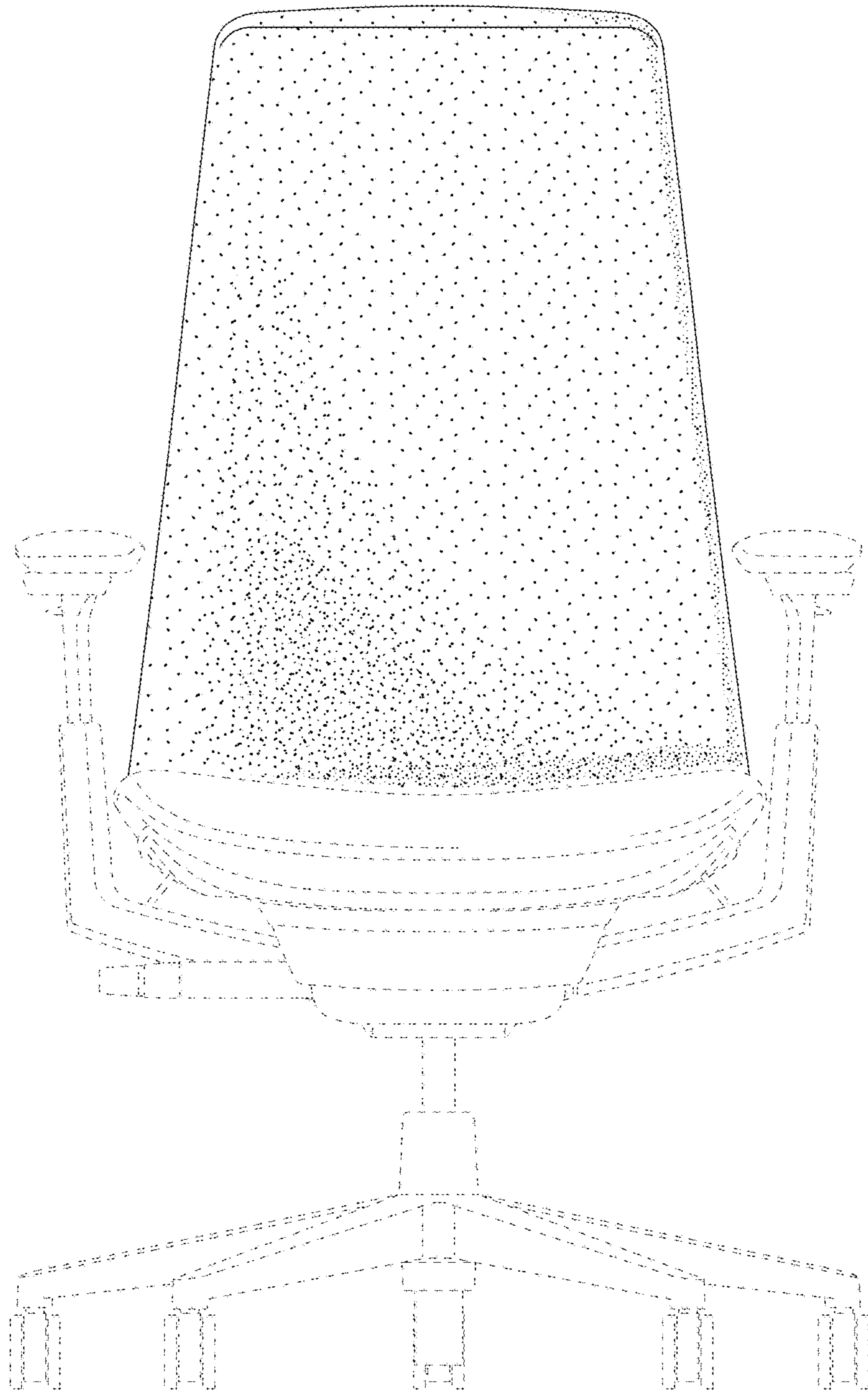


Fig. 5

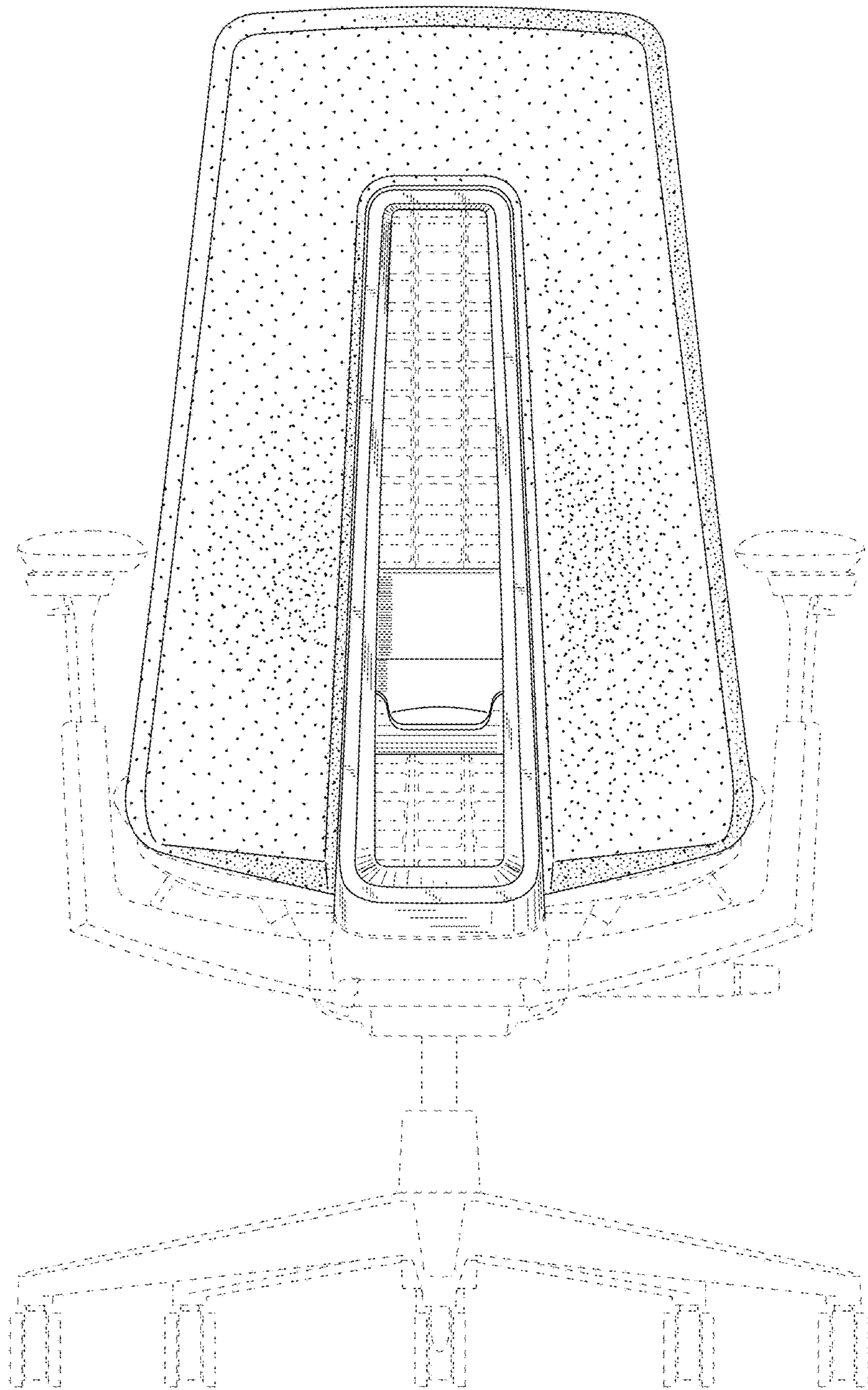


Fig. 6

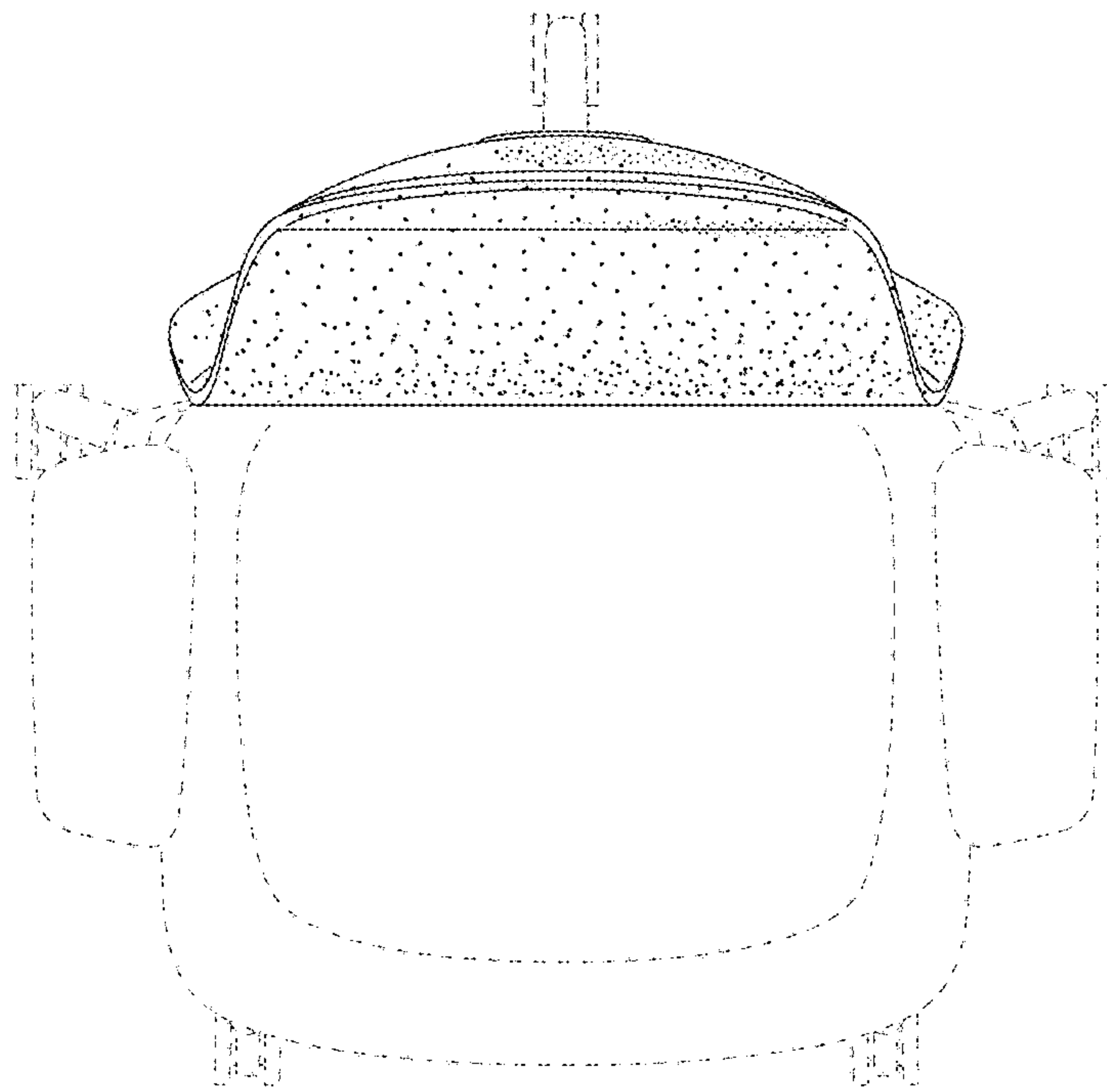


Fig. 7

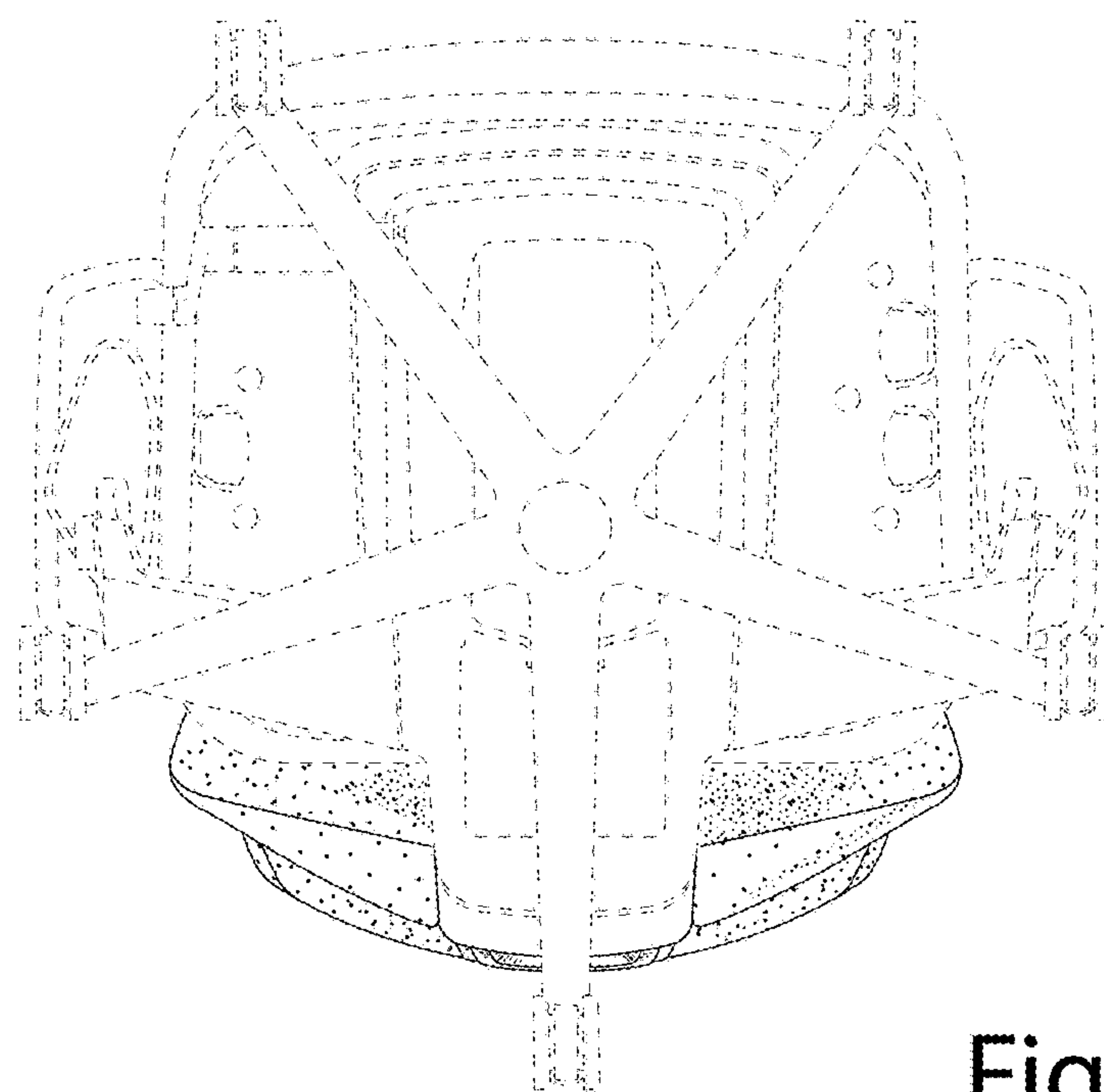


Fig. 8