

US00D782240S

(12) **United States Design Patent**
Wada

(10) **Patent No.:** **US D782,240 S**
(45) **Date of Patent:** **** Mar. 28, 2017**

(54) **CHAIR**

(71) Applicant: **ITOKI CORPORATION**, Osaka-shi,
Osaka (JP)

(72) Inventor: **Kohei Wada**, Osaka (JP)

(73) Assignee: **ITOKI CORPORATION**, Osaka-shi,
Osaka (JP)

(**) Term: **15 Years**

(21) Appl. No.: **29/543,751**

(22) Filed: **Oct. 28, 2015**

(51) **LOC (10) Cl.** **06-01**

(52) **U.S. Cl.**
USPC **D6/716.4**

(58) **Field of Classification Search**
USPC D6/364-368, 374, 716, 716.4; 297/284.4,
297/284.7, 300.1, 344.19, 353, 411.2,
297/452.18, 452.24, 452.26, 452.28,
297/452.32-33, 452.37
CPC A47C 7/02; A47C 7/44; A47C 7/46; A47C
7/48; A47C 7/54; A47C 7/386; A47C
7/462; A47C 1/10; A47C 1/031; B60N
2/02; B60N 2/22; B60N 2/44
See application file for complete search history.

(56) **References Cited**

U.S. PATENT DOCUMENTS

D521,755 S *	5/2006	Kinoshita	D6/366
D639,576 S *	6/2011	Breen	D6/366
D654,709 S *	2/2012	Fujita	D6/366
D662,330 S *	6/2012	Tanaka	D6/366
D665,589 S *	8/2012	Wagner	D6/366
D671,330 S *	11/2012	Izawa	D6/366
D671,331 S *	11/2012	Izawa	D6/366

D687,641 S *	8/2013	Barrell	D6/366
D698,166 S *	1/2014	Smith	D6/366
D701,068 S *	3/2014	Usumoto	D6/366
D710,640 S *	8/2014	Usumoto	D6/366
D734,971 S *	7/2015	Izawa	D6/716.4
D742,674 S *	11/2015	Wilkinson	D6/716
D755,553 S *	5/2016	Wilkinson	D6/366
2002/0096920 A1 *	7/2002	Watson	A47C 7/282 297/300.1
2002/0190552 A1 *	12/2002	Koepke	A47C 1/03255 297/284.7

* cited by examiner

Primary Examiner — Manpreet Matharu

Assistant Examiner — Keith Wilson

(74) *Attorney, Agent, or Firm* — Drinker Biddle & Reath
LLP

(57) **CLAIM**

The ornamental design for a chair, as shown and described.

DESCRIPTION

FIG. 1 is a perspective view of the top, front and right side of a chair showing my new design;
FIG. 2 is a perspective view of the top, rear and left side thereof;
FIG. 3 is a front view thereof;
FIG. 4 is a rear view thereof;
FIG. 5 is a left side view thereof;
FIG. 6 is a right side view thereof;
FIG. 7 is a top view thereof; and,
FIG. 8 is a bottom view thereof.

The portions of the article shown in broken lines depict environment and form no part of the claimed design. The dot-dashed lines in FIGS. 2, 4, 5, 6 and 8 show the boundary between claimed and unclaimed subject matter and form no part of the claimed design.

1 Claim, 8 Drawing Sheets

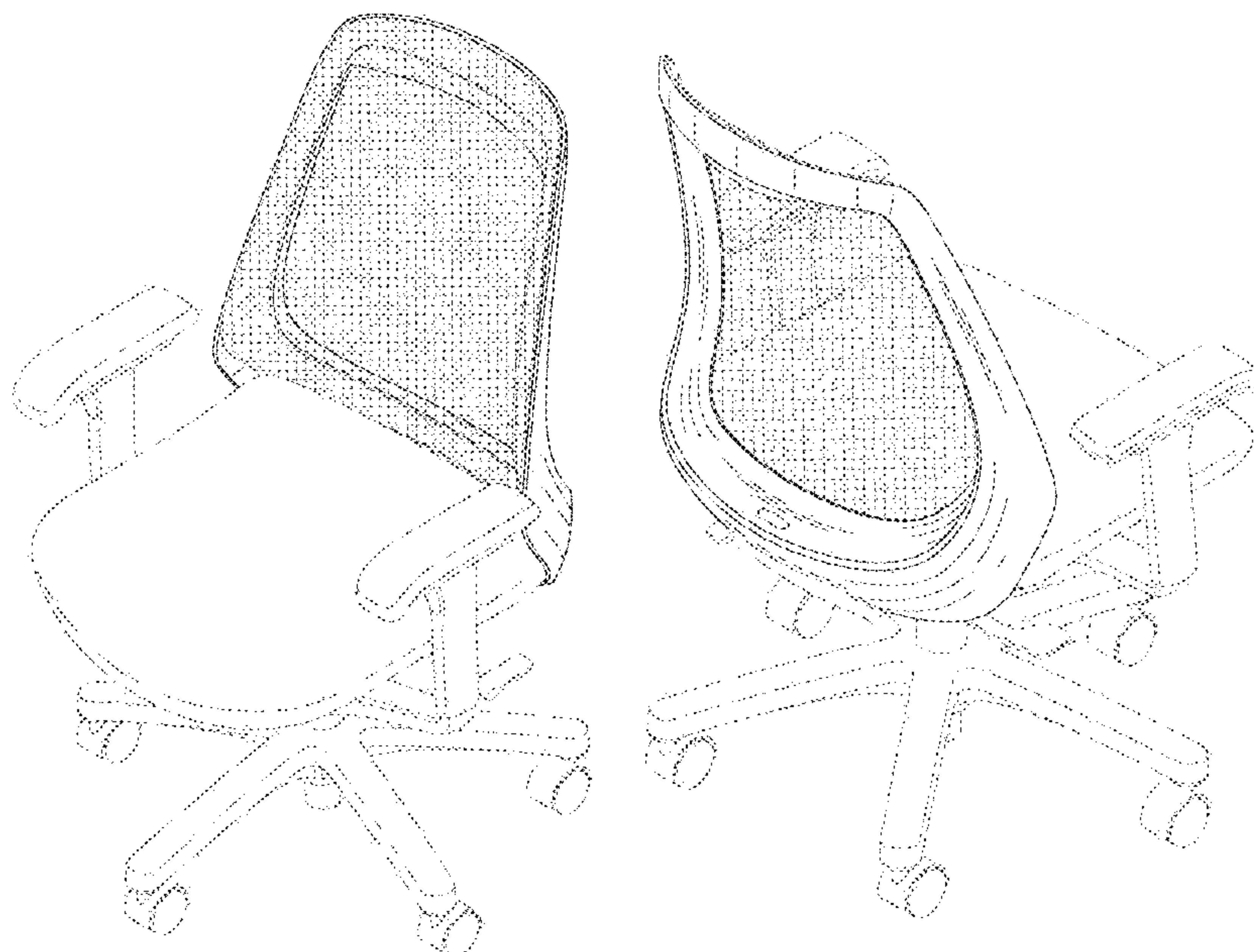


Fig. 1



Fig. 2

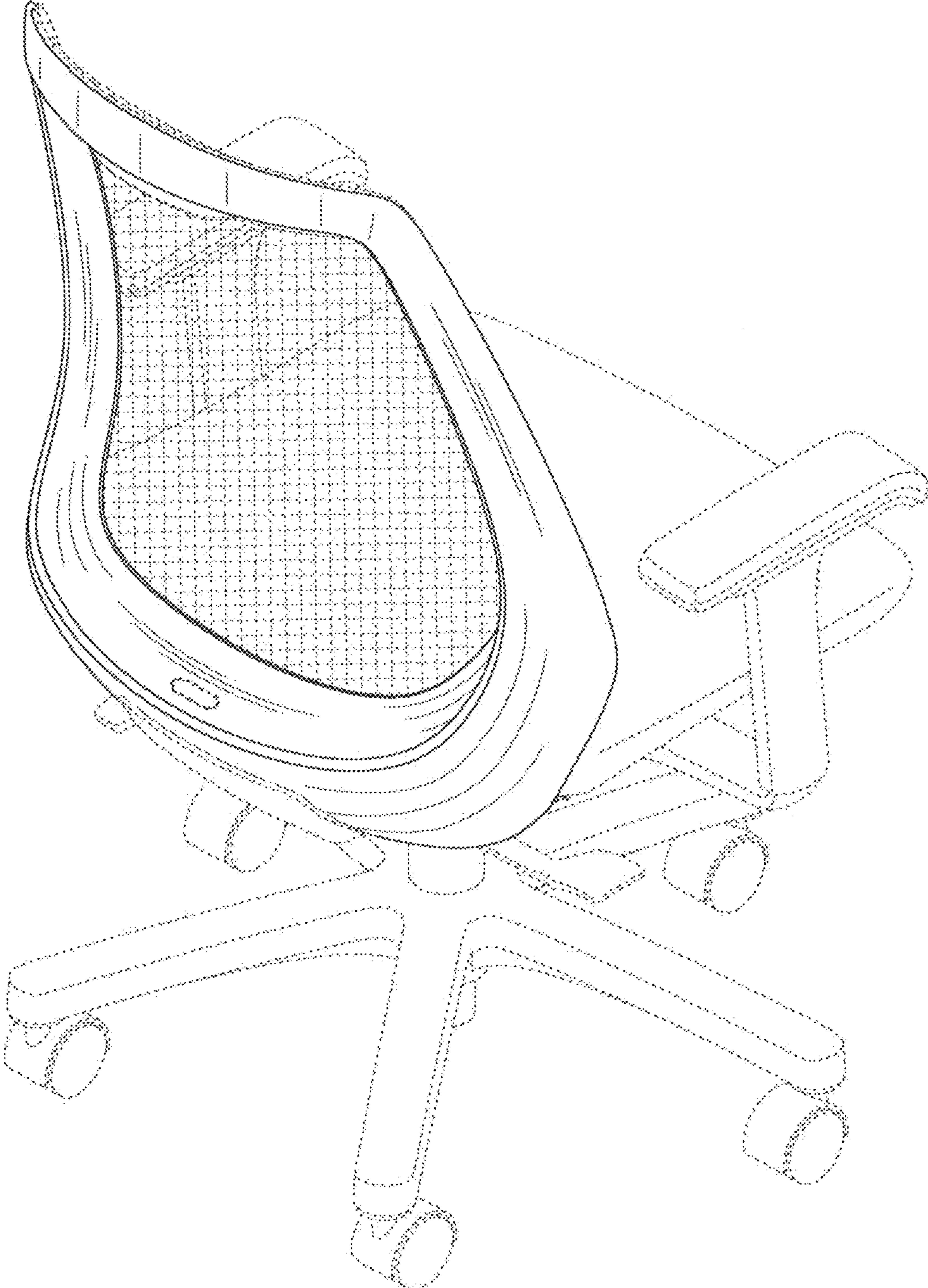


Fig. 3

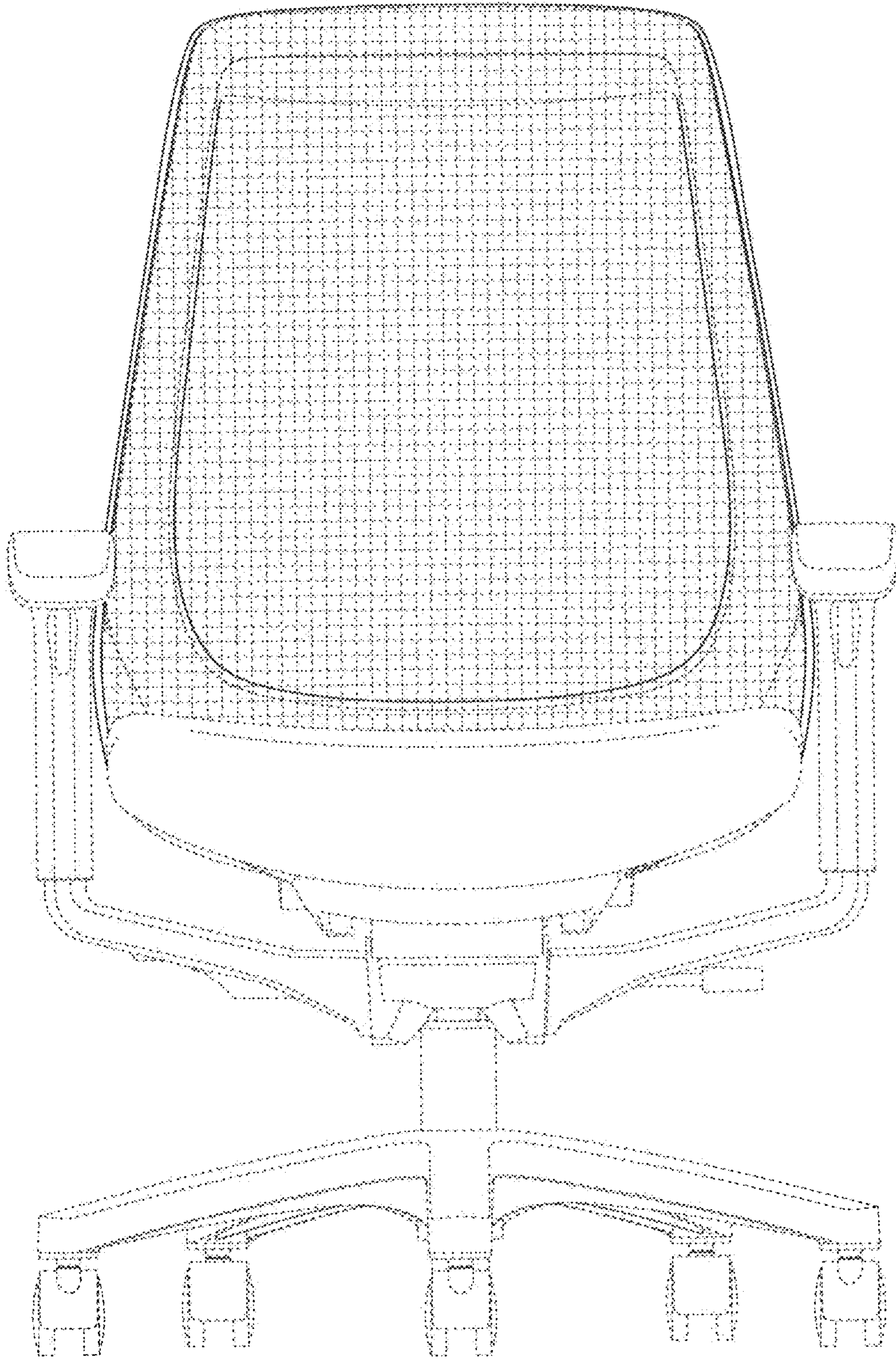


Fig. 4

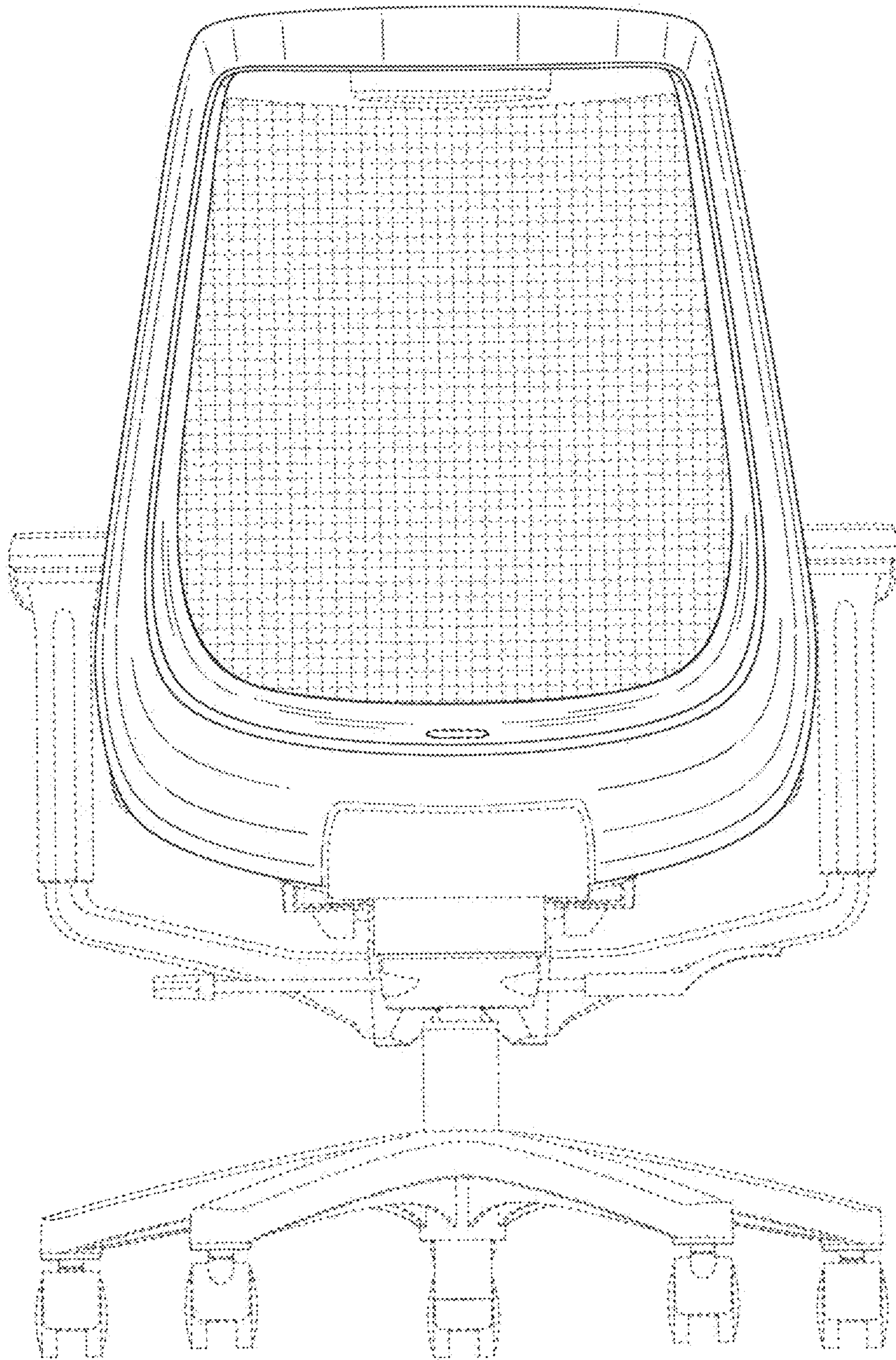


Fig. 5

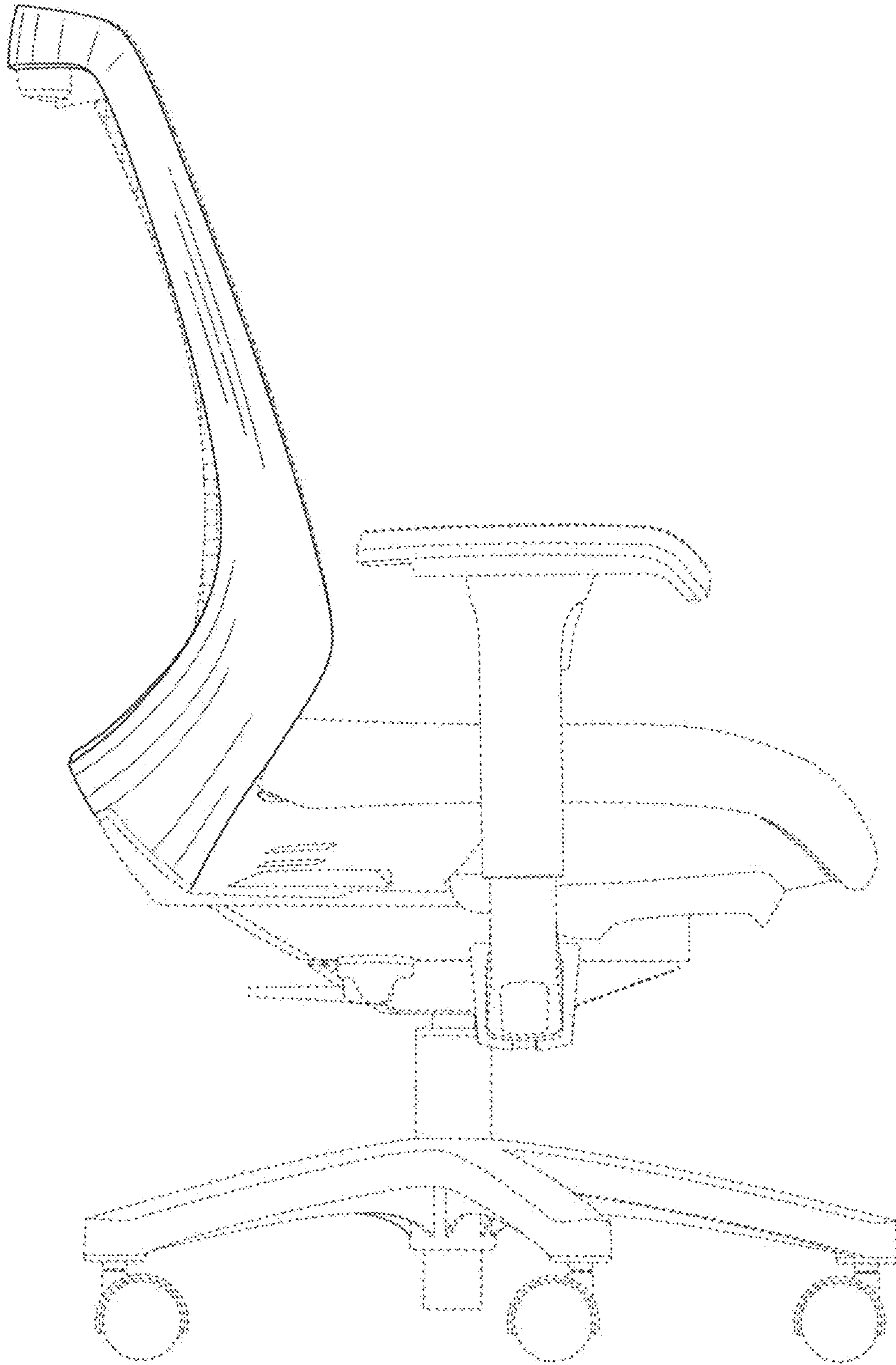


Fig. 6

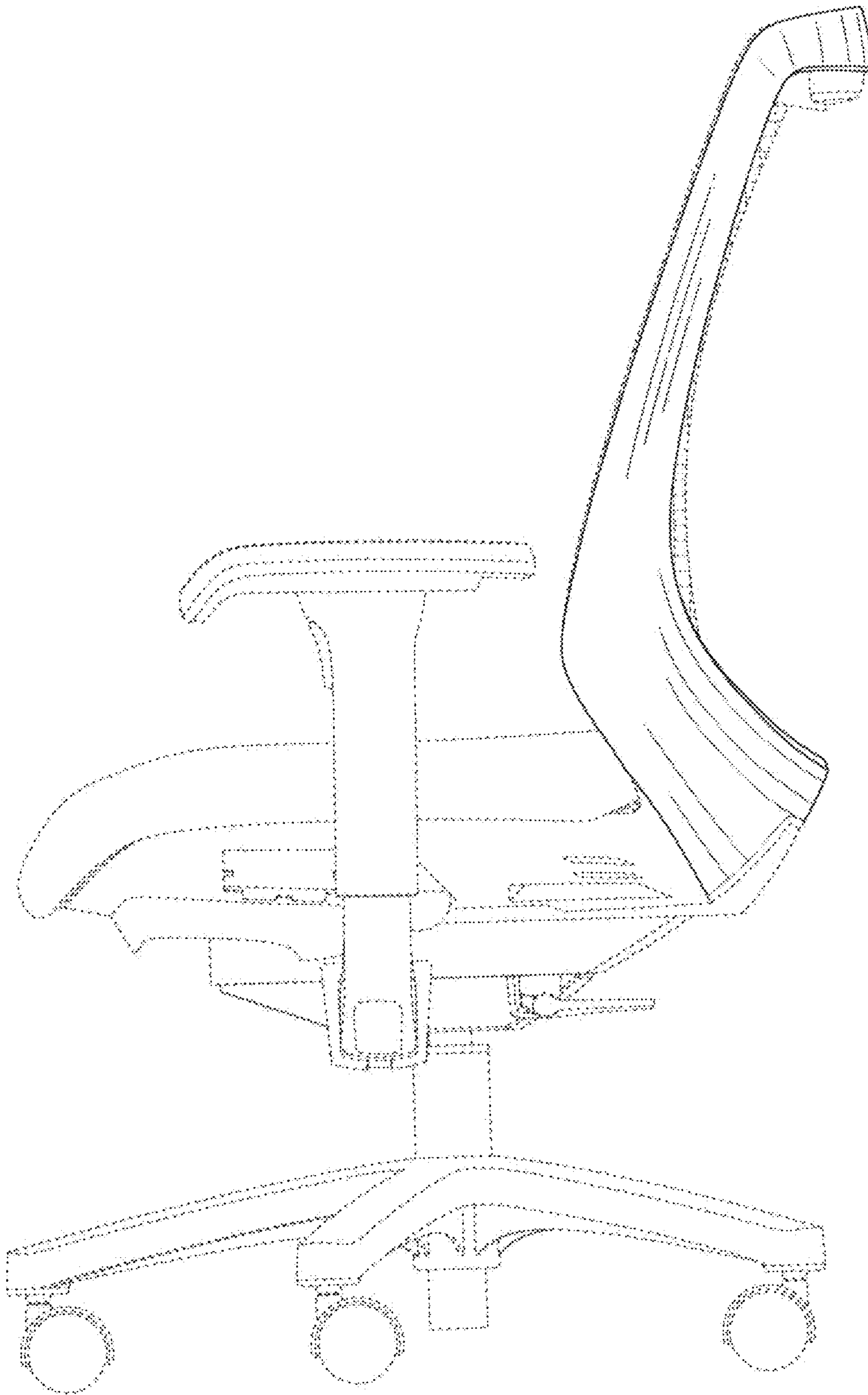


Fig. 7

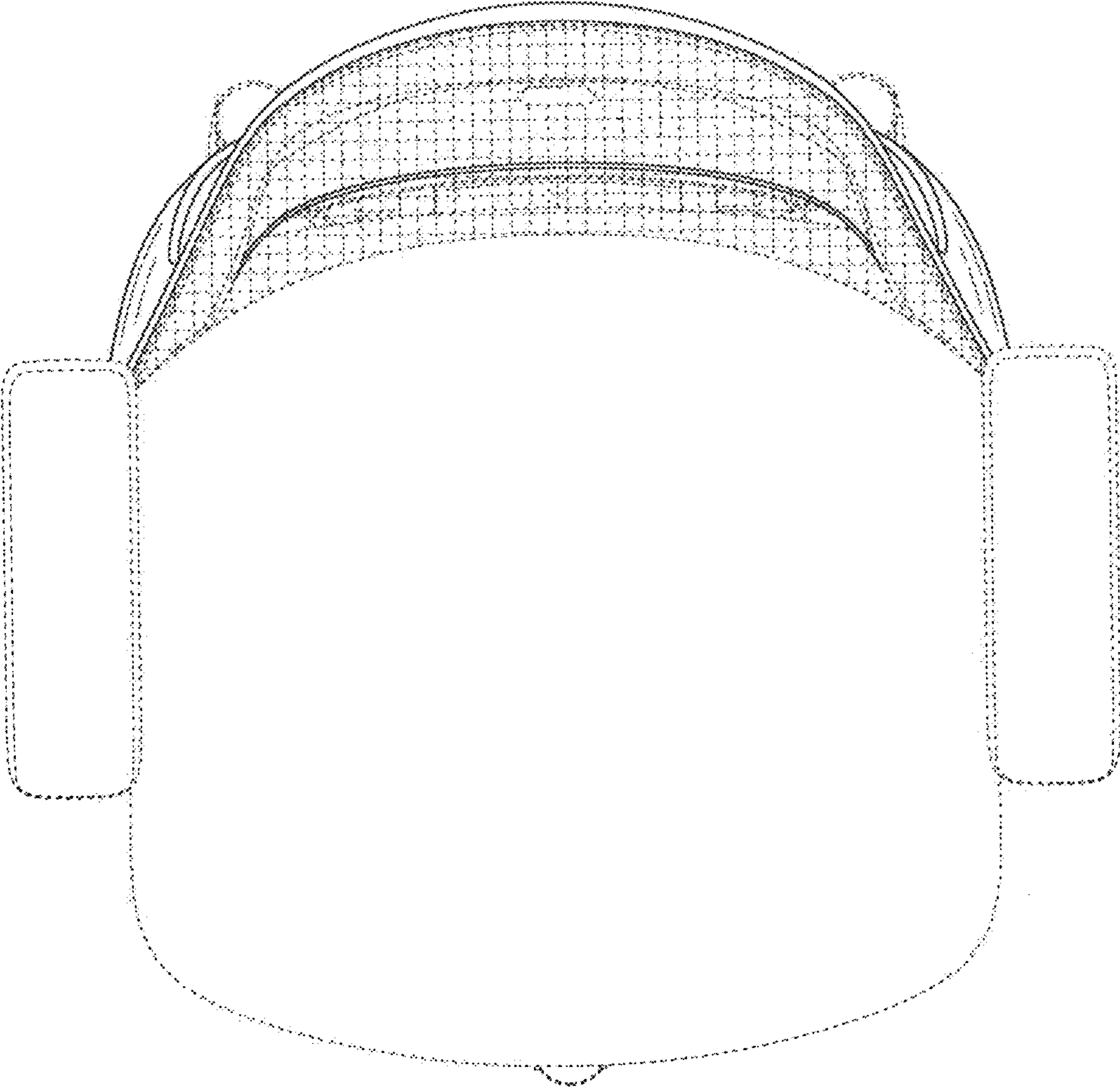


Fig. 8

