



US00D782238S

(12) **United States Design Patent**
Jun

(10) **Patent No.:** **US D782,238 S**
(45) **Date of Patent:** **** Mar. 28, 2017**

(54) **CHAIR BACK FRAME**

(71) Applicant: **CHAIR MEISTER CO., LTD.**,
Gyeonggi-do (KR)

(72) Inventor: **Jae Cheon Jun**, Seoul (KR)

(73) Assignee: **CHAIR MEISTER CO., LTD.**,
Gyeonggi-do (KR)

(**) Term: **15 Years**

(21) Appl. No.: **29/535,981**

(22) Filed: **Aug. 12, 2015**

(30) **Foreign Application Priority Data**

Apr. 3, 2015 (KR) 30-2015-0017201

(51) **LOC (10) Cl.** **06-01**

(52) **U.S. Cl.**
USPC **D6/716.4**

(58) **Field of Classification Search**

USPC D6/364-368, 374, 716; 297/56, 135,
297/284.4, 344.19, 353, 411.2, 452.18,
297/452.24, 452.26, 452.28, 452.32-33,
297/452.37

CPC A47C 7/02; A47C 7/44; A47C 7/46; A47C
7/48; A47C 7/54; A47C 7/386; A47C
7/462; A47C 1/10; A47C 1/031; B60N
2/02; B60N 2/22; B60N 2/44

See application file for complete search history.

(56) **References Cited**

U.S. PATENT DOCUMENTS

D544,735 S * 6/2007 Su D6/366
D574,645 S * 8/2008 Christensen D6/366

D580,198 S * 11/2008 Wu D6/366
D596,430 S * 7/2009 Su D6/366
7,604,299 B2 * 10/2009 Su A47C 7/40
297/452.18
D641,573 S * 7/2011 Tsai D6/716.4
D669,286 S * 10/2012 Pan D6/716.4
D687,660 S * 8/2013 Hsuan-Chin D6/366
D706,068 S * 6/2014 Tsai D6/716.4
D708,882 S * 7/2014 Hsuan-Chin D6/716.4

* cited by examiner

Primary Examiner — Manpreet Matharu

Assistant Examiner — Keith Wilson

(74) *Attorney, Agent, or Firm* — Hamre, Schumann,
Mueller & Larson, P.C.

(57) **CLAIM**

The ornamental design for a chair back frame, as shown and described.

DESCRIPTION

FIG. 1 is a front perspective view of an chair back frame;
FIG. 2 is a front elevation view of the chair back frame of
FIG. 1;
FIG. 3 is a rear elevation view of the chair back frame of
FIG. 1;
FIG. 4 is a left-side view of the chair back frame of FIG. 1;
FIG. 5 is a right-side view of the chair back frame of FIG.
1;
FIG. 6 is a top plan view of the chair back frame of FIG. 1;
FIG. 7 is a bottom plan view of the chair back frame of FIG.
1; and,
FIG. 8 is an enlarged view of a portion of the chair back
frame of FIG. 1.

1 Claim, 7 Drawing Sheets

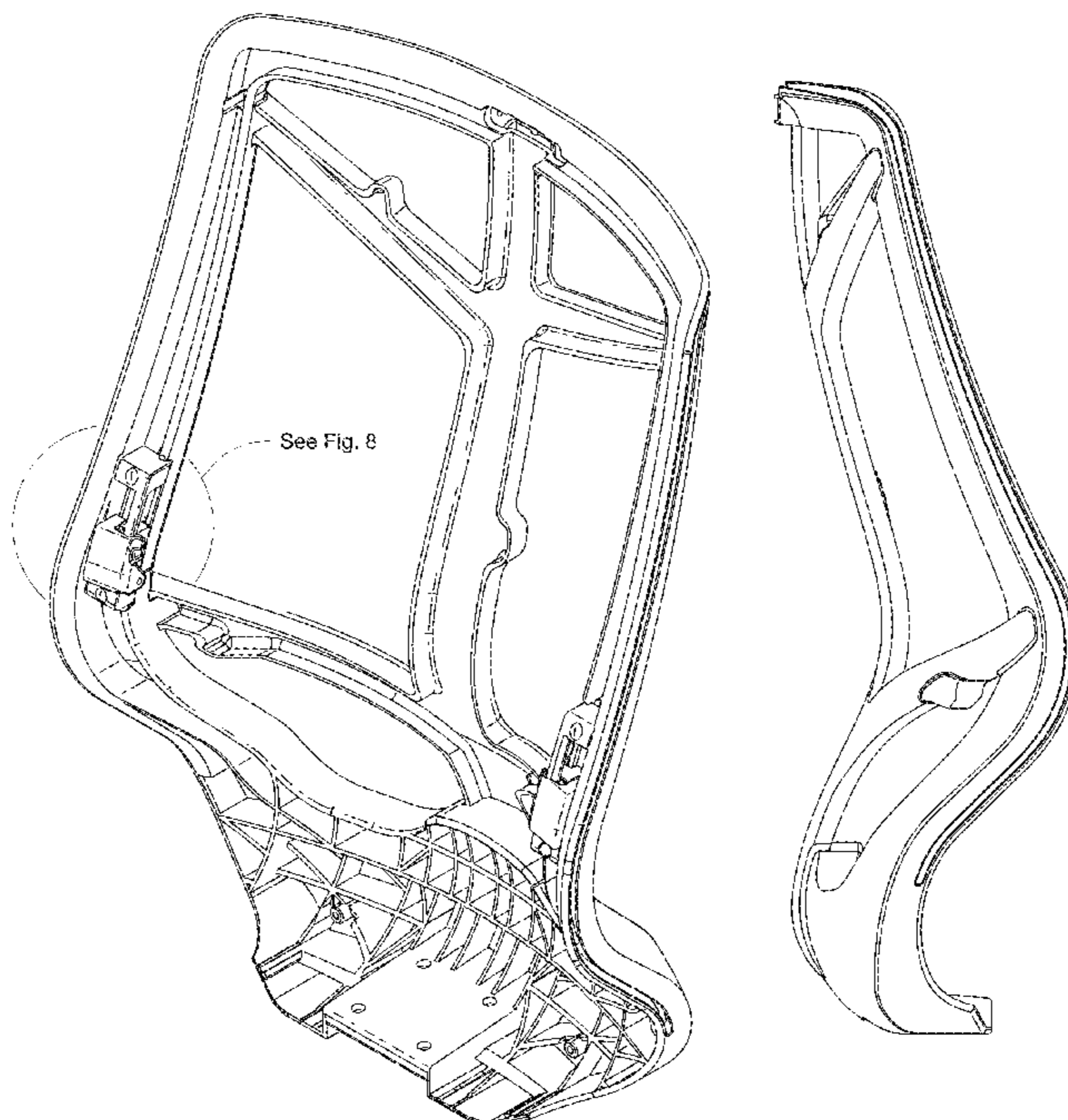


Fig. 1

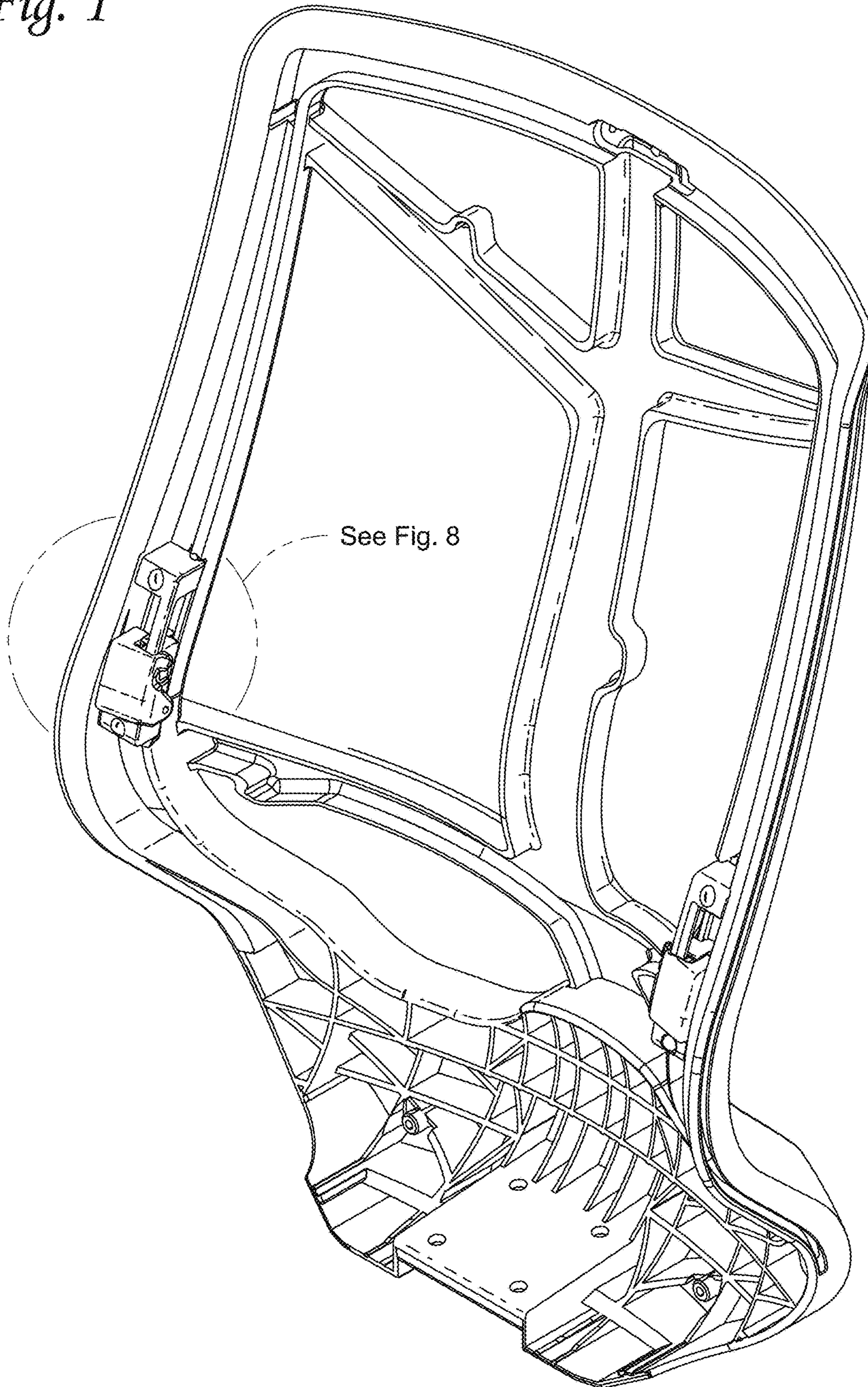


Fig. 2

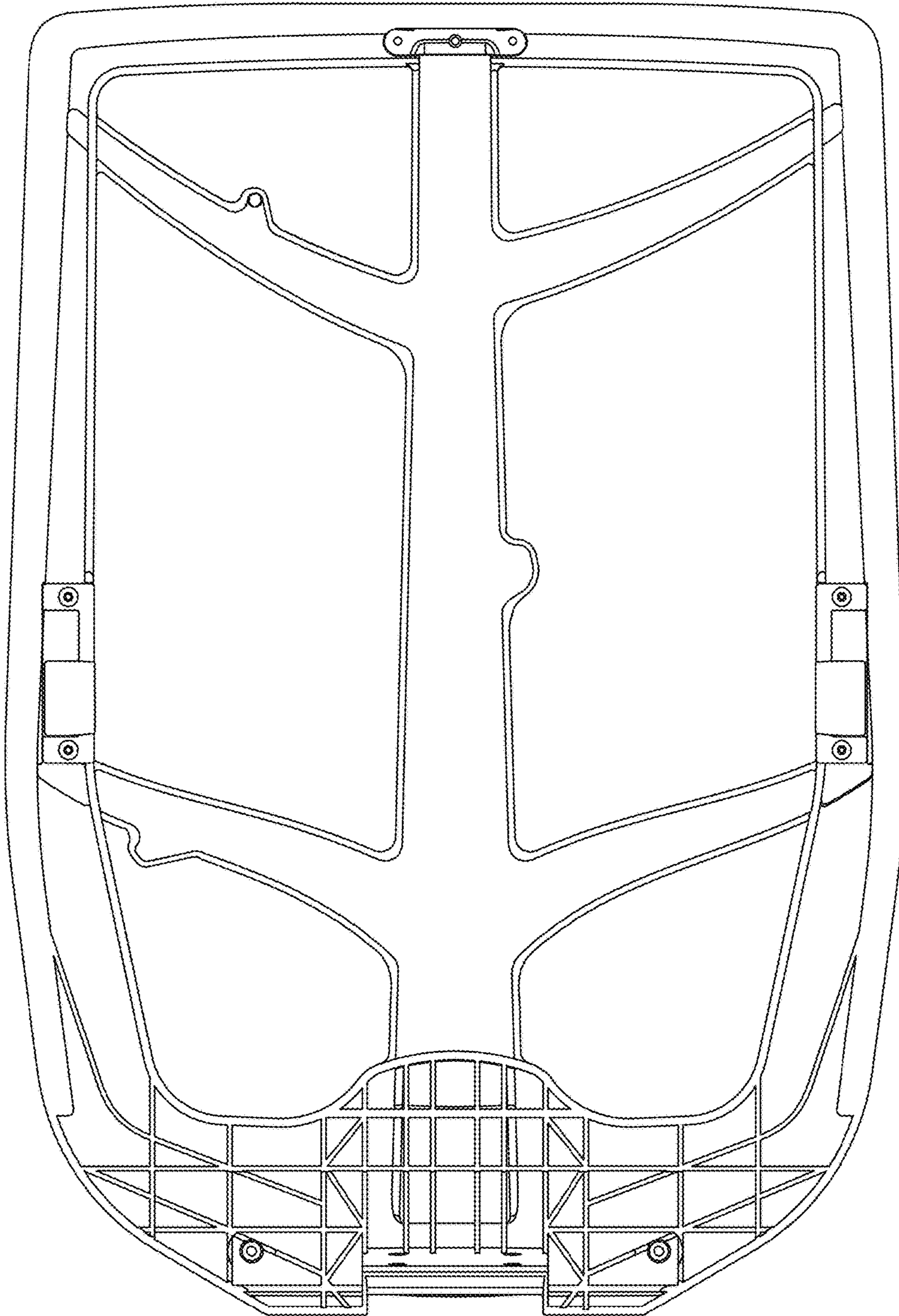


Fig. 3

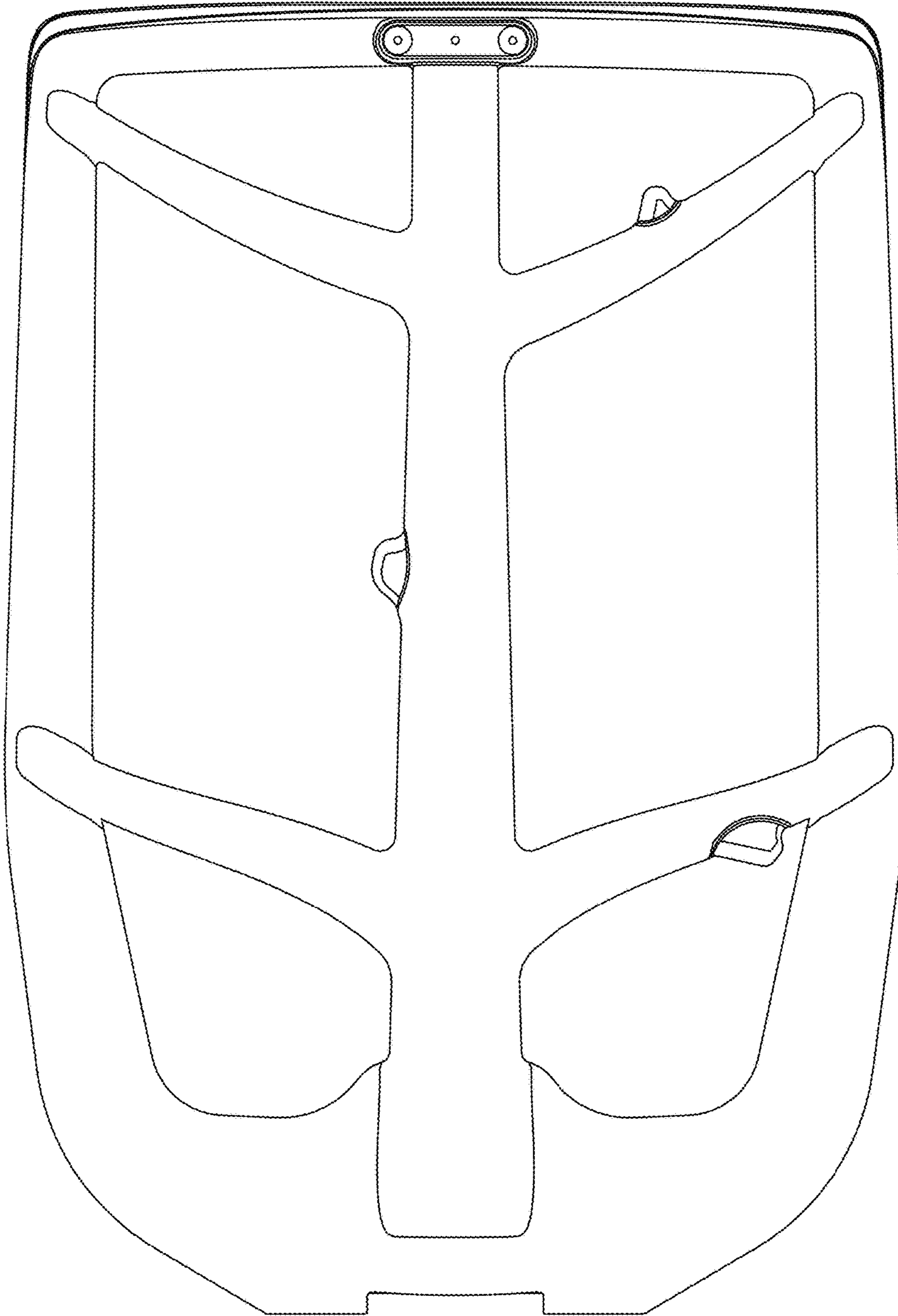


Fig. 4

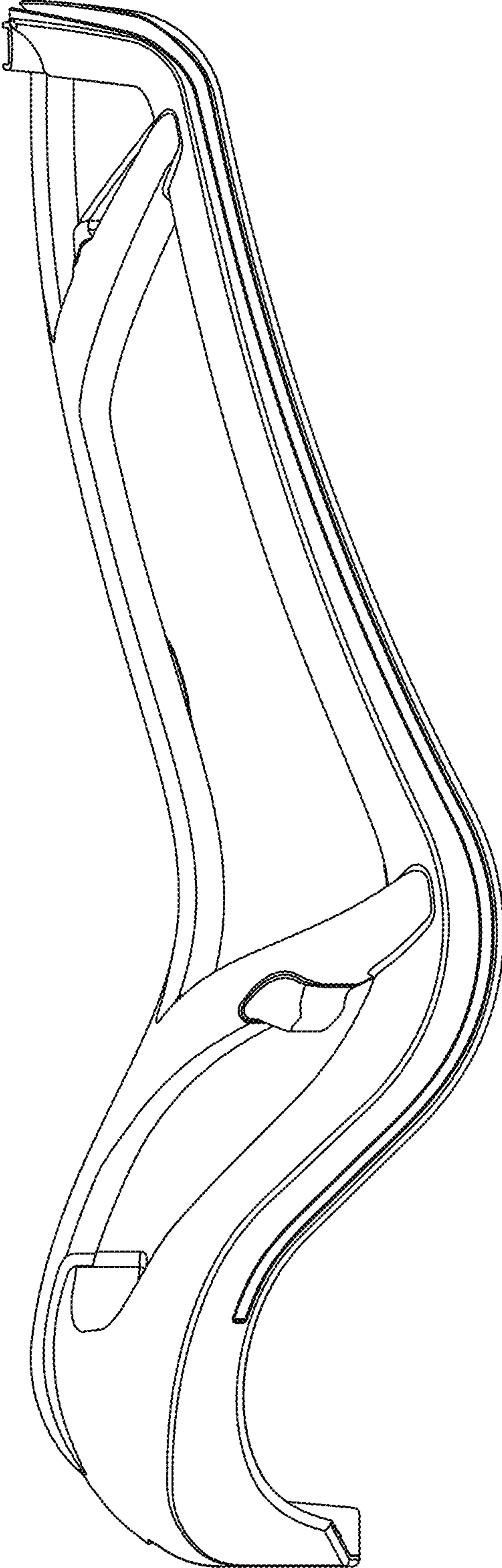


Fig. 5

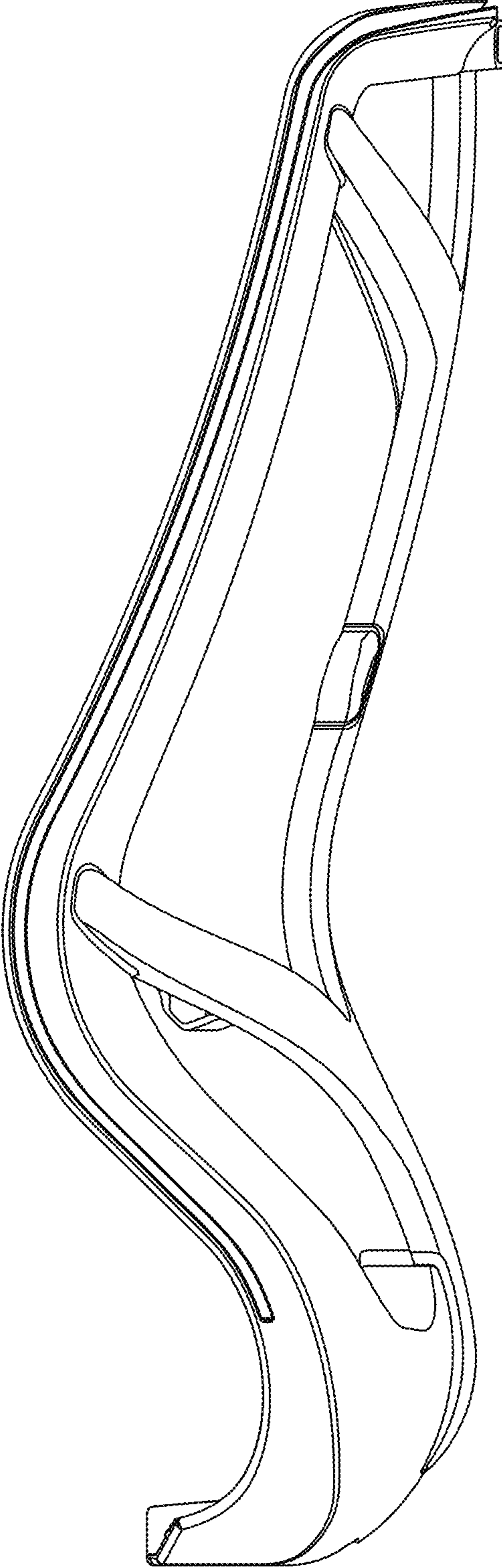


Fig. 6

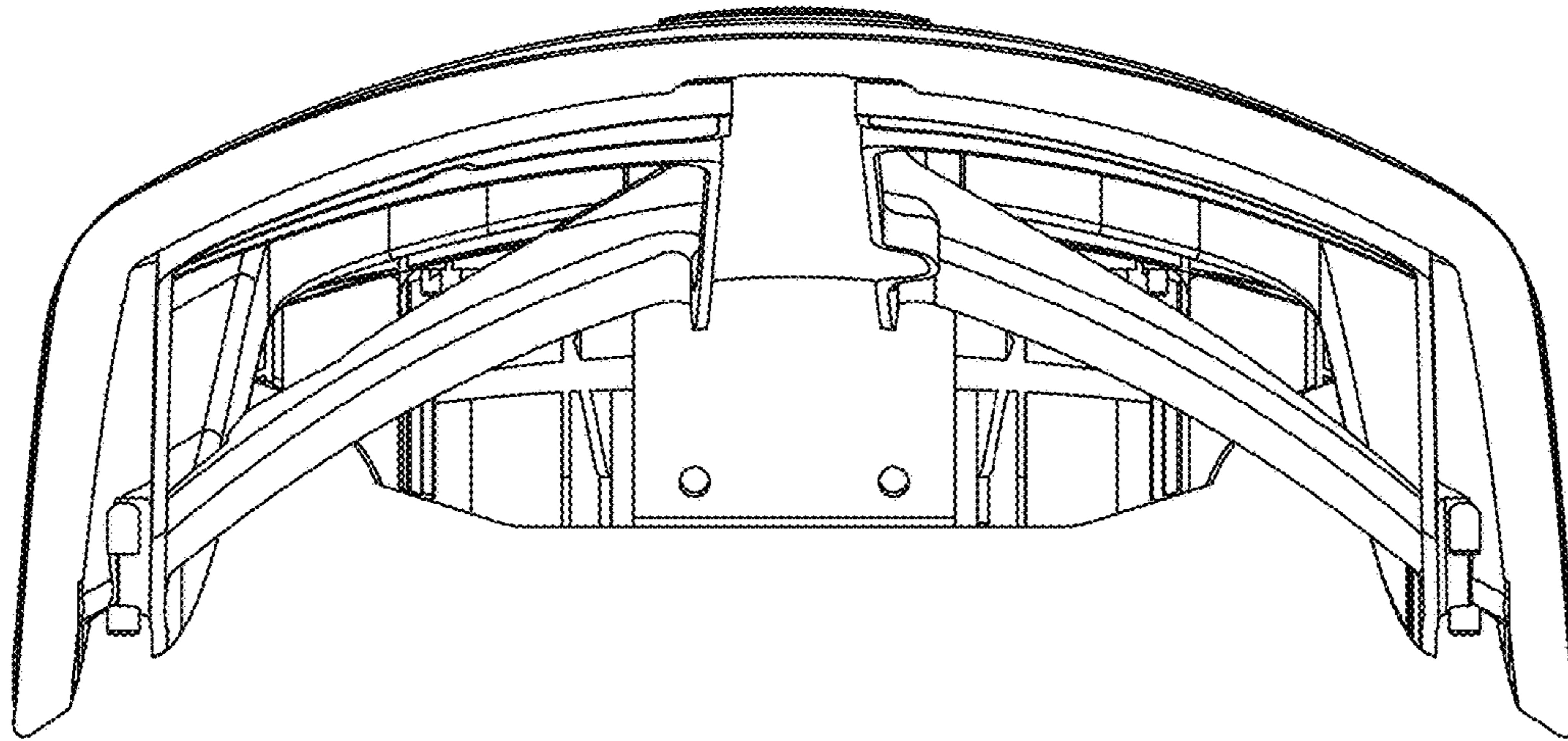


Fig. 7

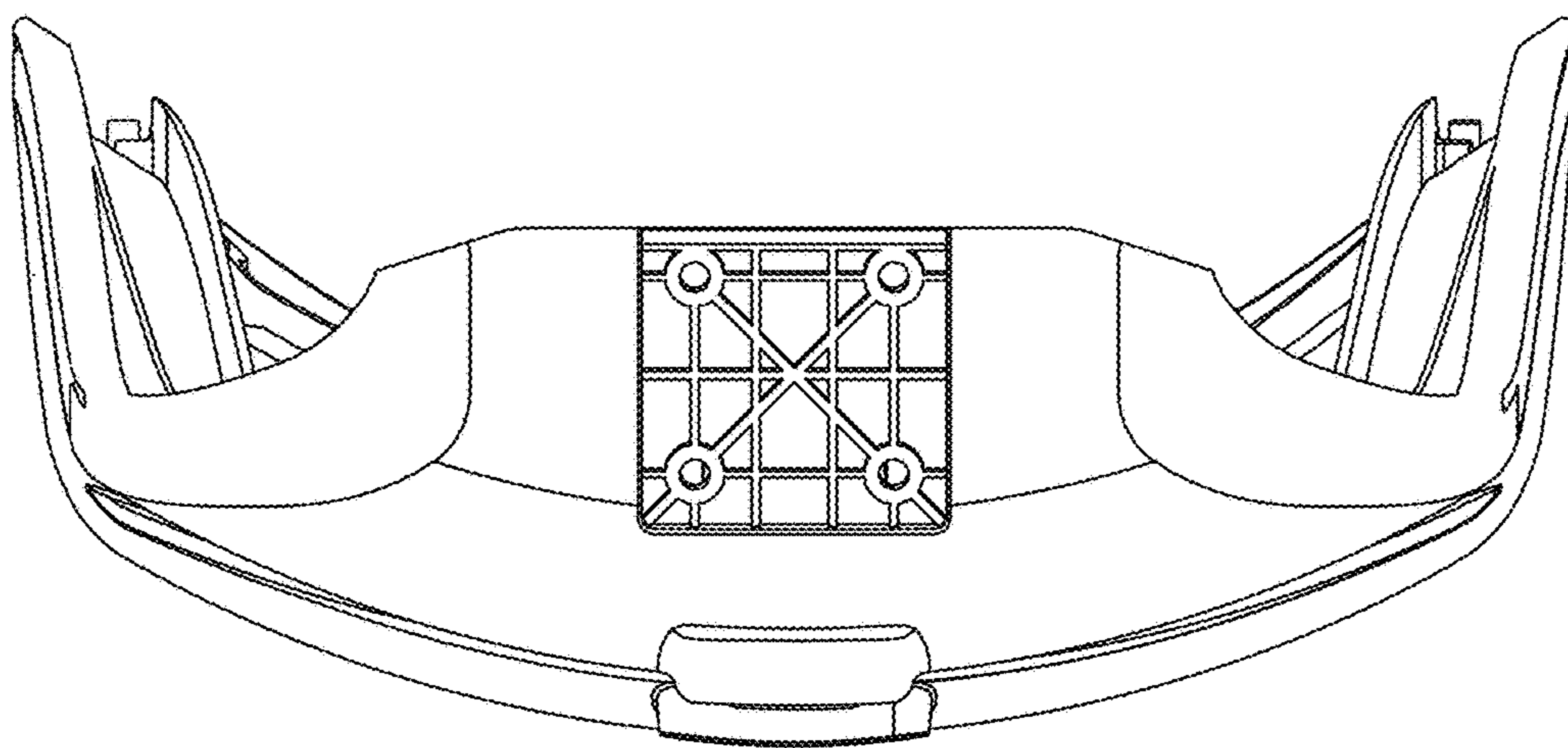


Fig. 8

