



US00D782237S

(12) **United States Design Patent**  
**Caforio**

(10) **Patent No.:** **US D782,237 S**  
(45) **Date of Patent:** **\*\* Mar. 28, 2017**

(54) **POSTURAL SYSTEM**

(71) Applicant: **PRO MEDICARE S.R.L.**, Mesagne,  
BR (IT)

(72) Inventor: **Rosaria Eugenia Caforio**, Mesagne  
(IT)

(73) Assignee: **PRO MEDICARE S.R.L.**, Mesagne  
(IT)

(\*\*) Term: **15 Years**

(21) Appl. No.: **29/571,709**

(22) Filed: **Jul. 21, 2016**

**Related U.S. Application Data**

(62) Division of application No. 29/536,230, filed on Aug. 14, 2015, now Pat. No. Des. 766,025, which is a division of application No. 29/498,774, filed on Aug. 7, 2014, now Pat. No. Des. 738,660, which is a division of application No. 29/483,373, filed on Feb. 27, 2014, now Pat. No. Des. 713,665, which is a division of application No. 29/468,158, filed on Sep. 26, 2013, now Pat. No. Des. 702,980, which is a division of application No. 29/451,830, filed on Apr. 9, 2013, now Pat. No. Des. 693,164, which is a division of application No. 29/433,797, filed on Oct. 4, 2012, now Pat. No. Des. 680,778, which is a division of application No. 29/379,909, filed on Nov. 26, 2010, now Pat. No. Des. 670,109.

(30) **Foreign Application Priority Data**

May 26, 2010 (EM) ..... 001712142

(51) **LOC (10) Cl.** ..... **06-01**

(52) **U.S. Cl.**  
USPC ..... **D6/716.1**

(58) **Field of Classification Search**  
USPC ..... D6/354, 368, 595-604, 716, 716.1

CPC ..... A47G 9/10; A47G 9/1009; A47G 9/1018;  
A47G 9/1027; A47G 9/1036; A47G  
9/1045; A47G 9/1063; A47G 9/1072;  
A47G 9/1081; A47G 9/109; A47C 3/00;  
A47C 4/54; A47C 7/021; A47C 7/022;  
A47C 7/024; A47C 7/14; A47C 7/425;  
A47C 27/00; A47C 27/146; B60N 2/643;  
B62J 1/26

See application file for complete search history.

(56) **References Cited**

U.S. PATENT DOCUMENTS

4,835,801 A \* 6/1989 Walpin ..... A47C 7/425  
297/452.32  
D386,035 S \* 11/1997 Matsler ..... D6/596  
6,611,980 B2 \* 9/2003 Wempe ..... A47C 7/022  
5/653  
8,398,170 B2 \* 3/2013 Walker ..... A47C 7/022  
297/284.1  
D747,613 S \* 1/2016 Scarlett ..... D6/601  
D766,025 S \* 9/2016 Caforio ..... D6/716.1

(Continued)

*Primary Examiner* — Ricky Pham

(74) *Attorney, Agent, or Firm* — Sughrue Mion, PLLC

(57) **CLAIM**

The ornamental design for a postural system, as shown and described.

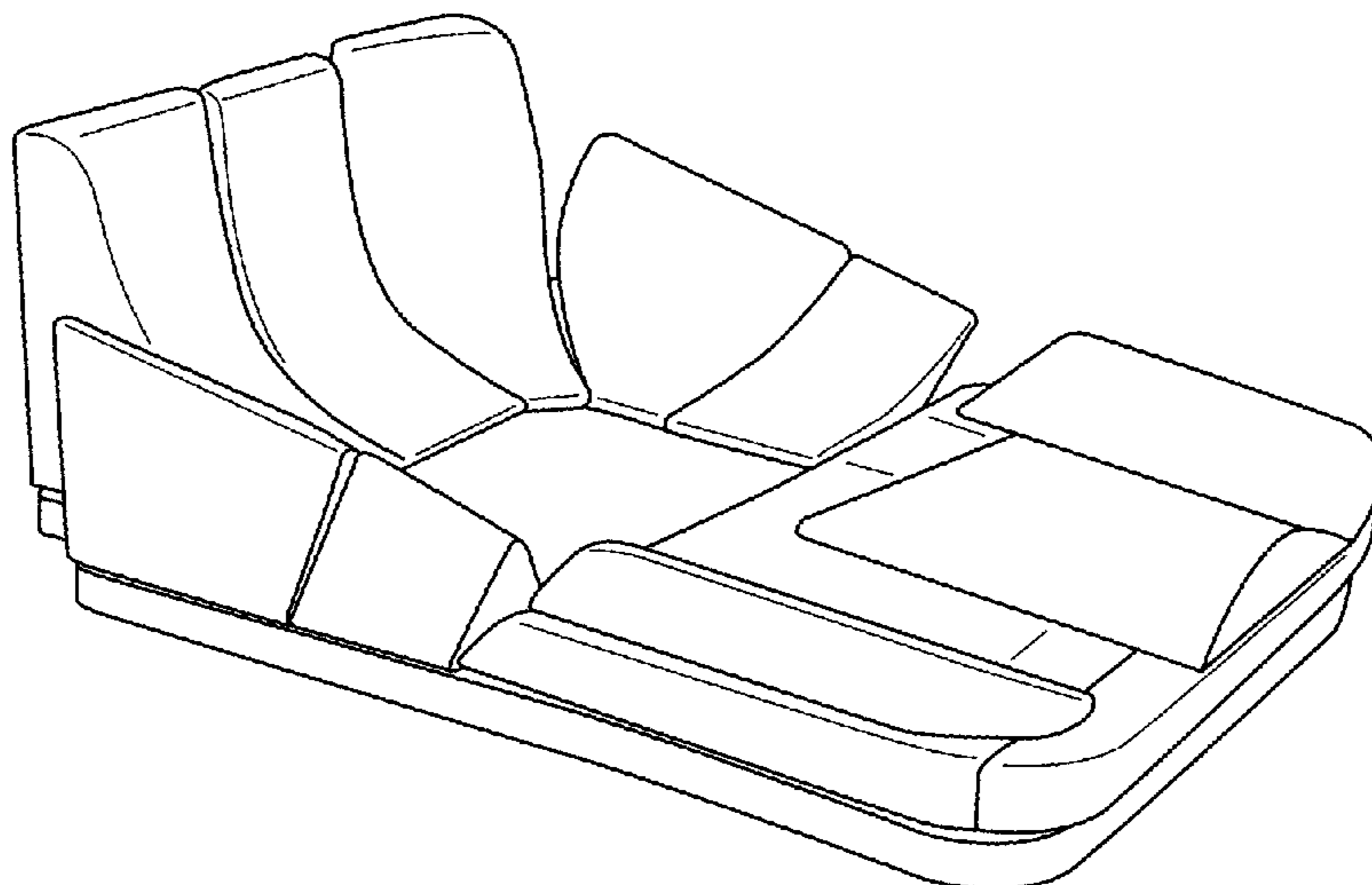
**DESCRIPTION**

FIG. 1 is a perspective view of a postural system showing my new design, shown without the padding system for ease of illustration;

FIG. 2 is an exploded view of the postural system of FIG. 1; and,

FIG. 3 is a perspective view of the postural system of FIG. 1, shown with a padding system.

**1 Claim, 3 Drawing Sheets**



(56)

**References Cited**

U.S. PATENT DOCUMENTS

2002/0175553	A1 *	11/2002	Steifensand .....	A47C 3/00 297/452.22
2003/0030319	A1 *	2/2003	Clapper .....	A47C 4/54 297/452.41
2003/0121103	A1 *	7/2003	Wempe .....	A47C 7/022 5/654
2005/0066445	A1 *	3/2005	Christofferson .....	A47C 7/021 5/654
2006/0174414	A1 *	8/2006	Maarbjerg .....	A47G 9/10 5/636
2008/0079306	A1 *	4/2008	Whelan .....	A47C 7/021 297/452.41
2012/0137441	A1 *	6/2012	Caforio .....	A47C 7/022 5/652

\* cited by examiner

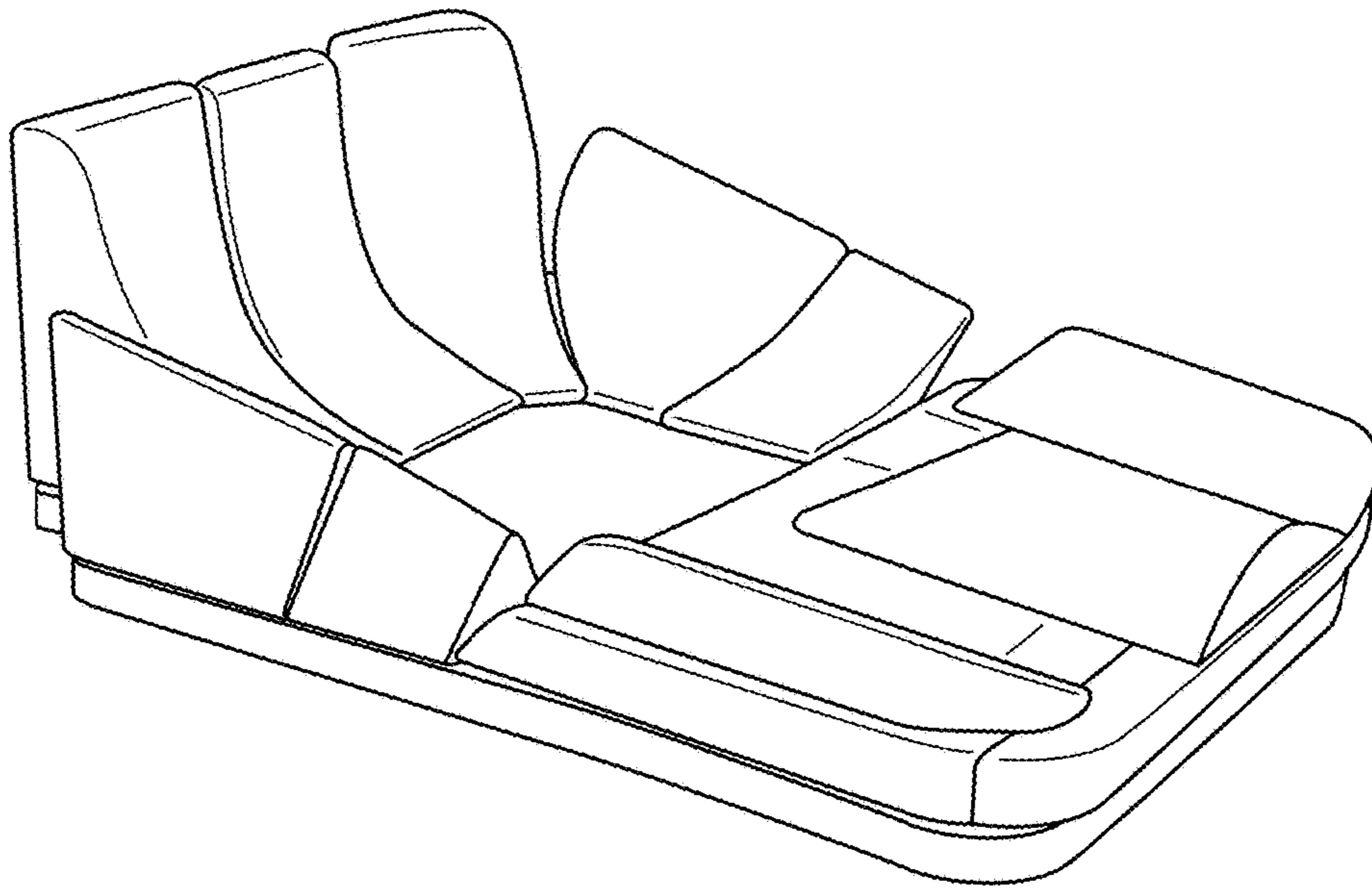


FIG. 1

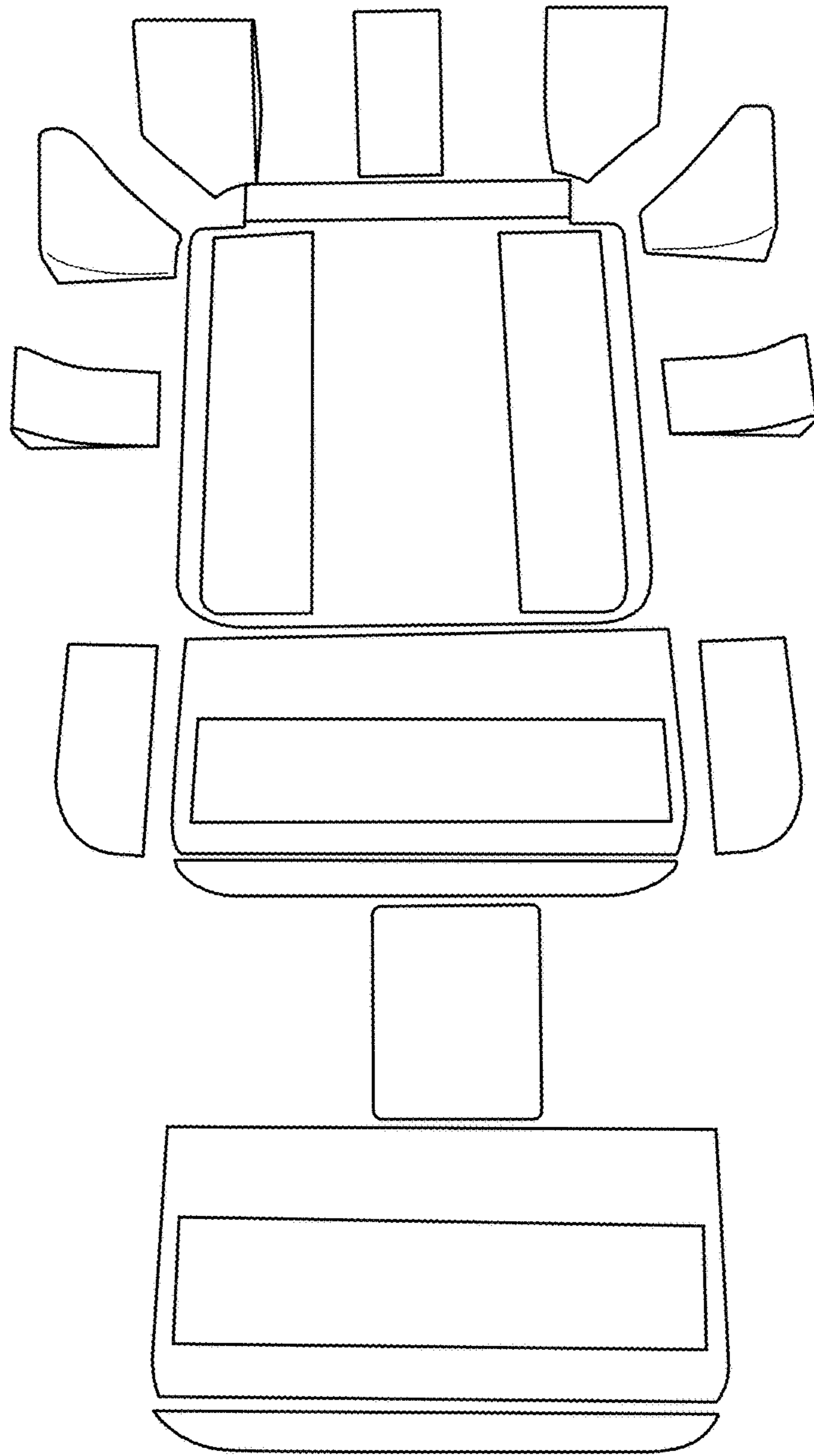


FIG. 2

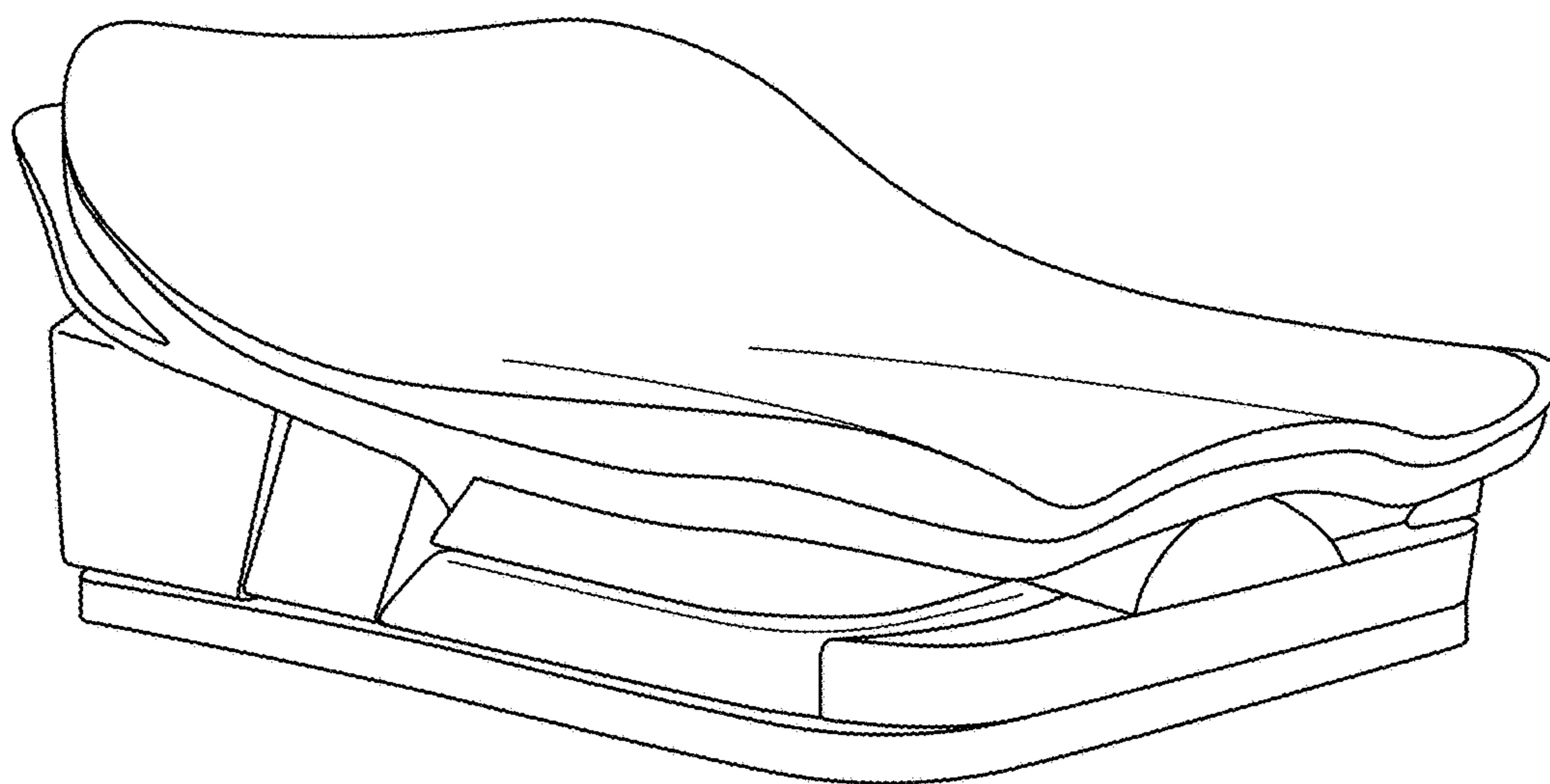


FIG. 3