



US00D782236S

(12) **United States Design Patent**
Wu

(10) **Patent No.:** **US D782,236 S**

(45) **Date of Patent:** **** Mar. 28, 2017**

(54) **LEG FOR A CHAIR**

D662,339 S * 6/2012 Hazzard D6/708.23
D733,446 S * 7/2015 Izawa D6/366
D738,129 S * 9/2015 Wu D6/366

(71) Applicant: **Yao-Chuan Wu**, Chiayi Hsien (TW)

(72) Inventor: **Yao-Chuan Wu**, Chiayi Hsien (TW)

(**) Term: **14 Years**

(21) Appl. No.: **29/494,019**

(22) Filed: **Jun. 17, 2014**

(51) **LOC (10) Cl.** **06-01**

(52) **U.S. Cl.**
USPC **D6/708.23**

(58) **Field of Classification Search**
USPC D6/334–336, 363–366, 368, 702–710
CPC A47C 7/002; A47C 7/004; A47C 7/006;
A47C 3/20; A47C 3/24
See application file for complete search history.

(56) **References Cited**

U.S. PATENT DOCUMENTS

D346,279 S * 4/1994 Stumpf D6/366
D398,163 S * 9/1998 Desanta D6/366
D507,436 S * 7/2005 Chao D6/366
D517,820 S * 3/2006 Citterio D6/366
D541,063 S * 4/2007 Su D6/366
D560,406 S * 1/2008 Privatt D6/708.23
D569,663 S * 5/2008 Pearsons D6/708.23
D588,384 S * 3/2009 Zhang D6/708.23
D653,480 S * 2/2012 Tsai D6/708.23

OTHER PUBLICATIONS

Serta Smart Layers Manager Harmony Office Chair, Brown.
[online] Published date unknown. Retrieved on Aug. 31, 2016 from
<URL: <https://www.amazon.com/Serta-Layers-Manager-Harmony-Office/dp/B00T07KDRY>>.*

* cited by examiner

Primary Examiner — Vy Koenig
Assistant Examiner — Omeed Agilee
(74) *Attorney, Agent, or Firm* — Alan D. Kamrath;
Kamrath IP Lawfirm, P.A.

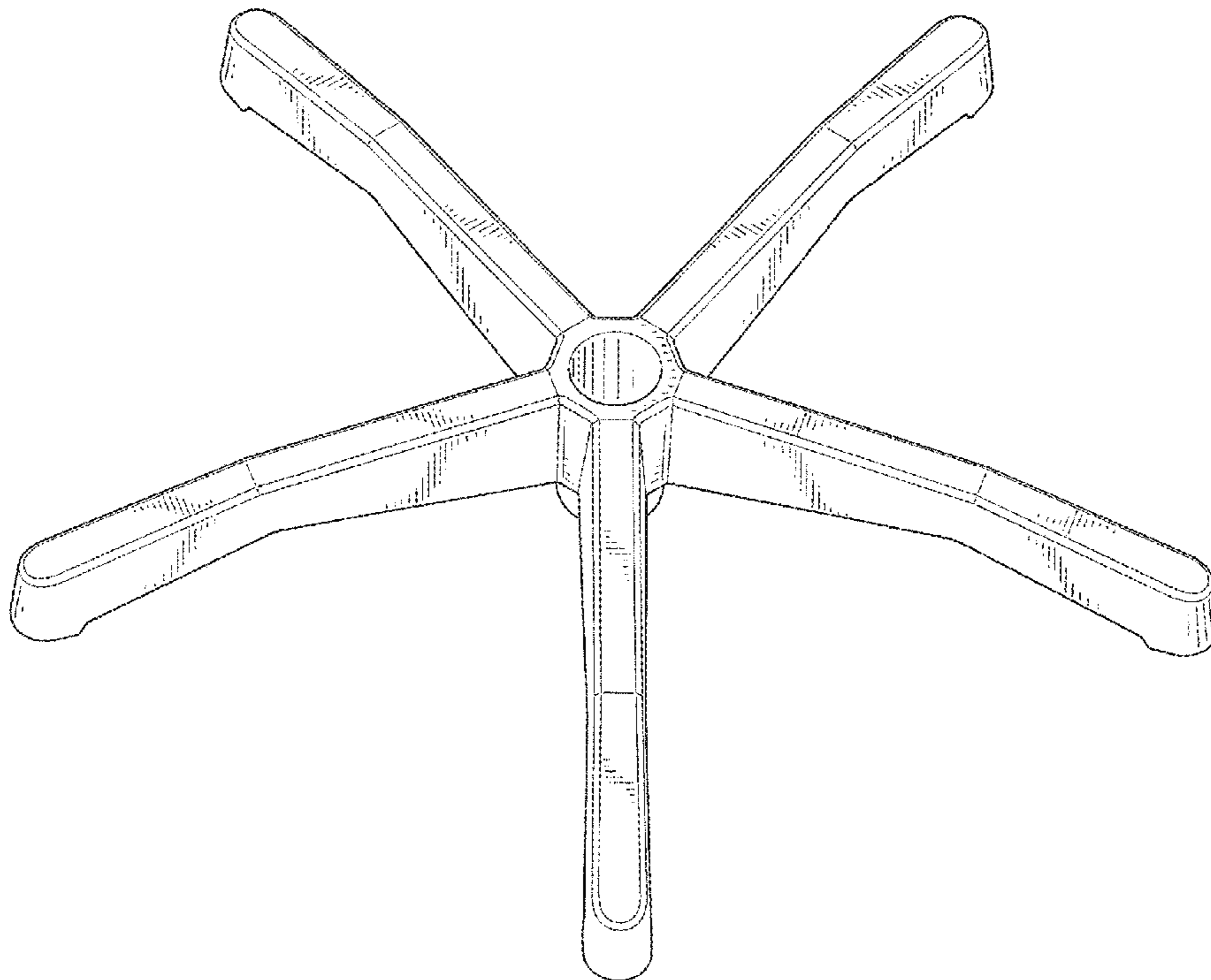
(57) **CLAIM**

The ornamental design for a leg for a chair, as shown.

DESCRIPTION

FIG. 1 is a perspective view of a leg for a chair showing my new design;
FIG. 2 is a front view thereof;
FIG. 3 is a rear view thereof;
FIG. 4 is a left side view thereof;
FIG. 5 is a right side view thereof;
FIG. 6 is a top view thereof;
FIG. 7 is a bottom view thereof; and,
FIG. 8 is another perspective view thereof.

1 Claim, 6 Drawing Sheets



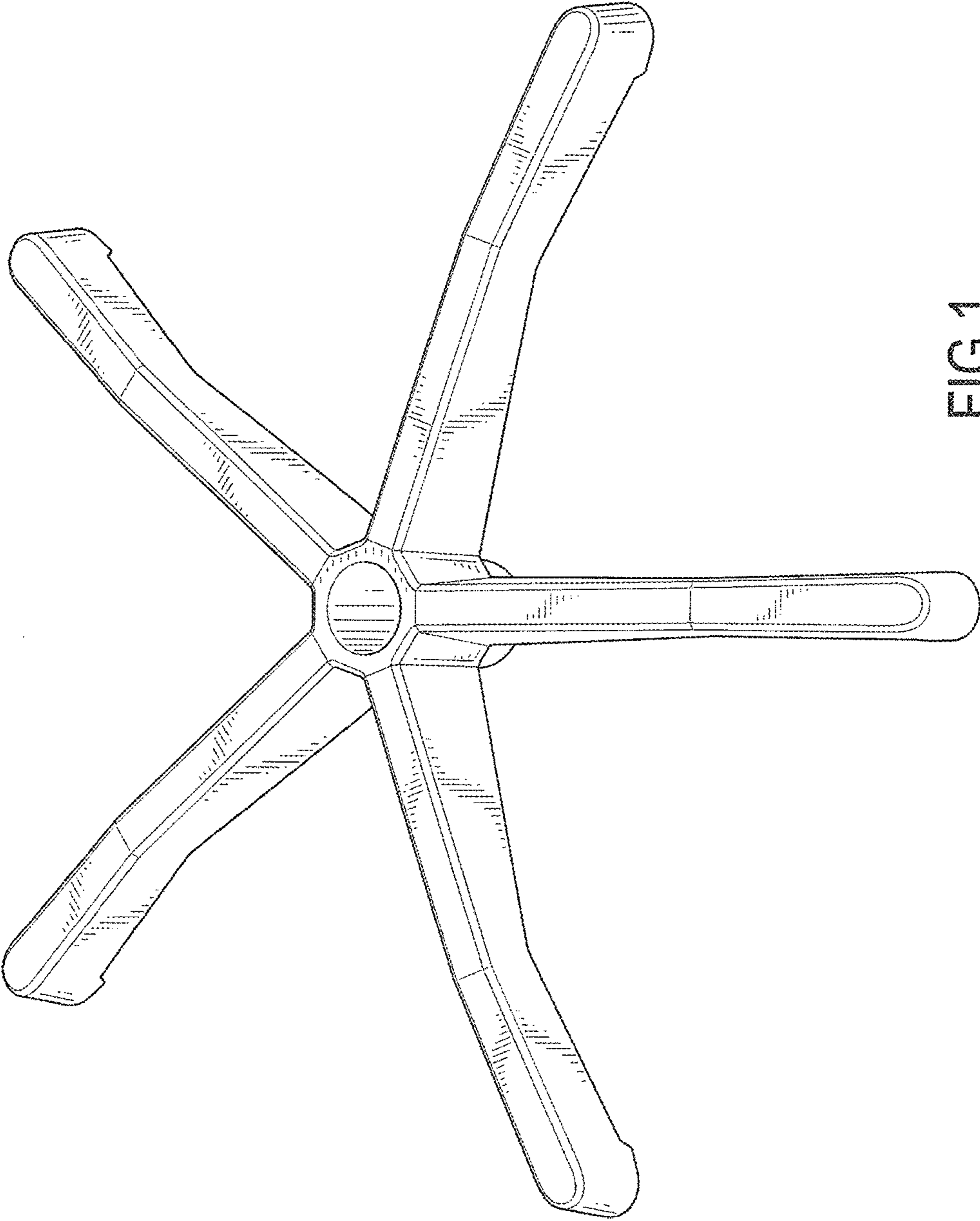


FIG.1

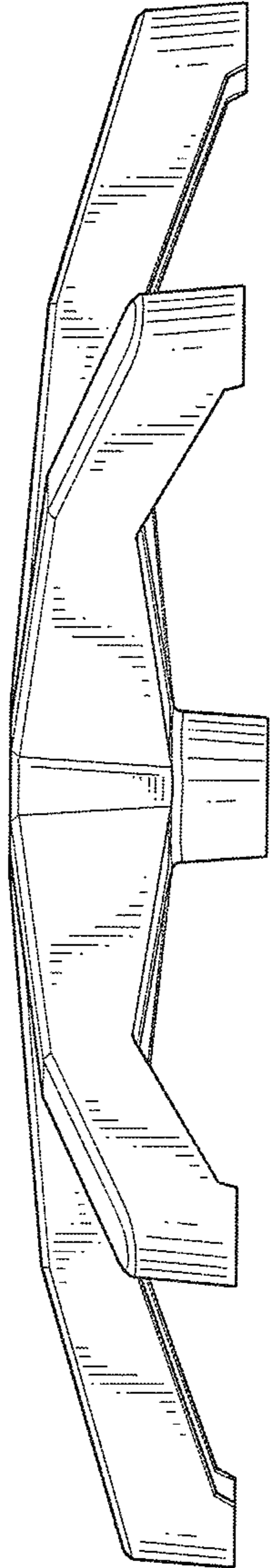


FIG. 2

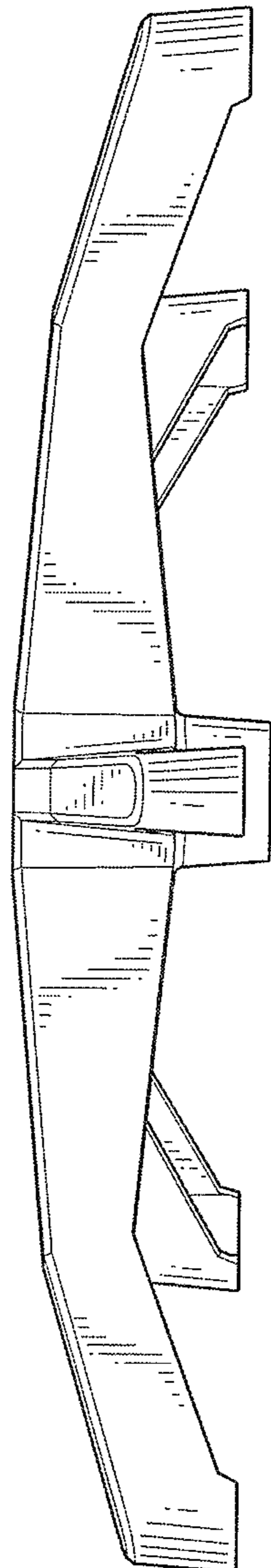


FIG. 3

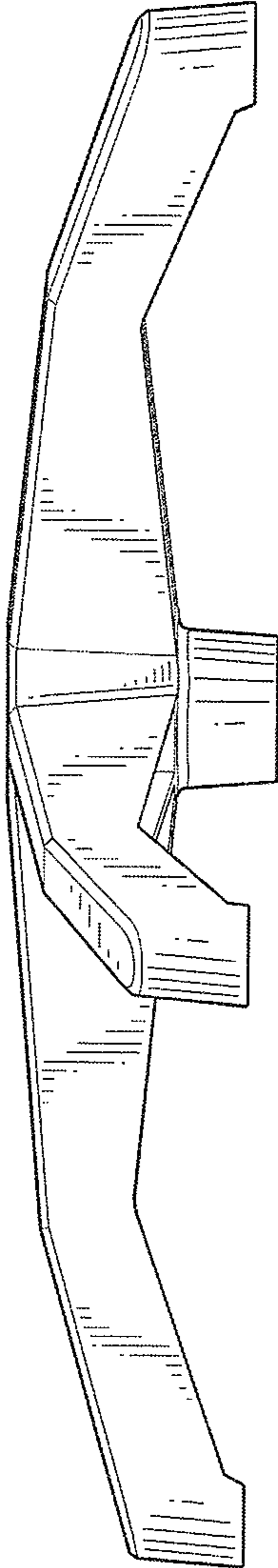


FIG.4

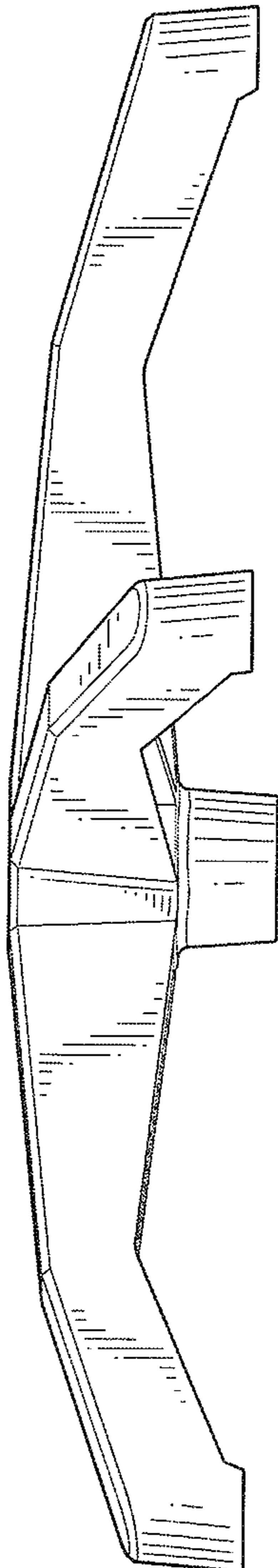


FIG.5

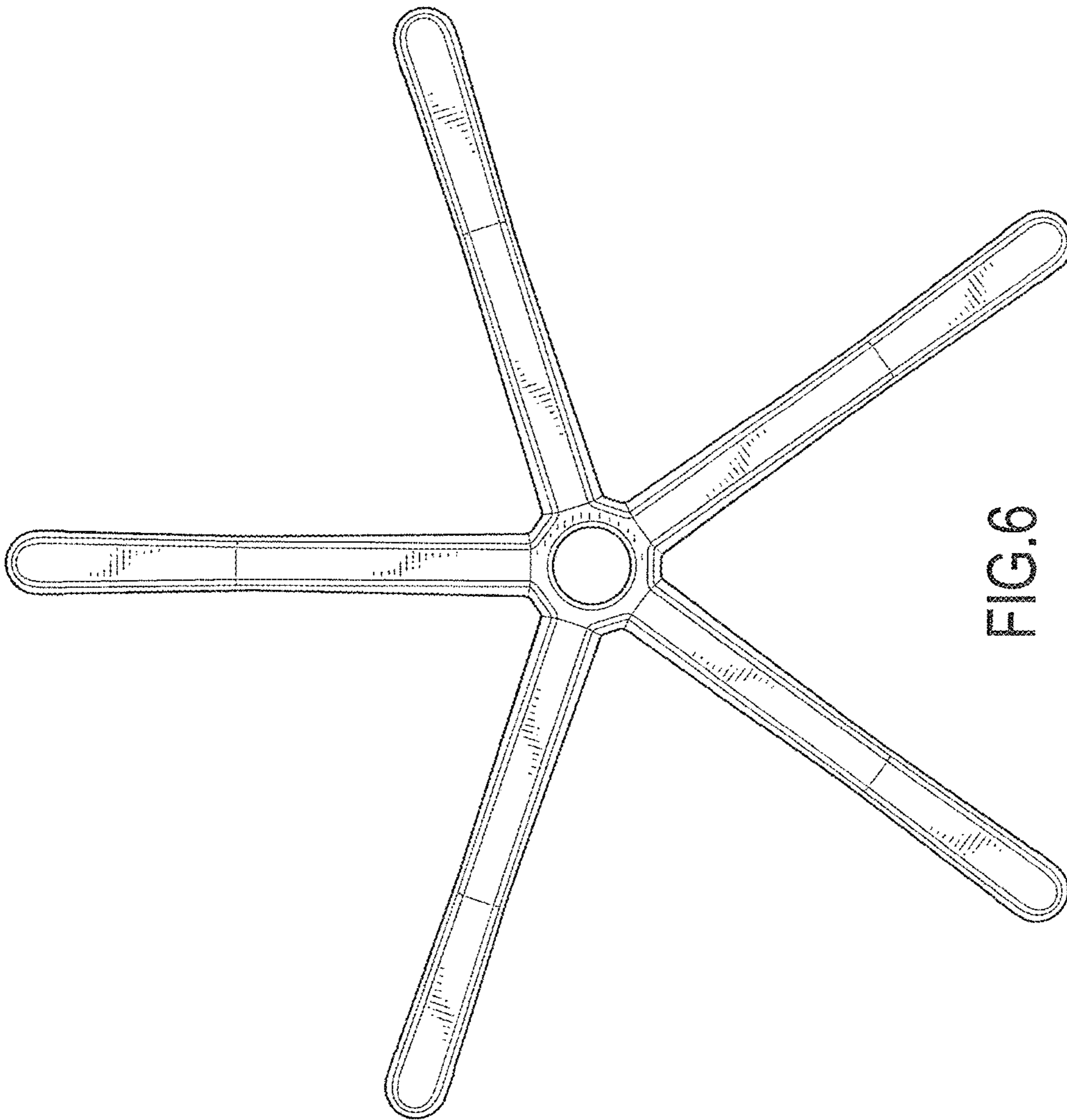


FIG.6

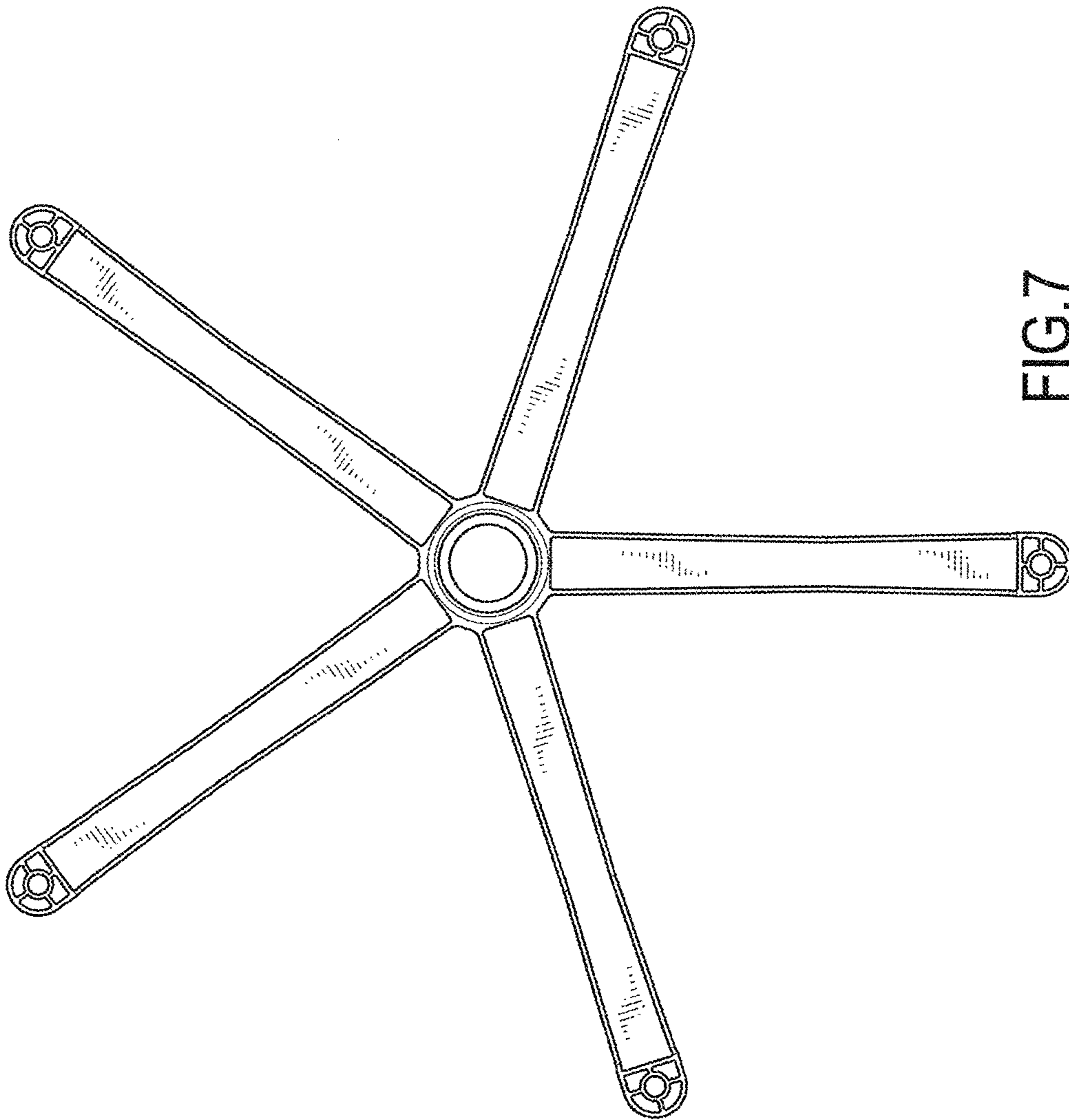


FIG.7

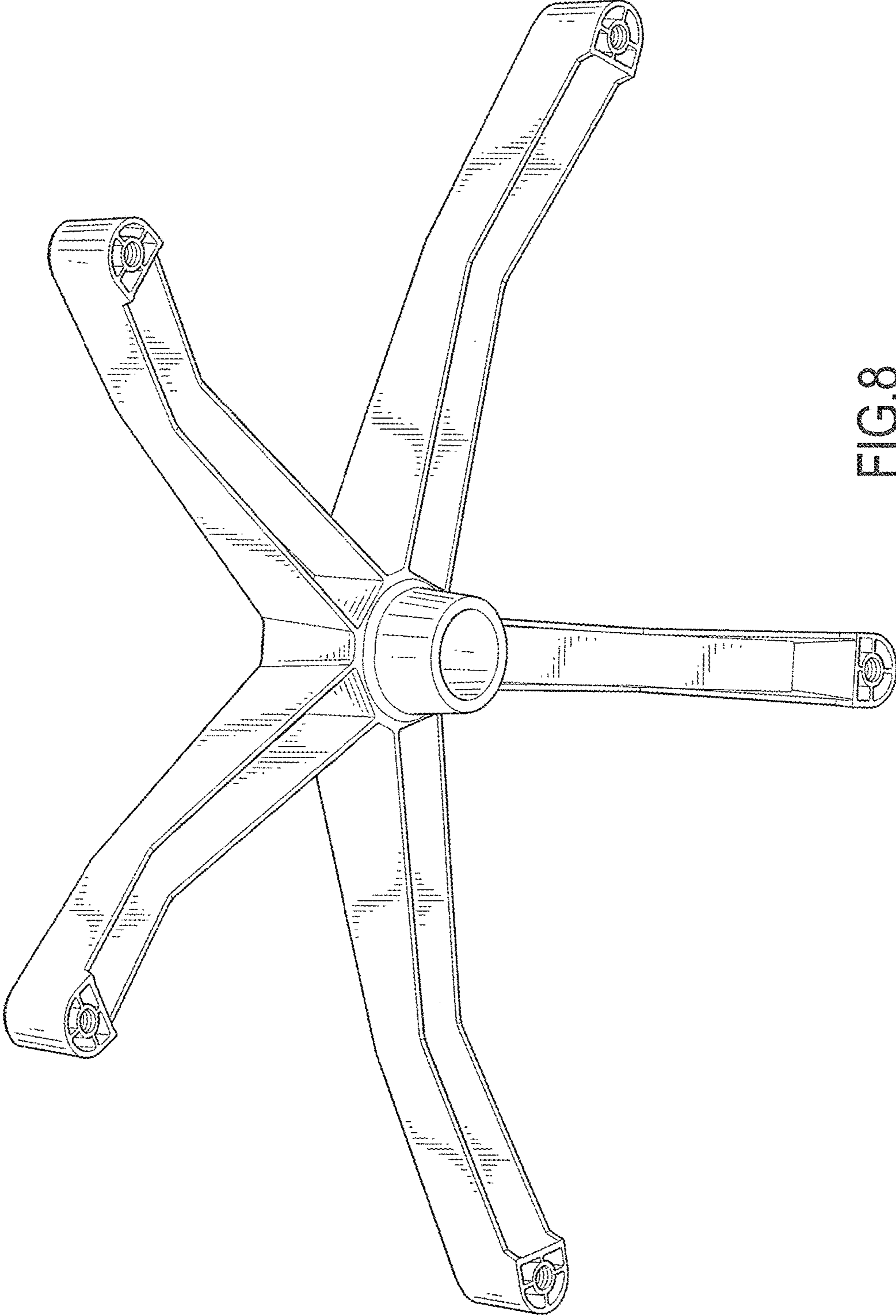


FIG.8