



US00D782235S

(12) **United States Design Patent**
Andresen et al.

(10) **Patent No.:** **US D782,235 S**

(45) **Date of Patent:** **** Mar. 28, 2017**

(54) **FLEXIBLE STAND**

(71) Applicant: **Bright Products AS**, Oslo (NO)

(72) Inventors: **Marius Andresen**, Oslo (NO); **Olivier Butstraen**, Oslo (NO)

(73) Assignee: **Bright Products AS**, Oslo (NO)

(**) Term: **14 Years**

(21) Appl. No.: **29/523,496**

(22) Filed: **Apr. 10, 2015**

(30) **Foreign Application Priority Data**

Oct. 10, 2014 (EM) 002555342-0001
Oct. 10, 2014 (EM) 002555342-0002

(51) **LOC (10) Cl.** **06-06**

(52) **U.S. Cl.**
USPC **D6/708**

(58) **Field of Classification Search**
USPC D6/310, 312, 708, 708.22, 708.23, 512,
D6/707.19, 663, 664, 667, 671, 671.1,
(Continued)

(56) **References Cited**

U.S. PATENT DOCUMENTS

1,713,082 A * 5/1929 Hoffman G09F 1/14
40/603
D246,565 S * 12/1977 Roark D34/6
D307,851 S * 5/1990 Polidoros D34/6
D310,605 S * 9/1990 Kwon D6/368
D341,688 S * 11/1993 Binkley D34/5
5,413,329 A * 5/1995 Hirsch A63B 55/10
211/70.2
5,930,933 A * 8/1999 Schleicher F41A 23/16
42/94

(Continued)

OTHER PUBLICATIONS

“Vyne Bendable Tablet Stand” Sep. 5, 2014, Vyne Products, site visited Oct. 3, 2016 <<http://vyneproducts.com/pages/features>>.*

Primary Examiner — Kevin Rudzinski

Assistant Examiner — Paul Bohannon

(74) *Attorney, Agent, or Firm* — Diederiks & Whitelaw, PLC

(57) **CLAIM**

The ornamental design for a flexible stand, as shown and described.

DESCRIPTION

FIG. 1 is an upper perspective view of a flexible stand according to our new design shown in a folded or retracted position;

FIG. 2 is a front elevational view of the flexible stand in the retracted position;

FIG. 3 is a rear elevational view of the flexible stand in the retracted position;

FIG. 4 is a top plan view of the flexible stand in the retracted position;

FIG. 5 is a bottom plan view of the flexible stand in the retracted position;

FIG. 6 is a left side elevational view of the flexible stand in the retracted position;

FIG. 7 is a right side elevational view of the flexible stand in the retracted position;

FIG. 8 is a perspective view of the flexible stand in an extended or in-use position;

FIG. 9 is a front elevational view of the flexible stand in the extended position;

FIG. 10 is a rear elevational view of the flexible stand in the extended position;

FIG. 11 is a top plan view of the flexible stand in the extended position;

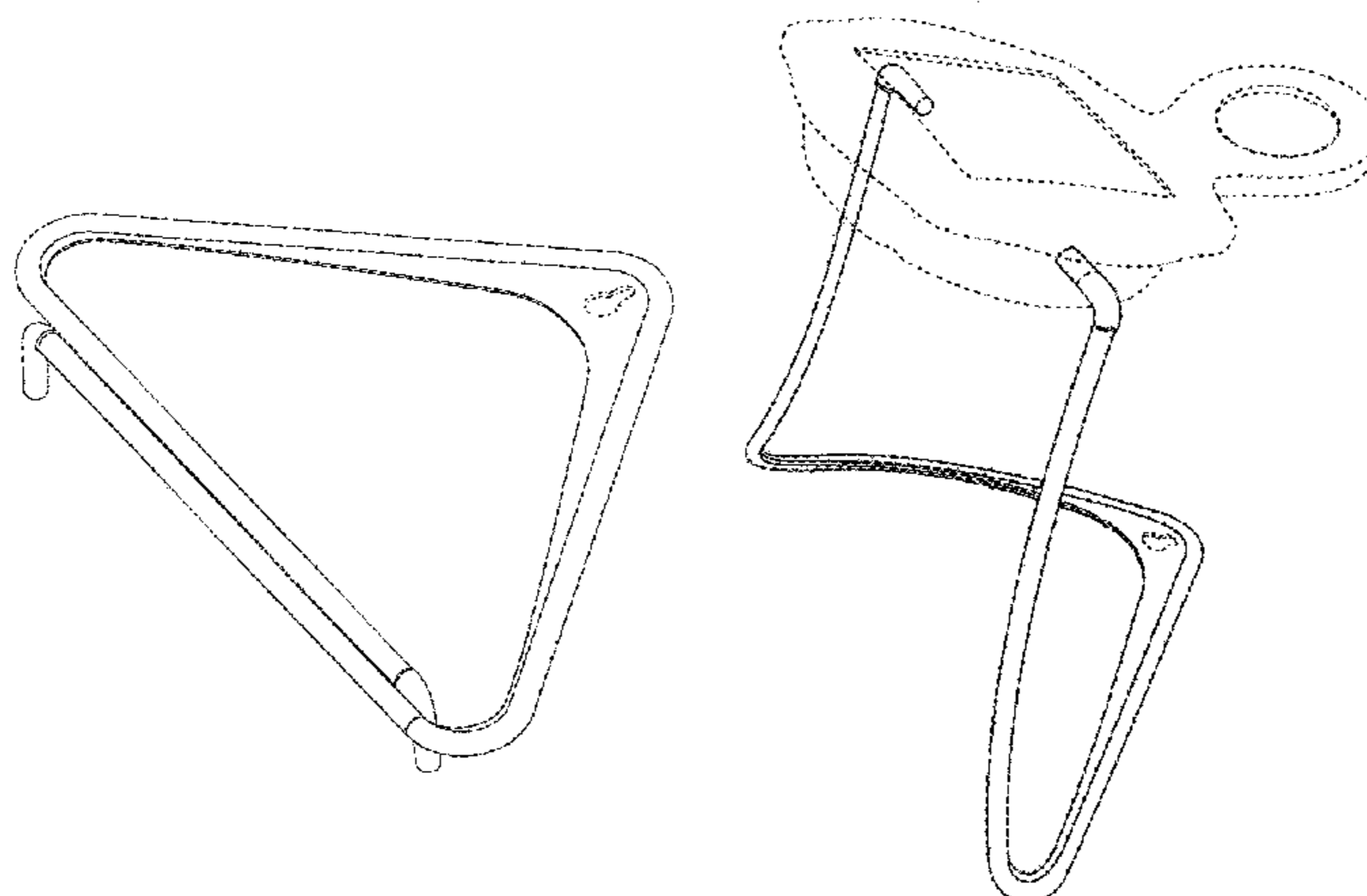
FIG. 12 is a bottom plan view of the flexible stand in the extended position;

FIG. 13 is a left side elevational view of the flexible stand in the extended position; and,

FIG. 14 is a right side elevational view of the flexible stand in the extended position.

The broken line showing of an opening in the flexible stand is for the purpose of illustrating portions of the article and forms no part of the claim. The broken line showing of an object being supported by the flexible stand in FIGS. 8-14 is for the purpose of illustrating environmental structure and forms no part of the claimed design.

1 Claim, 12 Drawing Sheets



(58) Field of Classification Search

USPC D6/671.2, 655, 705.6, 657, 705, 705.4,
 D6/702, 703, 703.3, 703.6, 675, 675.2,
 D6/705.1; D34/19, 6; D14/205;
 D7/600.1, 600.4, 704, 641; D8/300, 301,
 D8/315, 321, 382; D26/113, 138
 CPC A47B 9/04; A47B 17/04; A47B 67/00;
 A47B 67/04; A47B 88/04; A47B 88/00;
 A47B 88/0044; A47B 87/00; A47B
 13/08; A47B 43/00; A47B 45/00; A47B
 47/03; A47B 47/02; A47B 47/021; A47B
 96/14; A47B 23/007; A47B 23/06; A47B
 2097/006; A47B 21/045; A45C 2011/002;
 A47F 5/0018; A47F 5/0031; A47F 5/01;
 F16B 7/00; F16B 7/04; F16B 7/12; F16B
 12/02; F16B 12/04; F21V 21/14; F16M
 11/00; F16M 11/40; F16M 11/04; A61B
 17/10; A63B 55/06; A63B 55/10; A63B
 69/3608; H04R 1/10; B05B 13/02; B05B
 13/0285; F41A 23/02; F41A 23/14; F41A
 23/16; F21S 6/002; G09F 1/14; G09F
 23/0066; G09F 15/0062

See application file for complete search history.

(56)

References Cited

U.S. PATENT DOCUMENTS

6,641,668	B1 *	11/2003	Edgerton	B05B 13/0285 118/500
6,857,970	B2 *	2/2005	Robbins	A63B 69/3608 473/201
6,875,277	B1 *	4/2005	Edgerton	B05B 13/0285 118/500
D557,684	S *	12/2007	Pundsack	D14/205
D706,560	S *	6/2014	Stacks	D6/682
D707,475	S *	6/2014	Triato	D6/682.3
8,955,247	B2 *	2/2015	Sargent	F41A 23/02 248/165
9,097,481	B2 *	8/2015	Chaney	F41A 23/14
9,151,562	B1 *	10/2015	Pugliese	F41A 23/14
D745,490	S *	12/2015	Zheng	D14/205
2011/0290683	A1 *	12/2011	High	G09F 23/0066 206/315.7
2013/0112820	A1 *	5/2013	Zarelius	G09F 15/0062 248/158
2014/0326847	A1 *	11/2014	Barr	F16M 11/40 248/455
2016/0215964	A1 *	7/2016	Feit	F21S 6/002

* cited by examiner

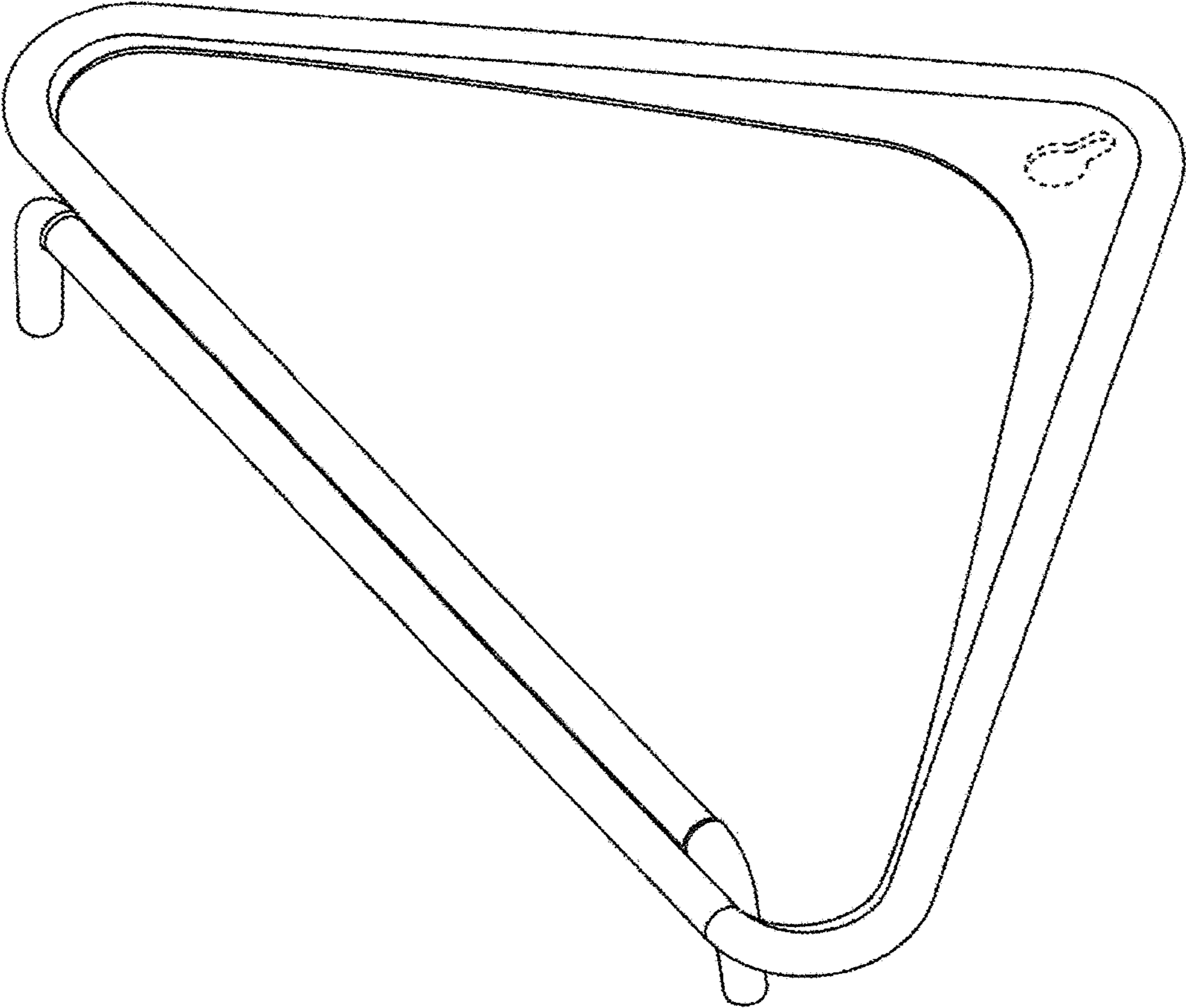


Figure 1

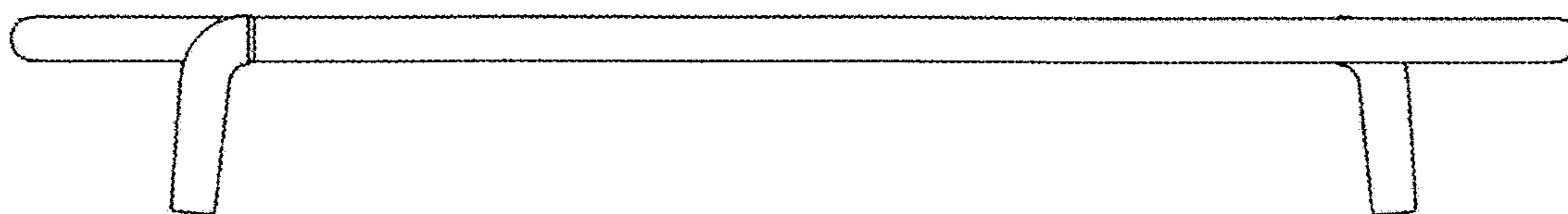


Figure 2

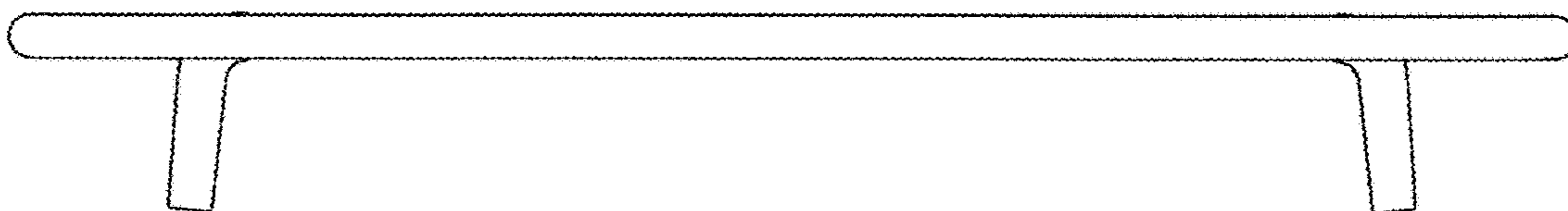


Figure 3

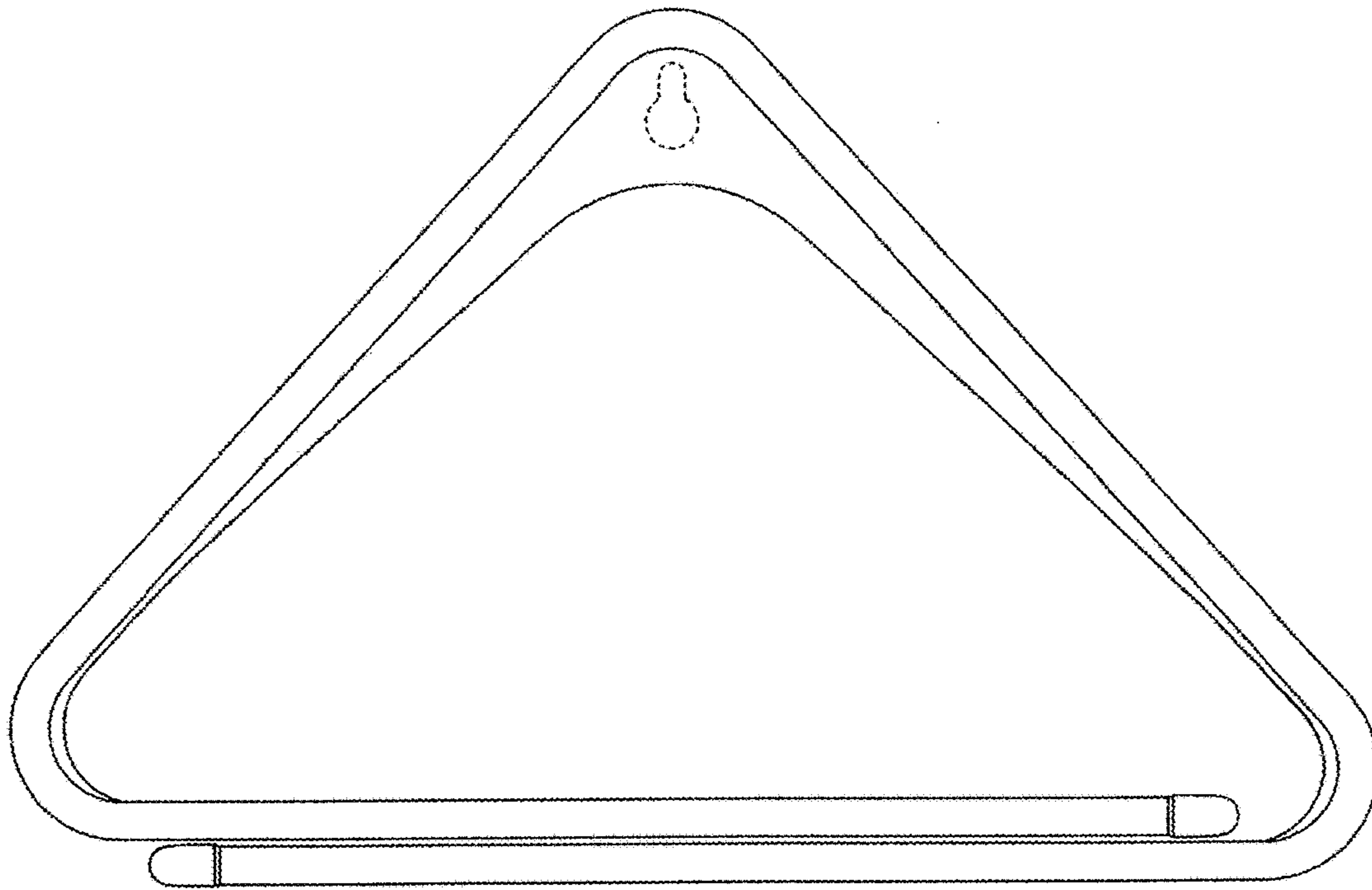


Figure 4

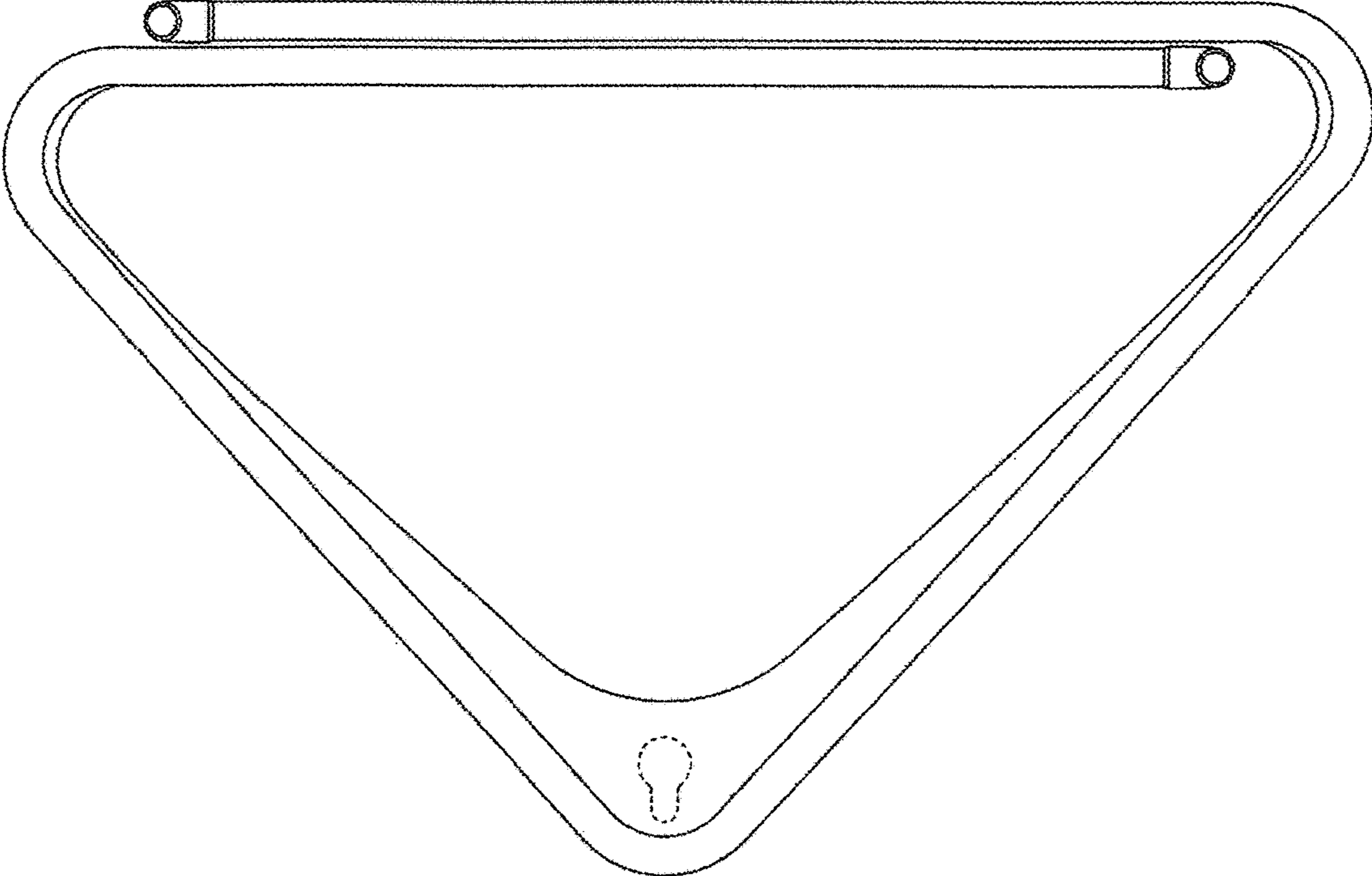


Figure 5

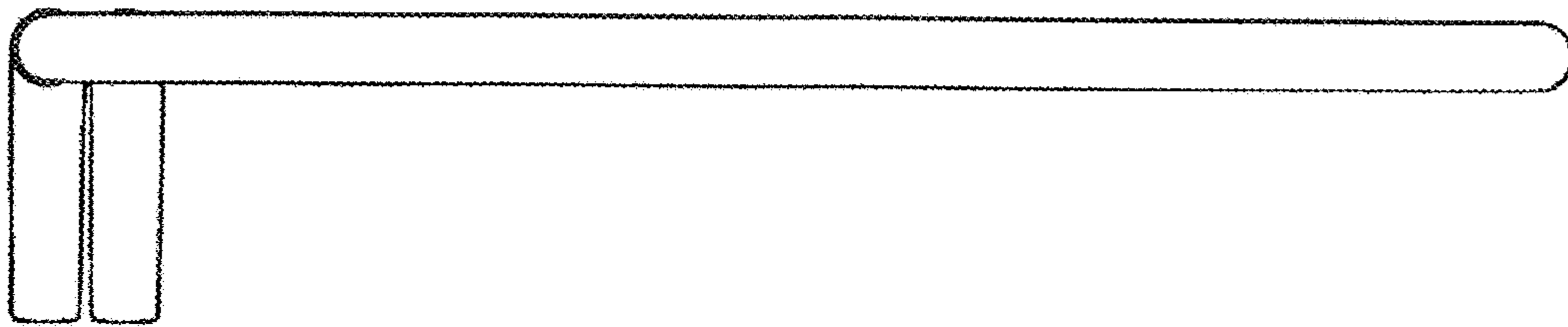


Figure 6

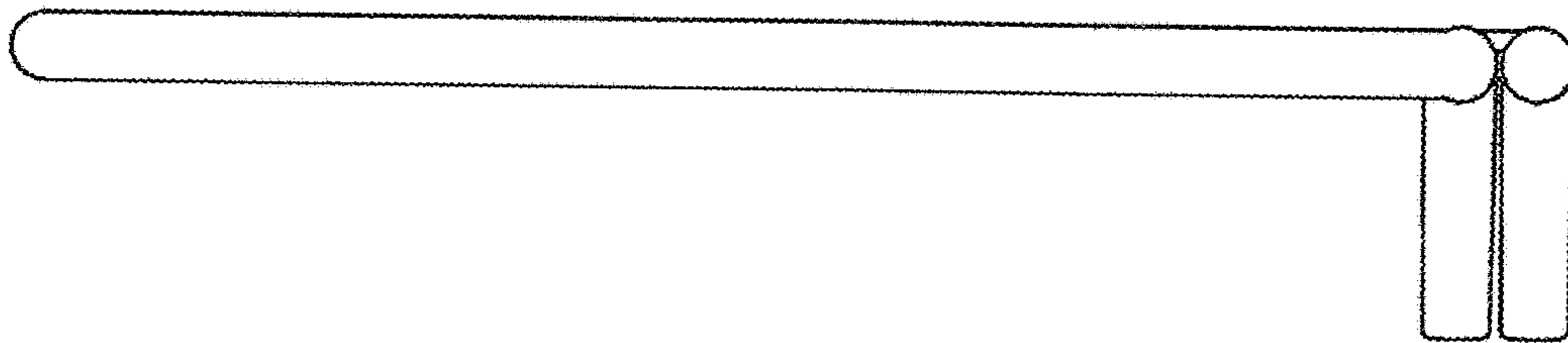


Figure 7

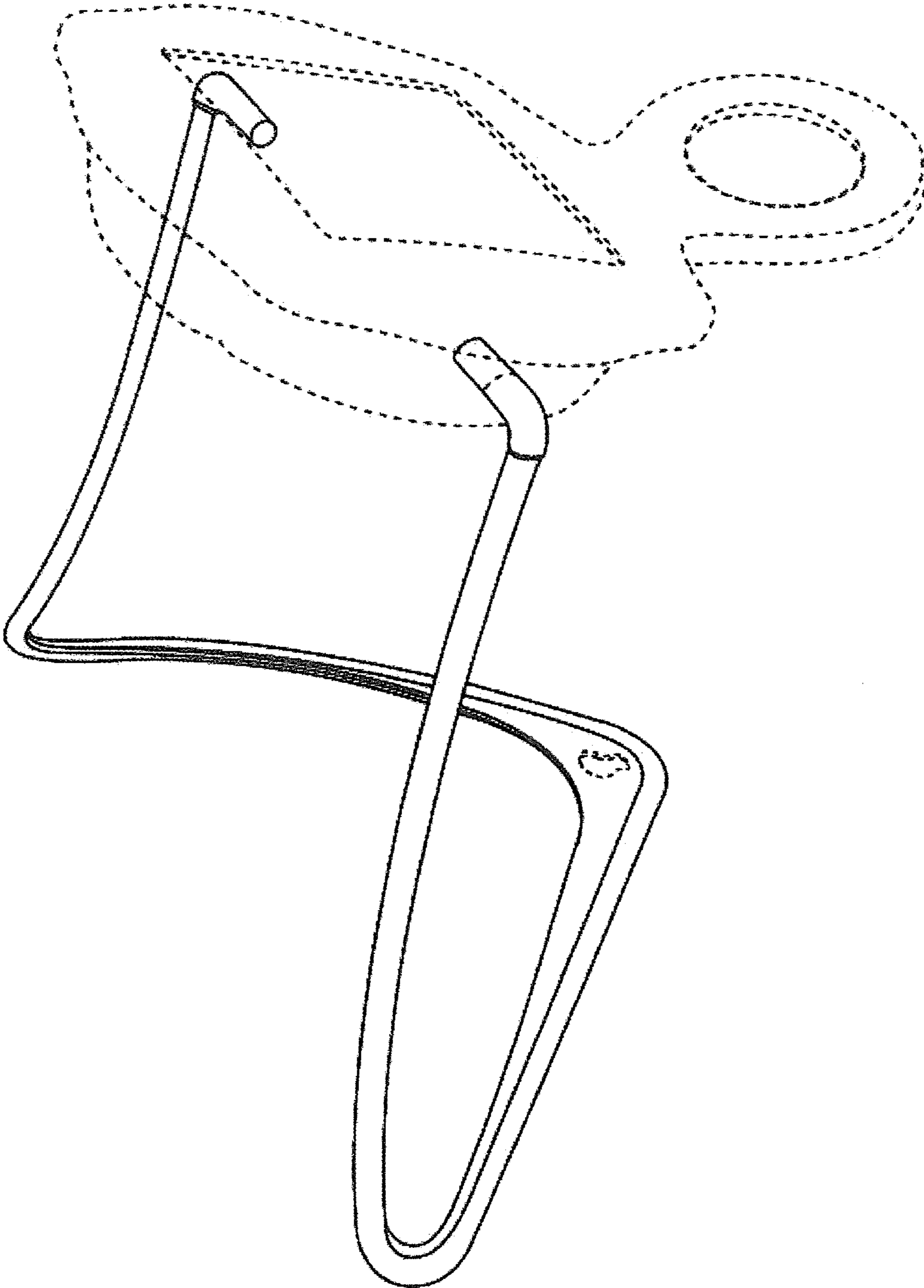


Figure 8

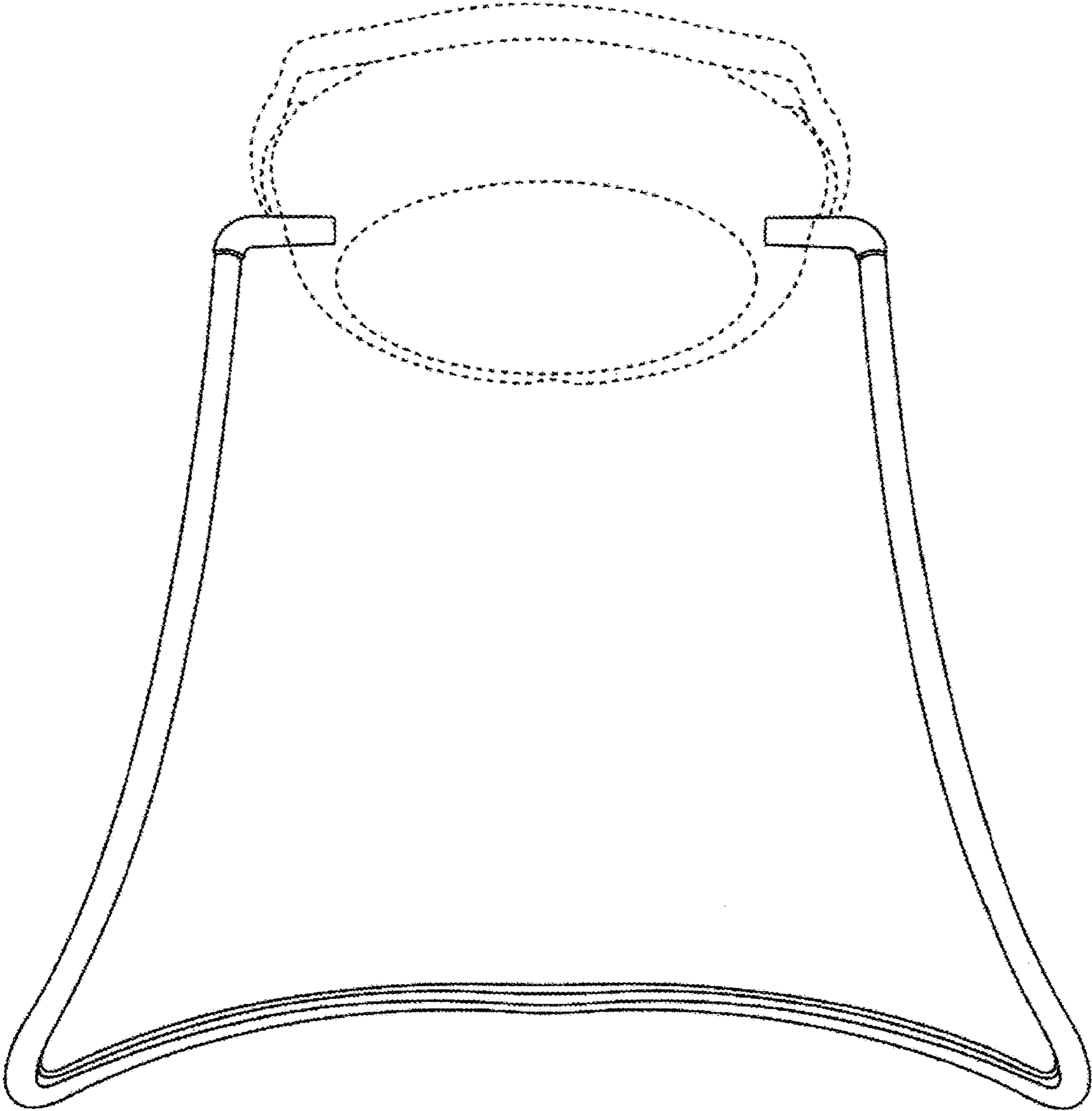


Figure 9

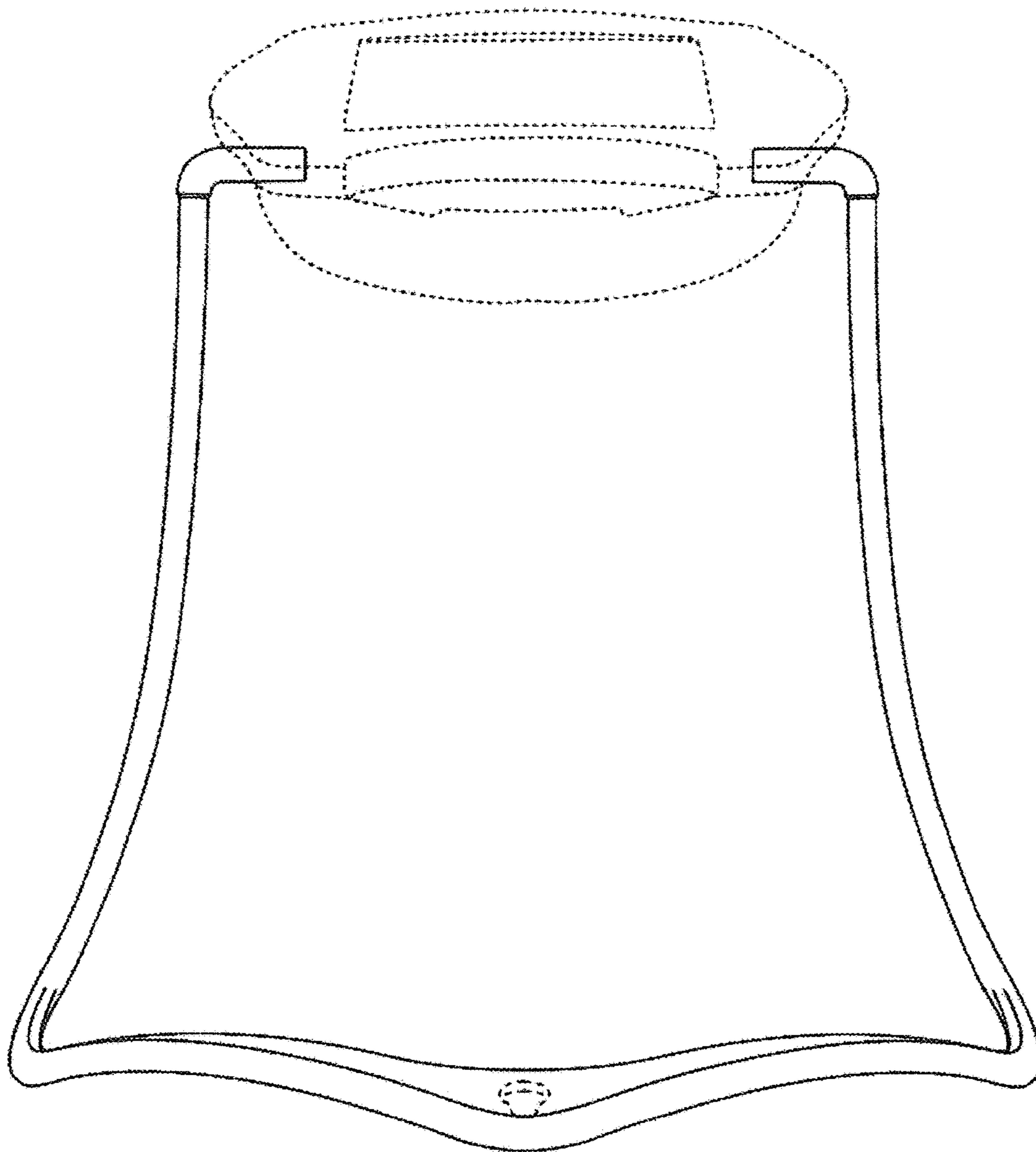


Figure 10

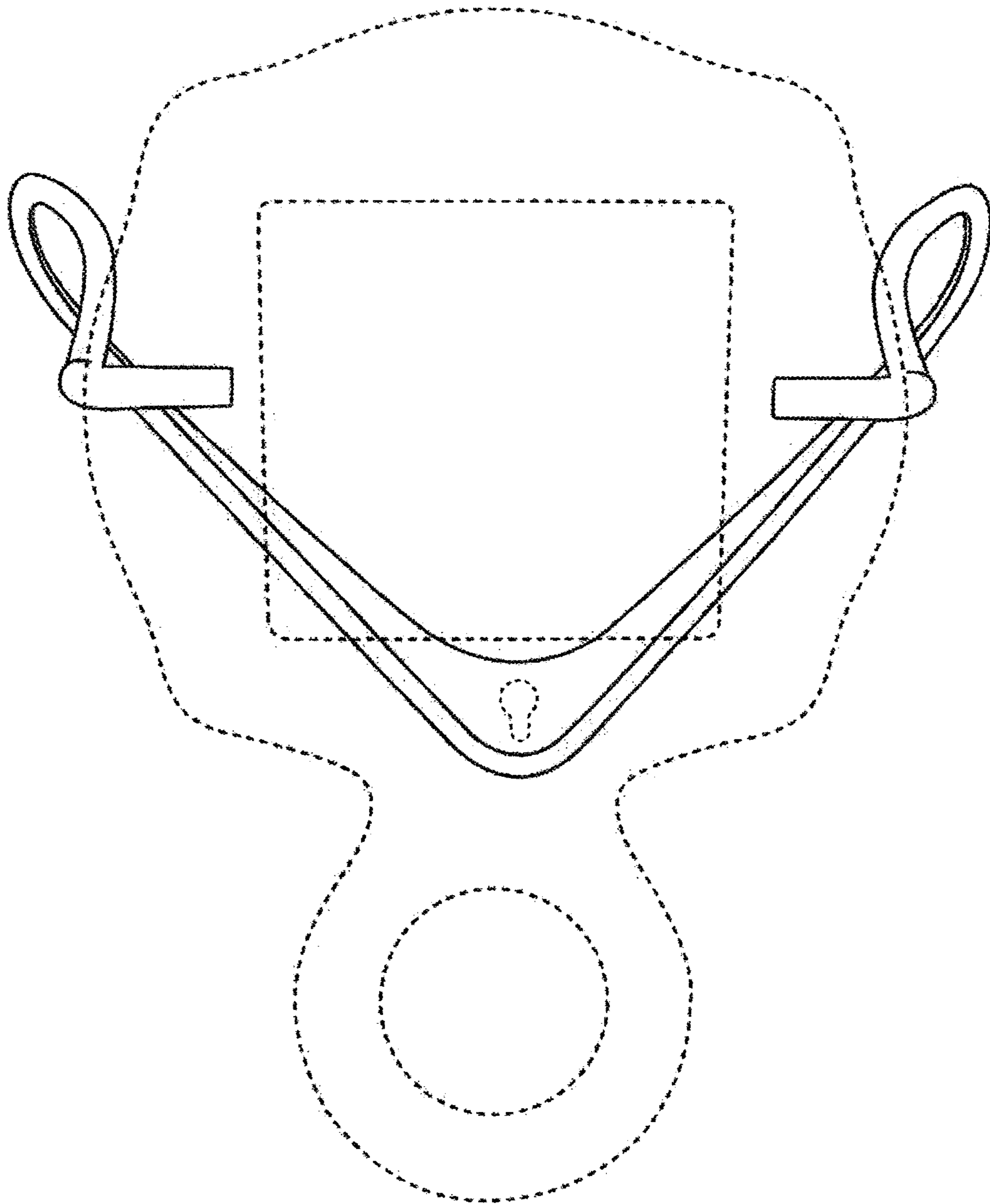


Figure 11

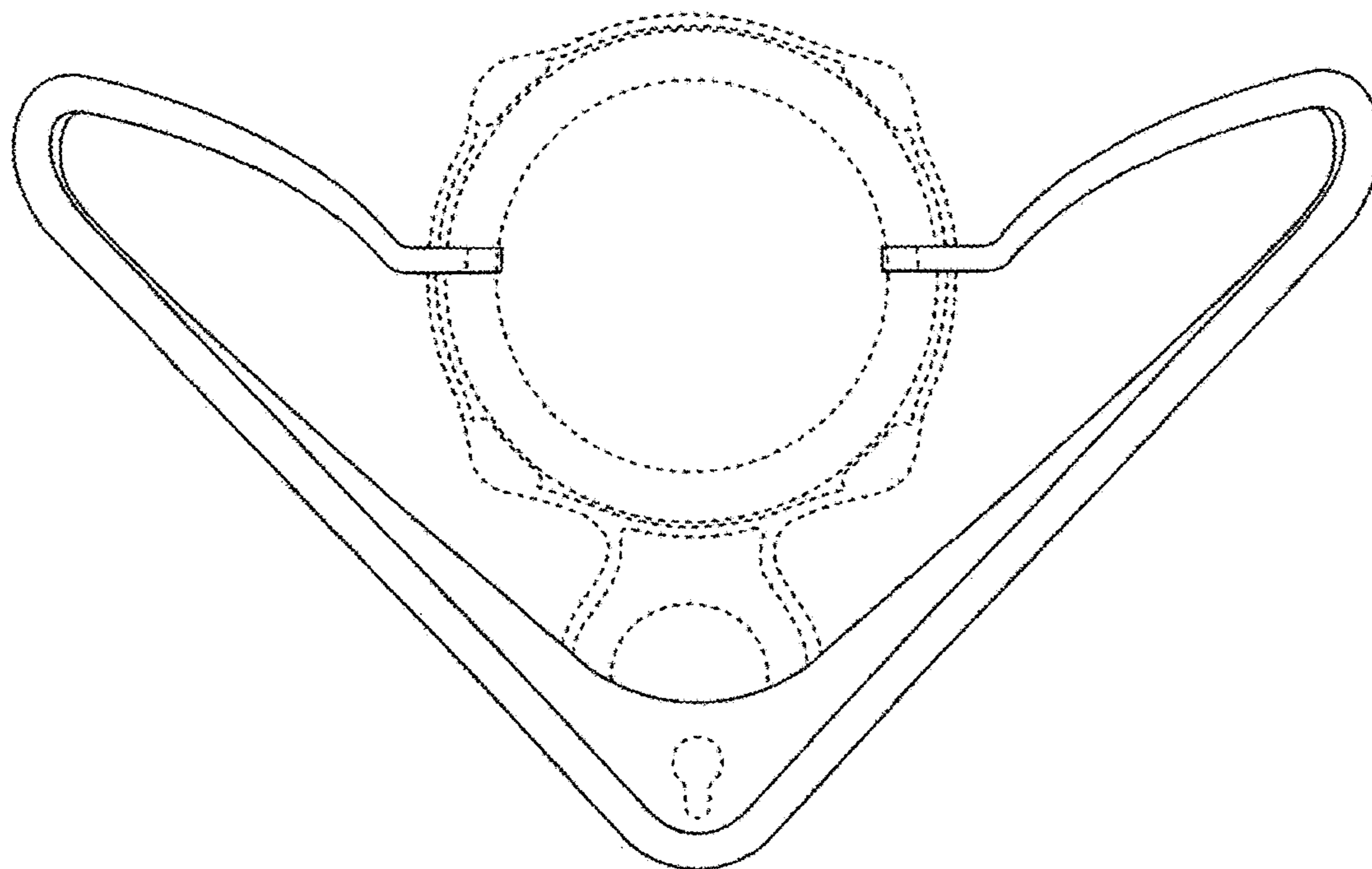


Figure 12

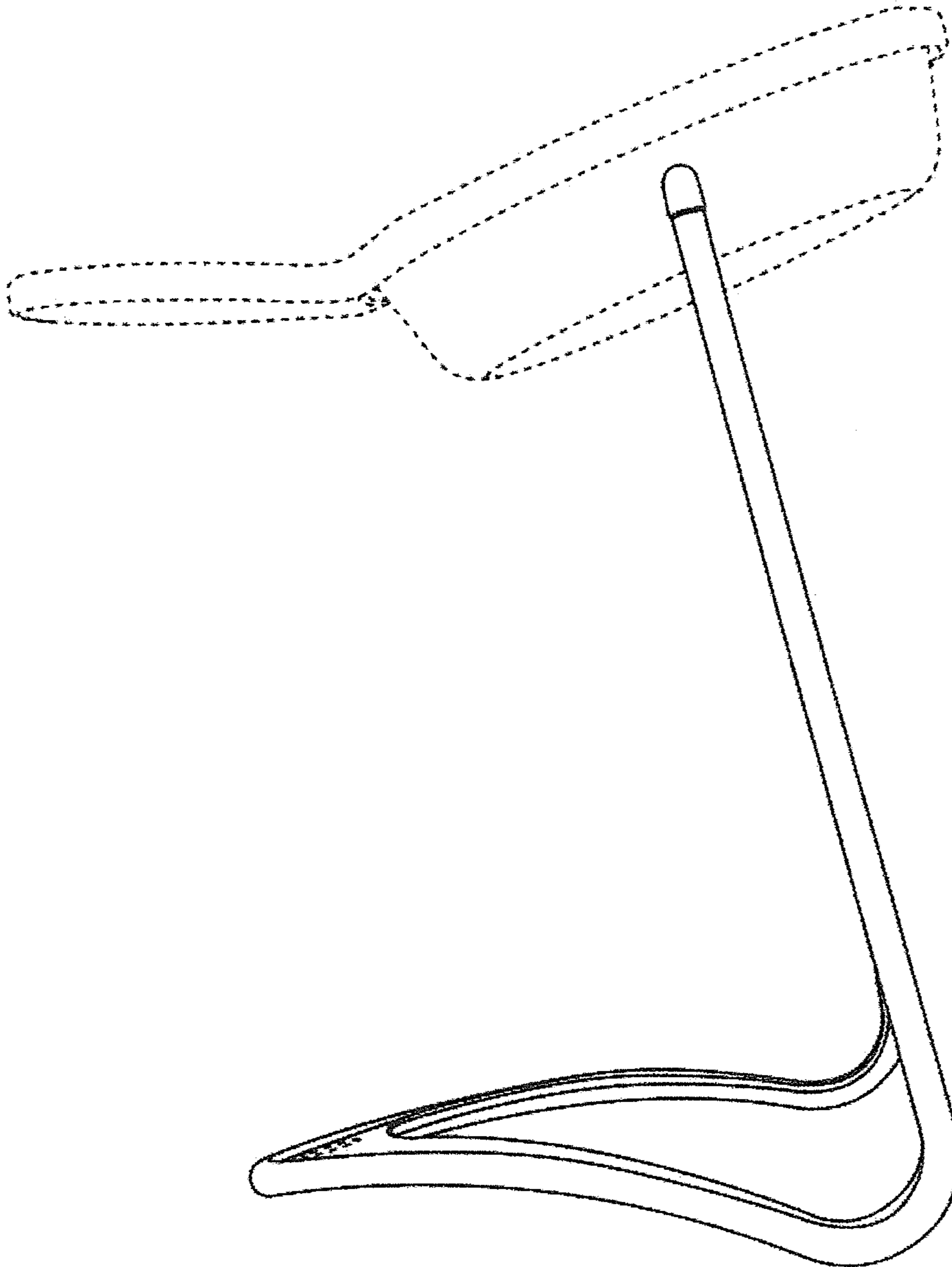


Figure 13

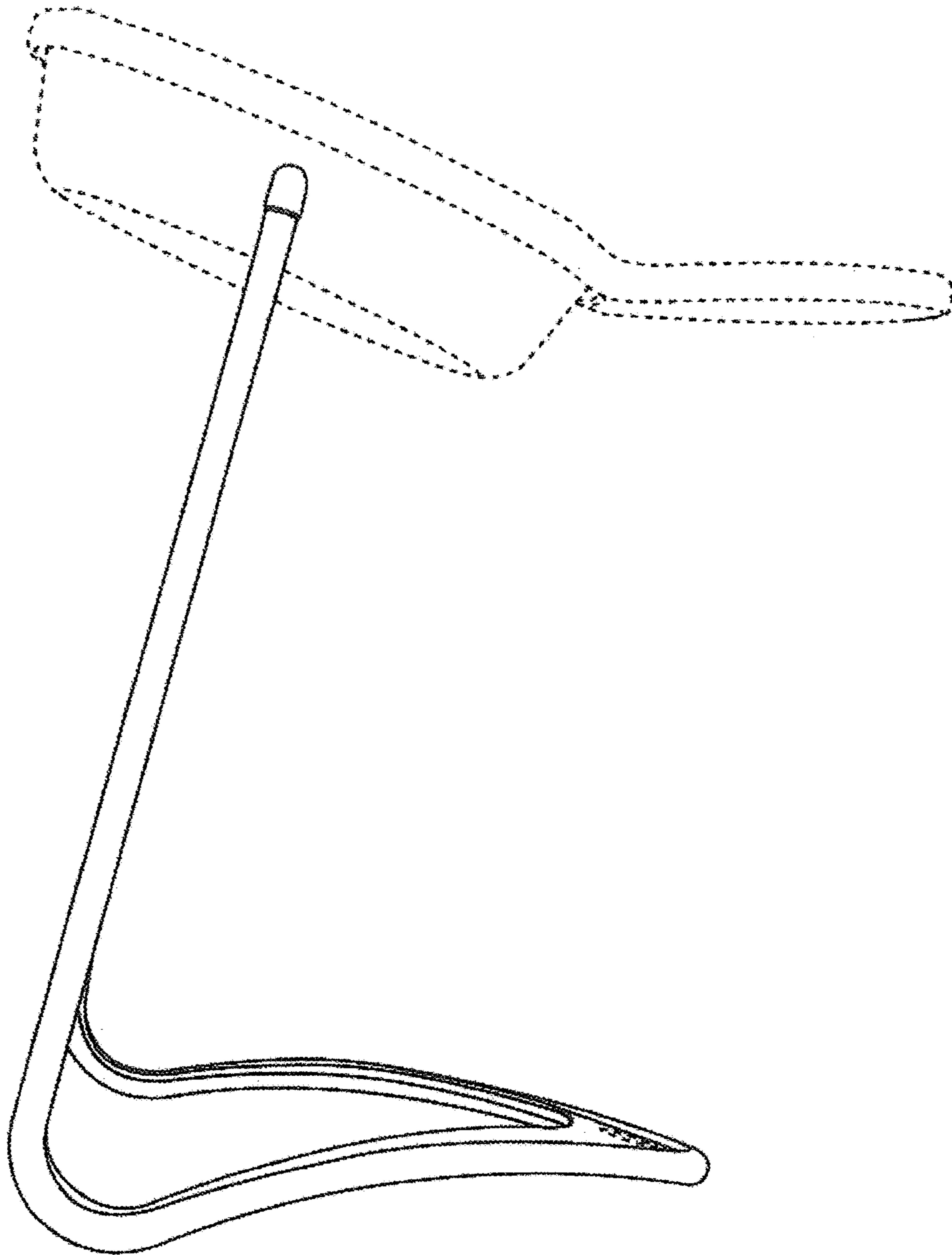


Figure 14