



US00D782233S

(12) **United States Design Patent** (10) **Patent No.:** **US D782,233 S**
Jackson (45) **Date of Patent:** **** Mar. 28, 2017**

(54) **DIVIDER**
(71) Applicant: **HOME DEPOT PRODUCT AUTHORITY, LLC**, Atlanta, GA (US)
(72) Inventor: **Nicholas Jackson**, Atlanta, GA (US)
(73) Assignee: **Home Depot Product Authority, LLC**, Atlanta, GA (US)
(**) Term: **14 Years**
(21) Appl. No.: **29/517,751**

2,214,042 A	9/1940	Burdick	220/553
2,268,637 A	1/1942	Bernstein	217/31
2,459,561 A	1/1949	Yawman	220/529
2,504,466 A	4/1950	Stolzoff	211/11
2,640,621 A	6/1953	Mokin	220/674
2,681,730 A	6/1954	Carne	206/0.83
2,743,774 A	5/1956	Pinto	160/351
2,747,959 A	5/1956	Ingelson	312/140.3
2,824,349 A	2/1958	Baldacci	217/24
3,067,903 A	12/1962	Jones, Jr.	220/552
3,140,791 A	7/1964	Reiss, Sr. et al.	217/7
3,279,642 A	10/1966	Kafferlin	220/544
3,410,445 A	11/1968	Pilley	220/533
3,680,177 A	8/1972	Ginsberg	220/533

(Continued)

(22) Filed: **Feb. 16, 2015**
(51) **LOC (10) Cl.** **06-04**
(52) **U.S. Cl.**
USPC **D6/706**
(58) **Field of Classification Search**
USPC D6/706, 705.7, 705.2, 682.4, 678.2;
D7/550.1, 553.1, 553.2; 211/59.4, 59.2
CPC A47B 45/00; A47F 1/00; B65D 21/08;
B65D 81/3813; B65D 87/0276; B65B
1/34
See application file for complete search history.

OTHER PUBLICATIONS

U.S. Appl. No. 29/517,731, filed Feb. 16, 2015, Jackson.
(Continued)

Primary Examiner — Rosemary K Tarcza
Assistant Examiner — James Thorn, Sr.
(74) *Attorney, Agent, or Firm* — Greenberg Traurig, LLP

(57) **CLAIM**

The ornamental design for a divider, as shown and described.

(56) **References Cited**

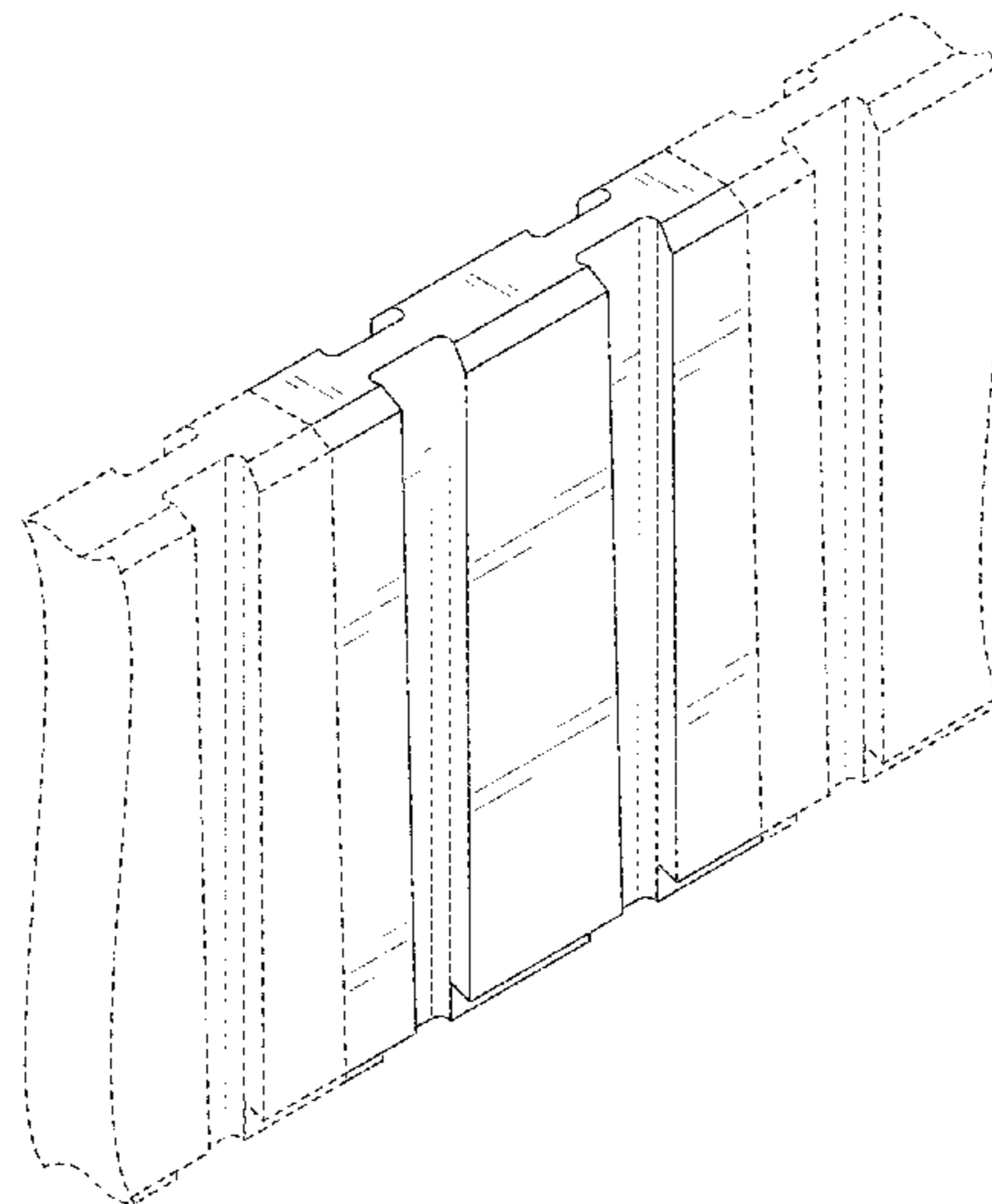
U.S. PATENT DOCUMENTS

1,549,279 A	8/1925	Taussig	312/140
1,620,737 A	3/1927	Peterson	217/24
1,676,373 A	7/1928	Woltz	403/283
1,677,544 A	7/1928	Brainard et al.	312/117
1,747,390 A	2/1930	Robb	217/23
1,823,285 A	9/1931	Petritsch	220/532
1,940,048 A	12/1932	Cutler	312/304
1,893,186 A	1/1933	Thomas, Jr. et al.	312/304
1,919,568 A	7/1933	McCosh	220/529
2,082,667 A	6/1937	Vanderveld	403/345
2,101,378 A	12/1937	Wiskoff	220/532
2,144,804 A	1/1939	Irwin et al.	217/7
2,148,681 A	2/1939	Cameron	220/551

DESCRIPTION

FIG. 1 is a perspective view of a divider showing my new design;
FIG. 2 is a left side view thereof;
FIG. 3 is a right side view thereof;
FIG. 4 is a top view thereof; and,
FIG. 5 is a bottom view thereof.
The dashed lines that border my design are boundary lines for my design. All other dashed lines in the figures represent environmental structure that forms no part of the claimed design.

1 Claim, 5 Drawing Sheets



(56)

References Cited

U.S. PATENT DOCUMENTS

3,710,974 A 1/1973 Hage 220/541
 3,892,451 A 7/1975 Bruins 312/348.3
 3,954,202 A 5/1976 Petrick 220/533
 4,081,100 A 3/1978 Presby 220/544
 4,258,856 A 3/1981 Marling 220/552
 D259,395 S 6/1981 Sugawara
 4,478,337 A * 10/1984 Flum A47F 1/12
 206/564
 4,648,524 A 3/1987 Ackermann 220/507
 4,889,253 A 12/1989 Schmulian et al. 220/551
 4,899,928 A 2/1990 Korff 229/120.36
 5,242,223 A 9/1993 Koves 312/348.3
 5,292,571 A 3/1994 Quinn 428/178
 5,489,148 A 2/1996 Grass 312/348.2
 5,553,710 A 9/1996 Takama 206/561
 5,607,215 A 3/1997 Pacetti et al. 312/348.3
 5,664,856 A 9/1997 Pacetti 312/348.3
 5,738,425 A 4/1998 Rosenberg et al. 312/348.3
 5,887,961 A 3/1999 Rosenberg et al. 312/348.3
 D411,070 S * 6/1999 Jongwatana D6/630
 6,073,794 A 6/2000 Bidot 220/529
 D434,637 S 12/2000 Habeck
 D454,749 S * 3/2002 Georgiadis D6/629
 D461,100 S * 8/2002 Poarch D7/553.1
 D467,973 S 12/2002 Rosen
 6,493,917 B1 12/2002 Sunka 29/413
 6,648,138 B1 * 11/2003 Kelly A63B 47/002
 206/315.9
 6,695,419 B2 2/2004 Searer et al. 312/348.3
 D494,394 S * 8/2004 Leong-Son D6/706
 D498,376 S * 11/2004 Christopher D6/629
 6,871,921 B2 3/2005 Ernst 312/348.3
 6,991,307 B2 1/2006 Hoenig 312/348.3
 7,066,563 B2 6/2006 Berger 312/348.3
 7,163,118 B2 1/2007 Cheng 220/528
 7,172,258 B2 2/2007 Bisson et al. 312/348.3
 D545,906 S 7/2007 Wood
 D569,230 S 5/2008 Terada
 D569,231 S 5/2008 Terada
 7,380,894 B2 6/2008 Berger 312/348.3
 D631,737 S 2/2011 Haas
 D631,738 S 2/2011 Haas
 D647,496 S 10/2011 Tung
 D650,004 S 12/2011 Lawing
 D653,075 S * 1/2012 Lupkes D7/359
 D660,085 S * 5/2012 Boone D7/553.2
 D660,650 S * 5/2012 Moore D7/553.2
 8,167,150 B2 5/2012 Chu 211/184
 8,317,040 B2 11/2012 Lanning 211/184
 D673,391 S * 1/2013 Whitehead D6/682.4
 D676,711 S * 2/2013 Toufayan D7/553.2
 8,397,937 B2 3/2013 Preschke et al. 220/529

D679,952 S * 4/2013 Holding D7/550.1
 D681,441 S 5/2013 Tung
 D696,099 S 12/2013 Wada
 D696,100 S 12/2013 Wada
 D702,998 S * 4/2014 Fugere D7/409
 D705,585 S * 5/2014 Kim D6/705.7
 8,739,453 B1 6/2014 Conner
 8,833,881 B2 9/2014 Manniso et al. 312/348.3
 D715,859 S 10/2014 Costas
 D731,991 S 6/2015 Berdud-Teruel
 D732,864 S * 6/2015 Clouse D6/705.7
 D755,892 S 5/2016 Costas
 D758,170 S 6/2016 Weber
 D759,605 S 6/2016 Kimble
 D761,602 S * 7/2016 Standlee D6/682.4
 2002/0171344 A1 11/2002 Hollenstein 312/348.3
 2003/0052582 A1 3/2003 Searer et al. 312/348.3
 2003/0137227 A1 7/2003 Hoenig 312/348.3
 2003/0164665 A1 9/2003 Guay et al. 312/348.3
 2003/0184199 A1 10/2003 Jananji 312/348.3
 2004/0144789 A1 7/2004 Cheng 220/529
 2004/0145287 A1 7/2004 Ernst 312/348.3
 2004/0149758 A1 8/2004 Duquette 220/520
 2004/0155564 A1 8/2004 Berger et al. 312/348.3
 2005/0067928 A1 3/2005 Berger et al. 312/348.3
 2005/0072785 A1 4/2005 Cheng 220/528
 2005/0218763 A1 10/2005 Bisson et al. 312/348.1
 2007/0125357 A1 * 6/2007 Johnston A47J 37/0694
 126/41 R
 2007/0246471 A1 10/2007 Hrovat 220/533
 2007/0273258 A1 11/2007 Ernst 312/348.3
 2008/0185387 A1 8/2008 Wu 220/510
 2008/0258593 A1 10/2008 Berger 312/348.3
 2008/0295976 A1 12/2008 Watanabe 160/131
 2009/0250574 A1 10/2009 Fullerton
 2010/0170864 A1 7/2010 Chu 211/184
 2010/0301052 A1 12/2010 Preschke et al. 220/529
 2012/0205335 A1 8/2012 Abdullahi 211/184
 2013/0063013 A1 3/2013 Chen 312/348.3
 2013/0063014 A1 3/2013 Chen 312/348.3
 2013/0082020 A1 4/2013 Denny 211/184
 2013/0336718 A1 12/2013 Jeon
 2014/0202644 A1 7/2014 Maltais 160/184
 2014/0210331 A1 7/2014 Tunzi 312/404
 2015/0359358 A1 * 12/2015 Miller, Jr. A47F 5/005
 211/59.2

OTHER PUBLICATIONS

U.S. Appl. No. 29/517,737, filed Feb. 16, 2015, Jackson.
 U.S. Appl. No. 29/517,742, filed Feb. 16, 2015, Jackson.
 U.S. Appl. No. 29/517,745, filed Feb. 16, 2015, Jackson.
 U.S. Appl. No. 29/517,747, filed Feb. 16, 2015, Jackson.
 U.S. Appl. No. 29/517,749, filed Feb. 16, 2015, Jackson.

* cited by examiner

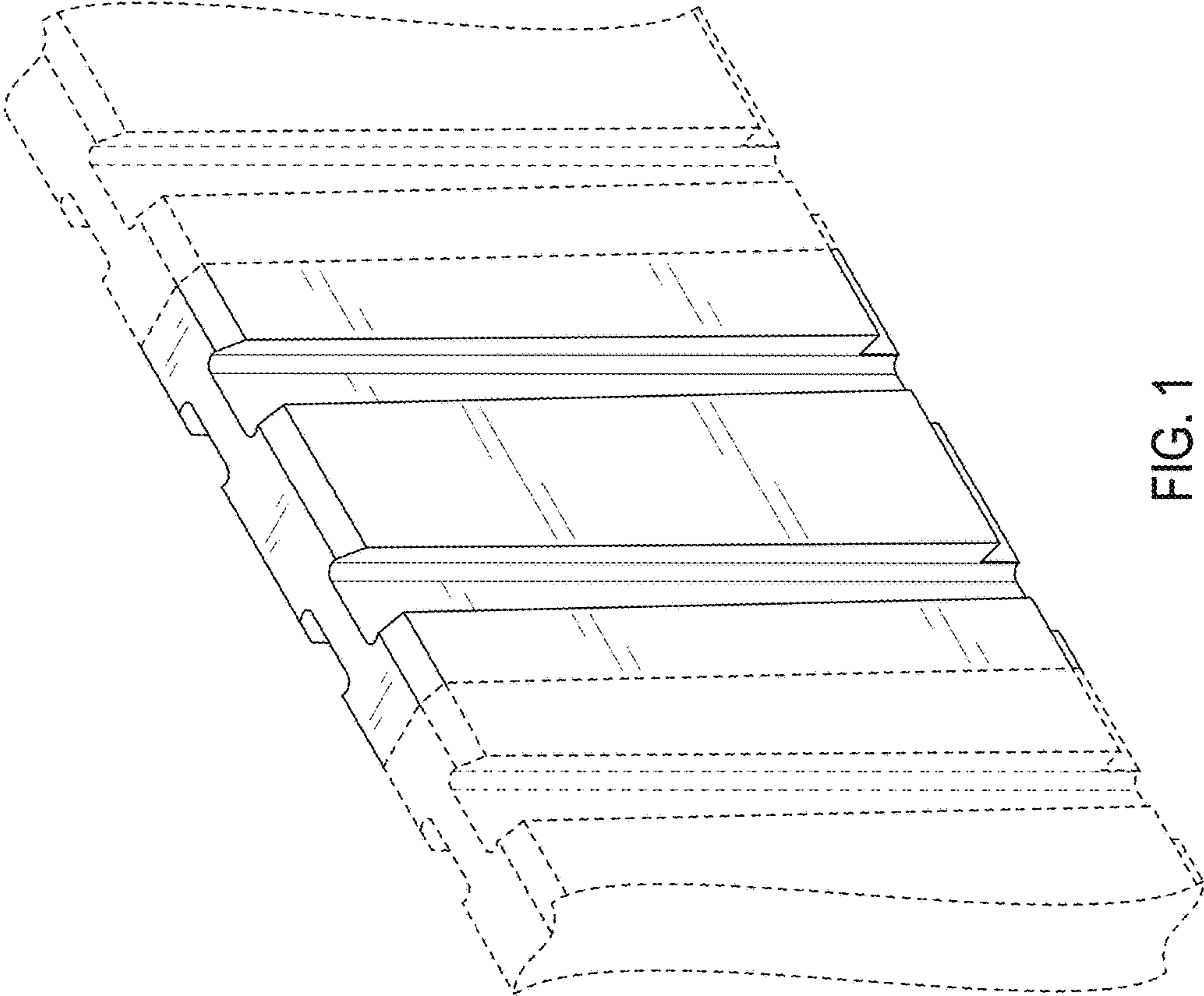


FIG. 1

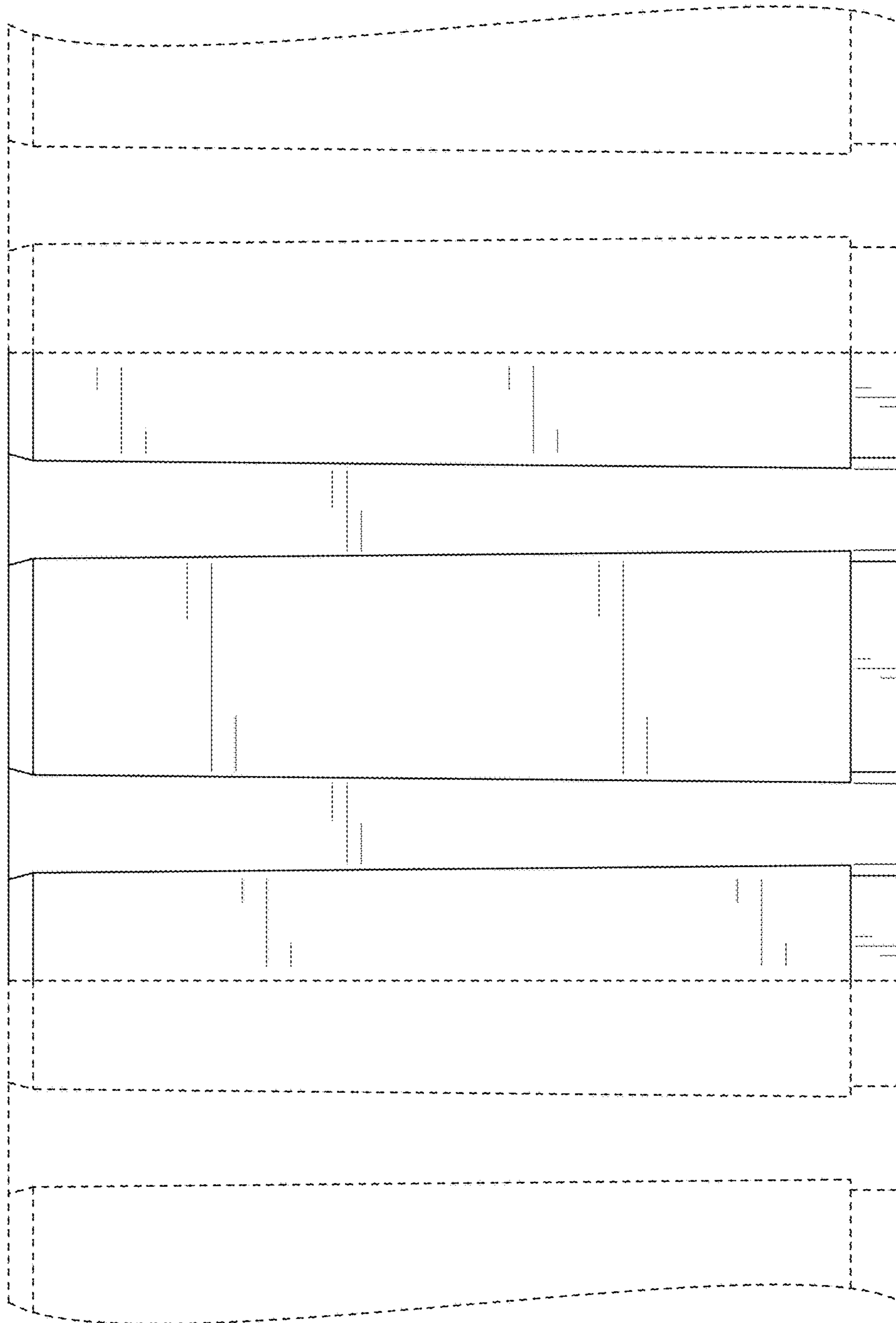


FIG. 2

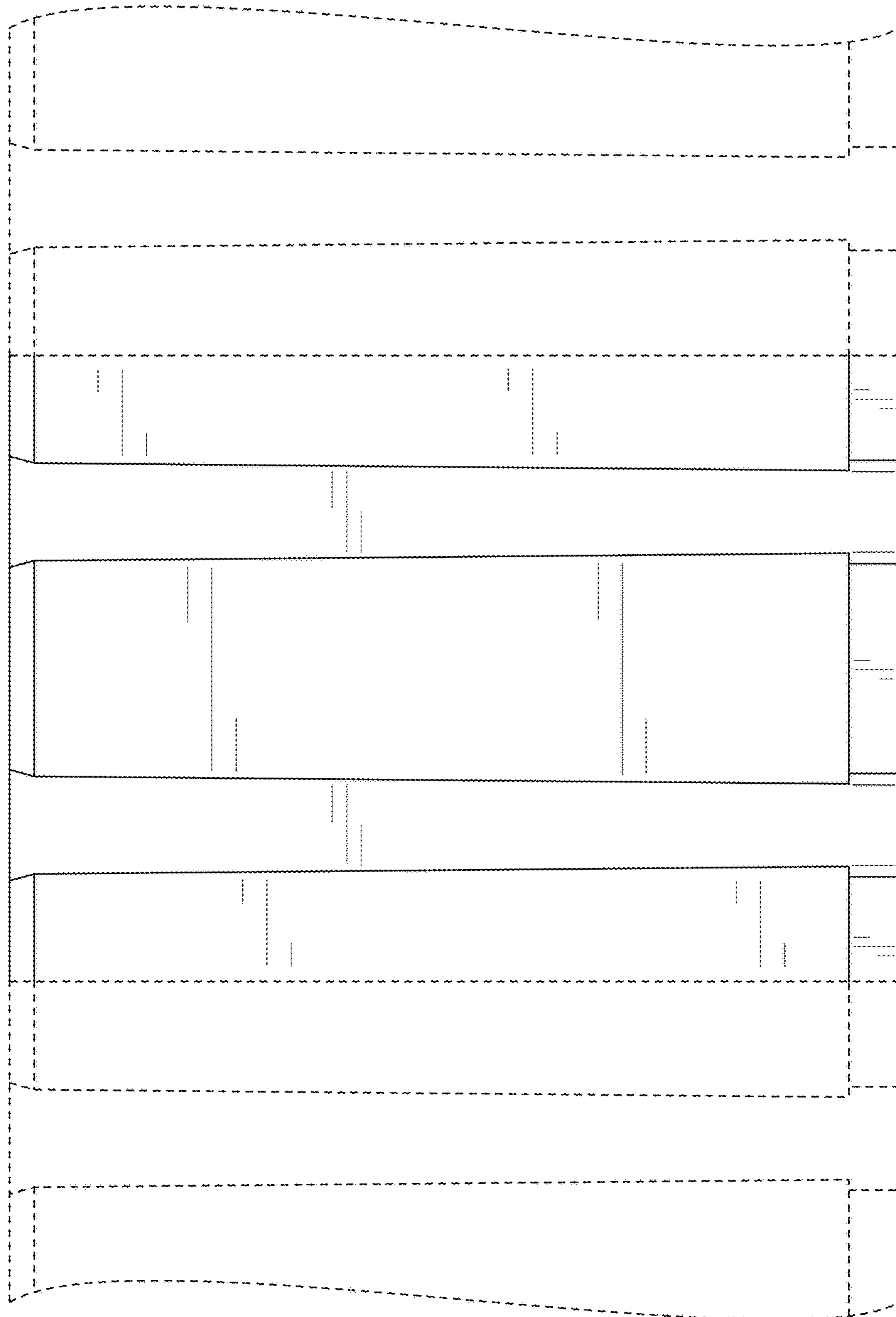


FIG. 3

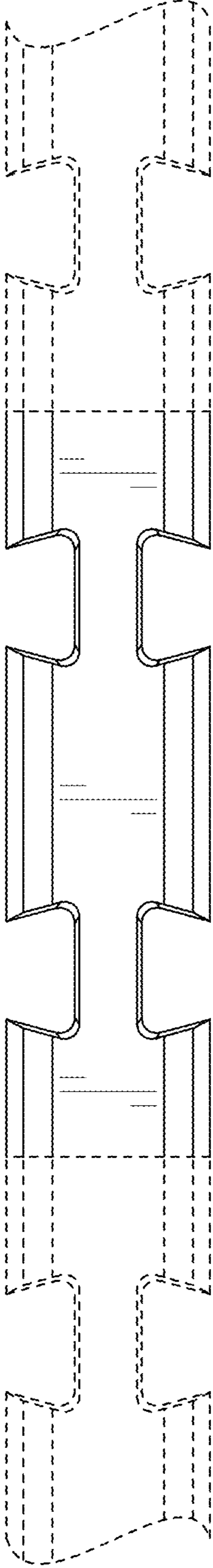


FIG. 4

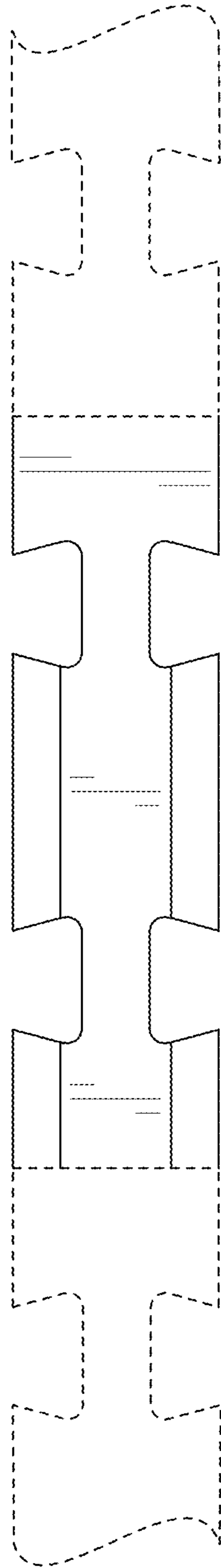


FIG. 5