



US00D782231S

(12) **United States Design Patent** (10) **Patent No.:** **US D782,231 S**
Illy et al. (45) **Date of Patent:** **** Mar. 28, 2017**

(54) **COUNTER**

(71) Applicant: **ILLYCAFFE' S.P.A.**, Trieste (IT)
 (72) Inventors: **Ernesto Illy**, Silvaplana (CH); **Simone Lusina**, Trieste (IT)

(73) Assignee: **ILLYCAFFE' SPA**, Trieste (IT)

(**) Term: **15 Years**

(21) Appl. No.: **35/500,045**

(22) Filed: **Jun. 23, 2015**

(80) **Hague Agreement Data**

Int. Filing Date: **Jun. 23, 2015**
 Int. Reg. No.: **DM/086833**
 Int. Reg. Date: **Jun. 23, 2015**
 Int. Reg. Pub. Date: **Jul. 10, 2015**

(30) **Foreign Application Priority Data**

Dec. 23, 2014 (EM) 001428940-0002

(51) **LOC (10) Cl.** **06-03**

(52) **U.S. Cl.**
USPC **D6/699**

(58) **Field of Classification Search**
 USPC D6/649, 684, 698, 699, 699.1-699.4
 CPC . A47B 41/00; A47B 47/00; A47F 3/00; A47F
 3/0426; A47F 9/00

See application file for complete search history.

(56) **References Cited**

U.S. PATENT DOCUMENTS

D86,953 S *	5/1932	Gray	D6/699
D220,143 S *	3/1971	Perl	D6/699
D261,206 S *	10/1981	Lloyd, Jr.	D6/699.4
D264,285 S *	5/1982	Frederick	D6/698
D360,785 S *	8/1995	Mooslin	D6/699.3
D473,395 S *	4/2003	Silvestrin	D6/699
D490,625 S *	6/2004	Trazzi	D6/699
D684,800 S *	6/2013	Johnson	D6/699
D684,802 S *	6/2013	Johnson	D6/699.2

* cited by examiner

Primary Examiner — Mary Ann Calabrese

(74) *Attorney, Agent, or Firm* — Flaster/Greenberg PC

(57) **CLAIM**

The ornamental design for counter, as shown and described.

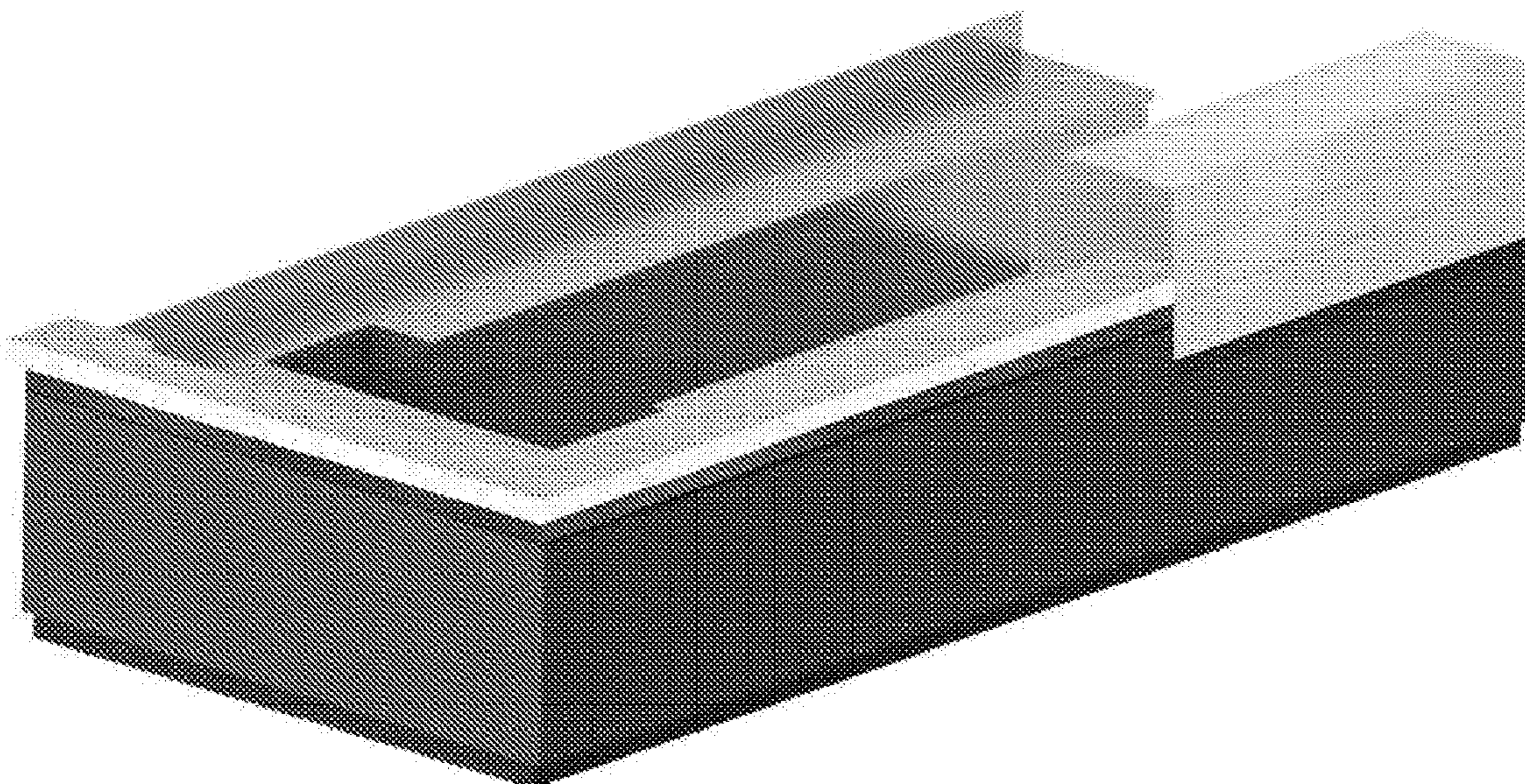
DESCRIPTION

- 1. Counter
- 1.1 : Perspective
- 1.2 : Front
- 1.3 : Back
- 1.4 : Left
- 1.5 : Right
- 1.6 : Top

Counter to be used in commercial businesses for serving food and drinks.

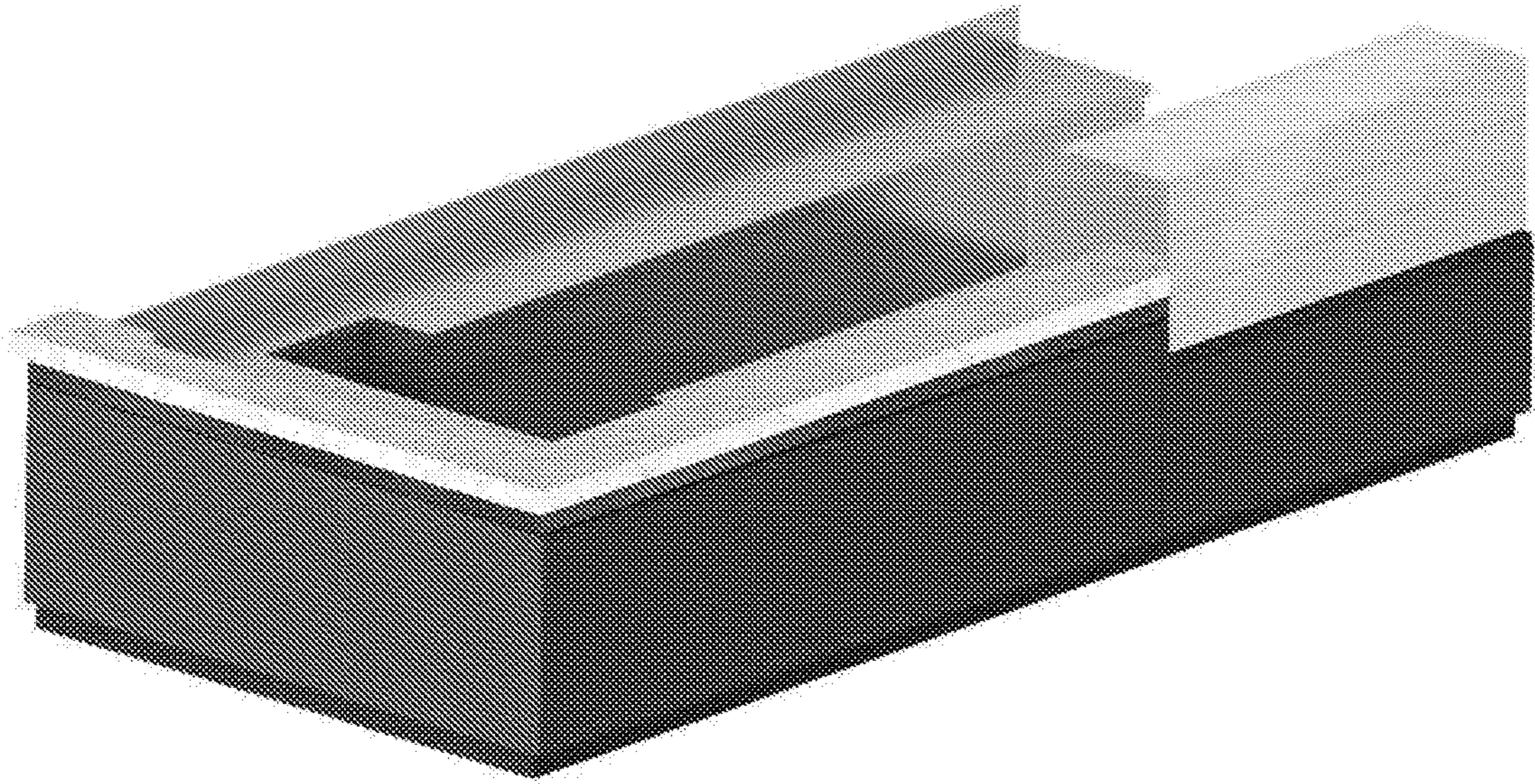
1 Claim, 3 Drawing Sheets

Perspective view



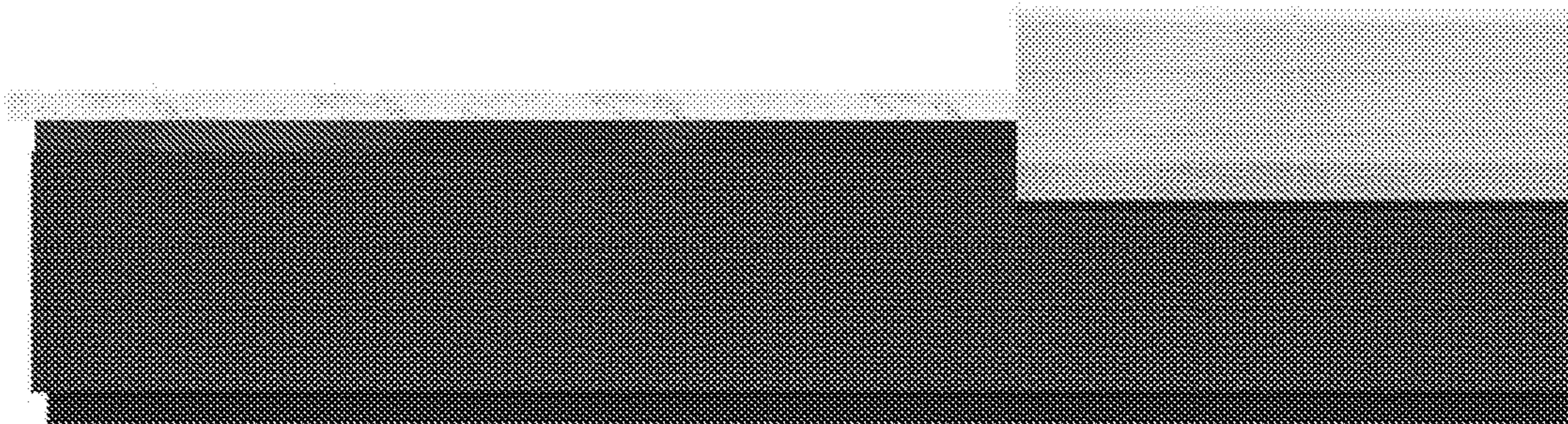
1.1

Perspective view



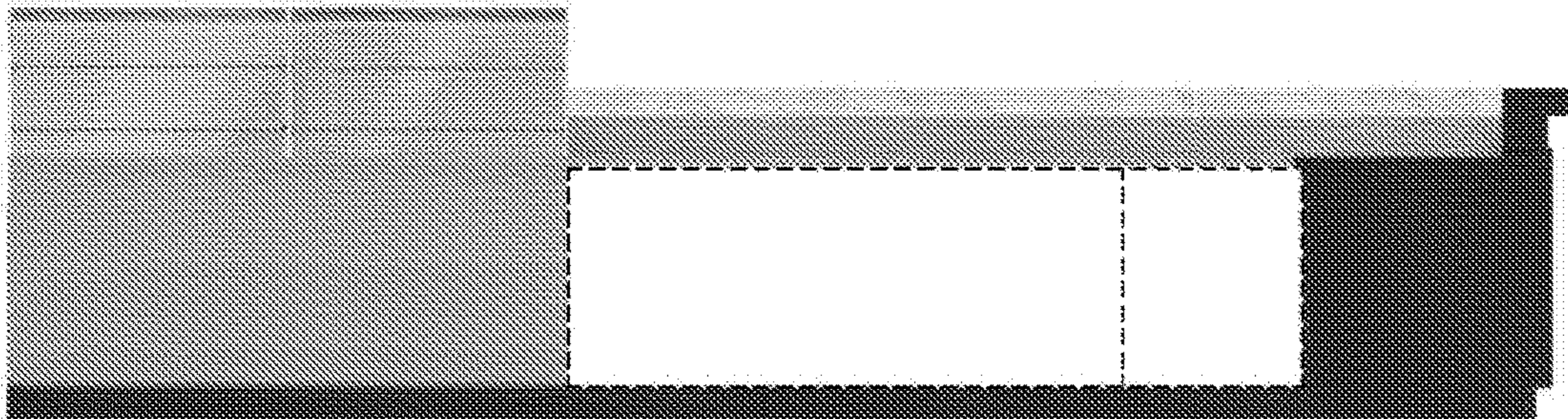
1.2

Front view



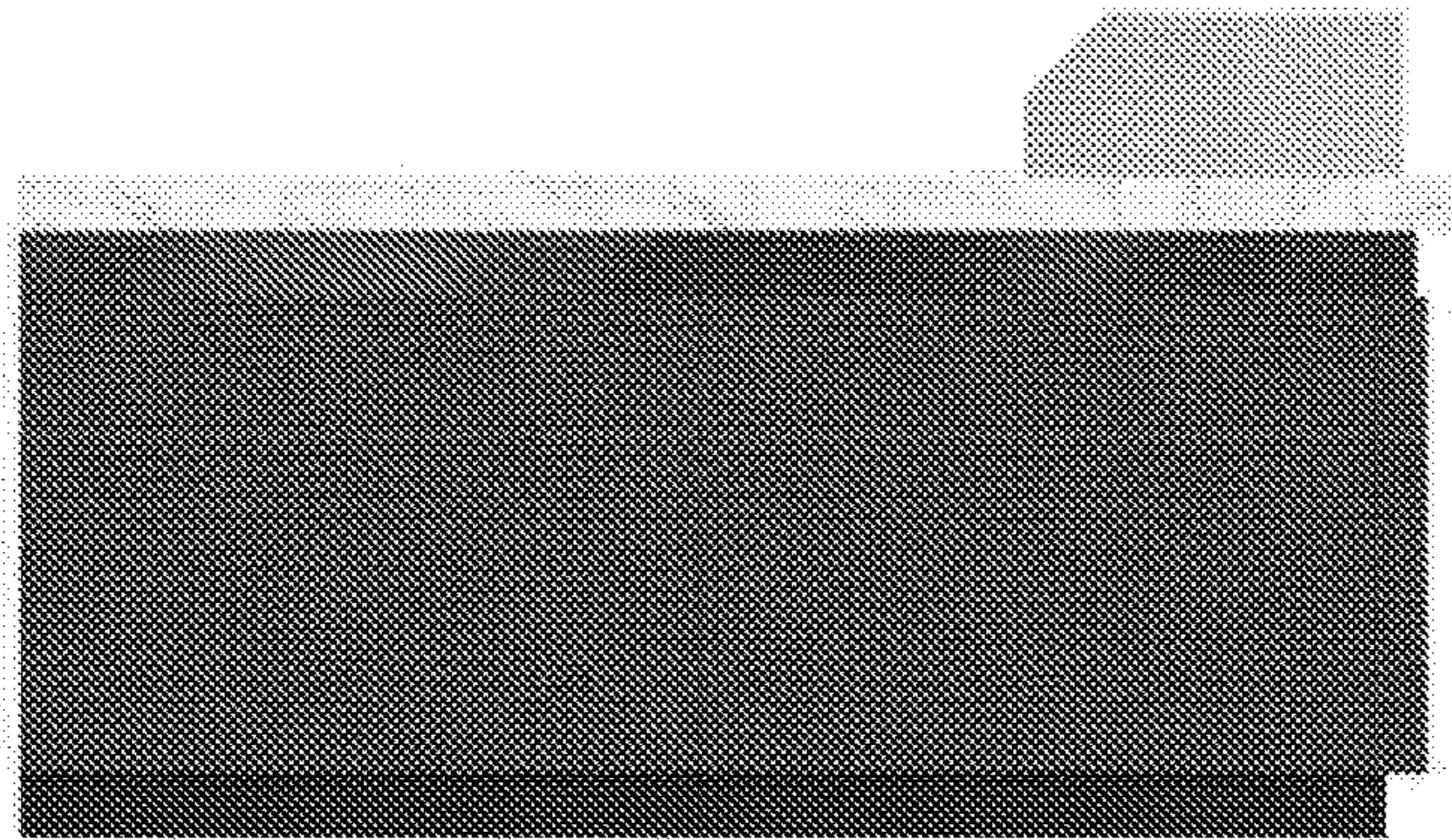
1.3

Back view



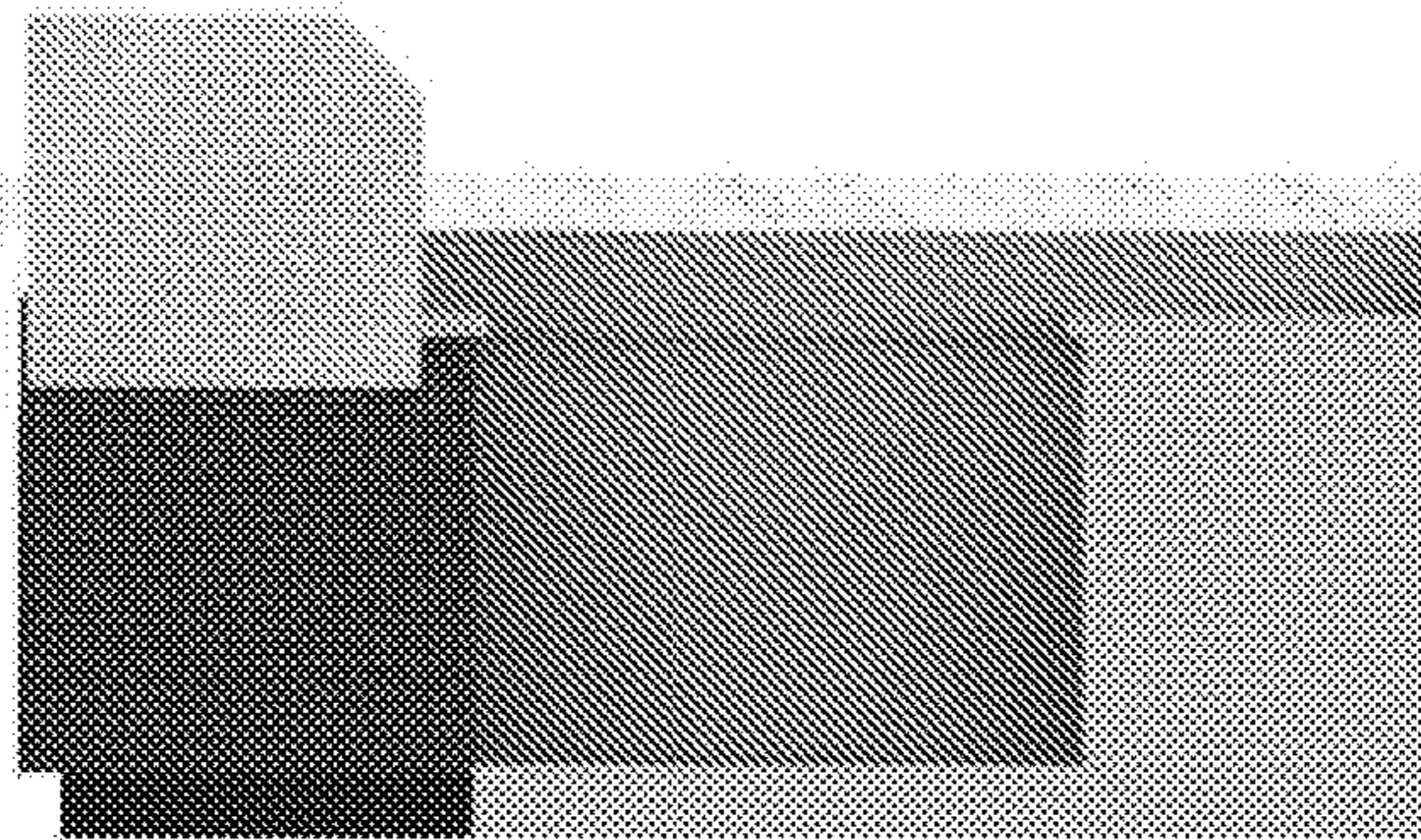
1.4

Left view



1.5

Right view



1.6

Top view

